

US00D759090S

(12) **United States Design Patent**
Paolantonio et al.

(10) **Patent No.:** **US D759,090 S**
(45) **Date of Patent:** **** Jun. 14, 2016**

(54) **DISPLAY SCREEN WITH ANIMATED GRAPHICAL USER INTERFACE**

(71) Applicant: **Microsoft Corporation**, Redmond, WA (US)

(72) Inventors: **Sergio Paolantonio**, Seattle, WA (US);
Matt Peltier, Seattle, WA (US);
Matthew Hartman, Seattle, WA (US)

(73) Assignee: **Microsoft Corporation**, Redmond, WA (US)

(**) Term: **14 Years**

(21) Appl. No.: **29/473,319**

(22) Filed: **Nov. 21, 2013**

(51) **LOC (10) Cl.** **14-04**

(52) **U.S. Cl.**
USPC **D14/488**

(58) **Field of Classification Search**
USPC D14/485-495
CPC G06T 13/00; G06T 13/80; G06F 3/04845
See application file for complete search history.

(56) **References Cited**

U.S. PATENT DOCUMENTS

D331,229	S *	11/1992	Pike	D20/11
D422,983	S *	4/2000	Bright et al.	D14/495
6,346,929	B1 *	2/2002	Fukushima et al.	345/8
6,624,833	B1 *	9/2003	Kumar et al.	715/863
7,248,270	B1 *	7/2007	Boylan	345/679
D563,418	S *	3/2008	Yamashita et al.	D14/485
D575,018	S *	8/2008	Knopow	D32/52
7,885,508	B2 *	2/2011	Toyoda et al.	345/173
D641,372	S *	7/2011	Gardner et al.	D14/486

D644,662	S *	9/2011	Gardner et al.	D14/495
D659,706	S *	5/2012	David et al.	D14/487
D663,313	S *	7/2012	David et al.	D14/487
D664,980	S *	8/2012	Kuhnle et al.	D14/487
8,352,876	B2 *	1/2013	Batarseh et al.	715/776
8,559,677	B2 *	10/2013	Nishimoto et al.	382/107
2004/0141010	A1 *	7/2004	Fitzmaurice et al.	345/810
2008/0056570	A1 *	3/2008	Williams et al.	382/173
2011/0115702	A1 *	5/2011	Seaberg	345/156
2013/0055125	A1 *	2/2013	Jackson et al.	715/769
2013/0287271	A1 *	10/2013	Harper	382/124

* cited by examiner

Primary Examiner — Richelle G Shelton

(74) *Attorney, Agent, or Firm* — Banner & Witcoff, Ltd.

(57) **CLAIM**

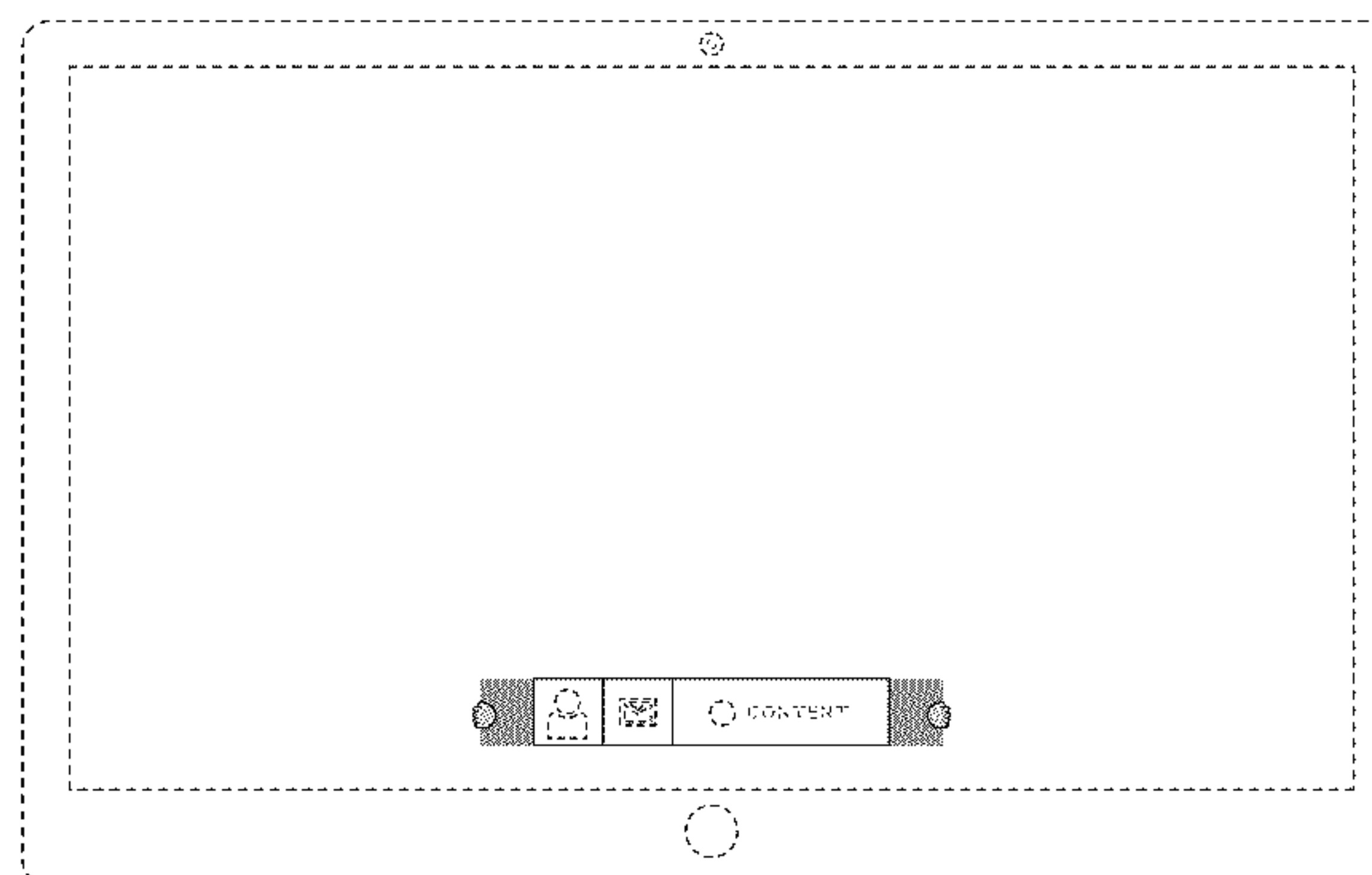
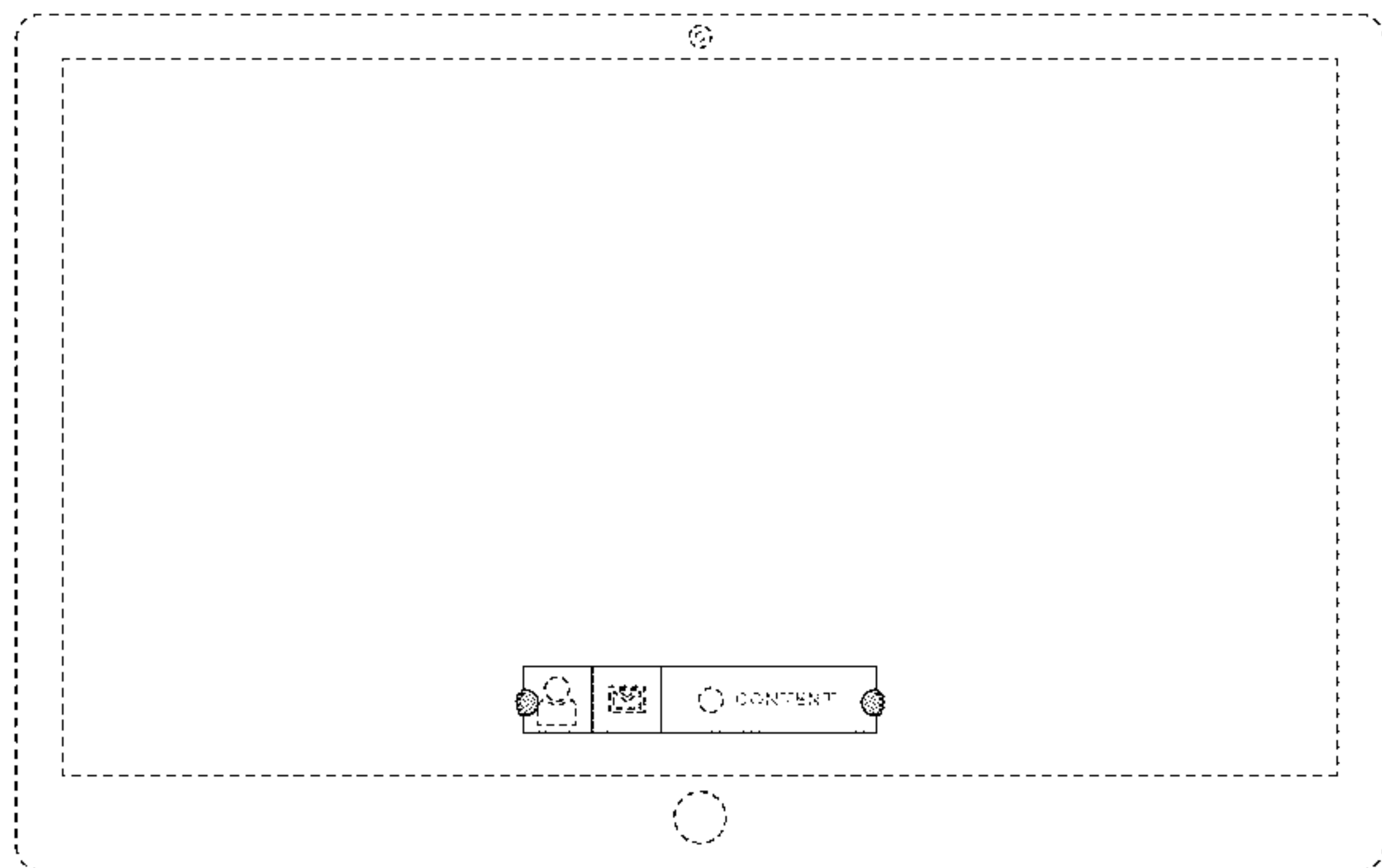
The ornamental design for a display screen with animated graphical user interface, as shown and described.

DESCRIPTION

FIG. 1 is the first image in a sequence for a display screen with animated graphical user interface showing our new design; FIG. 2 is the second image thereof; FIG. 3 is the third image thereof; FIG. 4 is the fourth image thereof; and, FIG. 5 is the fifth image thereof.

The appearance of the animated graphical user interface sequentially transitions between the images shown in FIGS. 1-5. The process or period in which one image transitions to another forms no part of the claimed design. The greyscale in the figures indicates a contrast of appearance. The broken line showing of the display screen and remainder of the graphical user interface is for environmental purposes only and forms no part of the claimed design.

1 Claim, 5 Drawing Sheets



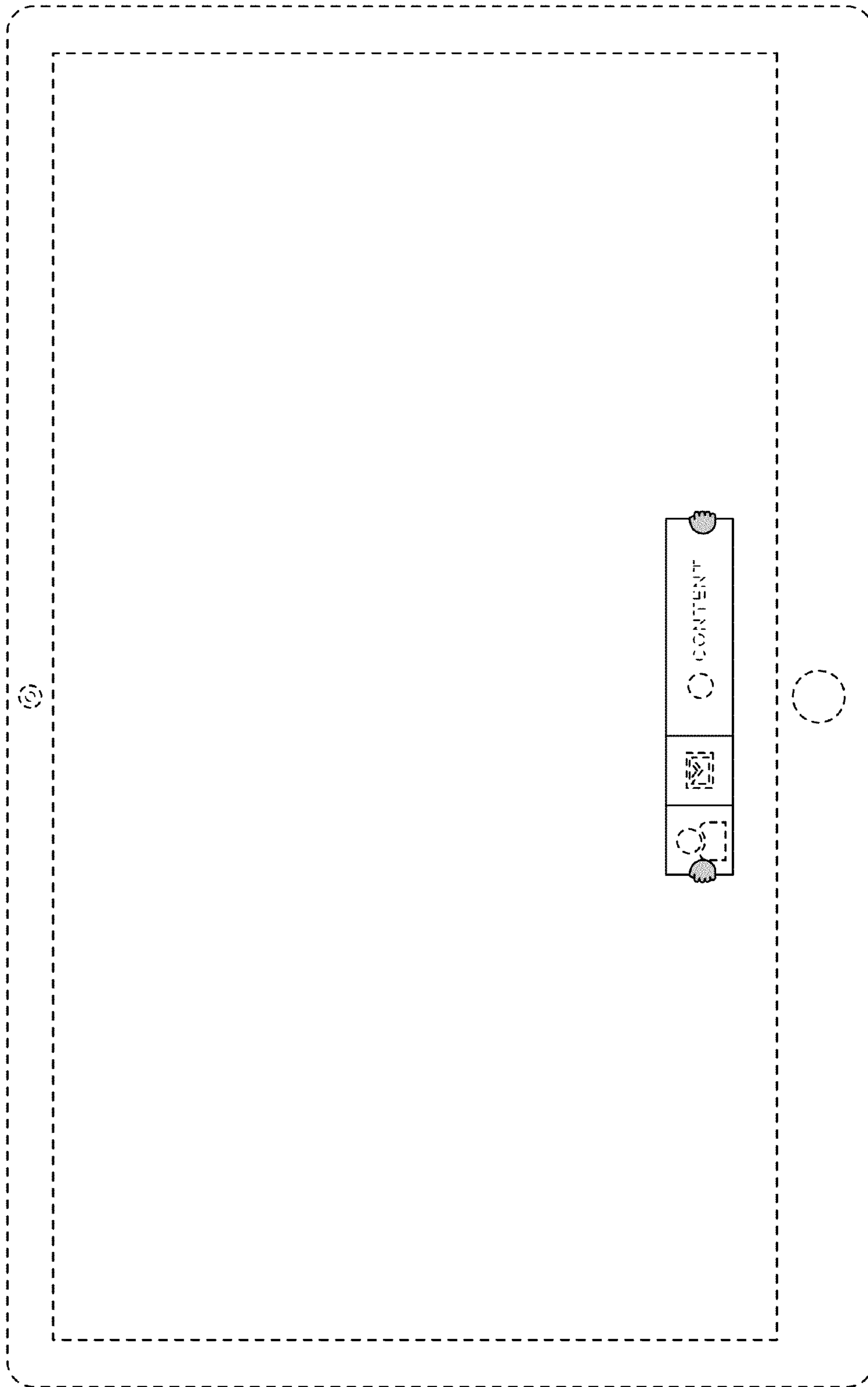


FIG. 1

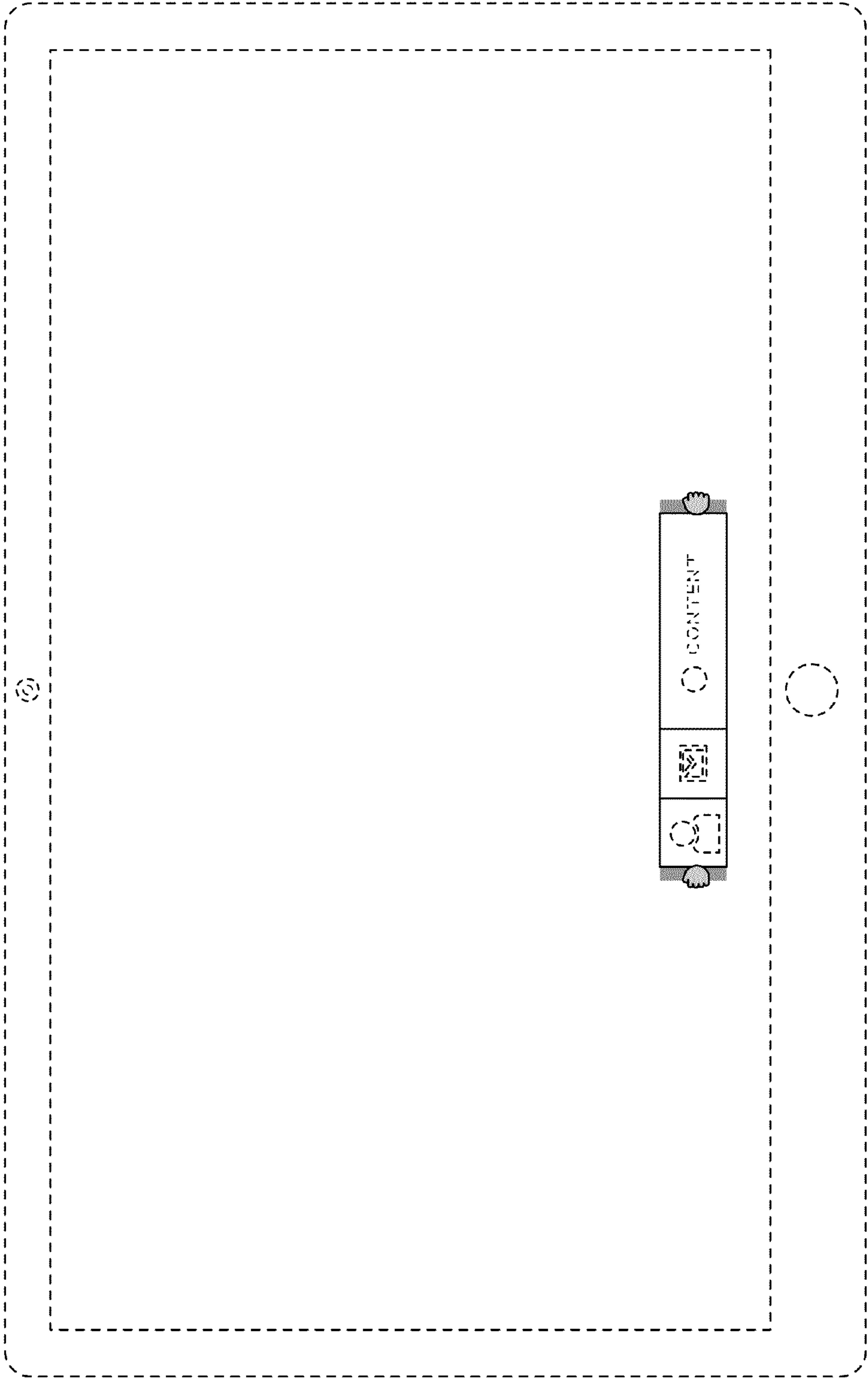


FIG. 2

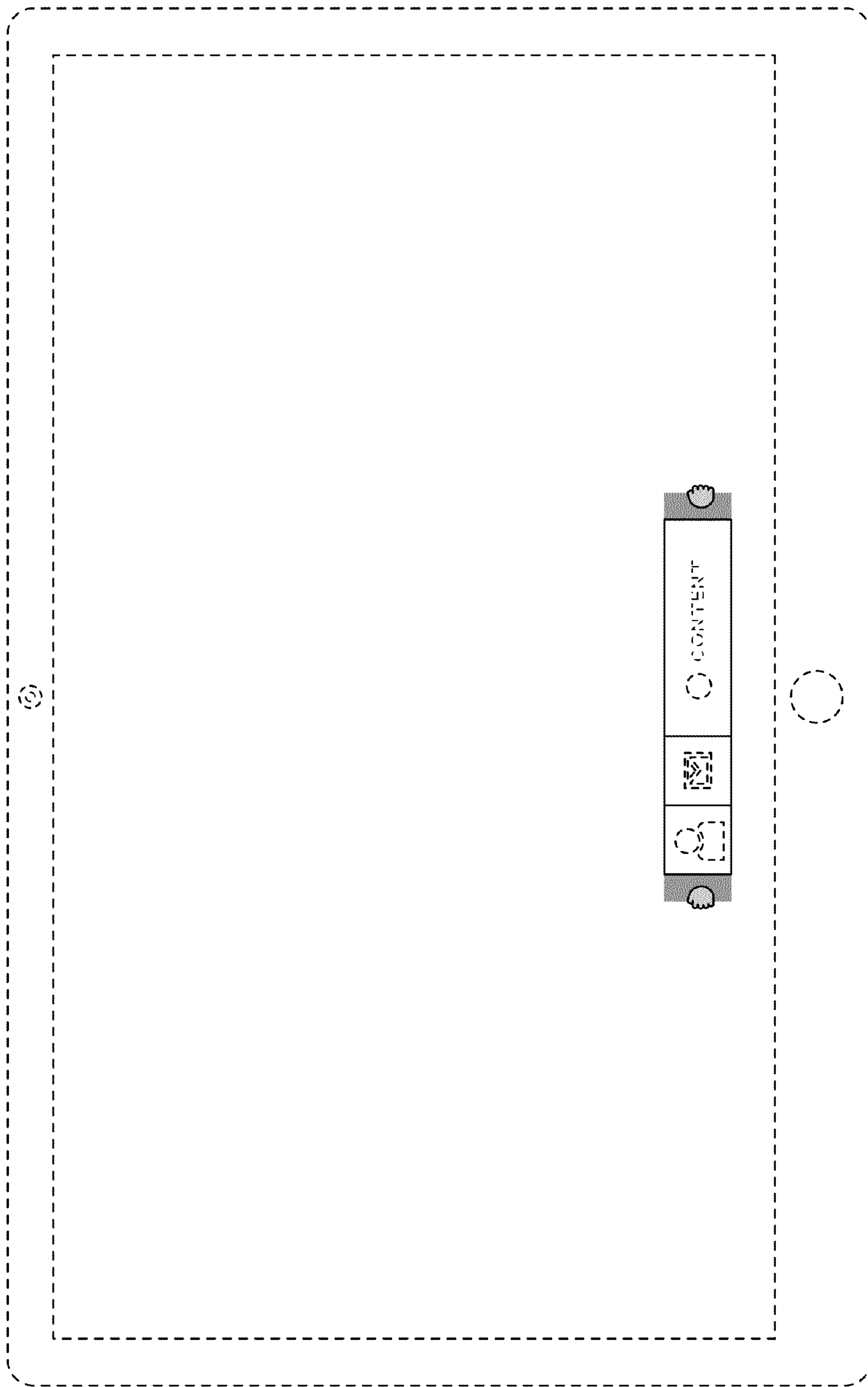


FIG. 3

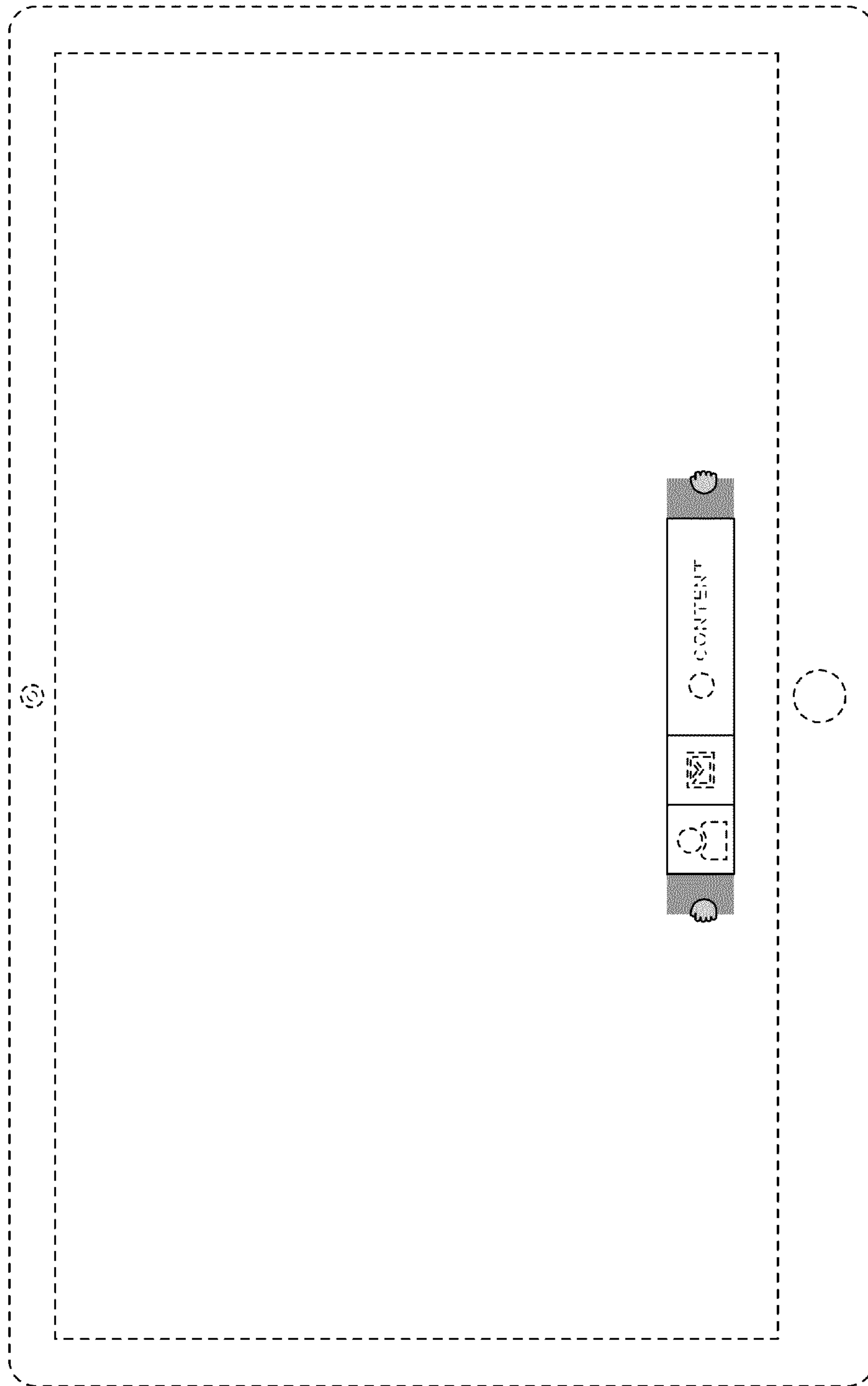


FIG. 4

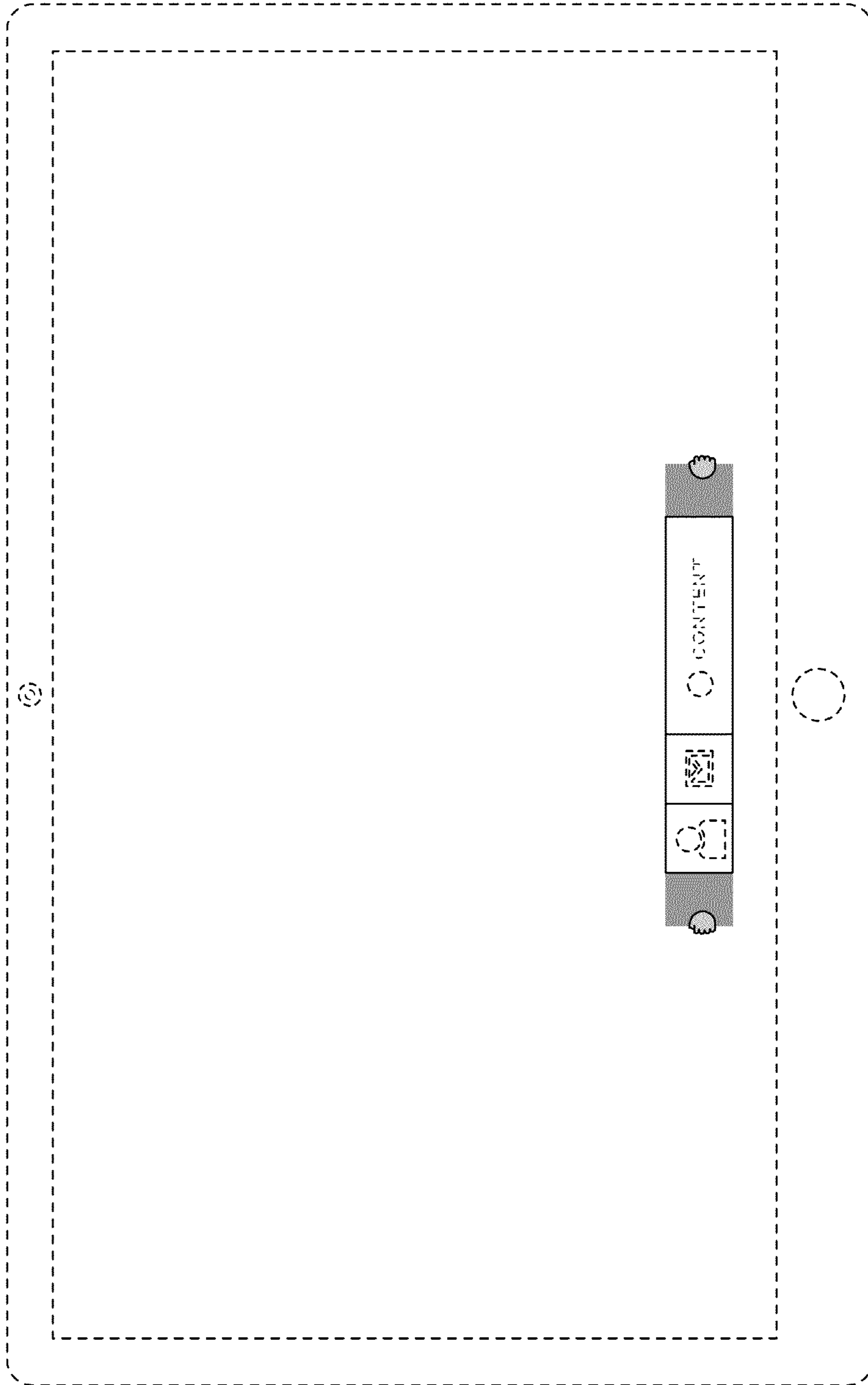


FIG. 5