



US00D759061S

(12) **United States Design Patent**
Sahoo et al.

(10) **Patent No.:** **US D759,061 S**
(45) **Date of Patent:** **** Jun. 14, 2016**

(54) **DISPLAY SCREEN OR A PORTION THEREOF WITH ANIMATED GRAPHICAL USER INTERFACE**

D607,008 S * 12/2009 Kocmick D14/489
D607,010 S * 12/2009 Kocmick D14/491
D607,893 S * 1/2010 Kanga D14/485
D611,484 S * 3/2010 Mays D14/485

(71) Applicant: **Tata Consultancy Services Limited,**
Maharashtra (IN)

(Continued)

(72) Inventors: **Nikhil Sahoo,** Karnataka (IN); **Annie Thomas,** Karnataka (IN); **Harini Ramachandraiah,** Karnataka (IN); **Anushka Soman,** Karnataka (IN); **Shalin Garg,** Karnataka (IN); **Sathish Vallat,** Karnataka (IN)

Primary Examiner — Lakiya Rogers

Assistant Examiner — Rhea Shields

(74) *Attorney, Agent, or Firm* — Hayes Soloway PC

(73) Assignee: **Tata Consultancy Services Limited,**
Maharashtra (IN)

(57) **CLAIM**

The ornamental design for a display screen or a portion thereof with animated graphical user interface, as shown and described.

(**) Term: **14 Years**

DESCRIPTION

(21) Appl. No.: **29/520,108**

FIG. 1 is a front view of the display screen or a portion thereof with animated graphical user interface, according to our new design;

(22) Filed: **Mar. 11, 2015**

FIG. 2 is a front view of a second image thereof;

(51) **LOC (10) Cl.** **14-03**

FIG. 3 is a front view of a third image thereof;

(52) **U.S. Cl.**

FIG. 4 is a front view of a fourth image thereof;

USPC **D14/485**

FIG. 5 is a front view of a fifth image thereof;

(58) **Field of Classification Search**

FIG. 6 is a front view of a sixth image thereof;

USPC D14/485–495, 454; D28/4; D24/146;

FIG. 7 is a front view of a seventh image thereof;

D3/328; 715/702, 764, 835, 760

FIG. 8 is a front view of an eighth image thereof;

CPC G06F 3/016; G06F 3/0481; G06F 3/0482

FIG. 9 is a front view of a ninth image thereof; and,

See application file for complete search history.

FIG. 10 is a front view of a tenth image thereof.

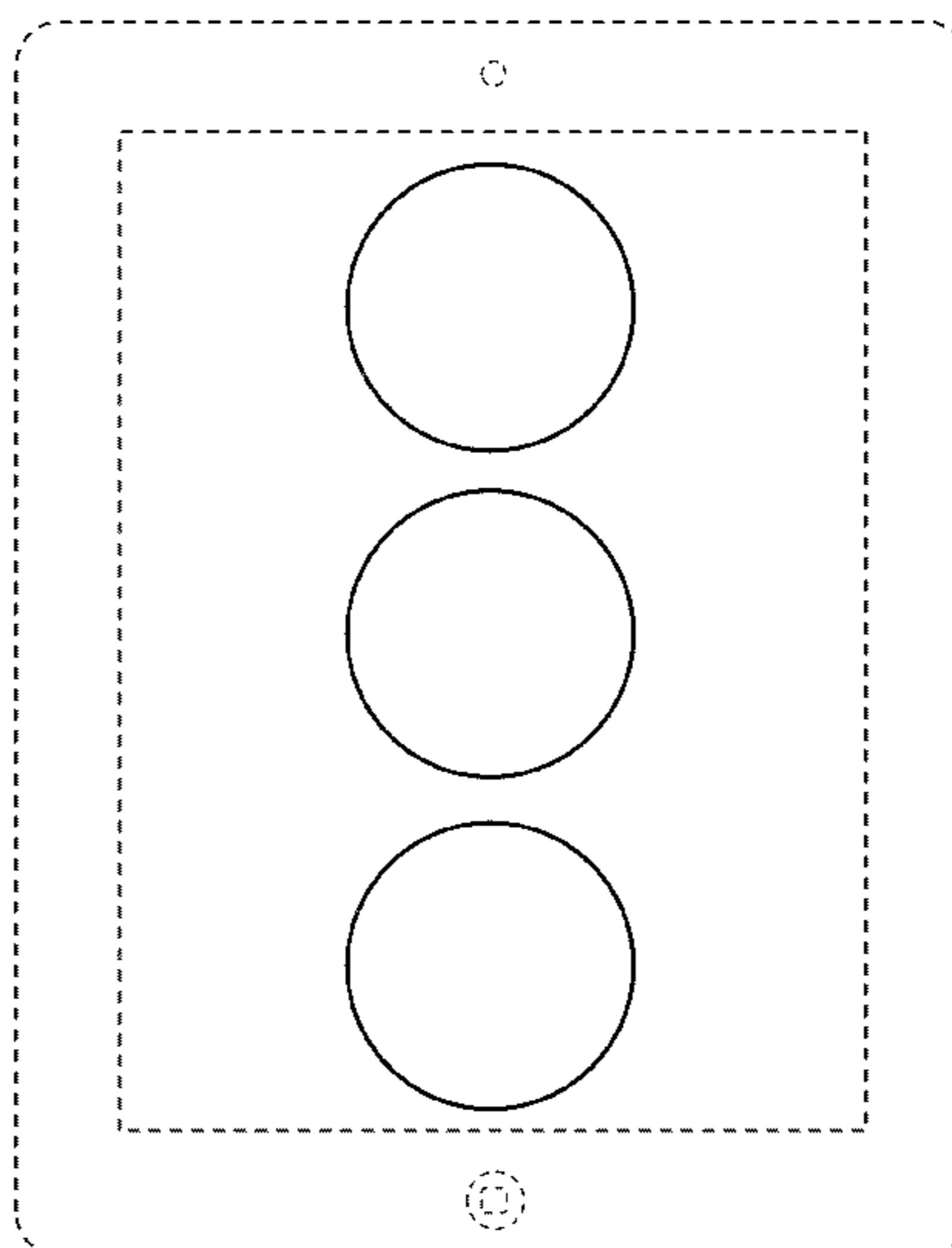
(56) **References Cited**

The appearance of the image transitions sequentially between the images shown in FIGS. 1-10. The process or period in which an image transitions to another forms no part of the claimed design. The broken line showing the electronic device is for the purpose of illustrating environment and forms no part of the claimed design. The broken line showing the display screen with graphical user interface illustrates portions of the article that forms no part of the claimed design.

U.S. PATENT DOCUMENTS

D508,145 S * 8/2005 Jackel-Marken D28/4
D519,240 S * 4/2006 Jackel-Marken D28/4
D531,725 S * 11/2006 Loerwald D24/146
D553,148 S * 10/2007 Niiijima D14/491
D590,838 S * 4/2009 Bisig D14/492
D606,560 S * 12/2009 Kocmick D14/494

1 Claim, 10 Drawing Sheets



(56)

References Cited

U.S. PATENT DOCUMENTS

| | | | | | | | |
|--------------|---------|------------------|---------|--------------|---------|----------------------|---------|
| D613,301 S * | 4/2010 | Lee | D14/489 | D711,896 S * | 8/2014 | Hanson | D14/485 |
| D628,584 S * | 12/2010 | Umezawa | D14/489 | D717,334 S * | 11/2014 | Sakuma | D14/487 |
| D637,197 S * | 5/2011 | Ray | D14/486 | D717,823 S * | 11/2014 | Brotman | D14/486 |
| D637,198 S * | 5/2011 | Furuya | D14/486 | D721,086 S * | 1/2015 | Hontz, Jr. | D14/485 |
| D646,297 S * | 10/2011 | McLaughlin | D14/488 | D721,093 S * | 1/2015 | Pereira | D14/488 |
| D691,629 S * | 10/2013 | Matas | D14/488 | D728,616 S * | 5/2015 | Gomez | D14/491 |
| D694,770 S * | 12/2013 | Edwards | D14/485 | D732,047 S * | 6/2015 | Brouillette | D14/454 |
| D696,264 S * | 12/2013 | d'Amore | D14/485 | D732,049 S * | 6/2015 | Amin | D14/485 |
| D696,265 S * | 12/2013 | d'Amore | D14/485 | D736,219 S * | 8/2015 | Petersen | D14/485 |
| D697,935 S * | 1/2014 | Lee | D14/486 | D736,810 S * | 8/2015 | Hisada | D14/486 |
| D698,820 S * | 2/2014 | Myung | D14/491 | D737,299 S * | 8/2015 | Hisada | D14/486 |
| D699,250 S * | 2/2014 | Fujii | D14/486 | D737,300 S * | 8/2015 | Hisada | D14/486 |
| D703,227 S * | 4/2014 | Abratowski | D14/489 | D737,301 S * | 8/2015 | Hisada | D14/486 |
| D711,395 S * | 8/2014 | Hanson | D14/485 | D737,319 S * | 8/2015 | Cavander | D14/489 |
| | | | | D738,907 S * | 9/2015 | Cabrera-Cordon | D14/488 |
| | | | | D740,302 S * | 10/2015 | Son | D14/485 |
| | | | | D744,528 S * | 12/2015 | Agrawal | D14/488 |

* cited by examiner

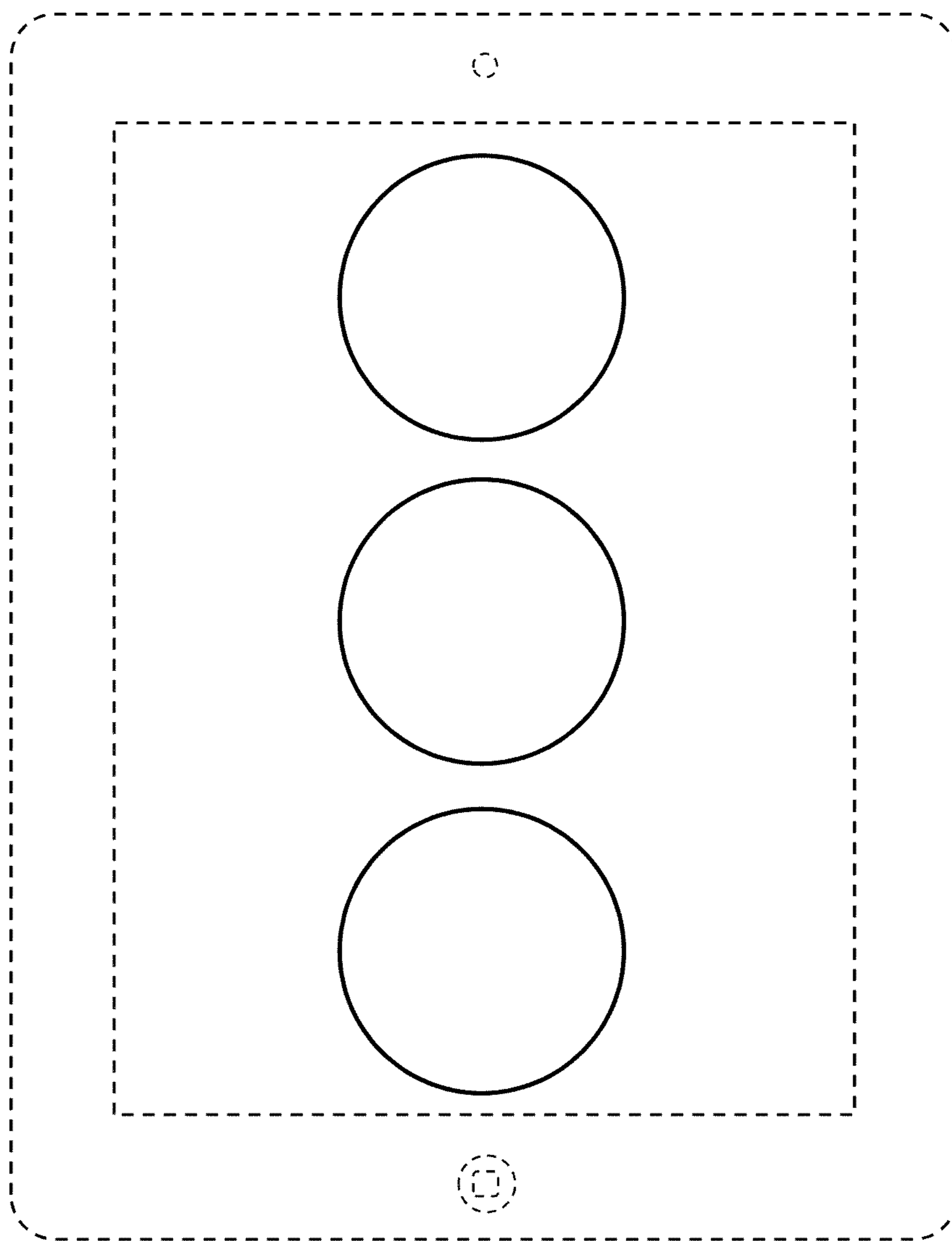


Fig. 1

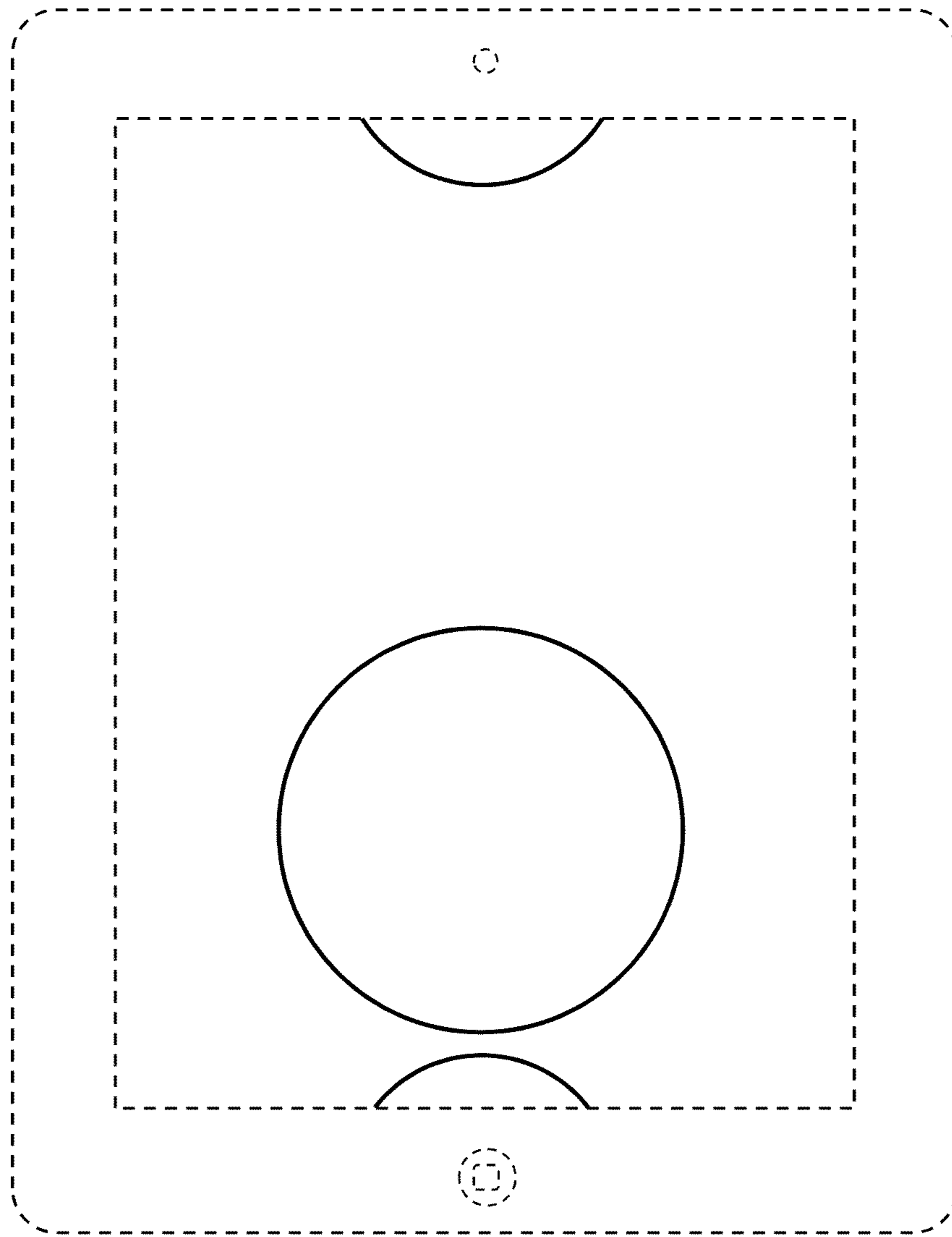


Fig. 2

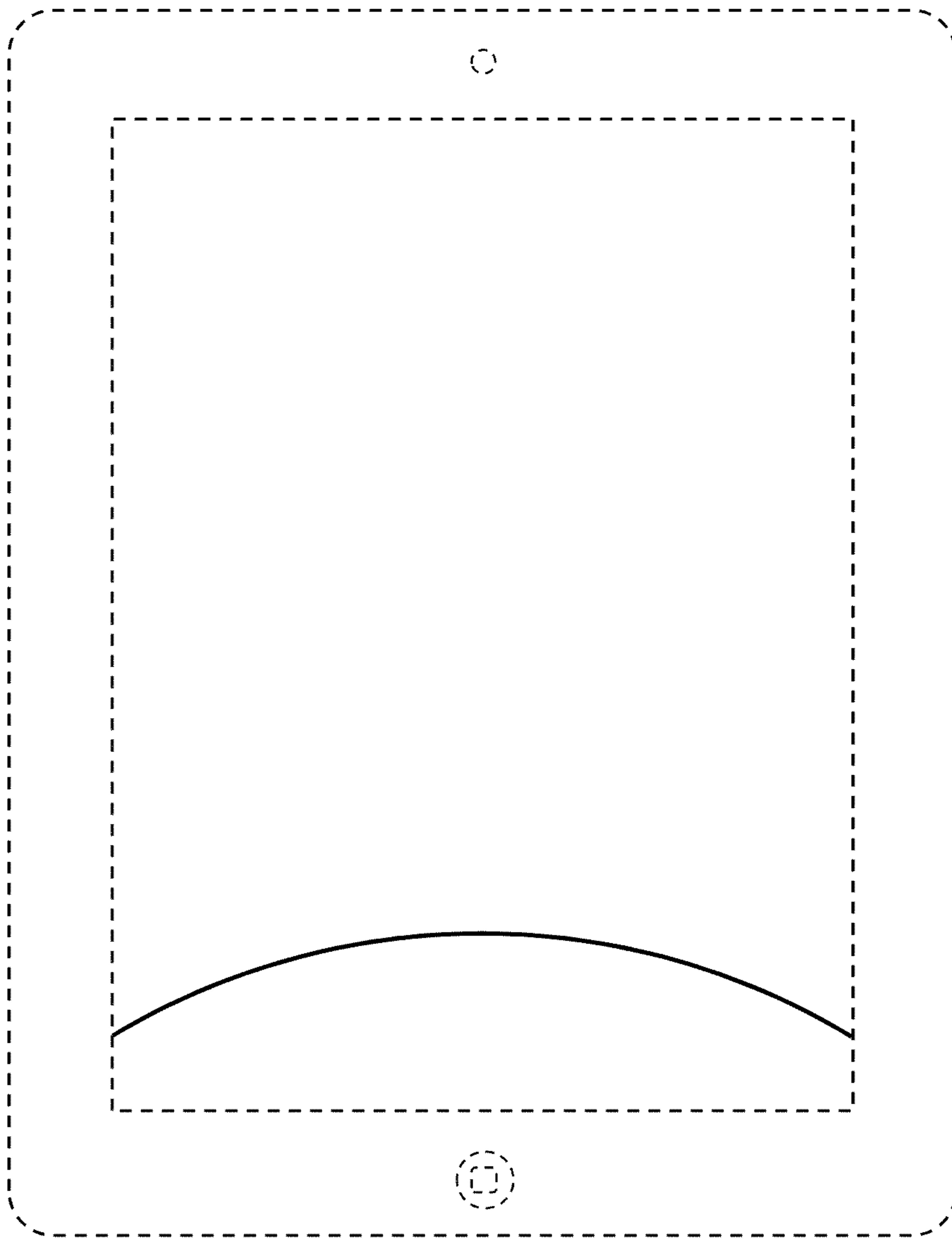


Fig. 3

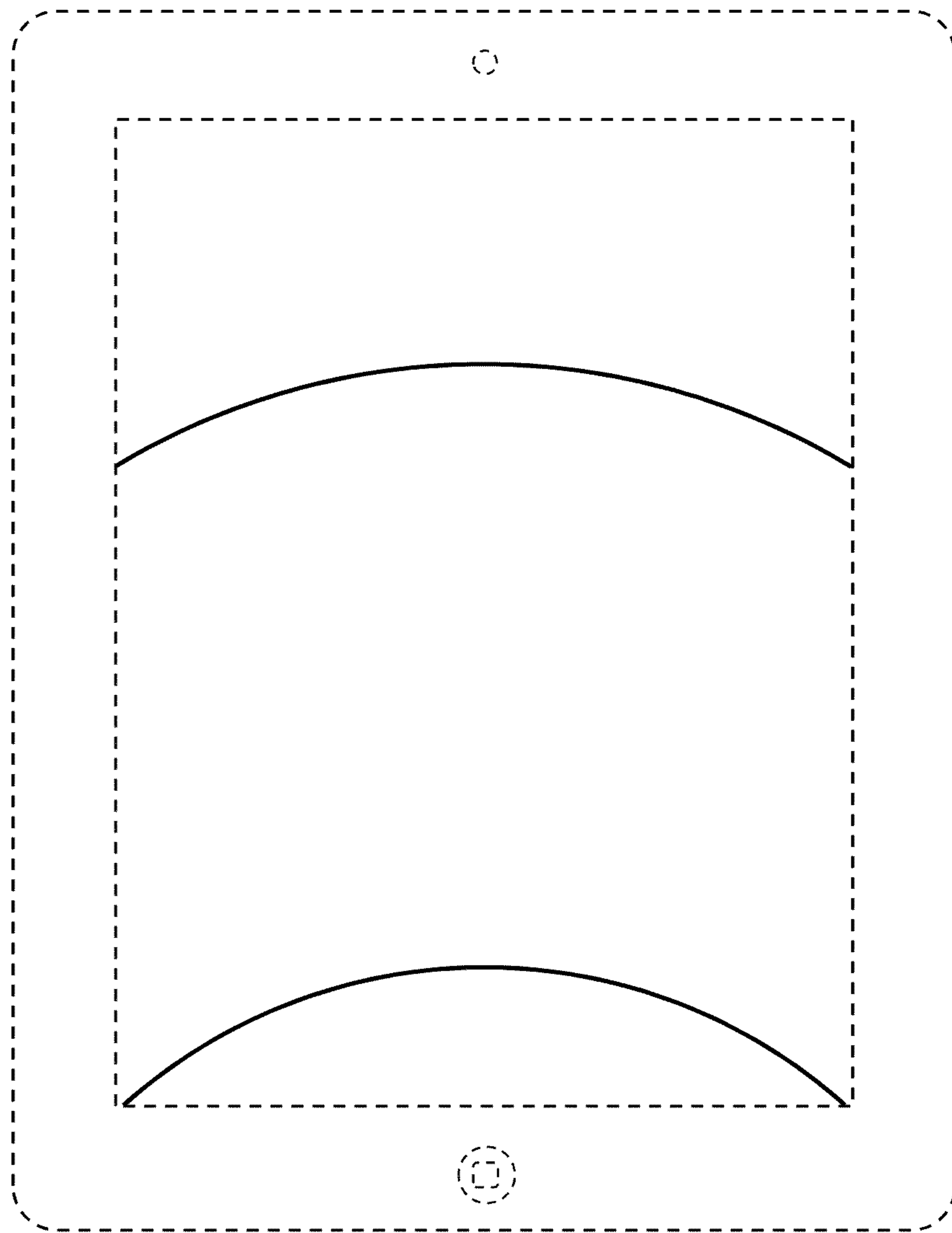


Fig. 4

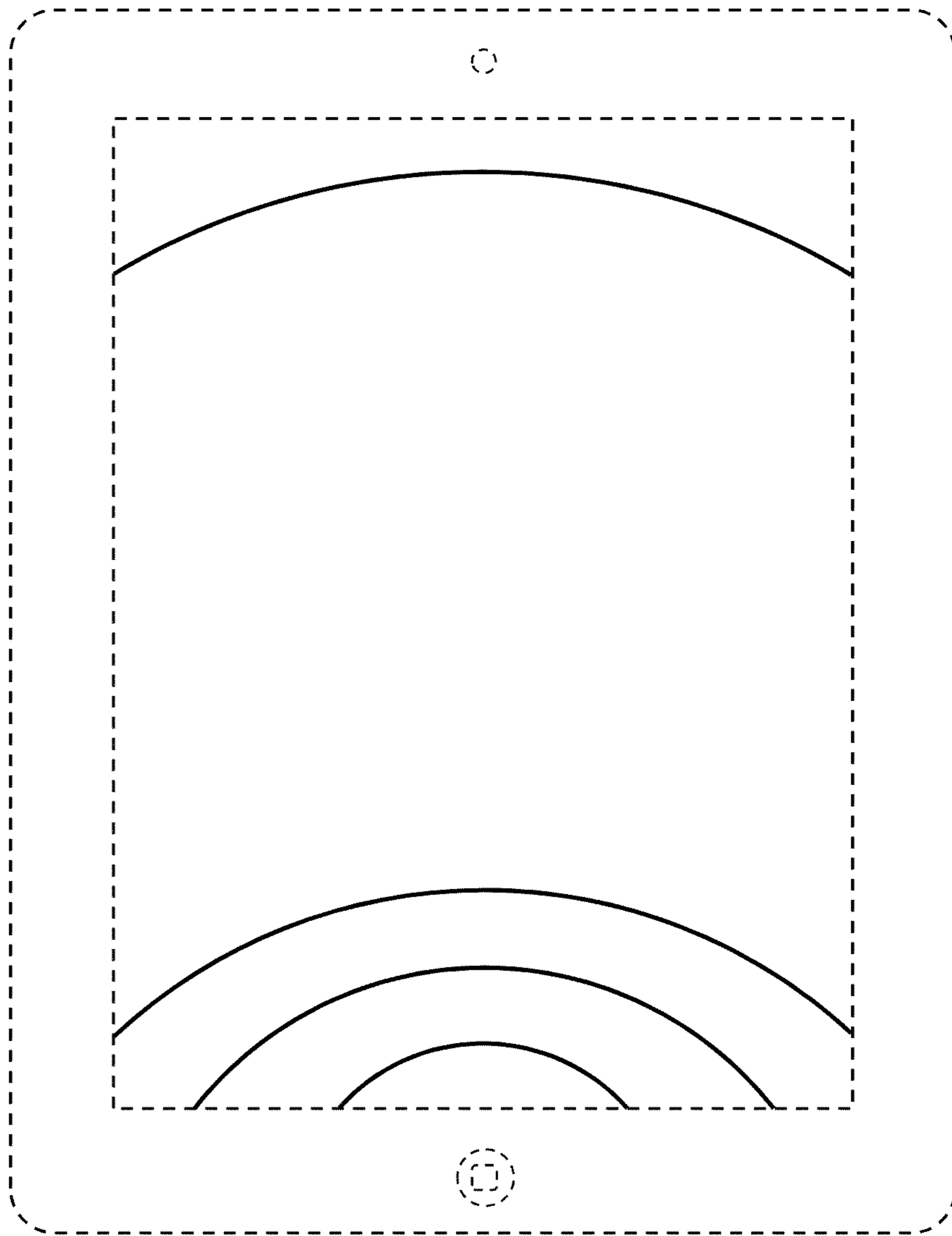


Fig. 5

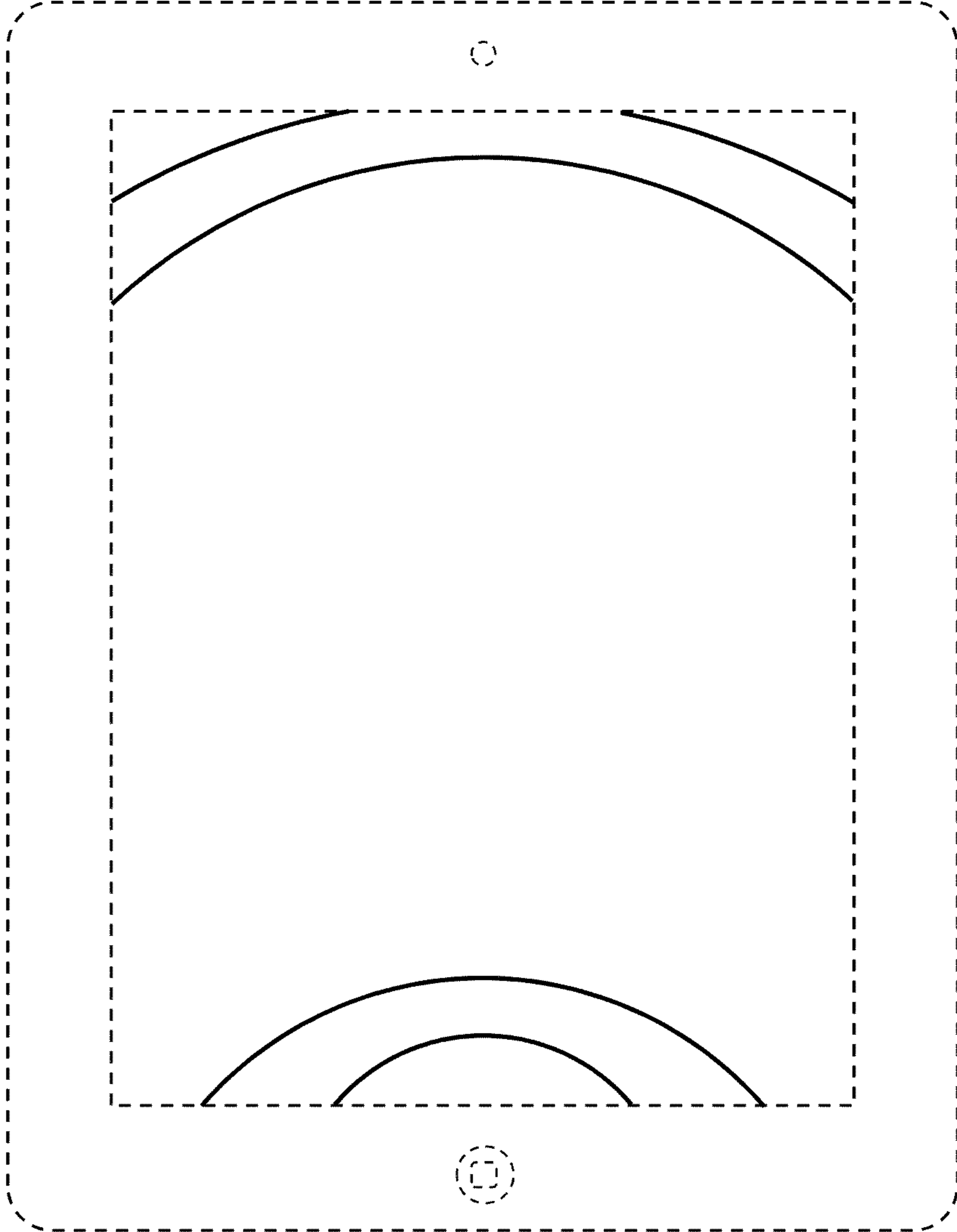


Fig. 6

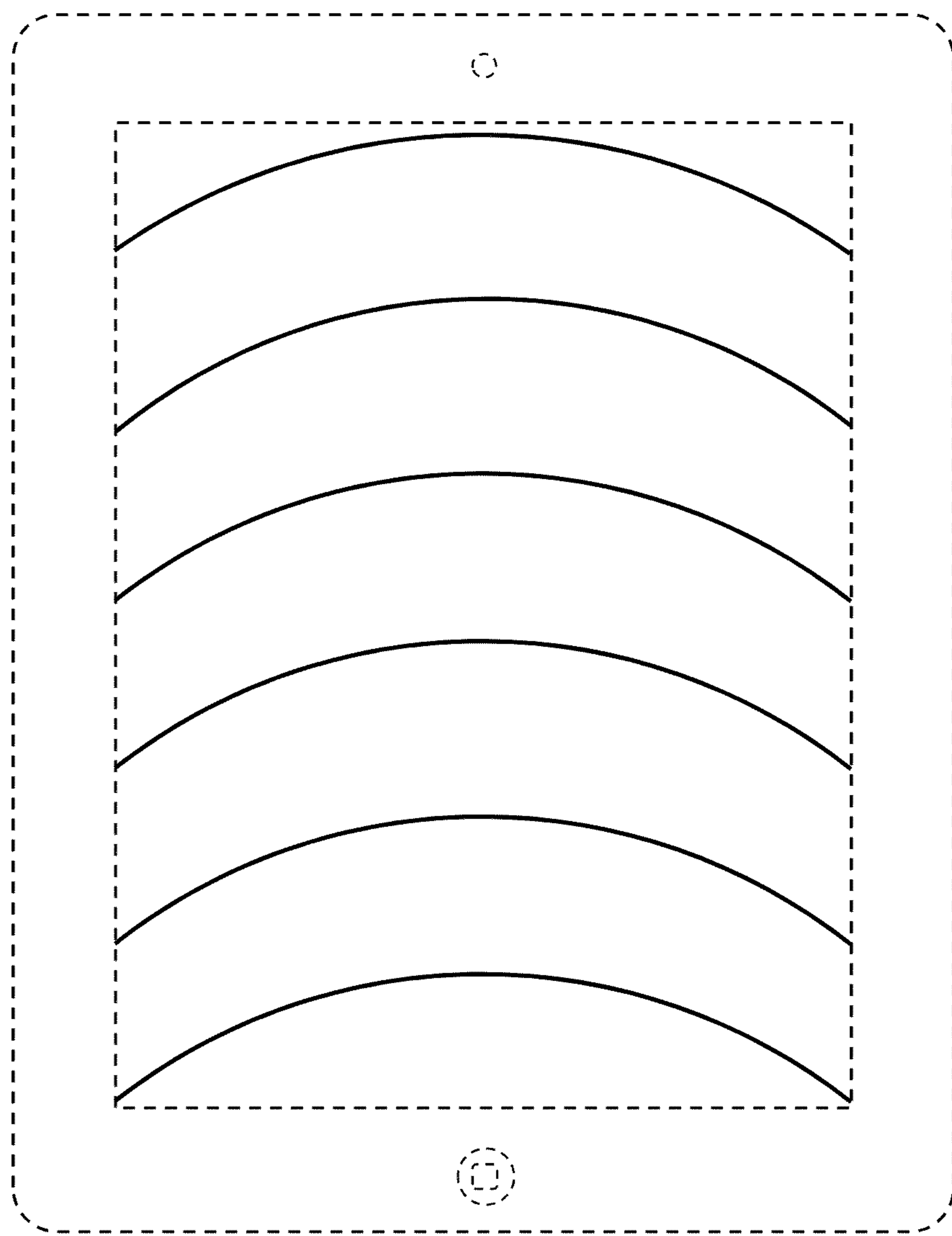


Fig. 7

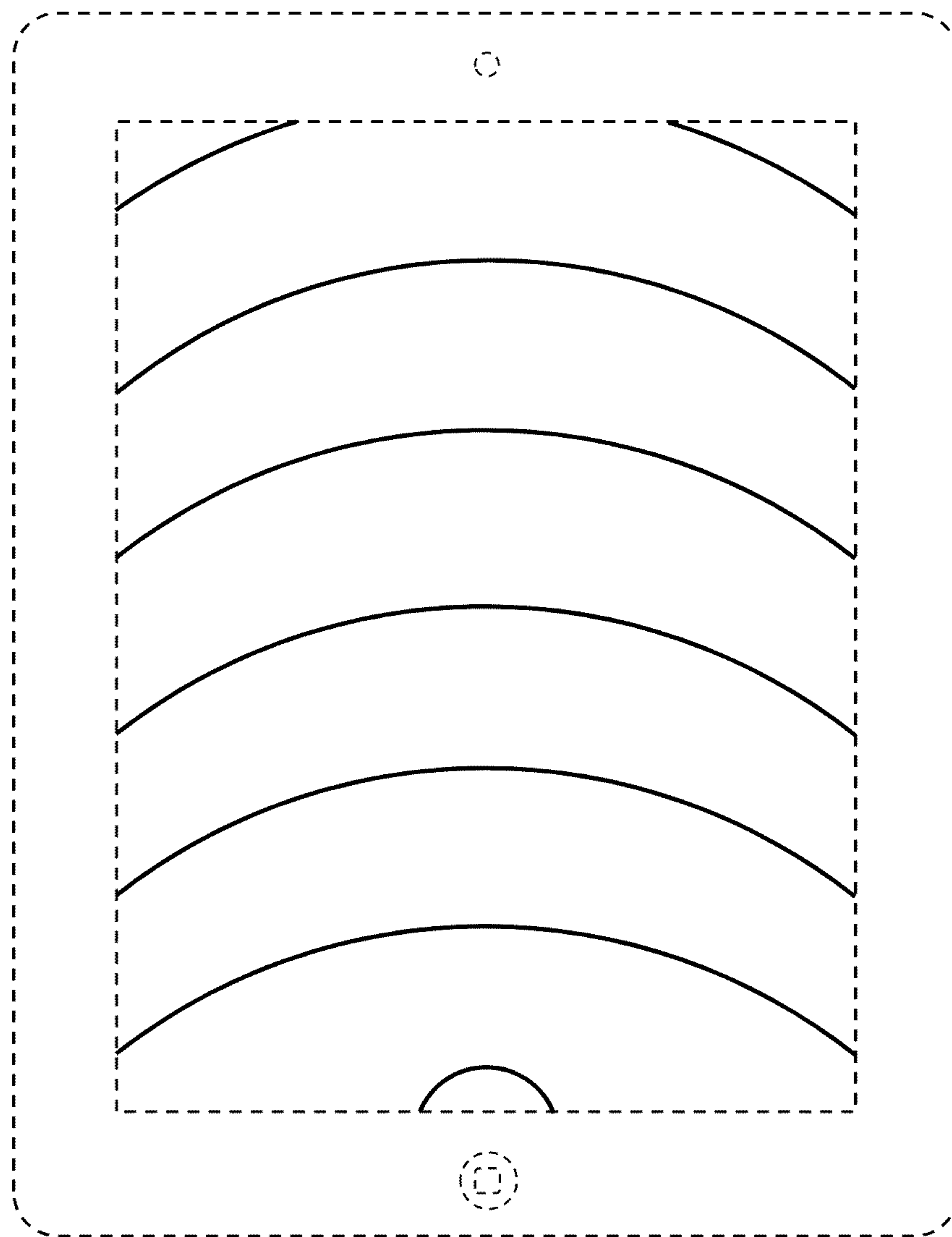


Fig. 8

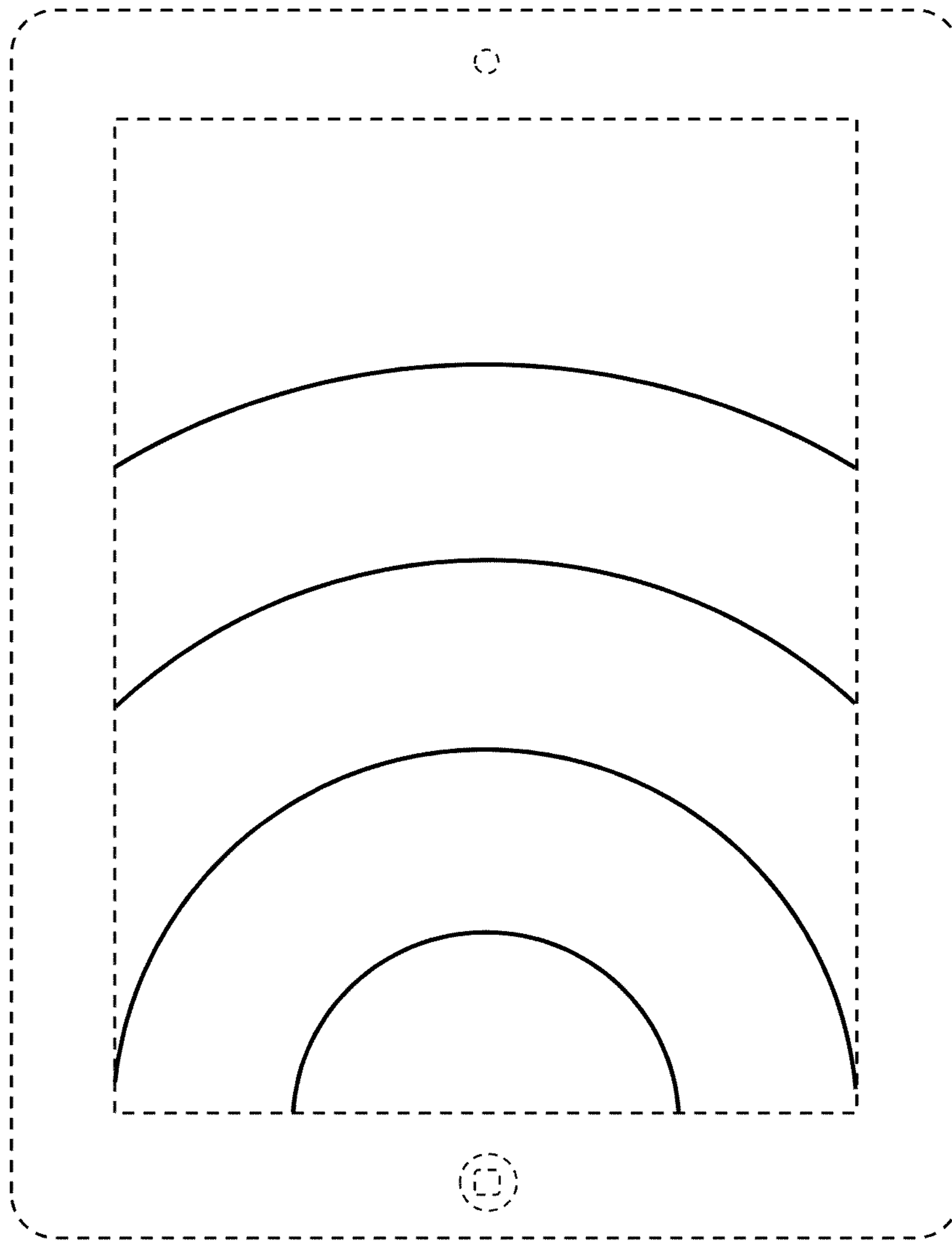


Fig. 9

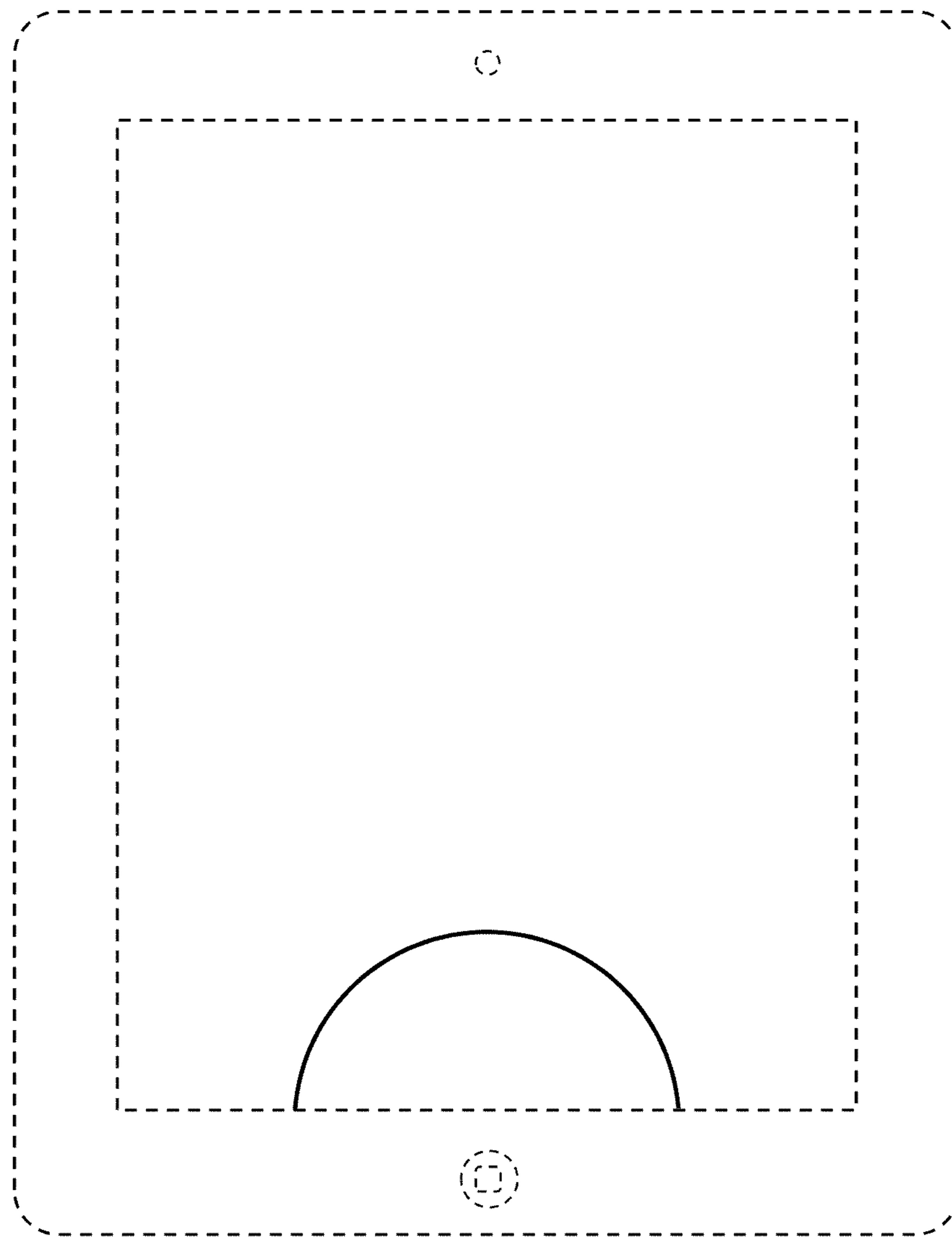


Fig. 10