



US00D759031S

(12) **United States Design Patent**
Ozolins et al.

(10) **Patent No.:** **US D759,031 S**
(45) **Date of Patent:** **** Jun. 14, 2016**

- (54) **ELECTRONIC FOB AND FOB CARRIER**
- (71) Applicant: **BLOOMBERG FINANCE L.P.**, New York, NY (US)
- (72) Inventors: **Helmars E. Ozolins**, Orient, NY (US);
Avram Kaufman, New York, NY (US);
Adam Goldsmith, Larchmont, NY (US);
Sean Roarty, Ossining, NY (US); **Sigrid G. Moeslinger**, New York, NY (US);
Masamichi Udagawa, New York, NY (US)
- (73) Assignee: **Bloomberg Finance L.P.**, New York, NY (US)
- (**) Term: **14 Years**
- (21) Appl. No.: **29/511,938**
- (22) Filed: **Dec. 15, 2014**
- (51) **LOC (10) Cl.** **14-02**
- (52) **U.S. Cl.**
USPC **D14/480.5**
- (58) **Field of Classification Search**
USPC D14/435.1, 480.1-480.7, 411, 433, 436,
D14/484.1, 137, 155, 203.1-203.8, 240,
D14/242, 133, 154
CPC H05K 5/0278; G06K 19/07732
See application file for complete search history.

(56) **References Cited**

U.S. PATENT DOCUMENTS

- D356,440 S * 3/1995 Stillwagon D3/208
- D463,426 S * 9/2002 Cheng D14/480.1
- D534,448 S * 1/2007 Shaffer, II D10/104.1

- D623,753 S * 9/2010 Saffer D14/480.5
- D652,046 S * 1/2012 Belan D14/480.6
- D682,841 S * 5/2013 Suetake D14/480.1
- D720,761 S * 1/2015 Winzenried D14/480.5
- D724,601 S * 3/2015 Hsieh D14/480.3
- D729,277 S * 5/2015 Uchida D14/435.1
- 2004/0083320 A1 * 4/2004 Yu A44B 11/005
710/62
- 2008/0261449 A1 * 10/2008 Ni H01R 13/453
439/607.01
- 2009/0108056 A1 * 4/2009 Faust G06K 19/07703
235/375
- 2010/0255697 A1 * 10/2010 Cabes H05K 5/0278
439/142

* cited by examiner

Primary Examiner — Angela J Lee

(74) *Attorney, Agent, or Firm* — Chiesa Shahinian & Giantomasi PC

(57) **CLAIM**

The ornamental design for an electronic fob and fob carrier, as shown and described.

DESCRIPTION

FIG. 1 is a top right front perspective view of an electronic fob and fob carrier according to our design;
 FIG. 2 is a bottom left front perspective view thereof;
 FIG. 3 is a bottom view thereof;
 FIG. 4 is a top view thereof;
 FIG. 5 is a right side view thereof;
 FIG. 6 is a left side view thereof;
 FIG. 7 is a rear view thereof; and,
 FIG. 8 is a front view thereof.

Any broken lines shown in the drawings are for illustrative purposes only and do not form a part of the claimed design.

1 Claim, 2 Drawing Sheets

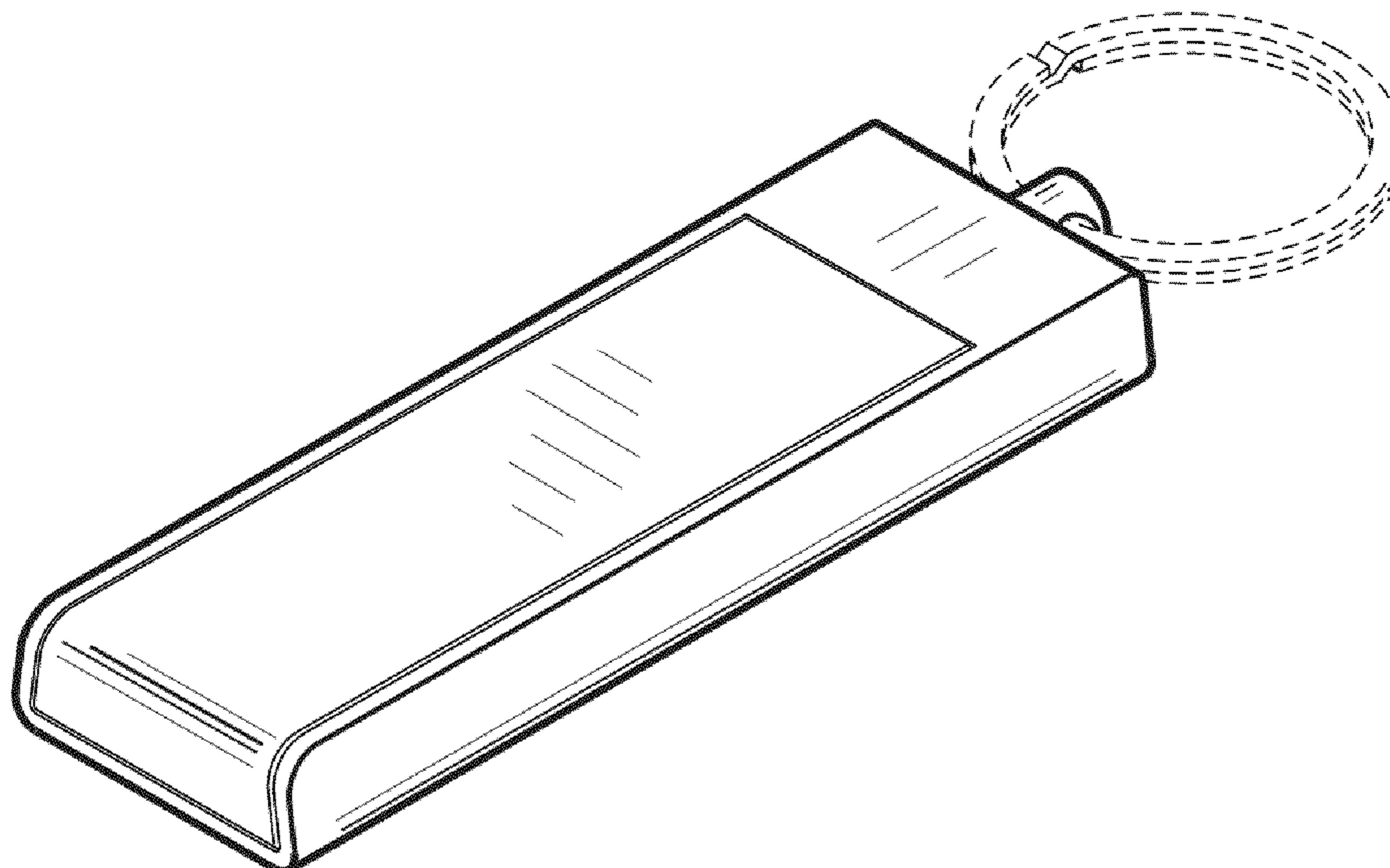


FIG. 1

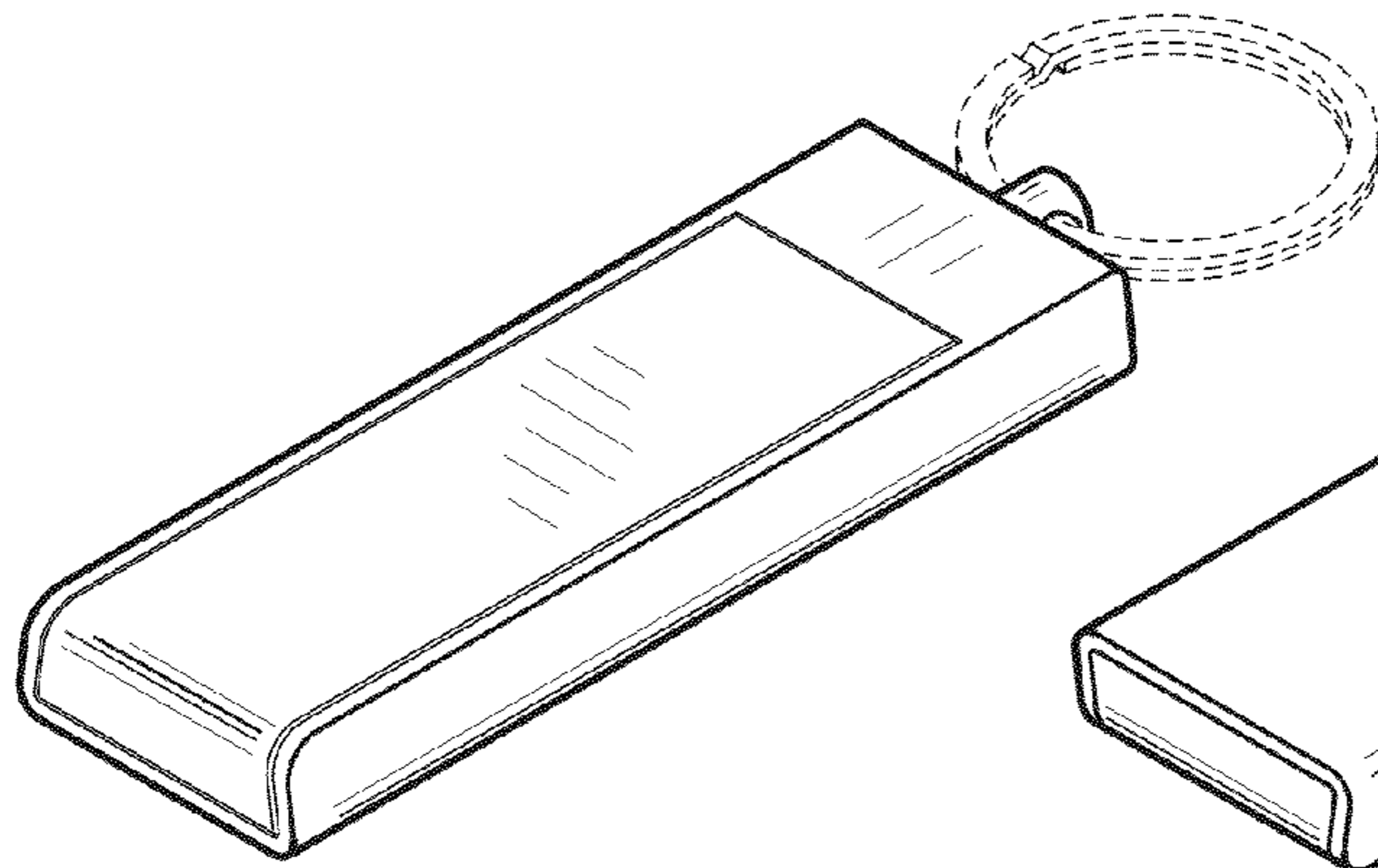


FIG. 2

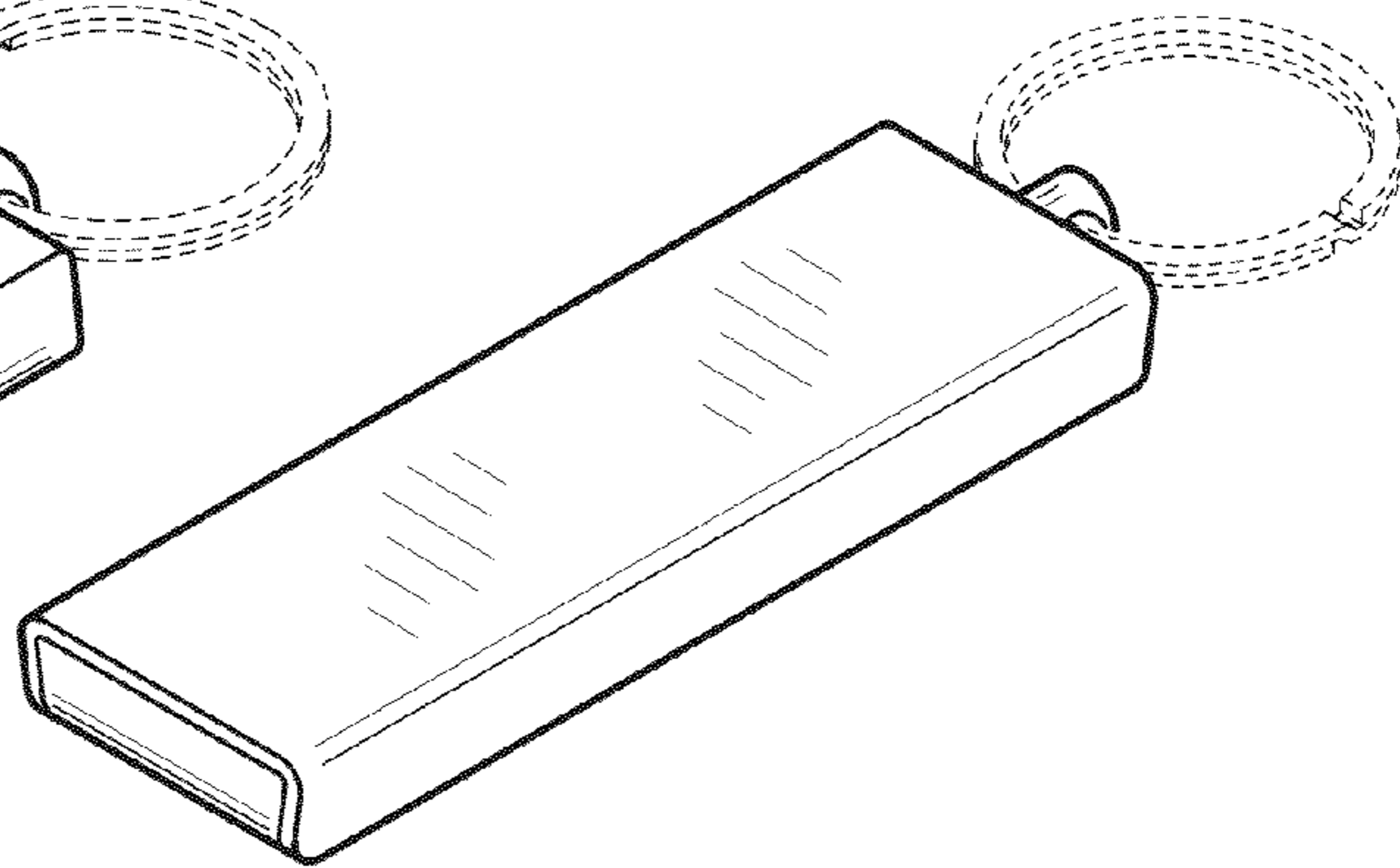


FIG. 3

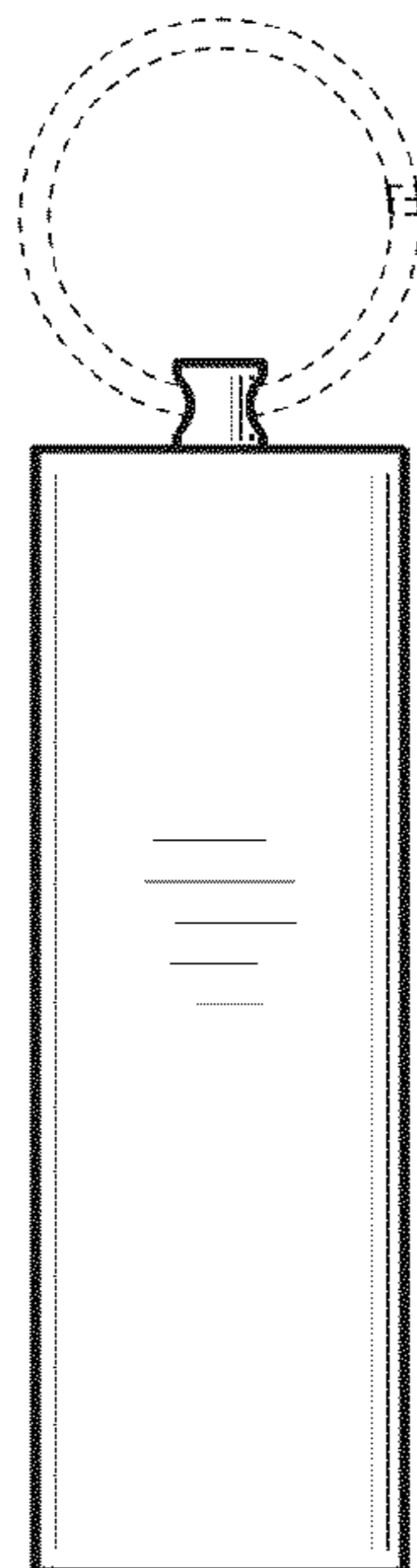


FIG. 4

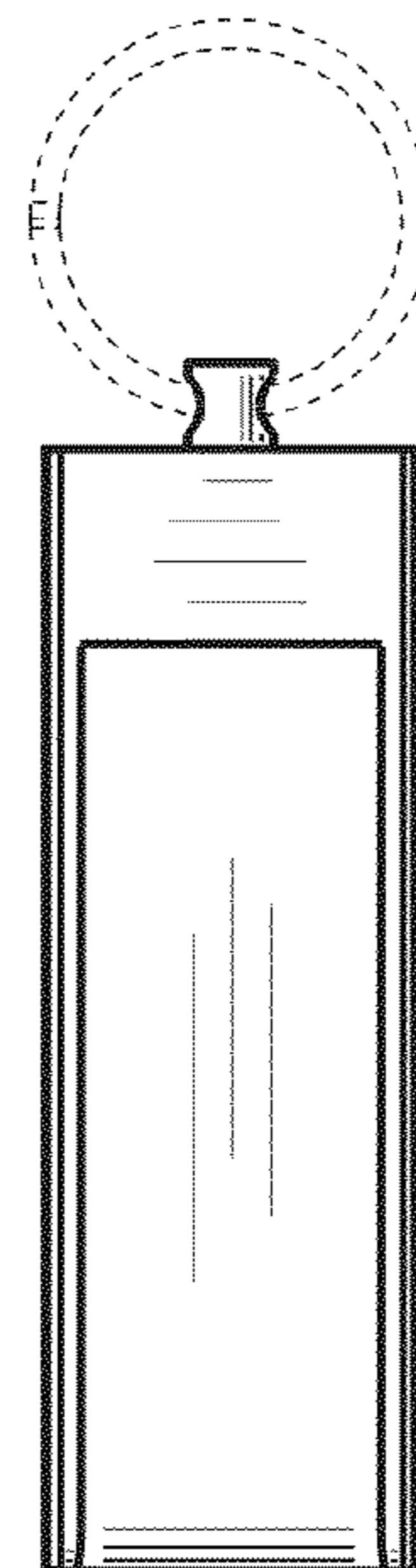


FIG. 5

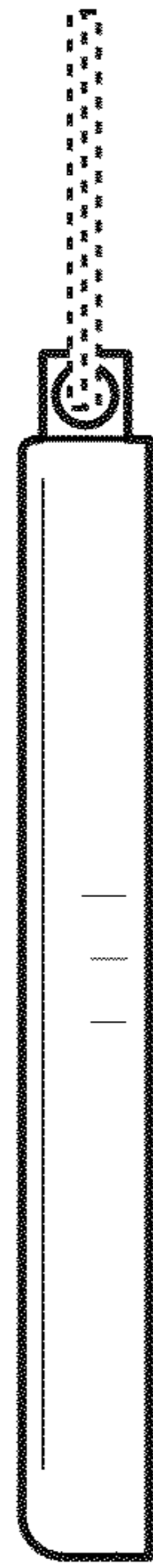


FIG. 6



FIG. 7

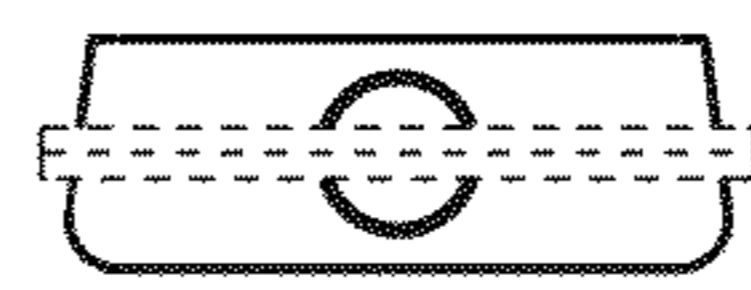


FIG. 8

