



US00D759030S

(12) **United States Design Patent**  
**Kim**

(10) **Patent No.:** **US D759,030 S**  
(45) **Date of Patent:** **\*\* Jun. 14, 2016**

(54) **USB MEMORY DEVICE**  
(71) Applicant: **Samsung Electronics Co., Ltd.**,  
Suwon-si (KR)  
(72) Inventor: **Kyong Hwan Kim**, Seoul (KR)  
(73) Assignee: **Samsung Electronics Co., Ltd.**,  
Suwon-si (KR)

D526,321 S \* 8/2006 Hayes ..... D14/435  
D542,788 S \* 5/2007 Gutmann ..... D14/480.5  
D655,708 S \* 3/2012 Frank ..... D14/435.1  
D669,899 S \* 10/2012 Cheng ..... D14/435.1  
D723,566 S \* 3/2015 Ferguson ..... D14/435.1  
D736,149 S \* 8/2015 Liu ..... D13/108  
D736,702 S \* 8/2015 Ovadia ..... D13/108  
D745,523 S \* 12/2015 Magi ..... D14/433  
2003/0183698 A1 \* 10/2003 Wu ..... H05K 5/0278  
235/492  
2009/0185355 A1 \* 7/2009 Zhu ..... H05K 5/0278  
361/755

(\*\*) Term: **15 Years**

(21) Appl. No.: **29/531,847**

(22) Filed: **Jun. 30, 2015**

(30) **Foreign Application Priority Data**  
Dec. 31, 2014 (KR) ..... 30-2014-0064472

(51) **LOC (10) Cl.** ..... **14-02**  
(52) **U.S. Cl.**  
USPC ..... **D14/480.1**

(58) **Field of Classification Search**  
USPC ..... D14/435.1, 480.1-480.7, 411, 433, 436,  
D14/484.1, 137, 155, 203.1-203.8, 240,  
D14/242, 133, 154  
CPC ..... H05K 5/0278; G06K 19/07732  
See application file for complete search history.

(56) **References Cited**  
U.S. PATENT DOCUMENTS  
D463,426 S \* 9/2002 Cheng ..... D14/480.1  
6,522,534 B1 \* 2/2003 Wu ..... G06K 19/041  
312/223.2

\* cited by examiner

*Primary Examiner* — Angela J Lee  
(74) *Attorney, Agent, or Firm* — NSIP Law

(57) **CLAIM**  
I claim the ornamental design for a USB memory device, as shown and described.

**DESCRIPTION**  
FIG. 1 is a front perspective view of a USB memory device showing my new design;  
FIG. 2 is a front view thereof;  
FIG. 3 is a rear view thereof;  
FIG. 4 is a left-side view thereof;  
FIG. 5 is a right-side view thereof;  
FIG. 6 is a top view thereof; and,  
FIG. 7 is a bottom view thereof.  
The broken lines illustrating portions of the USB memory device are for environmental purposes only and form no part of the claimed design.

**1 Claim, 4 Drawing Sheets**

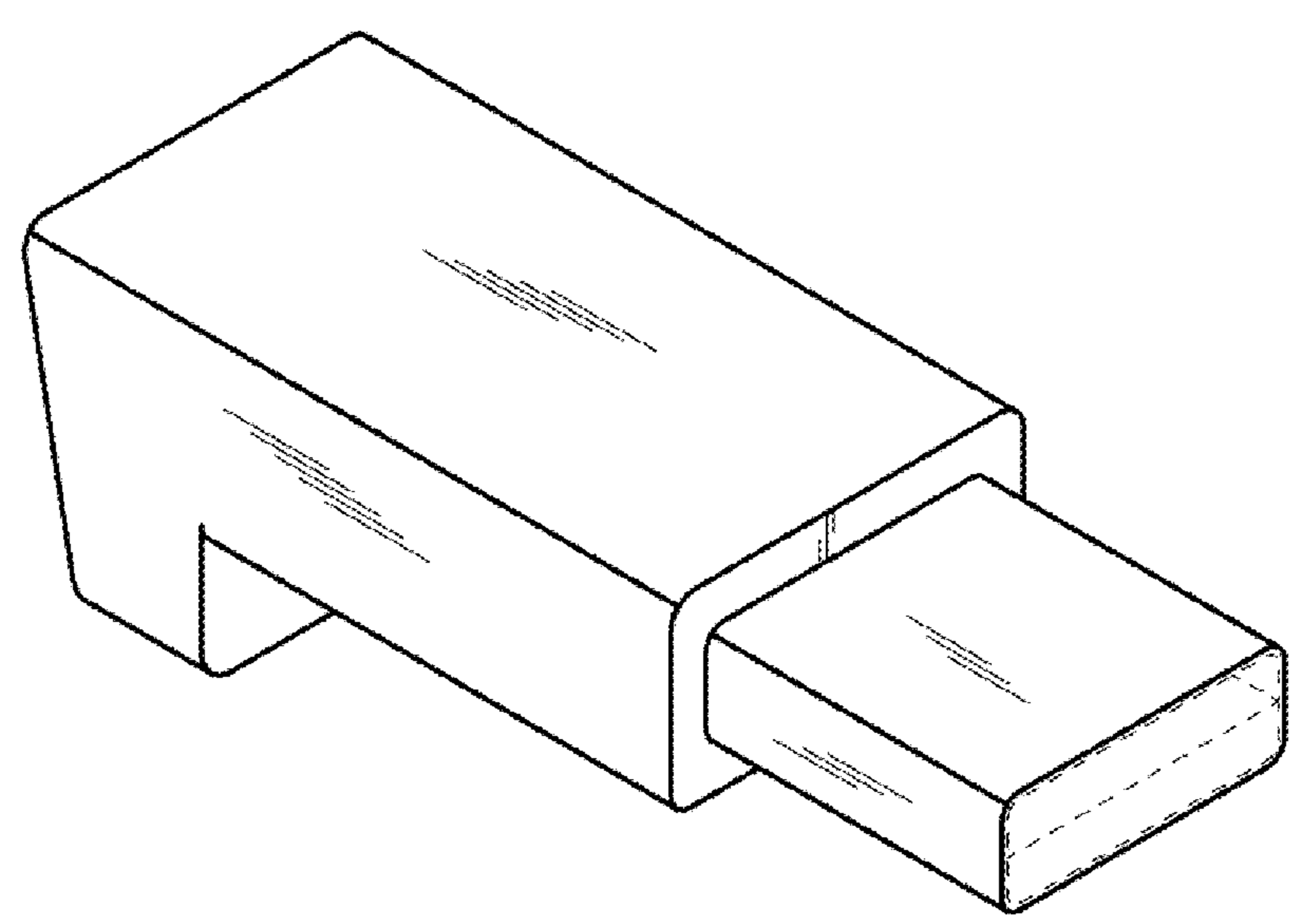


FIG. 1

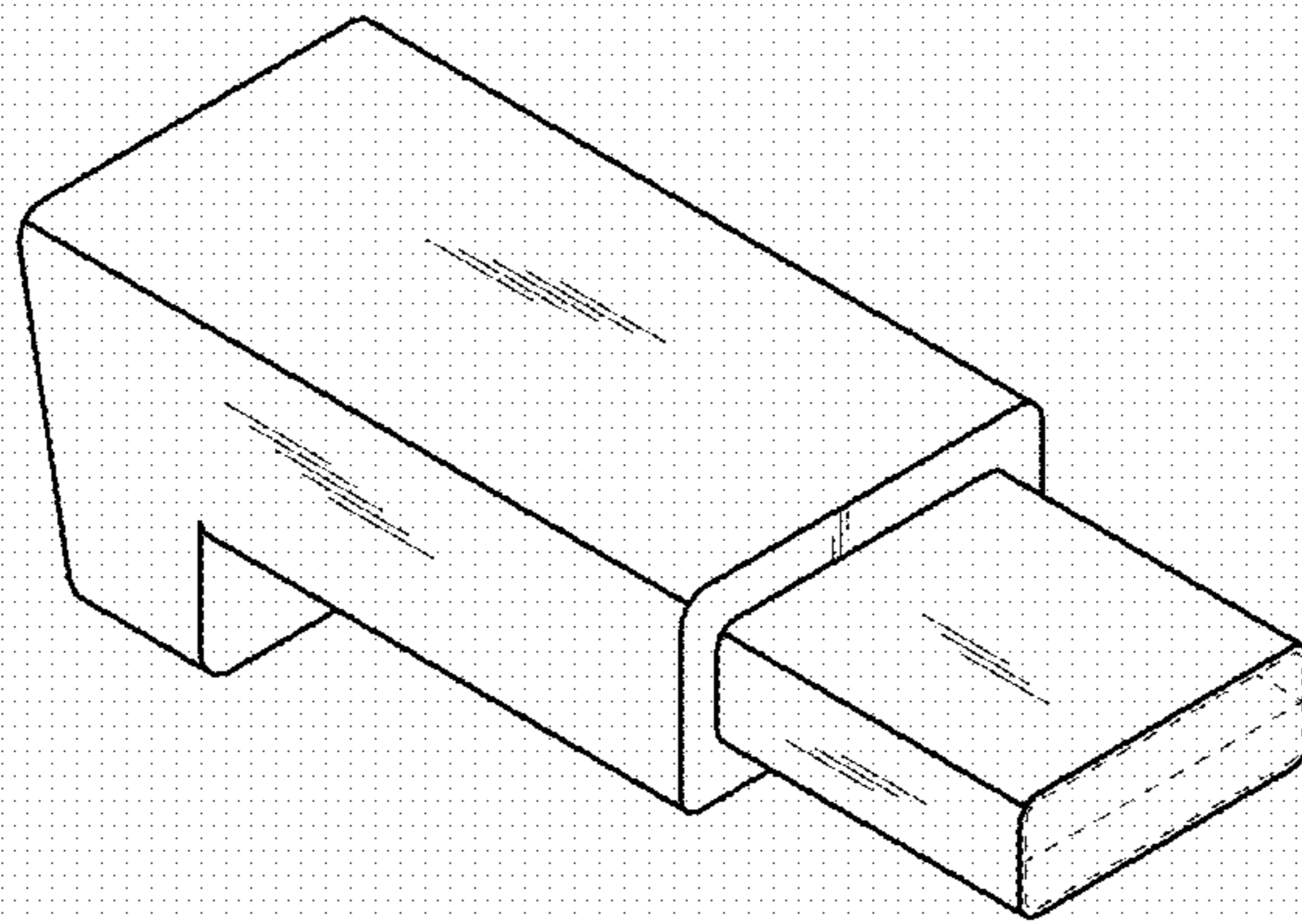


FIG.2



FIG.3

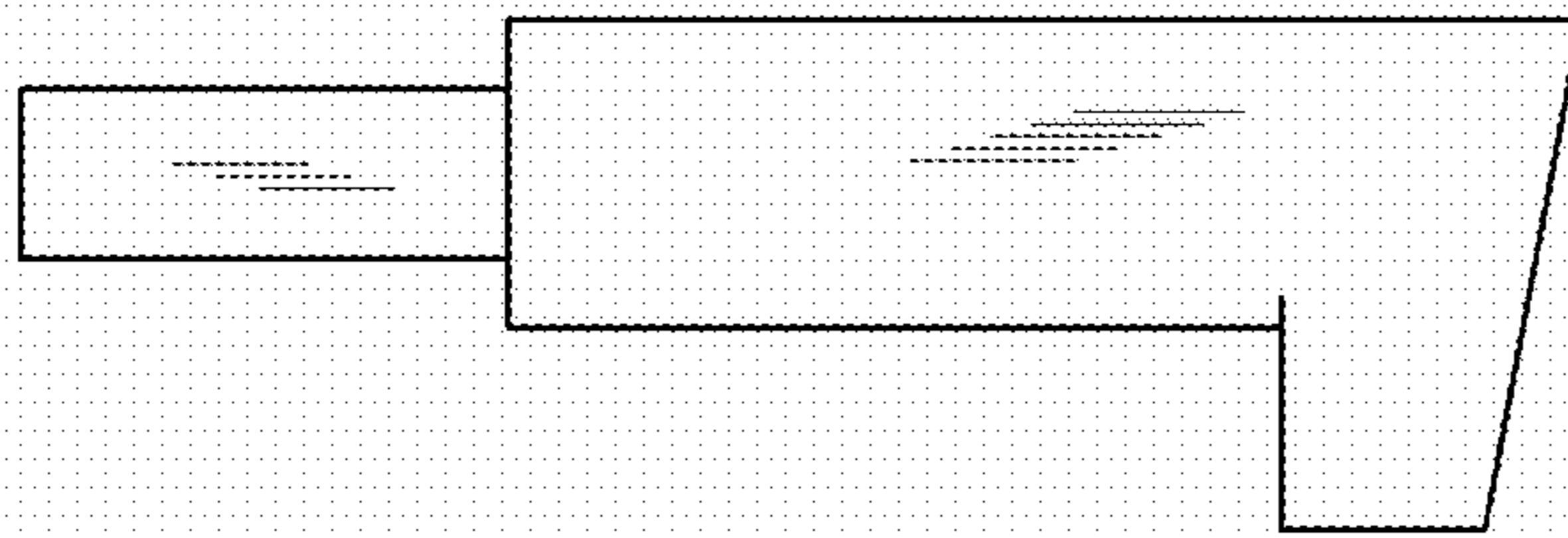


FIG.4

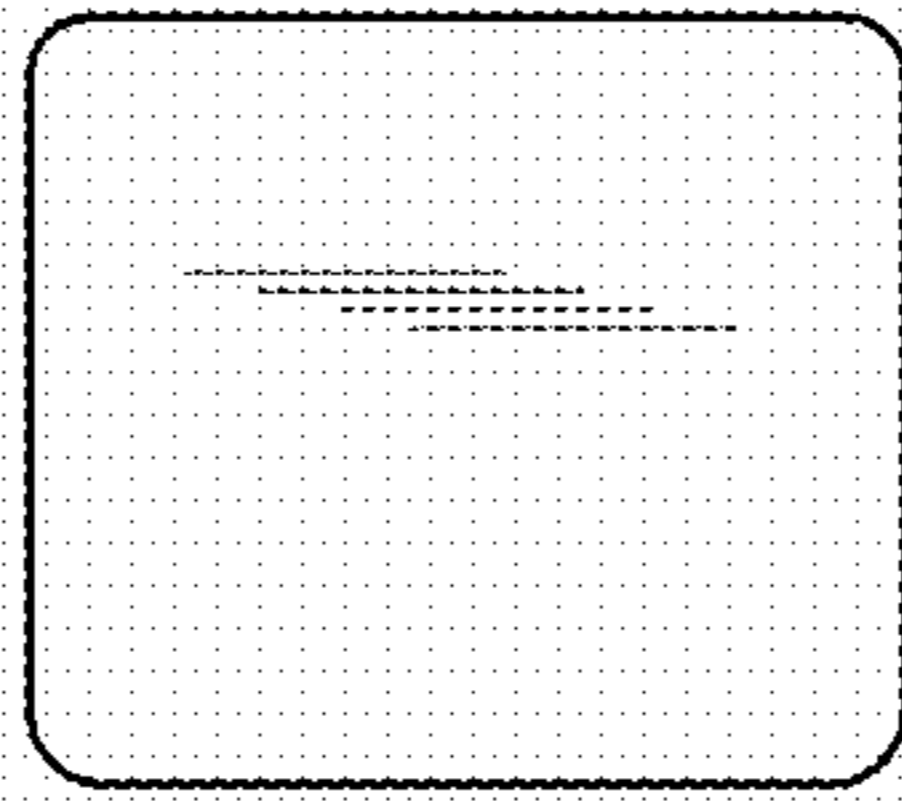


FIG.5

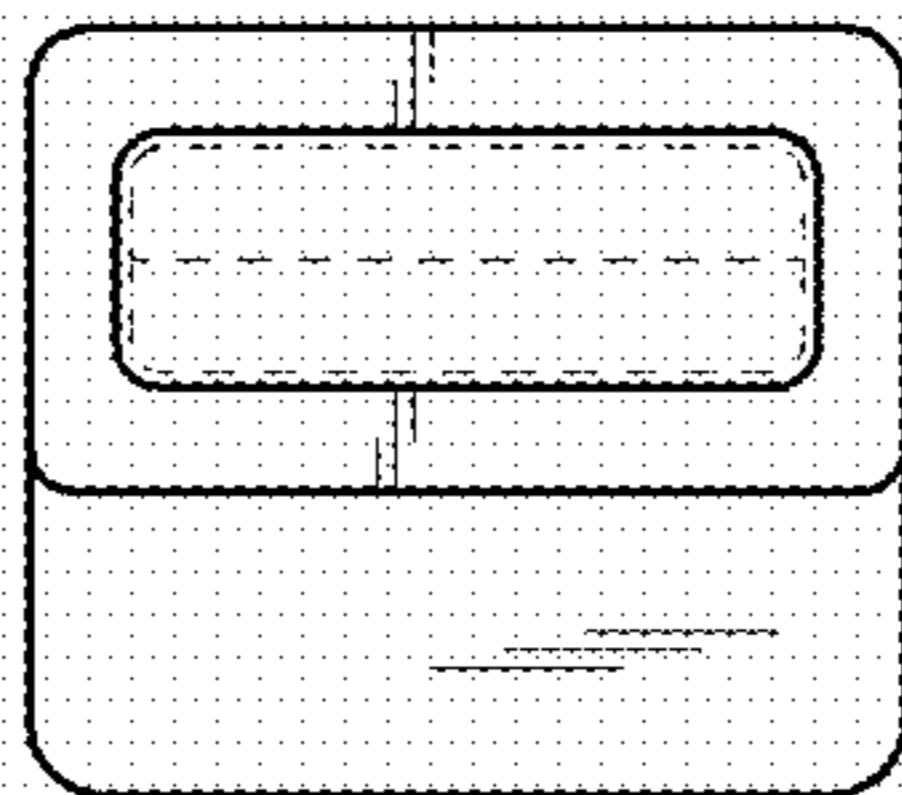


FIG.6

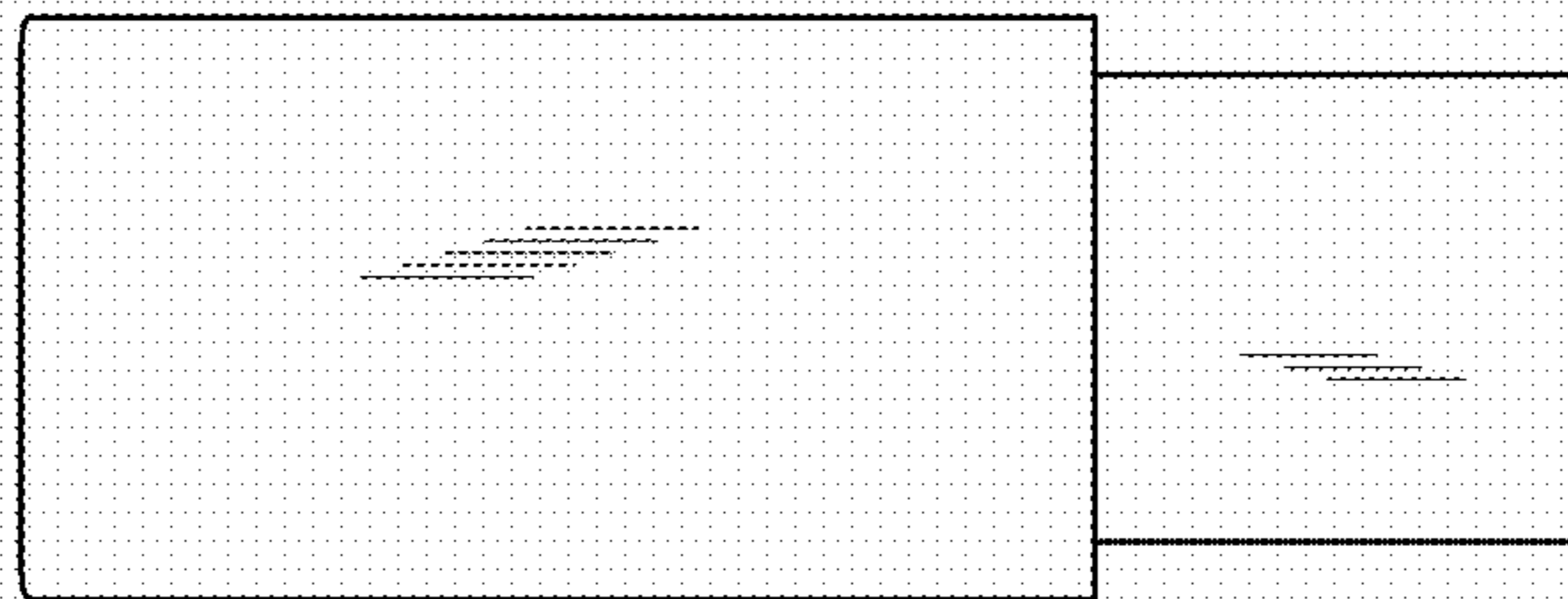


FIG.7

