



US00D759028S

(12) **United States Design Patent**  
**Emami et al.**

(10) **Patent No.:** **US D759,028 S**  
(45) **Date of Patent:** **\*\* Jun. 14, 2016**

- (54) **DATA ACCESSING DEVICE**
- (71) Applicant: **KINGSTON DIGITAL, INC.**, Fountain Valley, CA (US)
- (72) Inventors: **Arman Emami**, Fountain Valley, CA (US); **Feng-Sheng Lin**, Hsinchu (TW); **Peter Leekuo Chou**, Fountain Valley, CA (US); **Yu-kuo Huang**, Hsinchu (TW)
- (73) Assignee: **Kingston Digital, Inc.**, Fountain Valley, CA (US)
- (\*\*) Term: **14 Years**
- (21) Appl. No.: **29/521,992**
- (22) Filed: **Mar. 26, 2015**
- (30) **Foreign Application Priority Data**

Dec. 31, 2014 (TW) ..... 103307736

- (51) **LOC (10) Cl.** ..... **14-02**
- (52) **U.S. Cl.**  
USPC ..... **D14/480.1**
- (58) **Field of Classification Search**  
USPC ..... D14/435.1, 480.1–480.7, 411, 433, 436,  
D14/484.1, 137, 155, 203.1–203.8, 240,  
D14/242, 133, 154  
CPC ..... H05K 5/0278; G06K 19/07732  
See application file for complete search history.

- (56) **References Cited**  
U.S. PATENT DOCUMENTS
- |              |         |              |       |           |
|--------------|---------|--------------|-------|-----------|
| D513,005 S * | 12/2005 | Kobayakawa   | ..... | D14/480.1 |
| D542,789 S * | 5/2007  | Depay        | ..... | D14/435.1 |
| D583,374 S * | 12/2008 | Otsuka       | ..... | D14/480.5 |
| D623,192 S * | 9/2010  | Peng         | ..... | D14/480.6 |
| D631,053 S * | 1/2011  | Bailey       | ..... | D10/70    |
| D656,148 S * | 3/2012  | Schlossstein | ..... | D14/480.6 |

D662,941 S *	7/2012	Emami	.....	D14/480.3
D706,277 S *	6/2014	Fukuoka	.....	D14/480.1
D706,278 S *	6/2014	Fukuoka	.....	D14/480.5
D709,513 S *	7/2014	Huang	.....	D14/480.3
D712,414 S *	9/2014	Tsai	.....	D14/480.6
8,929,063 B2 *	1/2015	Emami	.....	H05K 5/0278 361/679.32
D724,600 S *	3/2015	Hsieh	.....	D14/480.1

**FOREIGN PATENT DOCUMENTS**

KR 30-0481381-0000 2/2008

**OTHER PUBLICATIONS**

Office Action to the corresponding Taiwan Patent Application rendered by Taiwan Intellectual Property Office (TIPO) on May 28, 2015, 8 pages (including a summary English translation).

\* cited by examiner

*Primary Examiner* — Angela J Lee

(74) *Attorney, Agent, or Firm* — Skaar Ulbrich Macari, P.A.

(57) **CLAIM**

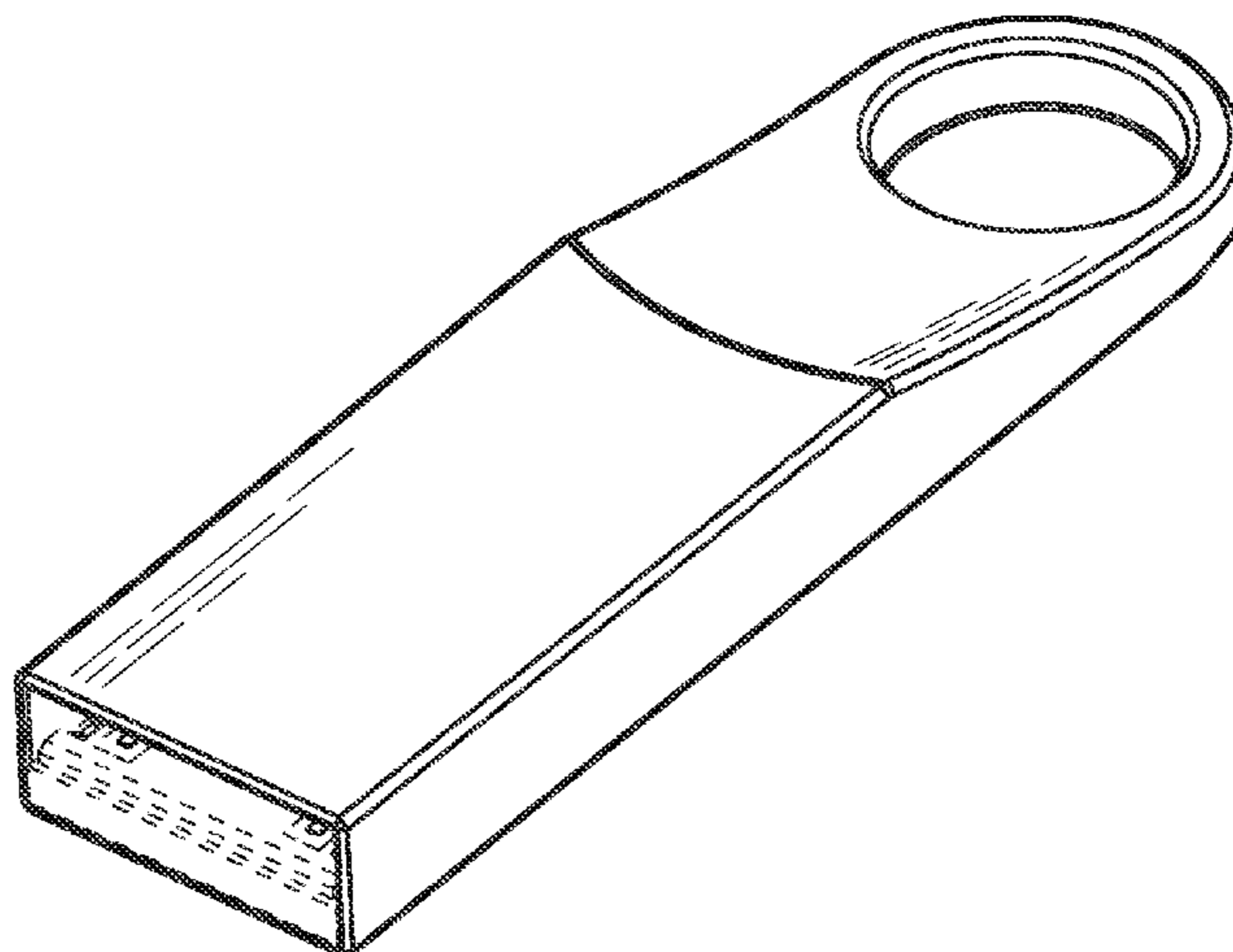
We claim the ornamental design for a data accessing device, as shown and described.

**DESCRIPTION**

FIG. 1 is a perspective view of a data accessing device showing the claimed design;  
 FIG. 2 is another perspective view of FIG. 1;  
 FIG. 3 is a front elevational view of FIG. 1;  
 FIG. 4 is a rear elevational view of FIG. 1;  
 FIG. 5 is a left side elevational view of FIG. 1;  
 FIG. 6 is a right side elevational view of FIG. 1;  
 FIG. 7 is a top plan view of FIG. 1; and,  
 FIG. 8 is a bottom plan view of FIG. 1.

The broken lines are directed to environment and are provided for illustrative purpose only; the broken lines form no part of the claimed design.

**1 Claim, 5 Drawing Sheets**



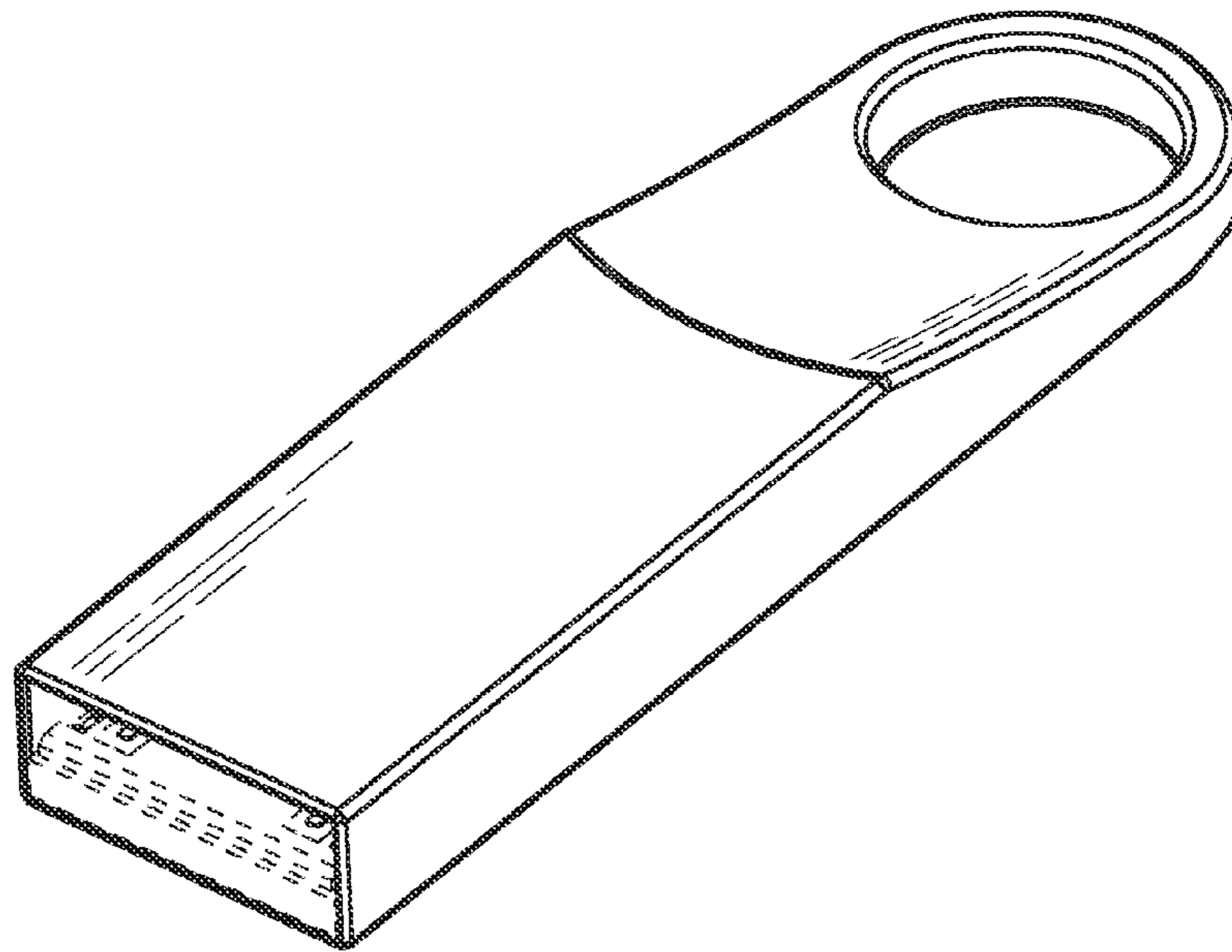


FIG. 1

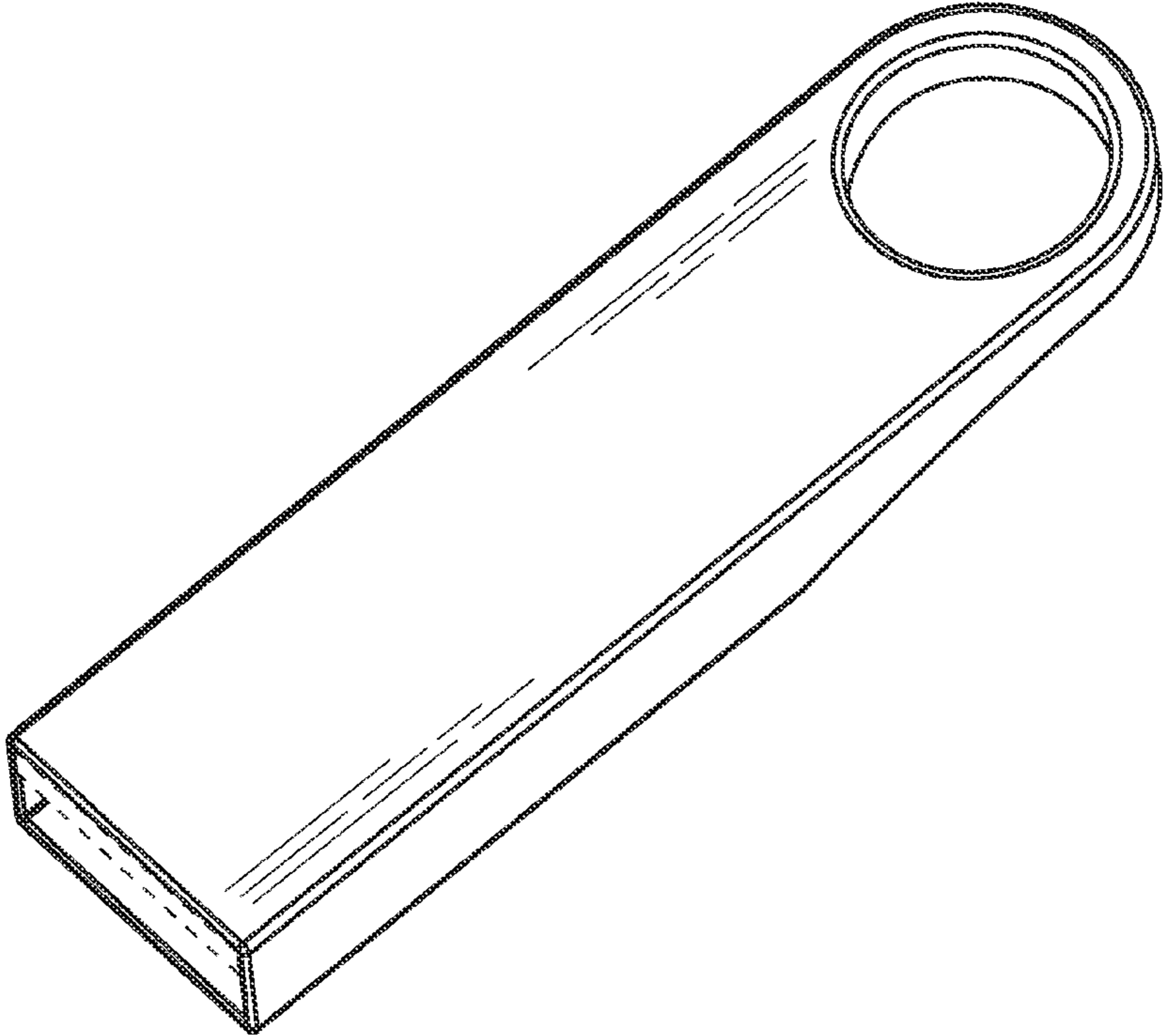


FIG. 2

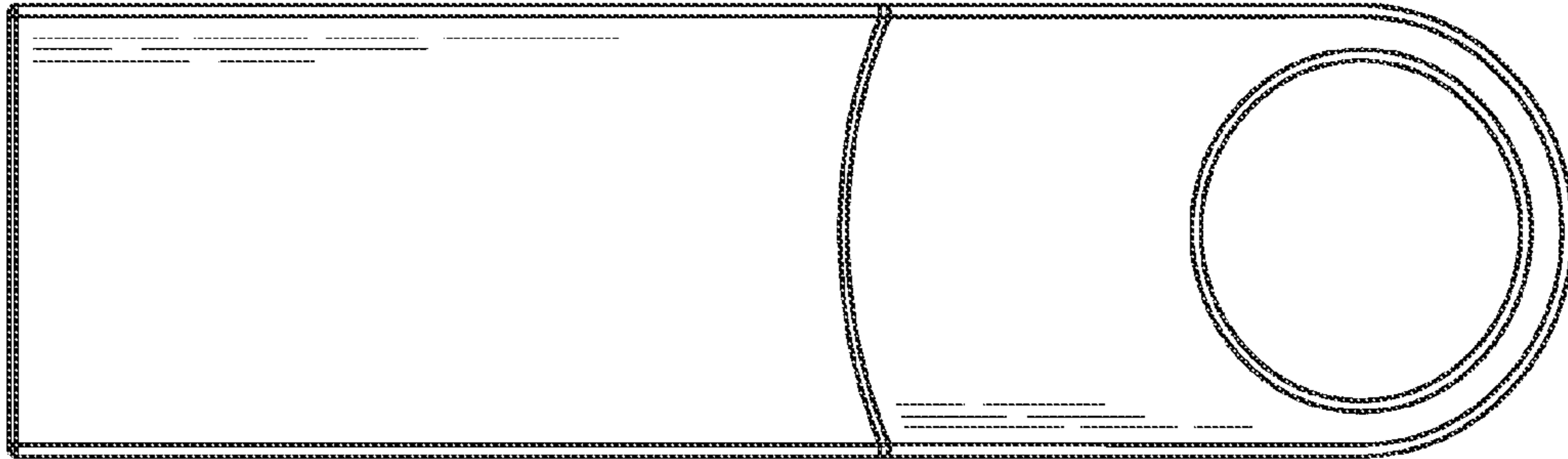


FIG. 3

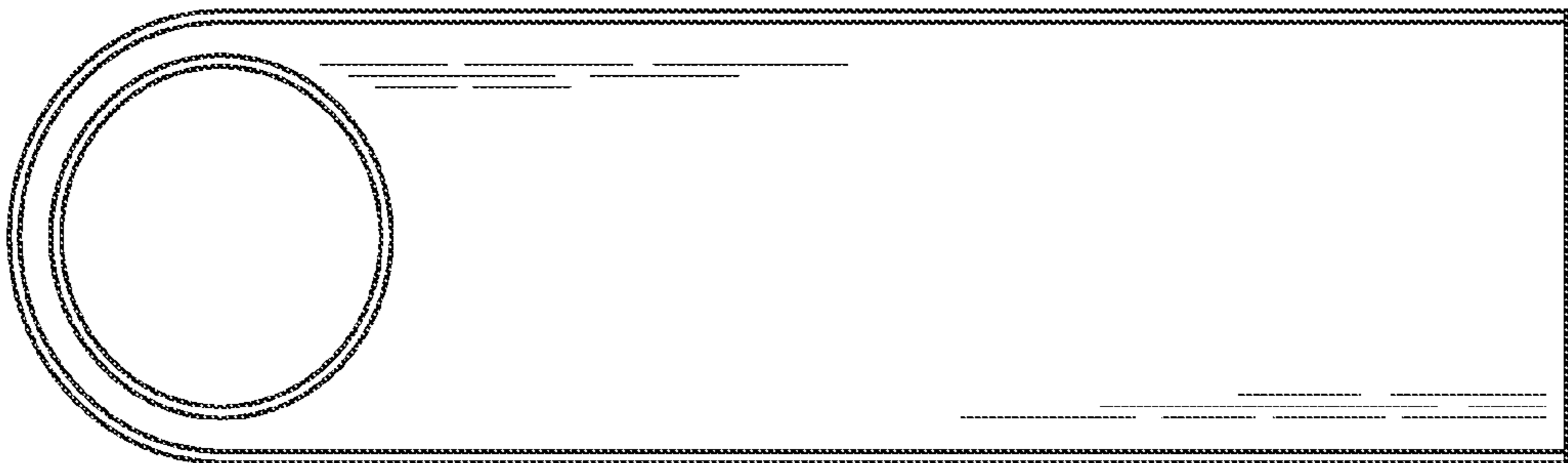


FIG. 4

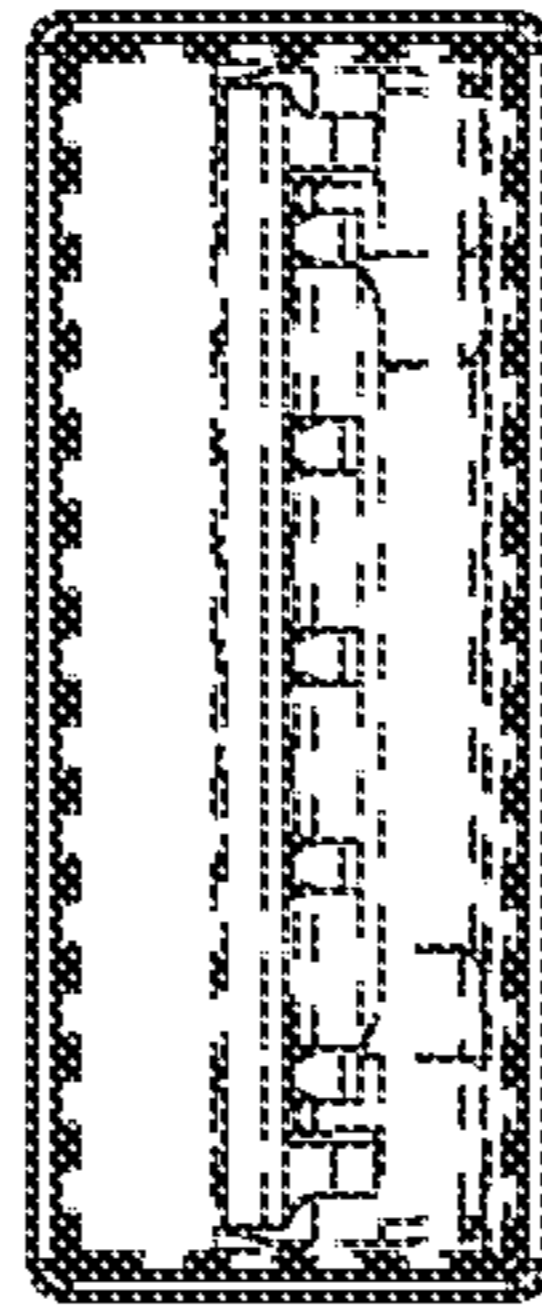


FIG. 5

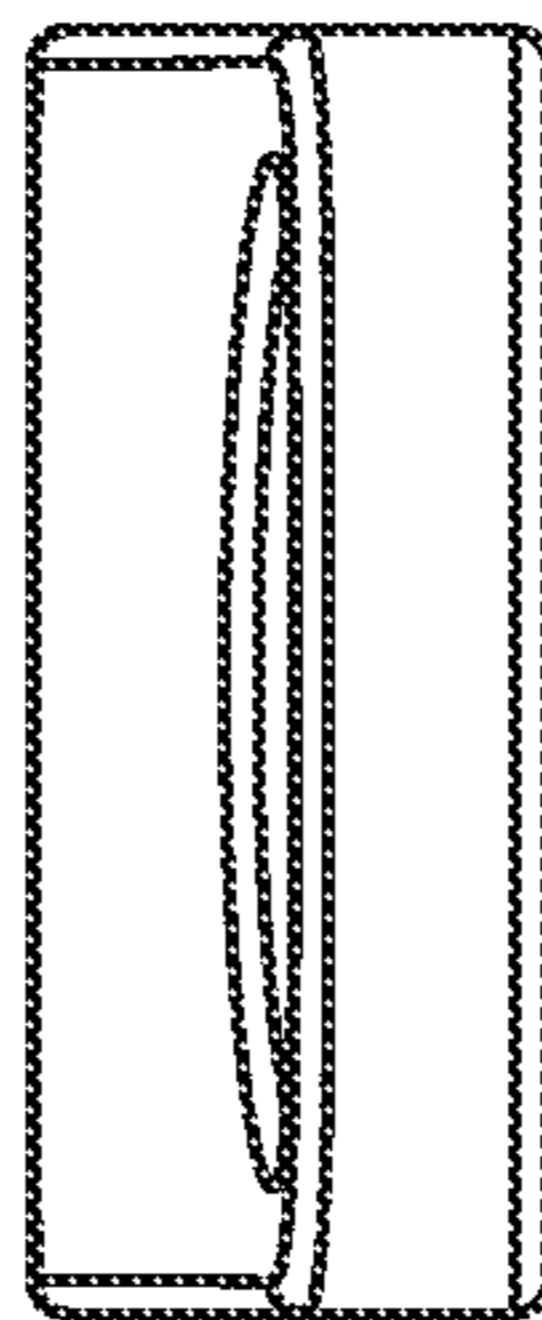


FIG. 6



FIG. 7



FIG. 8