



US00D759023S

(12) **United States Design Patent**
Liu

(10) **Patent No.:** **US D759,023 S**
(45) **Date of Patent:** **** Jun. 14, 2016**

(54) **ACCESSORY HOLDER WITH STAND**

(71) Applicant: **Hong Kong Genuine Co., LTD,**
GuangZhou (CN)

(72) Inventor: **Nian Xiang Liu,** HuNan Province (CN)

(73) Assignee: **Hong Kong Genuine Co., Ltd,**
Guangzhou (CN)

(**) Term: **14 Years**

(21) Appl. No.: **29/497,291**

(22) Filed: **Jul. 23, 2014**

(51) **LOC (10) Cl.** **14-02**

(52) **U.S. Cl.**
USPC **D14/440; D14/253**

(58) **Field of Classification Search**
USPC D3/218, 215, 201, 294, 289, 900, 318;
D14/454, 402, 250, 440, 253;
428/40.1; 200/302.1
CPC G06F 1/1675; G06F 1/1679; G02F 1/133;
G02F 1/133308; G02F 1/153; G02F 1/1533;
G02F 2001/133317; H04M 1/185; H04M
1/0252; H04B 1/3888; A45C 1/06; A45C
3/08

See application file for complete search history.

(56) **References Cited**

U.S. PATENT DOCUMENTS

- 5,950,299 A * 9/1999 Perez-Alderete B44C 3/042
264/DIG. 30
- D435,391 S * 12/2000 Durst D7/354
- D438,536 S * 3/2001 Willison D14/253
- D444,677 S * 7/2001 Flye D7/554.2
- D447,334 S * 9/2001 Williams D3/215
- D486,645 S * 2/2004 Smith D3/306
- D495,749 S * 9/2004 Van Veen D20/32
- D527,493 S * 8/2006 Collins D29/119

- D642,579 S * 8/2011 Deutsch D14/440
- D649,145 S * 11/2011 LaFargue D14/253
- D669,462 S * 10/2012 Avrahami D14/253
- D689,045 S * 9/2013 Mardas D14/253
- D700,610 S * 3/2014 Deutsch D14/440
- D720,757 S * 1/2015 Elliott D14/440
- D721,376 S * 1/2015 Lee D14/440
- 2007/0215512 A1 * 9/2007 Bellissimo A47G 23/0625
206/557

* cited by examiner

Primary Examiner — Cynthia Underwood

(74) *Attorney, Agent, or Firm* — Myers Wolin, LLC

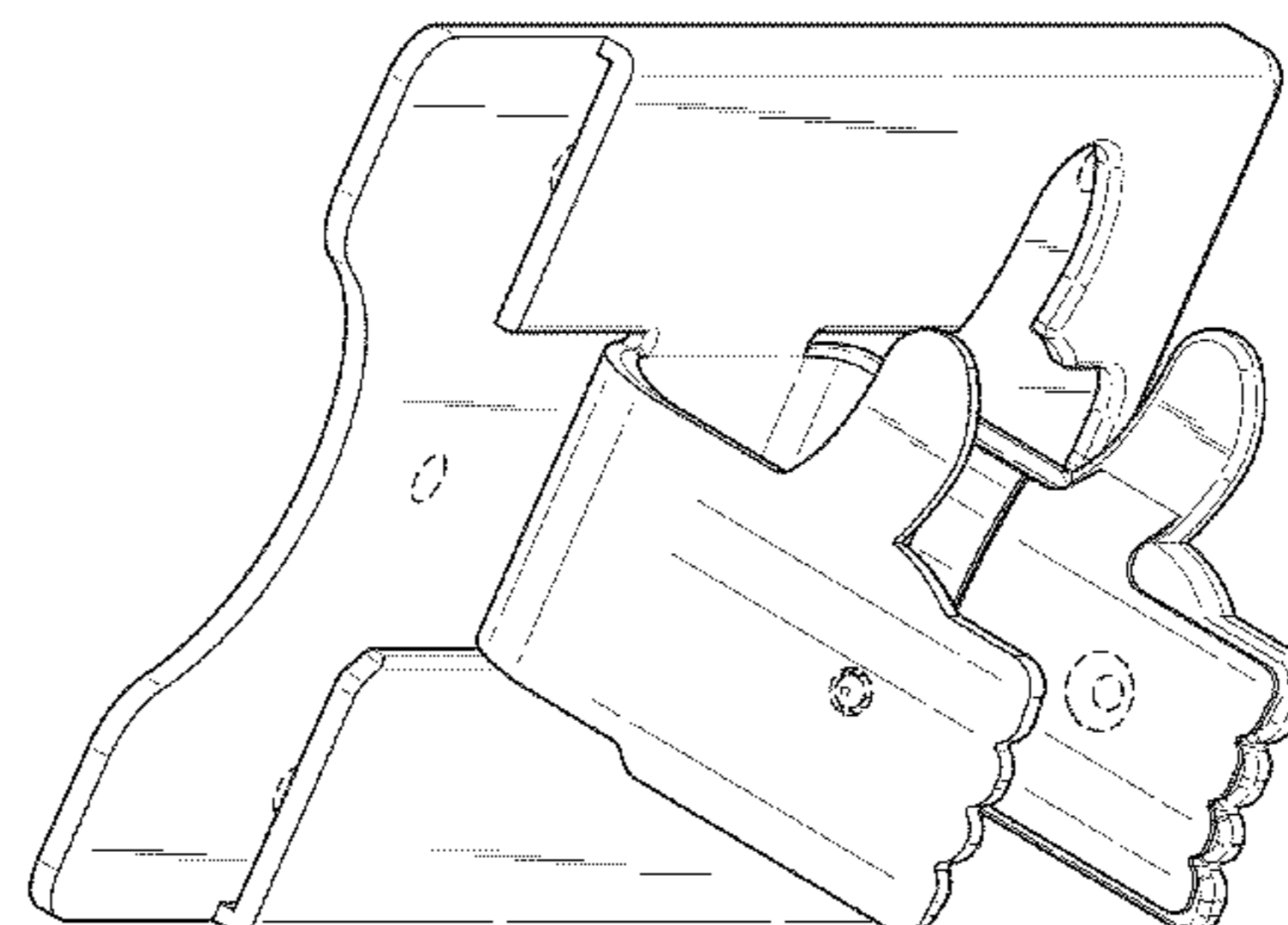
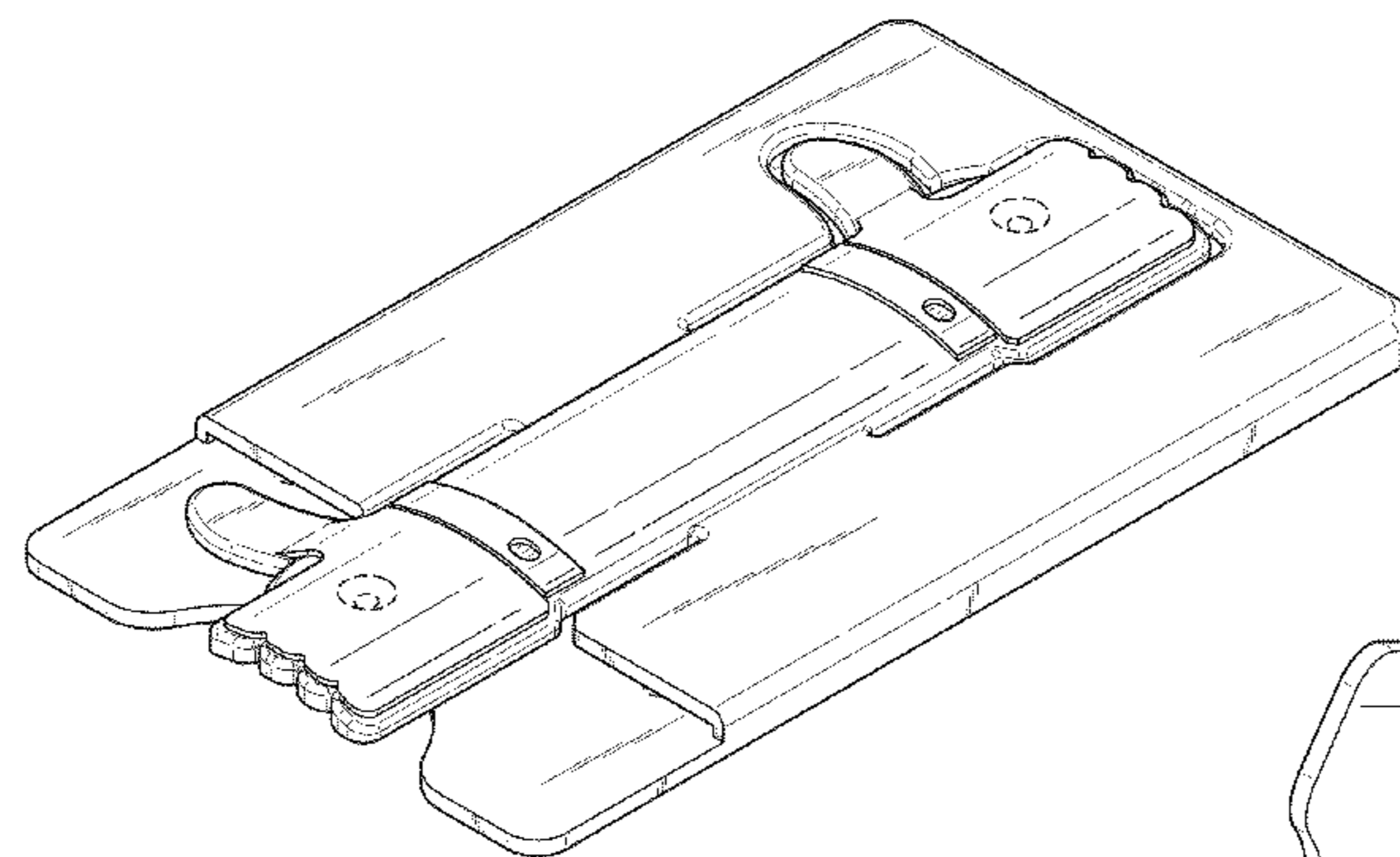
(57) **CLAIM**

The ornamental design for an accessory holder with stand, as shown and described.

DESCRIPTION

FIG. 1 is a perspective view taken from the front of one embodiment of an accessory holder with stand showing my new design with the stand shown in an unextended condition; FIG. 2 is a perspective view taken from the rear thereof; FIG. 3 is a top view thereof; FIG. 4 is a left side view thereof; FIG. 5 is a front view thereof; FIG. 6 is a right side view thereof; FIG. 7 is a bottom view thereof; FIG. 8 is a rear view thereof. FIG. 9 is a top view of one embodiment of the accessory holder with stand of FIG. 1 with the stand shown in one orientation of an extended condition; FIG. 10 is a perspective view taken from the rear thereof; and, FIG. 11 is a top view of one embodiment of the accessory holder with stand of FIG. 1 with the stand shown in an alternative orientation of an extended condition. The broken lines depict environmental subject matter and form no part of the claimed design.

1 Claim, 4 Drawing Sheets



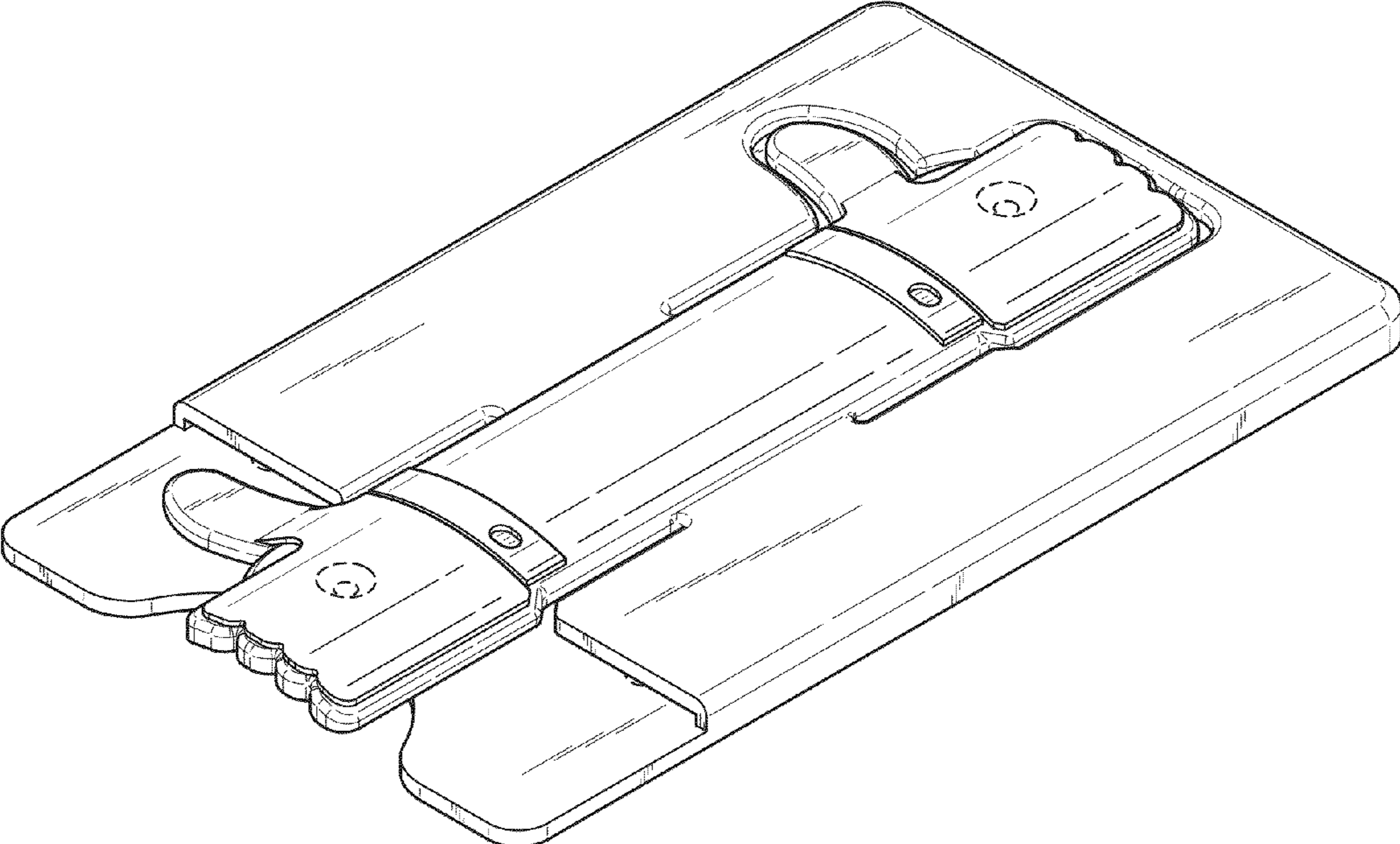


FIG. 1

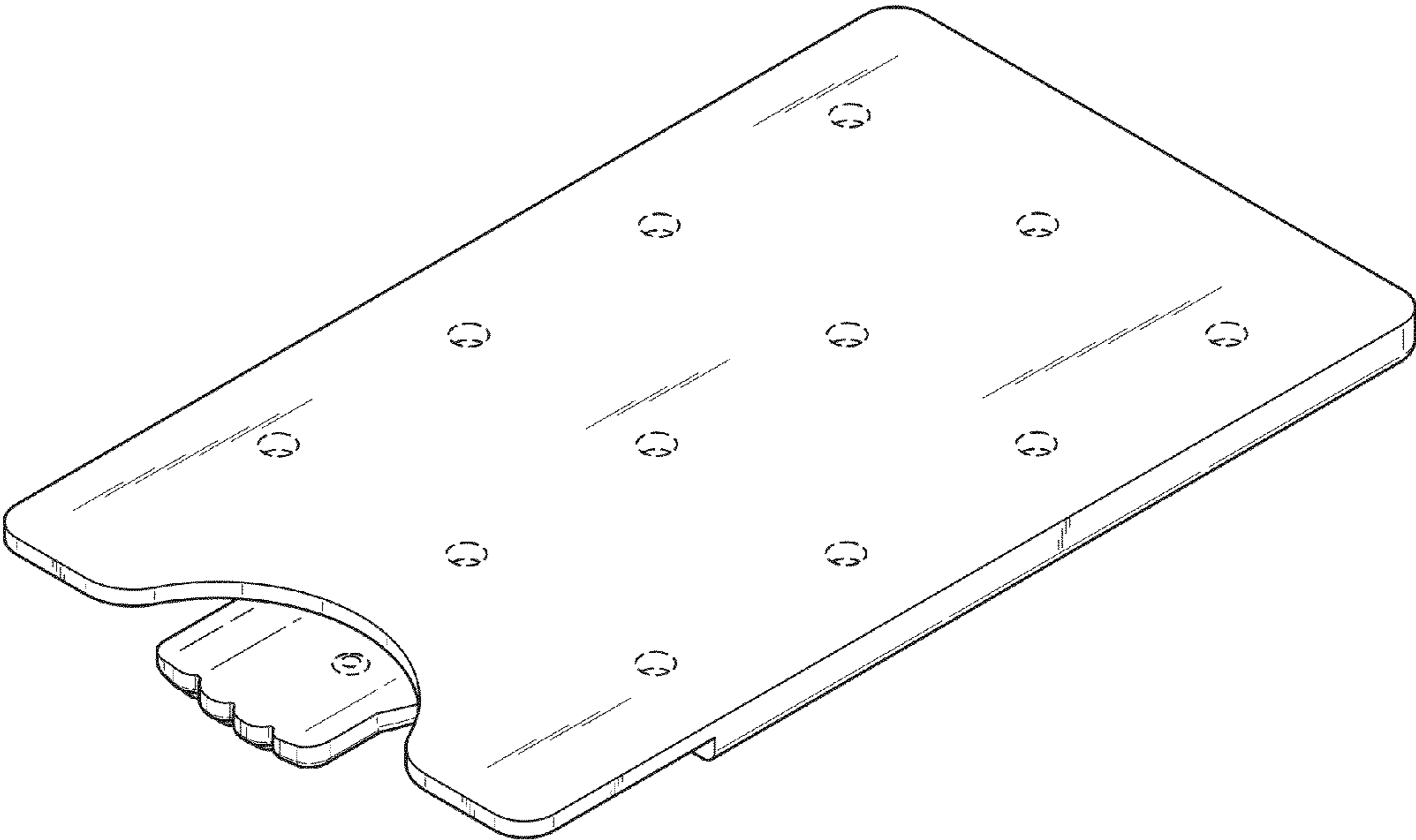


FIG. 2

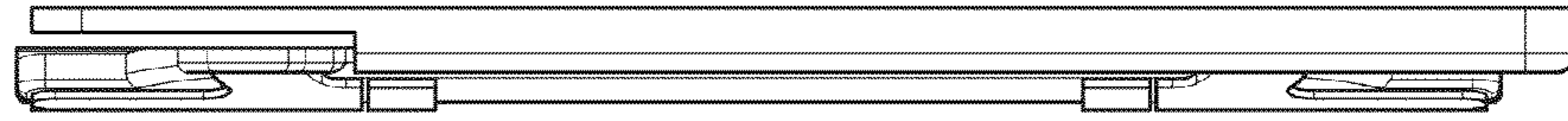


FIG. 3

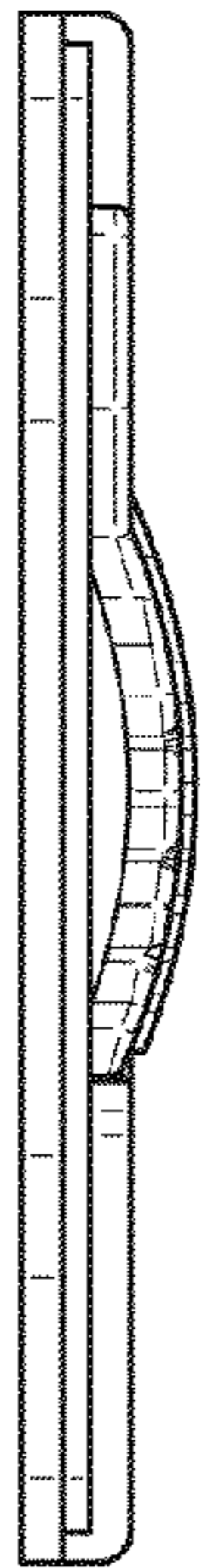


FIG. 4

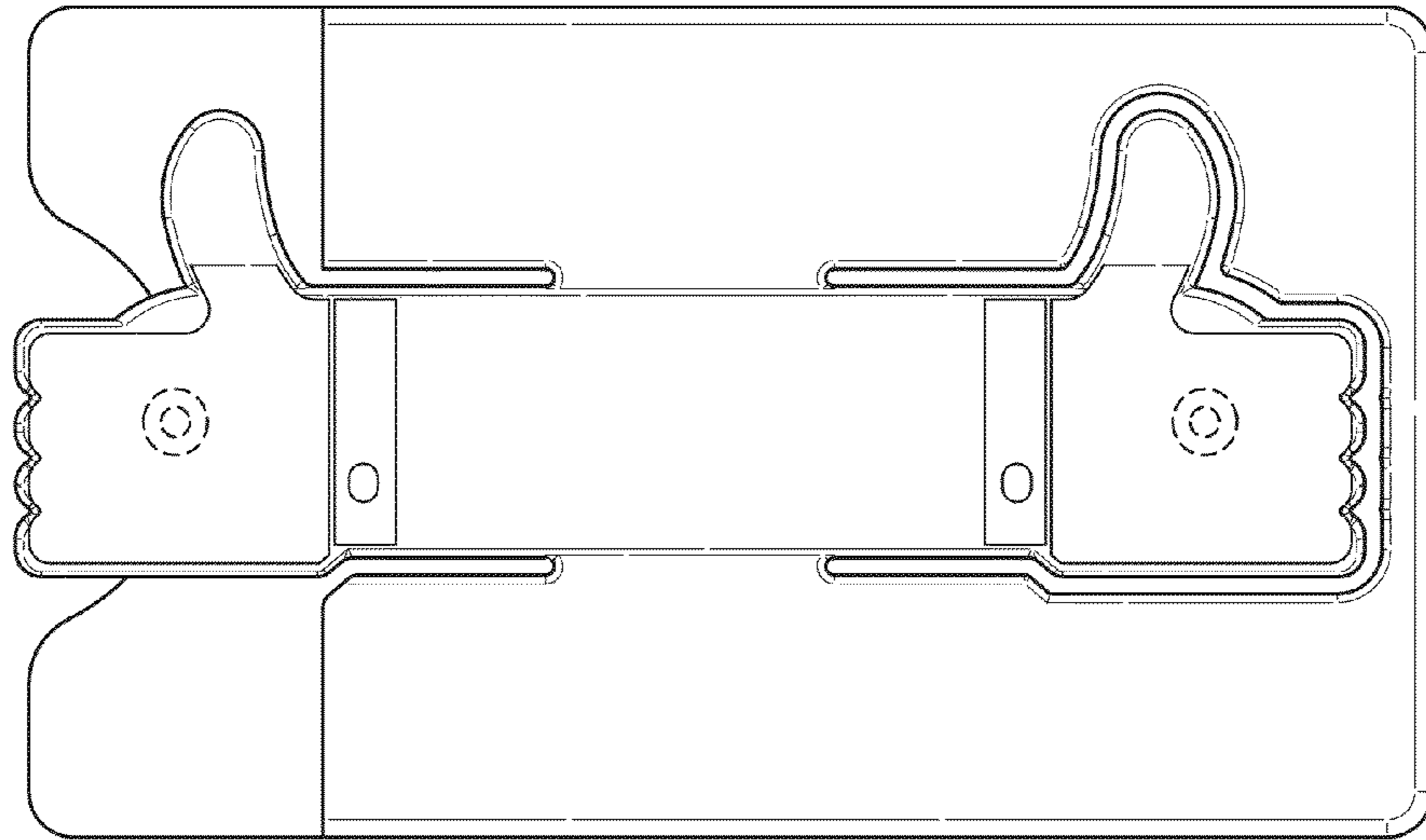


FIG. 5

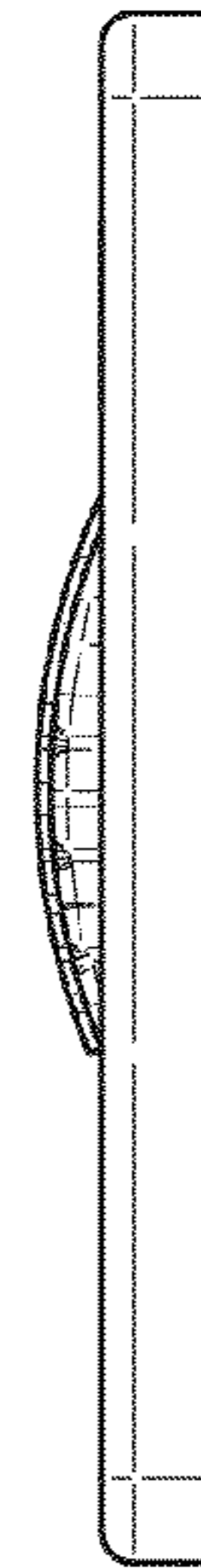


FIG. 6

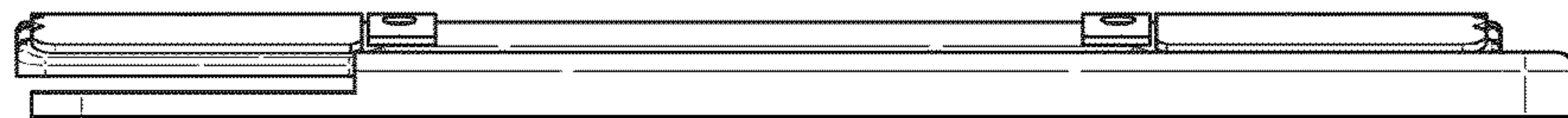


FIG. 7

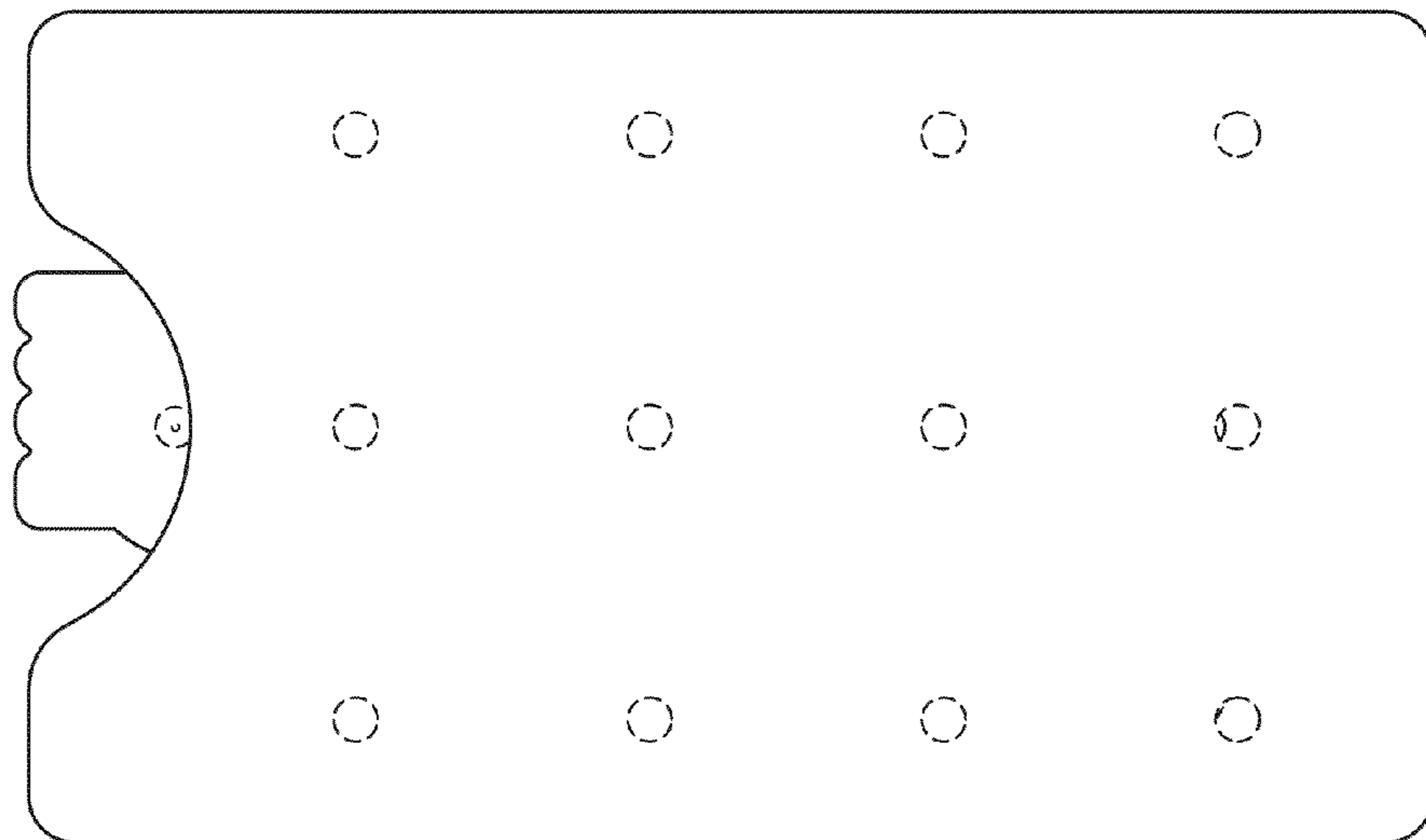


FIG. 8

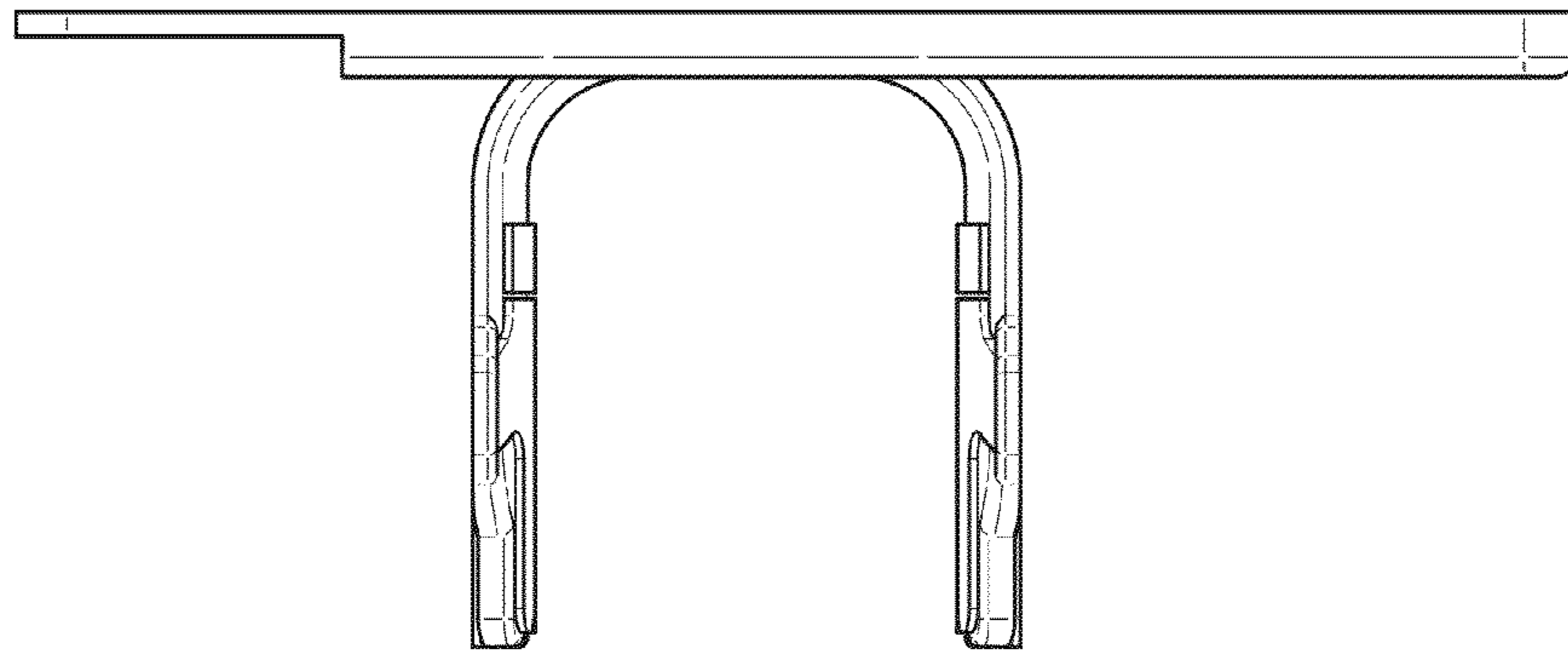


FIG. 9

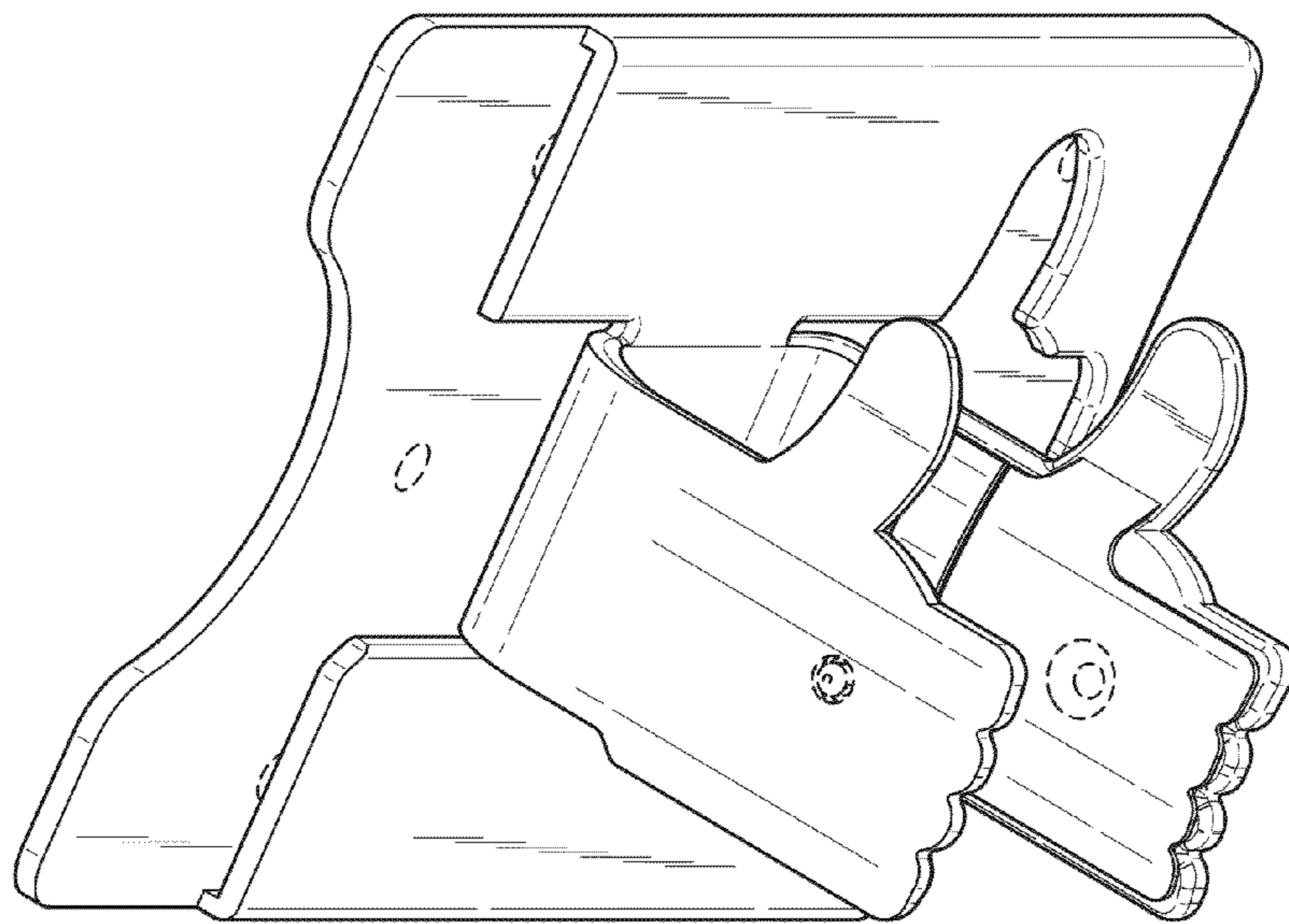


FIG. 10

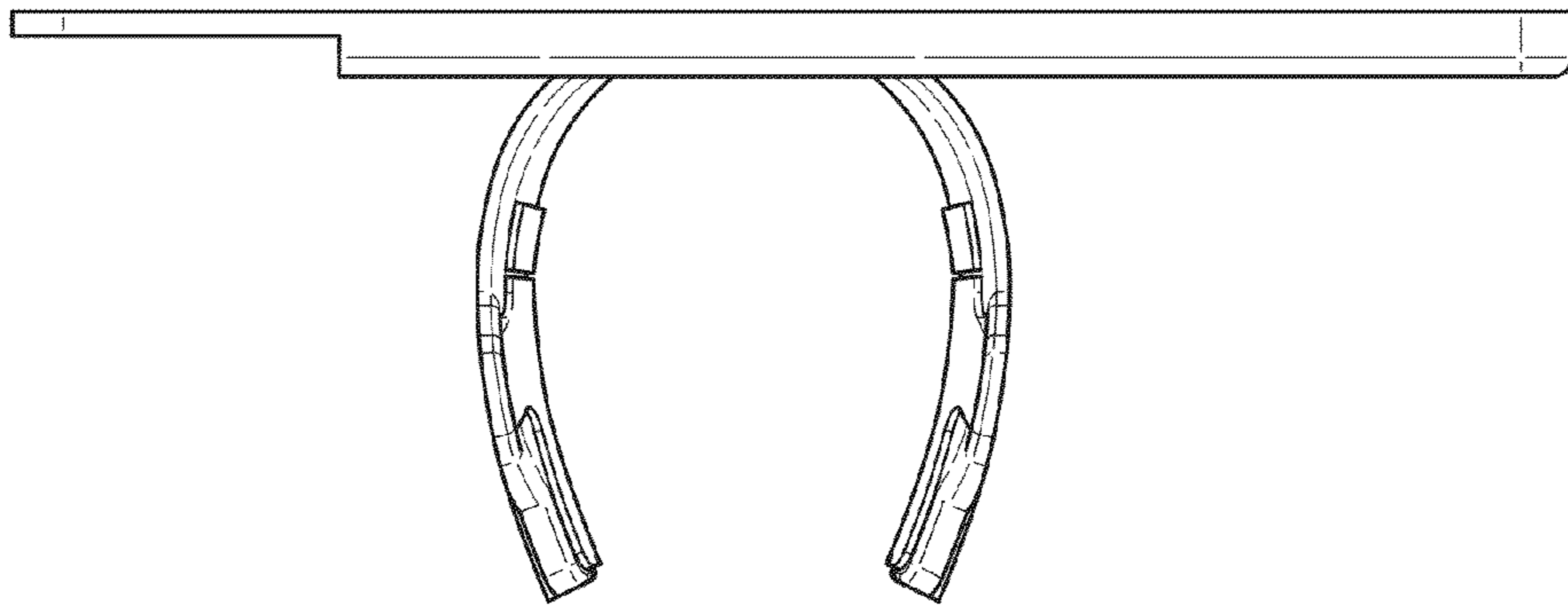


FIG. 11