



US00D759021S

(12) **United States Design Patent**  
**Shim**

(10) **Patent No.:** **US D759,021 S**  
(45) **Date of Patent:** **\*\* Jun. 14, 2016**

(54) **USB**  
(71) Applicant: **SAMSUNG ELECTRONICS CO., LTD.**, Suwon-si (KR)  
(72) Inventor: **Hyung-Sup Shim**, Seoul (KR)  
(73) Assignee: **SAMSUNG ELECTRONICS CO., LTD.**, Suwon-si (KR)

D655,708 S \* 3/2012 Frank ..... D14/435.1  
D668,664 S \* 10/2012 Zhou ..... D14/480.6  
D736,702 S \* 8/2015 Ovadia ..... D13/108  
D741,865 S \* 10/2015 Sundermeyer ..... D14/433  
2003/0183698 A1\* 10/2003 Wu ..... H05K 5/0278  
235/492  
2004/0083320 A1\* 4/2004 Yu ..... A44B 11/005  
710/62  
2009/0258516 A1\* 10/2009 Hiew ..... H01R 13/6395  
439/136  
2011/0312197 A1\* 12/2011 Li ..... H05K 5/0278  
439/142

(\*\*) Term: **15 Years**  
(21) Appl. No.: **29/529,038**

\* cited by examiner

(22) Filed: **Jun. 3, 2015**

*Primary Examiner* — Angela J Lee

(30) **Foreign Application Priority Data**

(74) *Attorney, Agent, or Firm* — Sughrue Mion, PLLC

Dec. 24, 2014 (KR) ..... 30-2014-0063135

(51) **LOC (10) Cl.** ..... **14-02**

(52) **U.S. Cl.**  
USPC ..... **D14/435.1**

(58) **Field of Classification Search**  
USPC ..... D14/435.1, 480.1–480.7, 411, 433, 436,  
D14/484.1, 137, 155, 203.1–203.8, 240,  
D14/242, 133, 154

CPC ..... H05K 5/0278; G06K 19/07732  
See application file for complete search history.

(56) **References Cited**

**U.S. PATENT DOCUMENTS**

D526,321 S \* 8/2006 Hayes ..... D14/435  
D630,640 S \* 1/2011 Kuo ..... D14/480.5  
D636,383 S \* 4/2011 Hao ..... D14/242  
D654,923 S \* 2/2012 Pan ..... D14/480.6

(57) **CLAIM**

I claim the ornamental design for USB, as shown and described.

**DESCRIPTION**

FIG. 1 is a front perspective view of USB showing our new design;  
FIG. 2 is a front view thereof;  
FIG. 3 is a rear view thereof;  
FIG. 4 is a left-side view thereof;  
FIG. 5 is a right-side view thereof;  
FIG. 6 is a top plan view thereof;  
FIG. 7 is a bottom plan view thereof;  
FIG. 8 is a rear perspective view thereof; and,  
FIG. 9 is another rear perspective view thereof to show the cap part can be rotated.

The broken lines are for environmental purposes only and form no part of the claimed design.

**1 Claim, 6 Drawing Sheets**

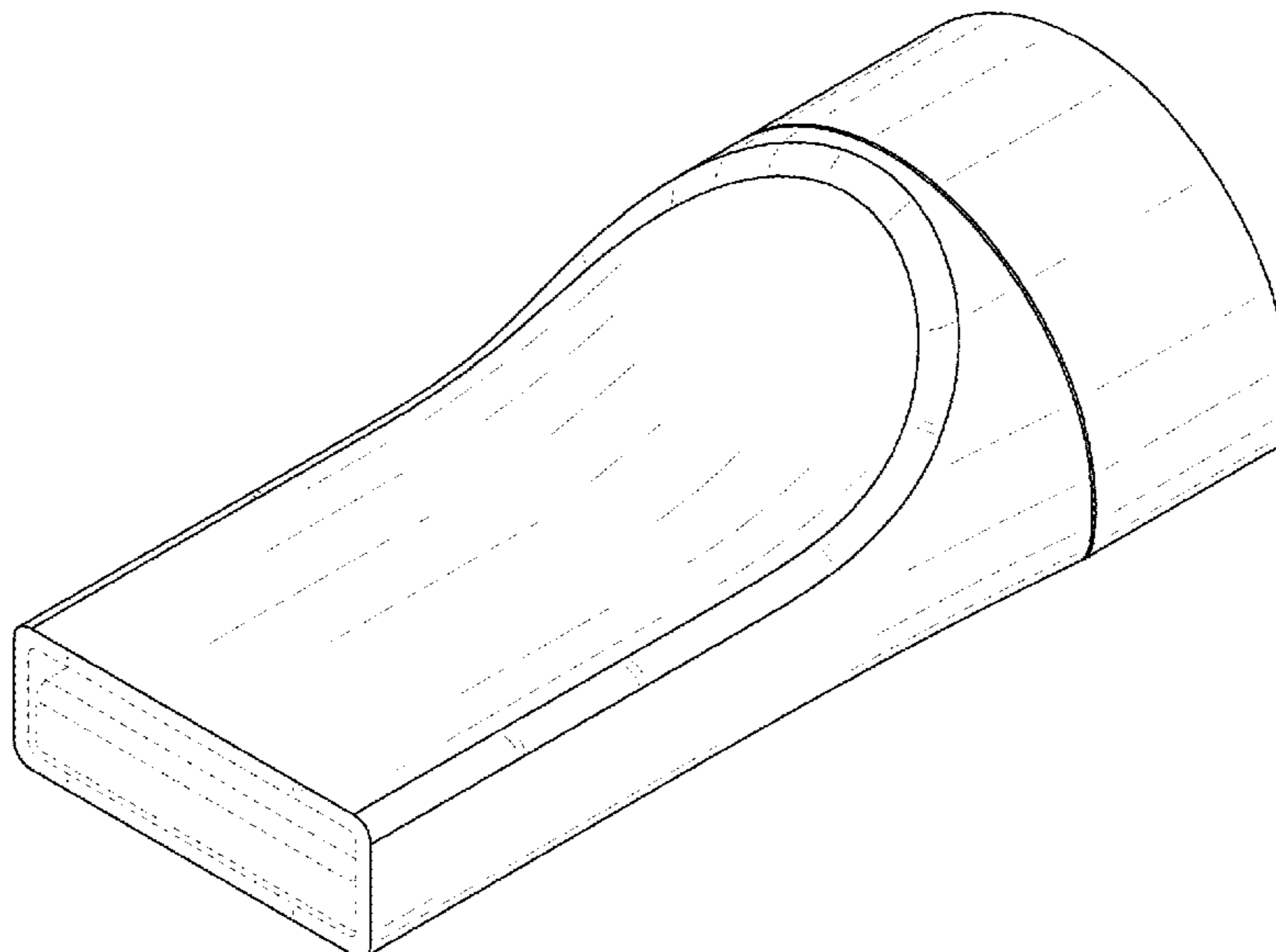


FIG. 1

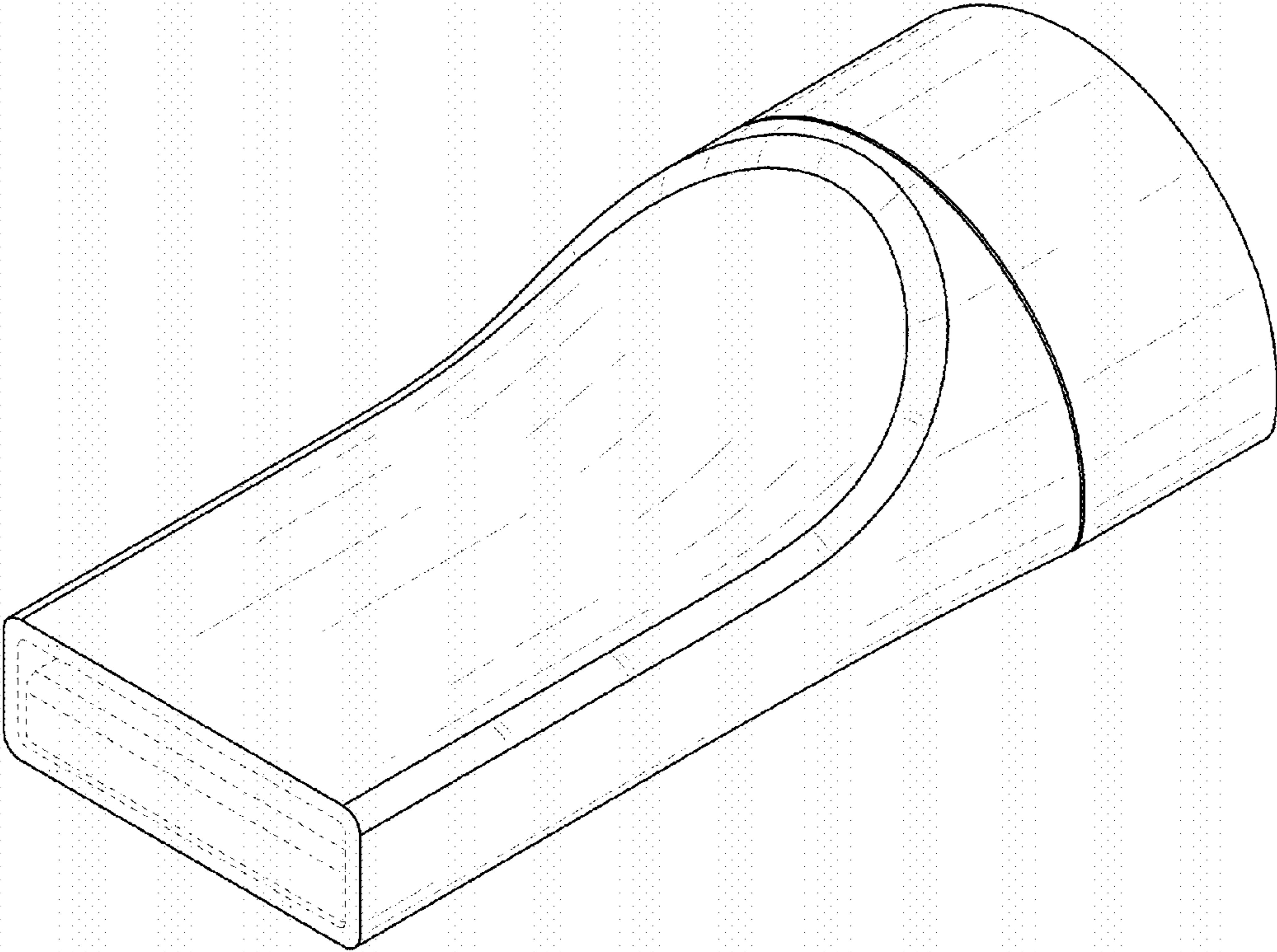


FIG. 2

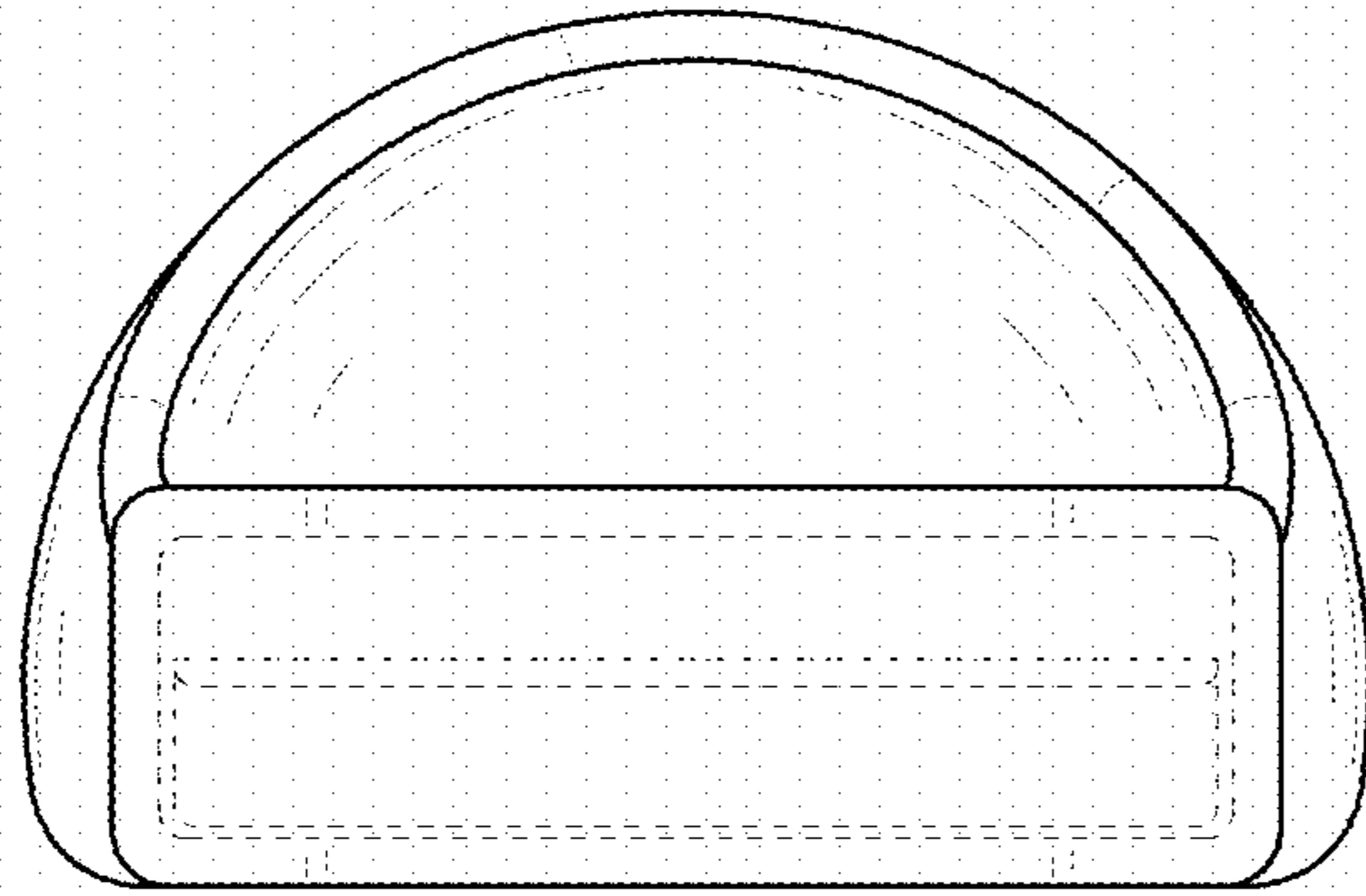


FIG. 3

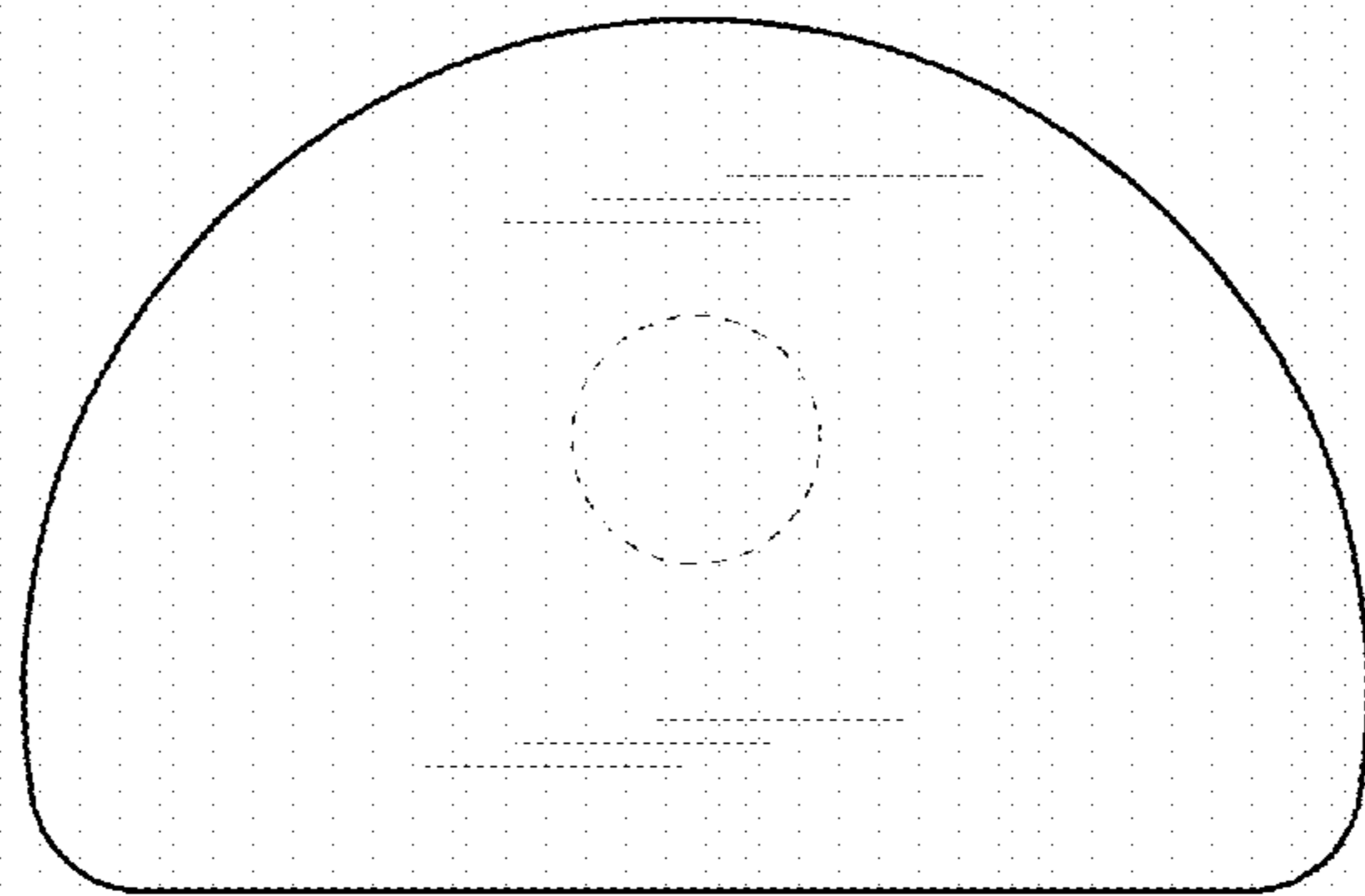


FIG. 4

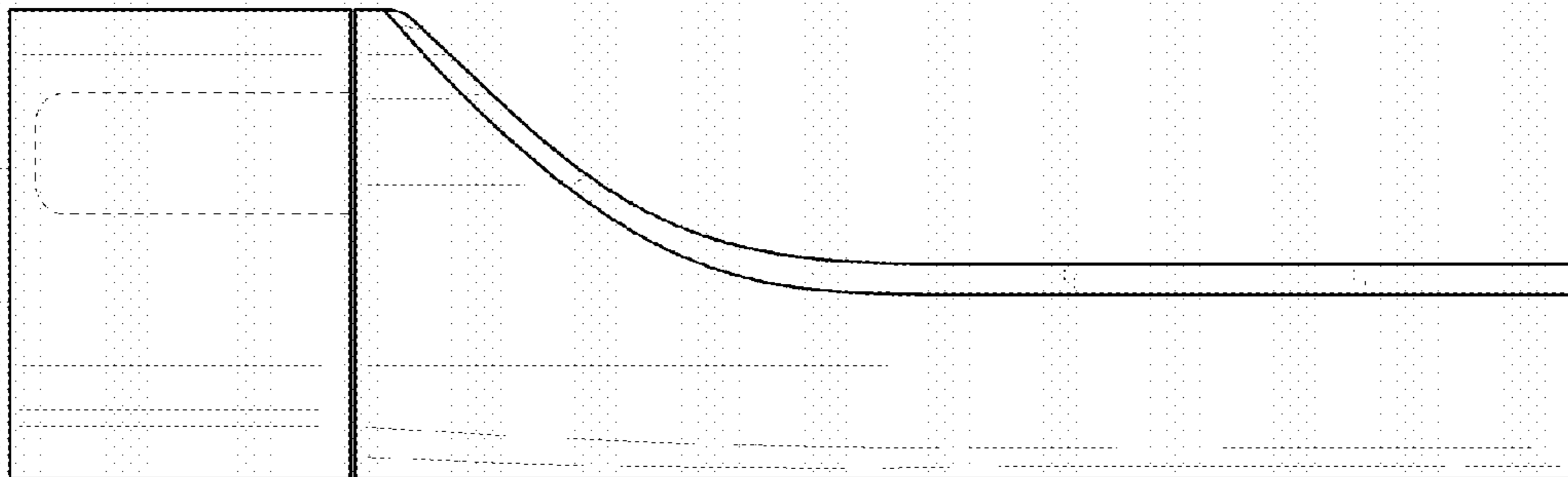


FIG. 5

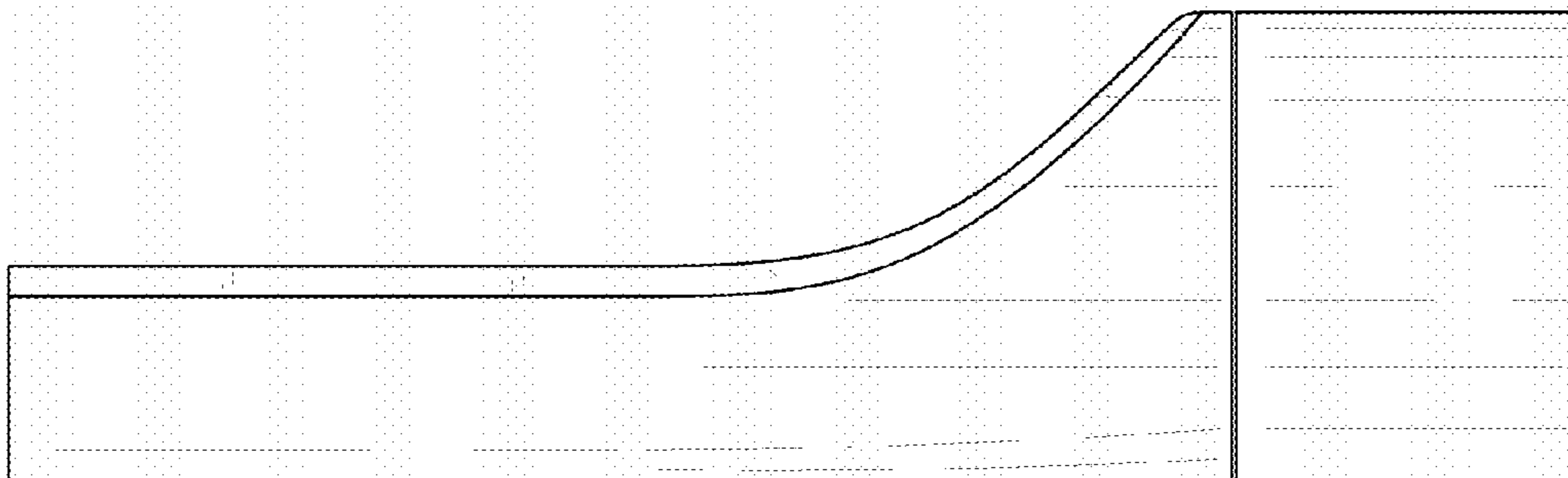


FIG. 6

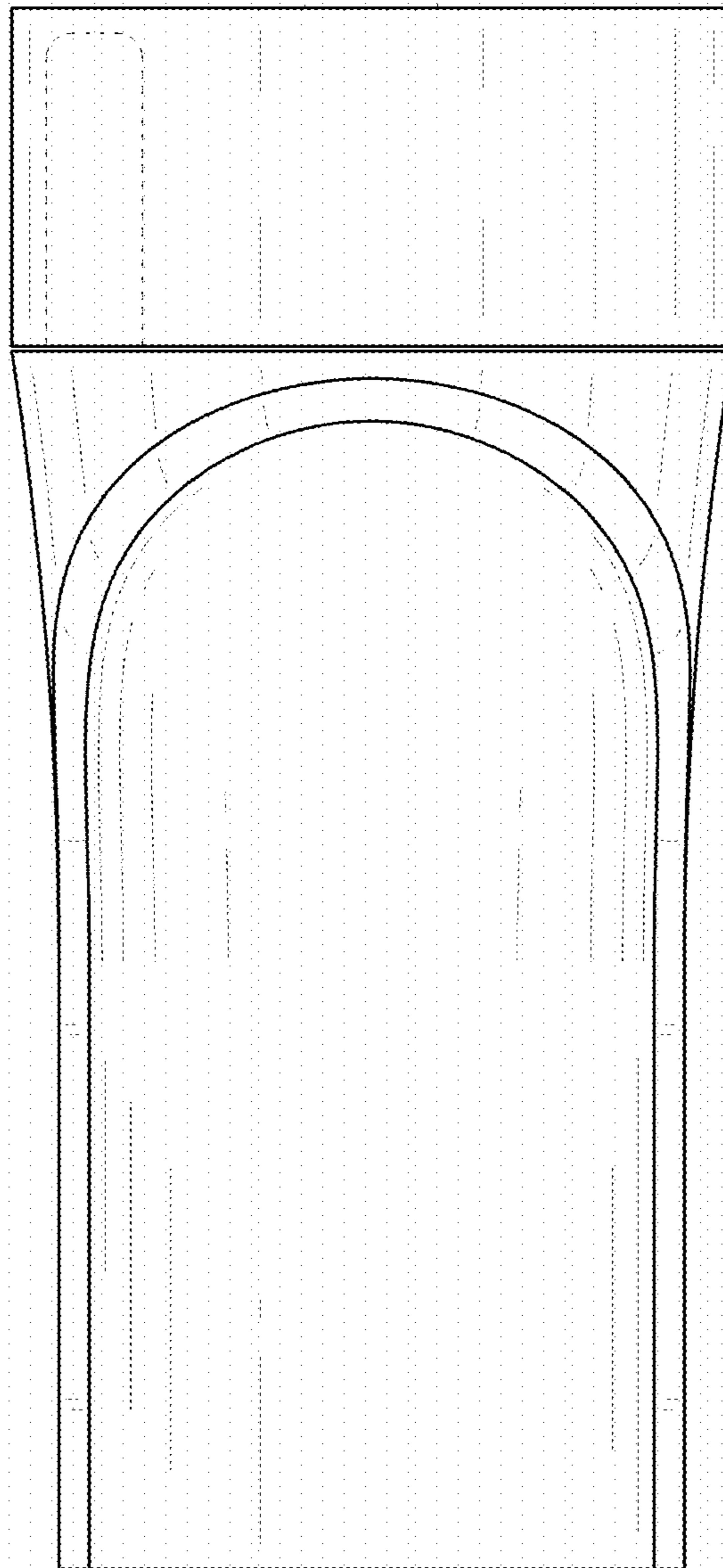


FIG. 7

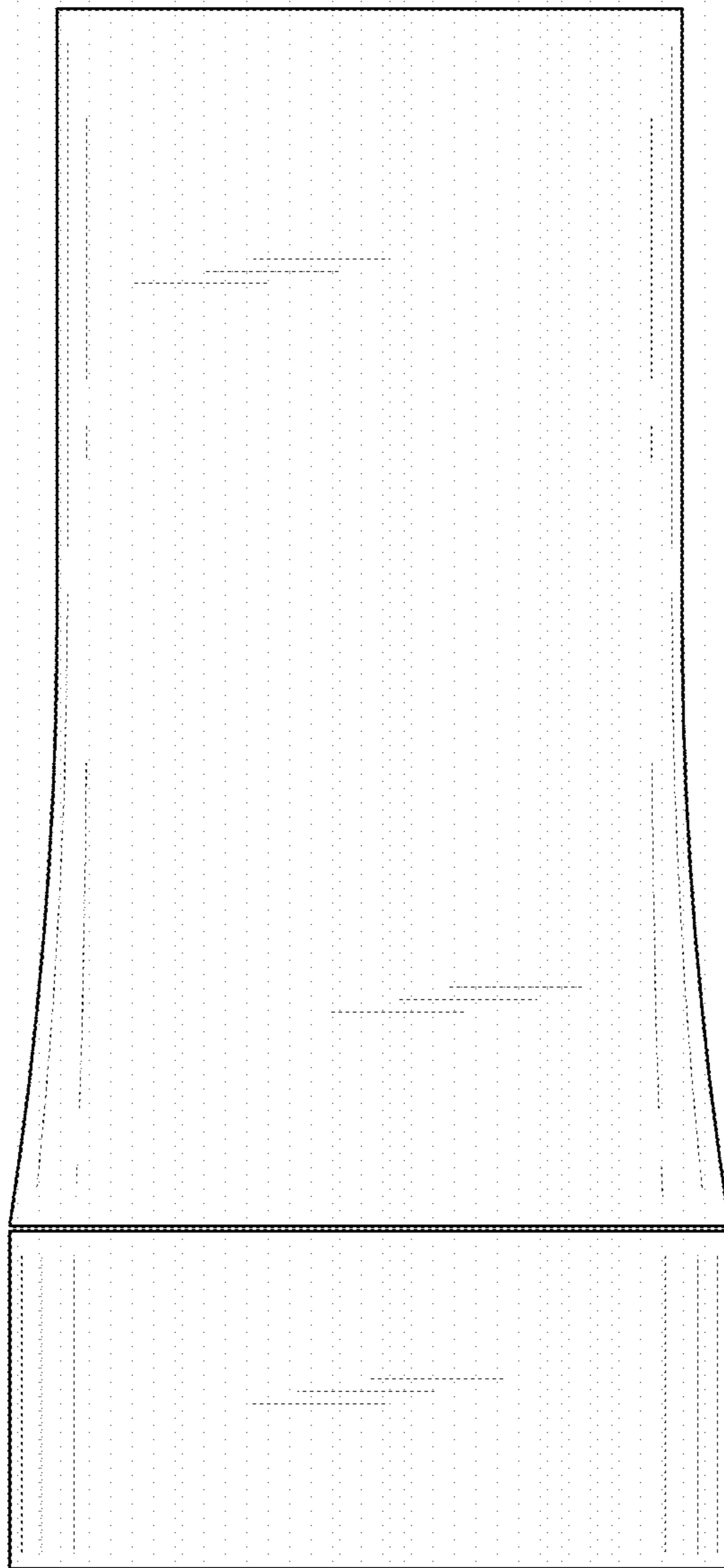


FIG. 8

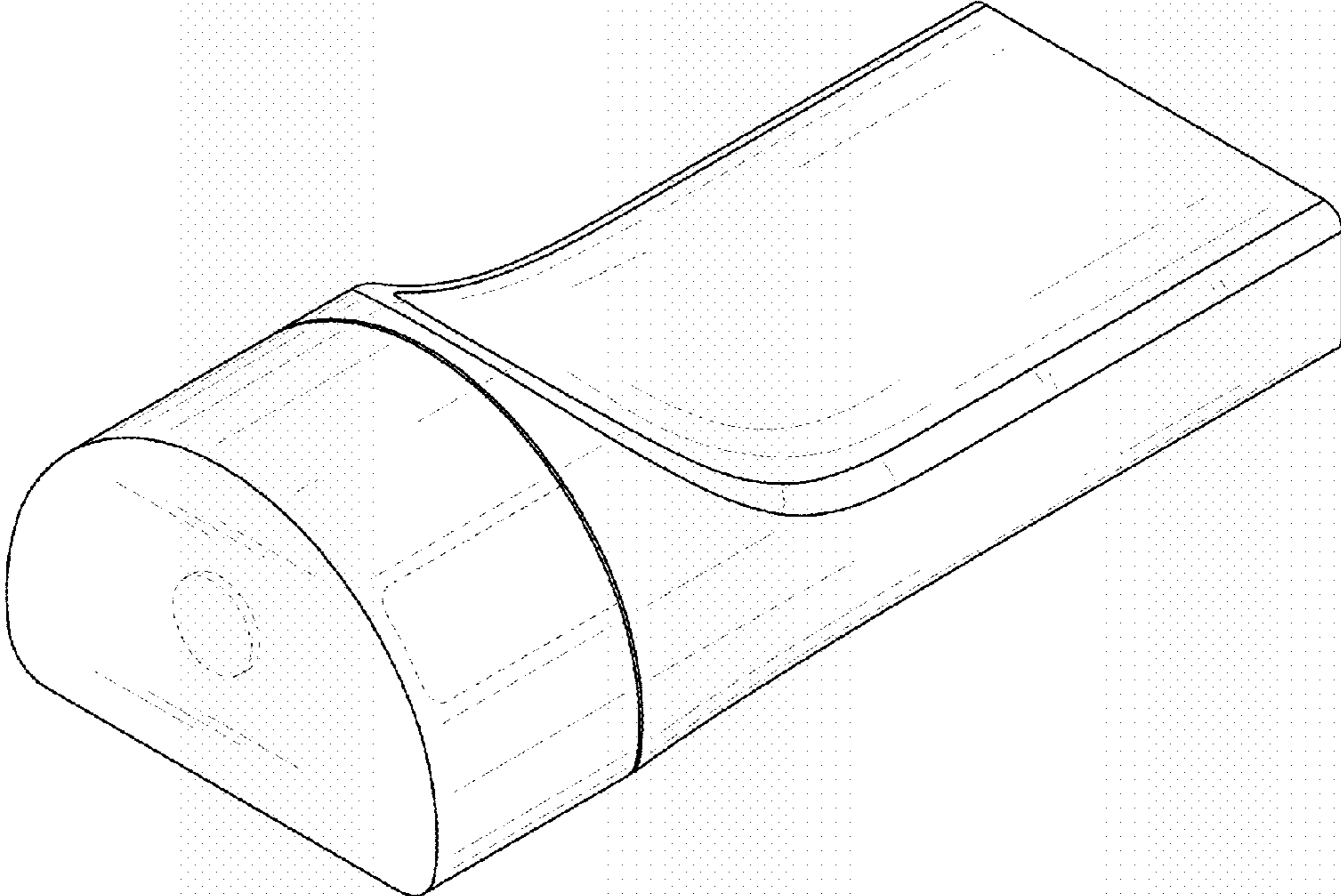


FIG. 9

