



US00D759019S

(12) **United States Design Patent**  
**Harper**

(10) **Patent No.:** **US D759,019 S**  
(45) **Date of Patent:** **\*\* Jun. 14, 2016**

- (54) **LANYARD**
- (71) Applicant: **Plantronics, Inc.**, Santa Cruz, CA (US)
- (72) Inventor: **Pierre Harper**, Santa Cruz, CA (US)
- (73) Assignee: **Plantronics, Inc.**, Santa Cruz, CA (US)
- (\*\*) Term: **14 Years**
- (21) Appl. No.: **29/517,392**
- (22) Filed: **Feb. 12, 2015**
- (51) **LOC (10) Cl.** ..... **14-03**
- (52) **U.S. Cl.**  
USPC ..... **D14/435.1**
- (58) **Field of Classification Search**  
USPC ..... D14/435.1, 480.1–480.7, 411, 433, 436,  
D14/484.1, 137, 155, 203.1–203.8, 240,  
D14/242, 133, 154  
CPC ..... H05K 5/0278; G06K 19/07732  
See application file for complete search history.

- D707,689 S \* 6/2014 Billington ..... D11/2
- D713,281 S \* 9/2014 Chen ..... D11/3
- D733,142 S \* 6/2015 Solomon ..... D14/433
- 2013/0021741 A1\* 1/2013 Huang ..... G06K 19/07732  
361/679.32

**OTHER PUBLICATIONS**

Dachis, "Magnet Micro USB Cable Can Go Anywhere, Hook Onto Almost Anything," retrieved from URL <<http://lifehacker.com/5947947/magnet-micro-usb-cable-can-go-anywhere-hook-onto-almost-everything>>, Oct. 4, 2012.  
Unknown, "VOJO+," Vojotech, retrieved from URL <[www.vojotech.us/magnet.html](http://www.vojotech.us/magnet.html)> on Jul. 30, 2015.

\* cited by examiner

*Primary Examiner* — Angela J Lee

(57) **CLAIM**

The ornamental design for a lanyard, as shown and described.

**DESCRIPTION**

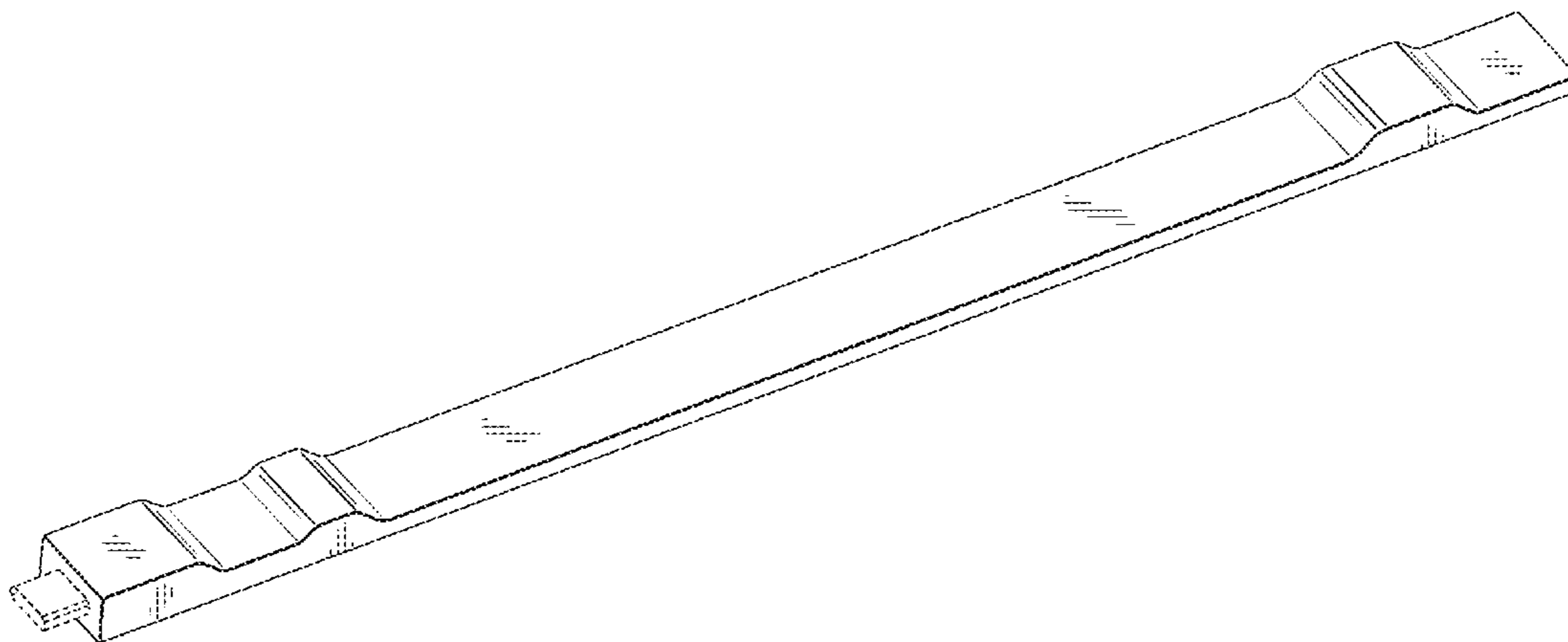
FIG. 1 is a bottom-left perspective view of a lanyard showing my new design;  
FIG. 2 is a top-right perspective view thereof;  
FIG. 3 is a left side view thereof;  
FIG. 4 is a top view thereof;  
FIG. 5 is a front view thereof;  
FIG. 6 is a back view thereof; and  
FIG. 7 is a right side view thereof; and,  
FIG. 8 is a bottom view thereof.  
The broken lines showing the unclaimed features form no part of the claimed design.

**1 Claim, 3 Drawing Sheets**

(56) **References Cited**

**U.S. PATENT DOCUMENTS**

- D556,194 S \* 11/2007 Rambosek ..... D11/2
- D558,198 S \* 12/2007 Blankenship ..... D11/2
- 7,345,954 B2 \* 3/2008 Ehram ..... A44C 5/18  
368/10
- D571,684 S \* 6/2008 Kim ..... D11/2
- 7,455,525 B2 \* 11/2008 Rambosek ..... H05K 5/0278  
439/131
- D583,815 S \* 12/2008 Giovannoni ..... D11/3
- D643,428 S \* 8/2011 Janky ..... D14/240
- 8,456,826 B2 \* 6/2013 Mao ..... H05K 5/0278  
361/679.31
- D686,217 S \* 7/2013 Andre ..... D11/2



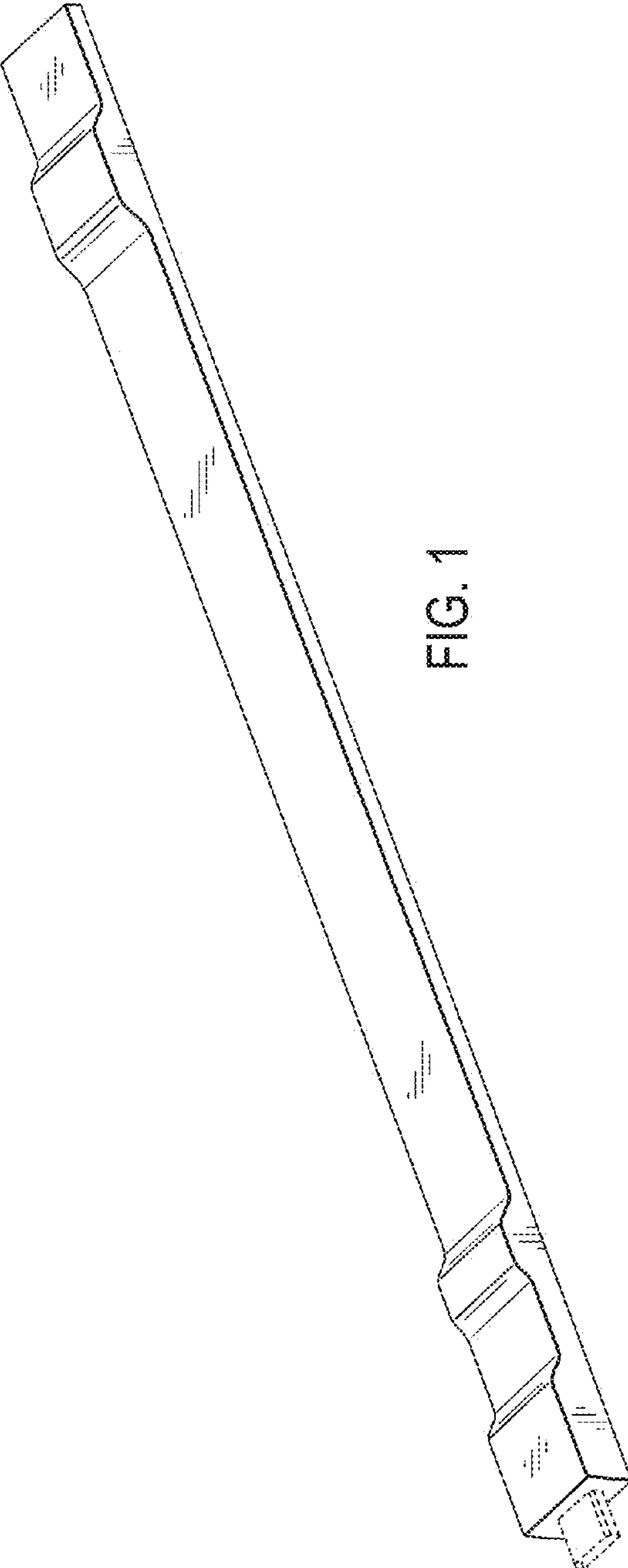


FIG. 1

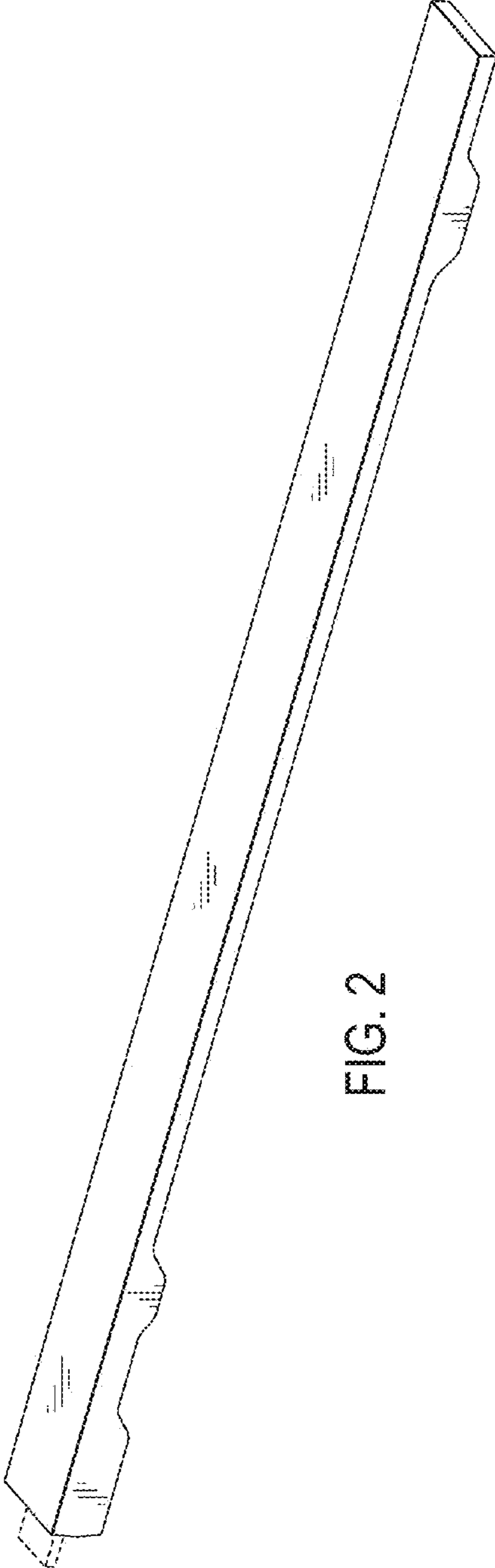


FIG. 2



FIG. 3

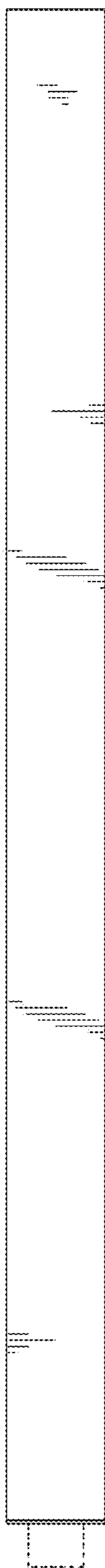


FIG. 4

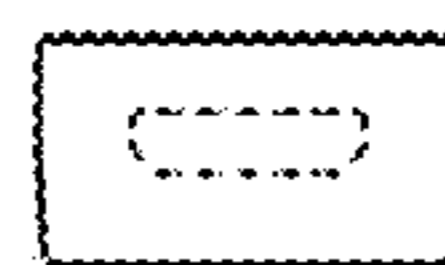


FIG. 5



FIG. 6

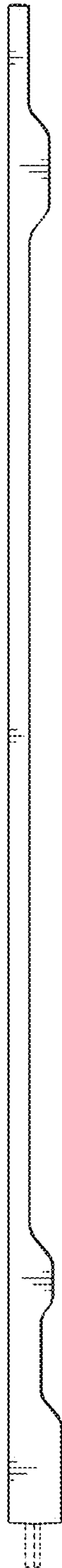


FIG. 7



FIG. 8