



US00D759017S

(12) **United States Design Patent**
Schwalbach et al.

(10) **Patent No.:** **US D759,017 S**
(45) **Date of Patent:** **** Jun. 14, 2016**

(54) **CONNECTOR**

D731,488 S * 6/2015 Lee D14/433
D732,035 S * 6/2015 Akana D14/433
D732,536 S * 6/2015 Kang D14/433

(71) Applicant: **Apple Inc.**, Cupertino, CA (US)

* cited by examiner

(72) Inventors: **Charles A. Schwalbach**, Menlo Park, CA (US); **Liane Fang**, Redwood City, CA (US)

Primary Examiner — Austin Murphy
(74) *Attorney, Agent, or Firm* — Sterne, Kessler, Goldstein & Fox P.L.L.C.

(73) Assignee: **Apple Inc.**, Cupertino, CA (US)

(57) **CLAIM**

(**) Term: **14 Years**

The ornamental design for a connector, as shown and described.

(21) Appl. No.: **29/523,464**

DESCRIPTION

(22) Filed: **Apr. 9, 2015**

(51) **LOC (10) Cl.** **14-02**

(52) **U.S. Cl.**
USPC **D14/433**

(58) **Field of Classification Search**
USPC D14/433, 357, 240, 225, 480.6;
D13/133, 154, 147; 439/620.21,
439/607.38, 607.36, 607.01, 466, 188;
361/679.41; 710/74
CPC H01R 24/64; H01R 24/62; H01R 12/714;
H01R 13/506; H01R 13/6658
See application file for complete search history.

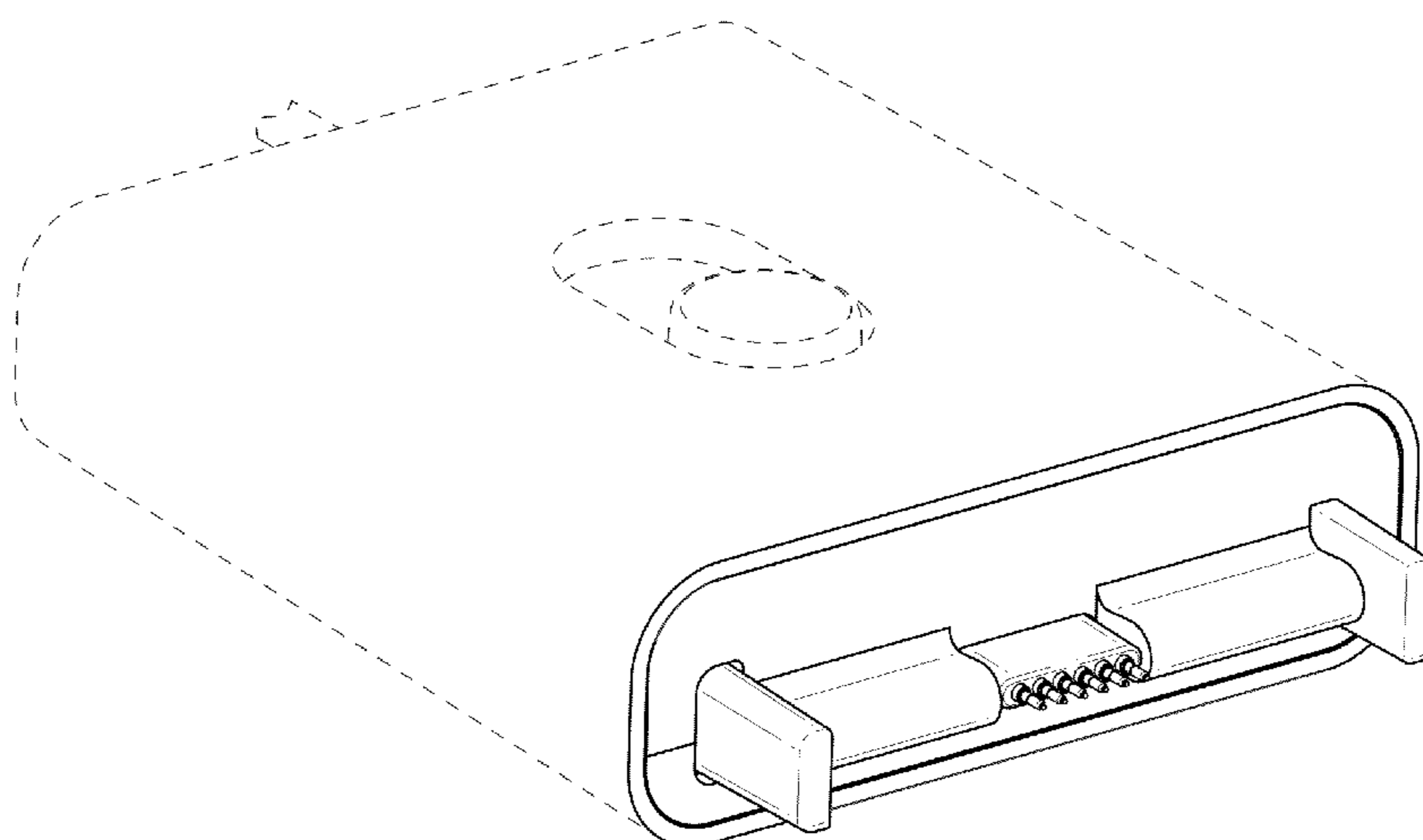
FIG. 1 is a top front perspective view of a connector showing our new design;
FIG. 2 is a front view thereof;
FIG. 3 is a rear view thereof;
FIG. 4 is a right side view thereof;
FIG. 5 is a left side view thereof;
FIG. 6 is a top view thereof;
FIG. 7 is a bottom view thereof;
FIG. 8 is a top front perspective view thereof in a retracted configuration;
FIG. 9 is a front view thereof in the retracted configuration;
FIG. 10 is a rear view thereof in the retracted configuration;
FIG. 11 is a right side view thereof in the retracted configuration;
FIG. 12 is a left side view thereof in the retracted configuration;
FIG. 13 is a top view thereof in the retracted configuration;
and,
FIG. 14 is a bottom view thereof in the retracted configuration.
The broken lines in the Figures show portions of the connector that form no part of the claimed design.
The shade lines in the Figures show contour and not surface ornamentation.

(56) **References Cited**

U.S. PATENT DOCUMENTS

D604,725 S * 11/2009 Chen D13/184
D684,976 S * 6/2013 Akana D14/433
8,696,383 B2 * 4/2014 Do H01R 13/6581
439/607.35
8,734,169 B2 * 5/2014 Werner H01R 12/7047
29/825
D707,680 S * 6/2014 Akana D14/433
9,011,176 B2 * 4/2015 Tziviskos H05K 5/0247
439/607.4
D729,806 S * 5/2015 Park D14/433

1 Claim, 12 Drawing Sheets



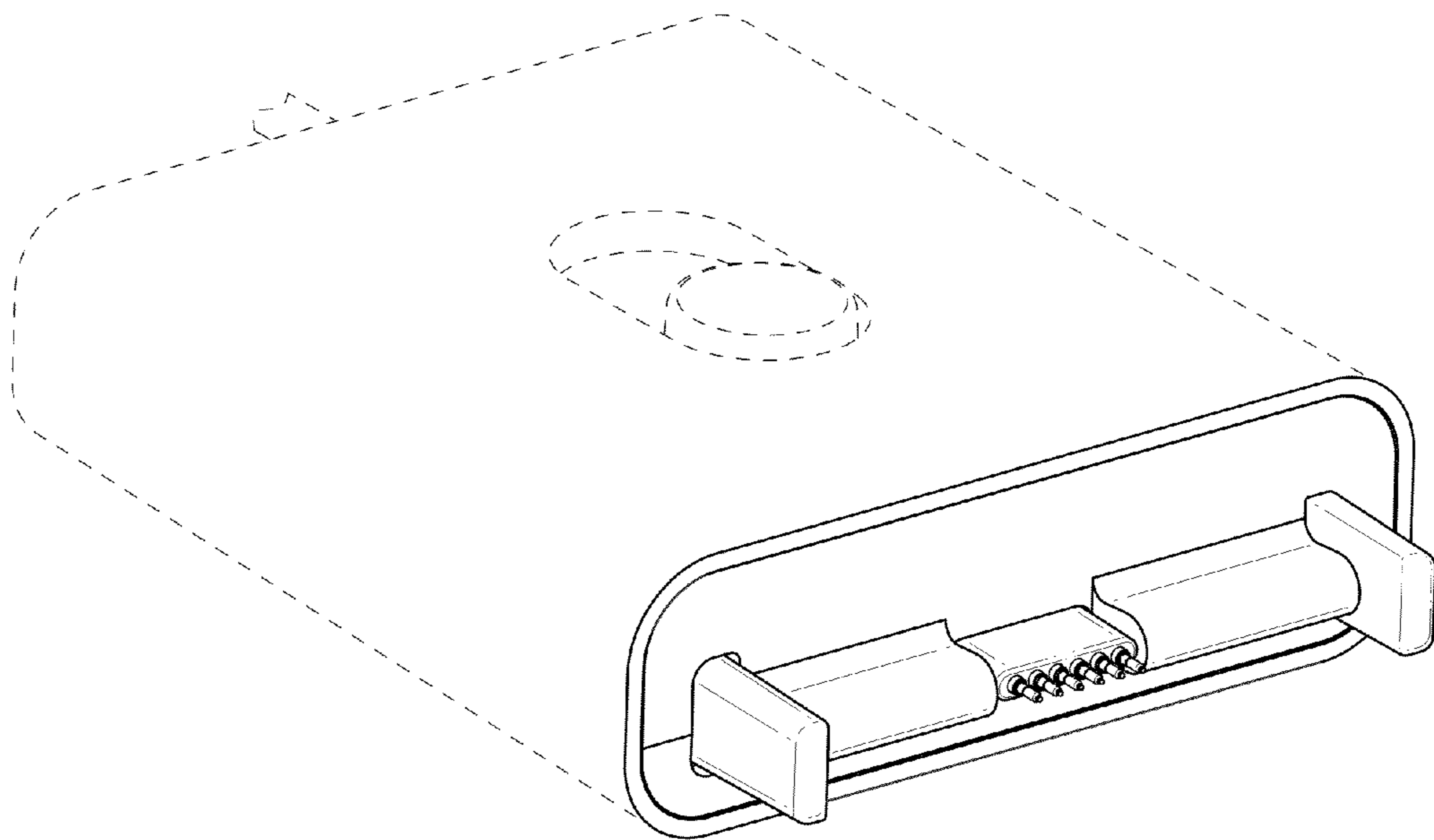


FIG. 1

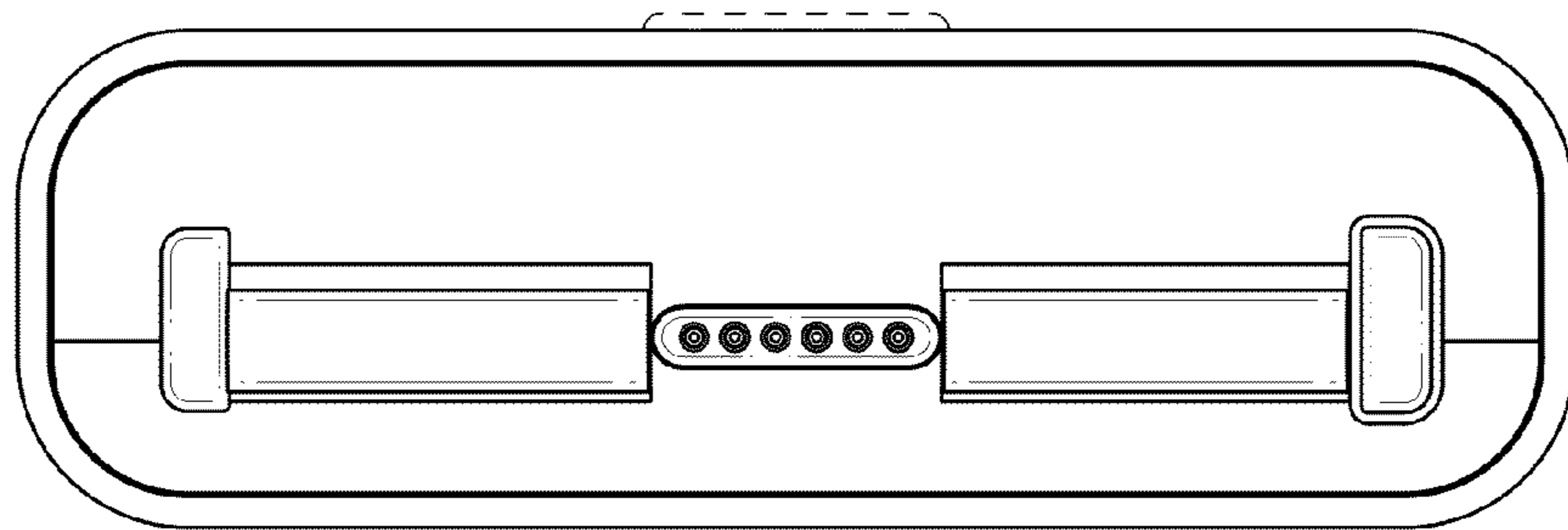


FIG. 2

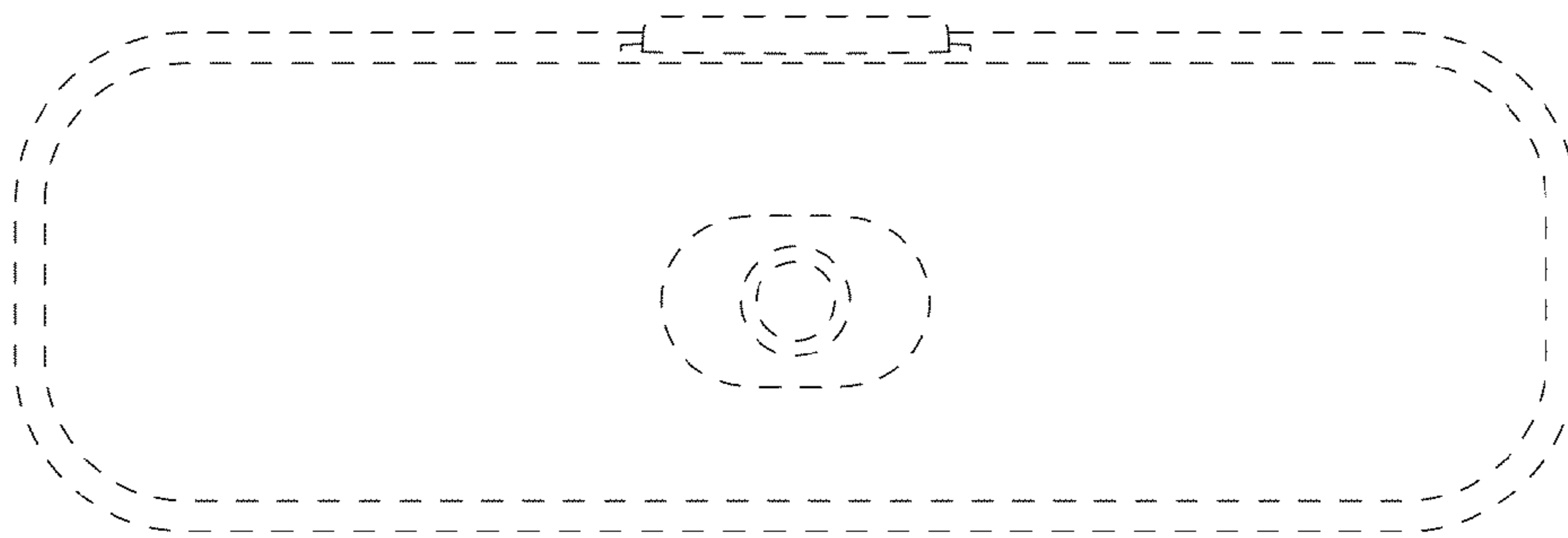


FIG. 3

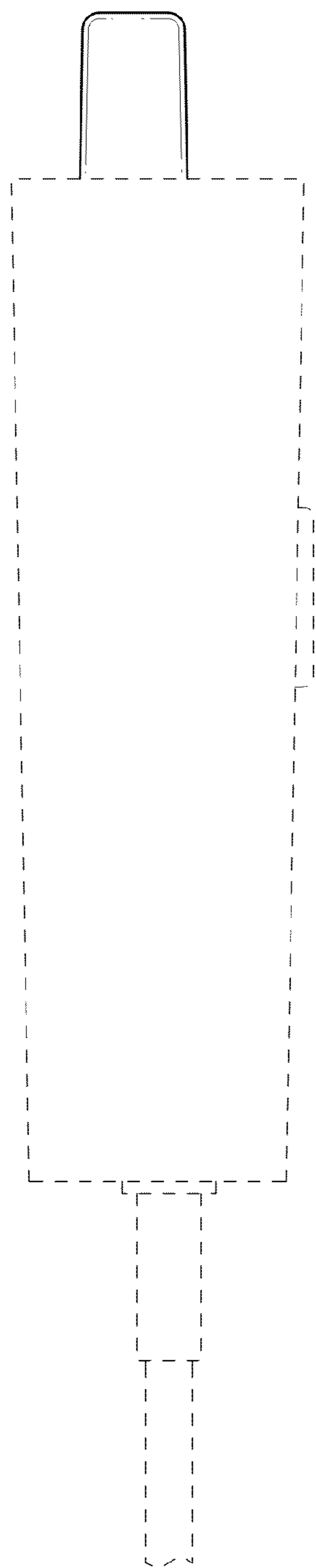


FIG. 4

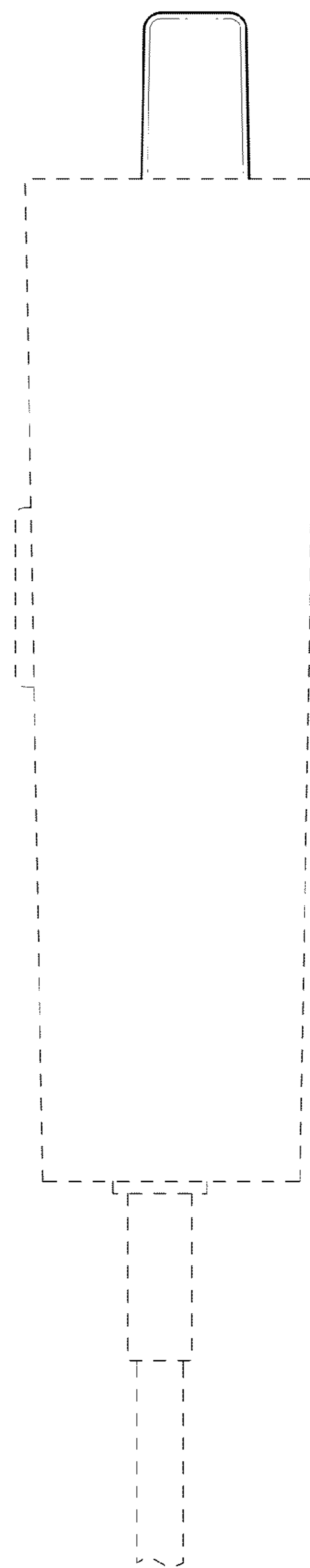


FIG. 5

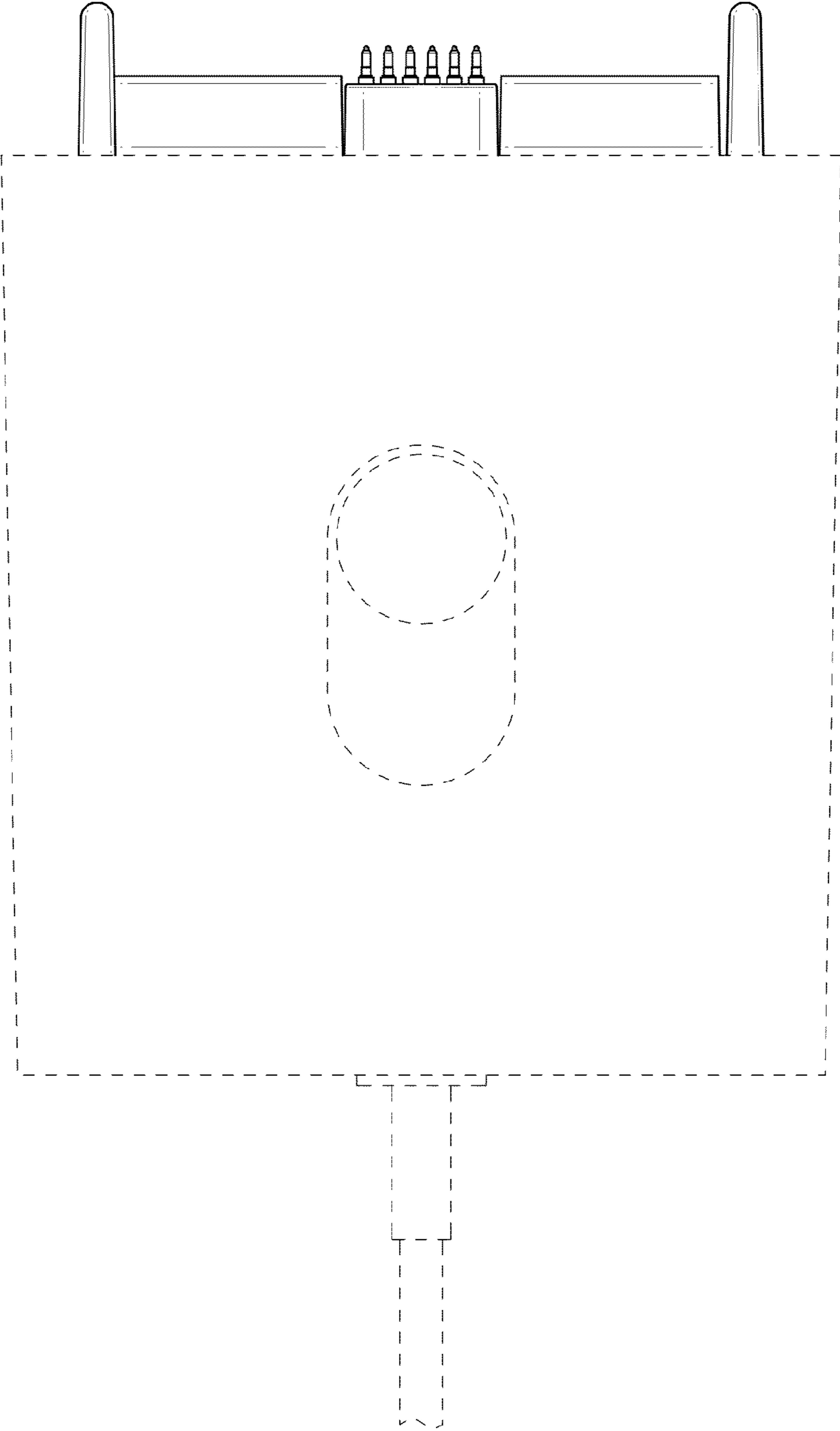


FIG. 6

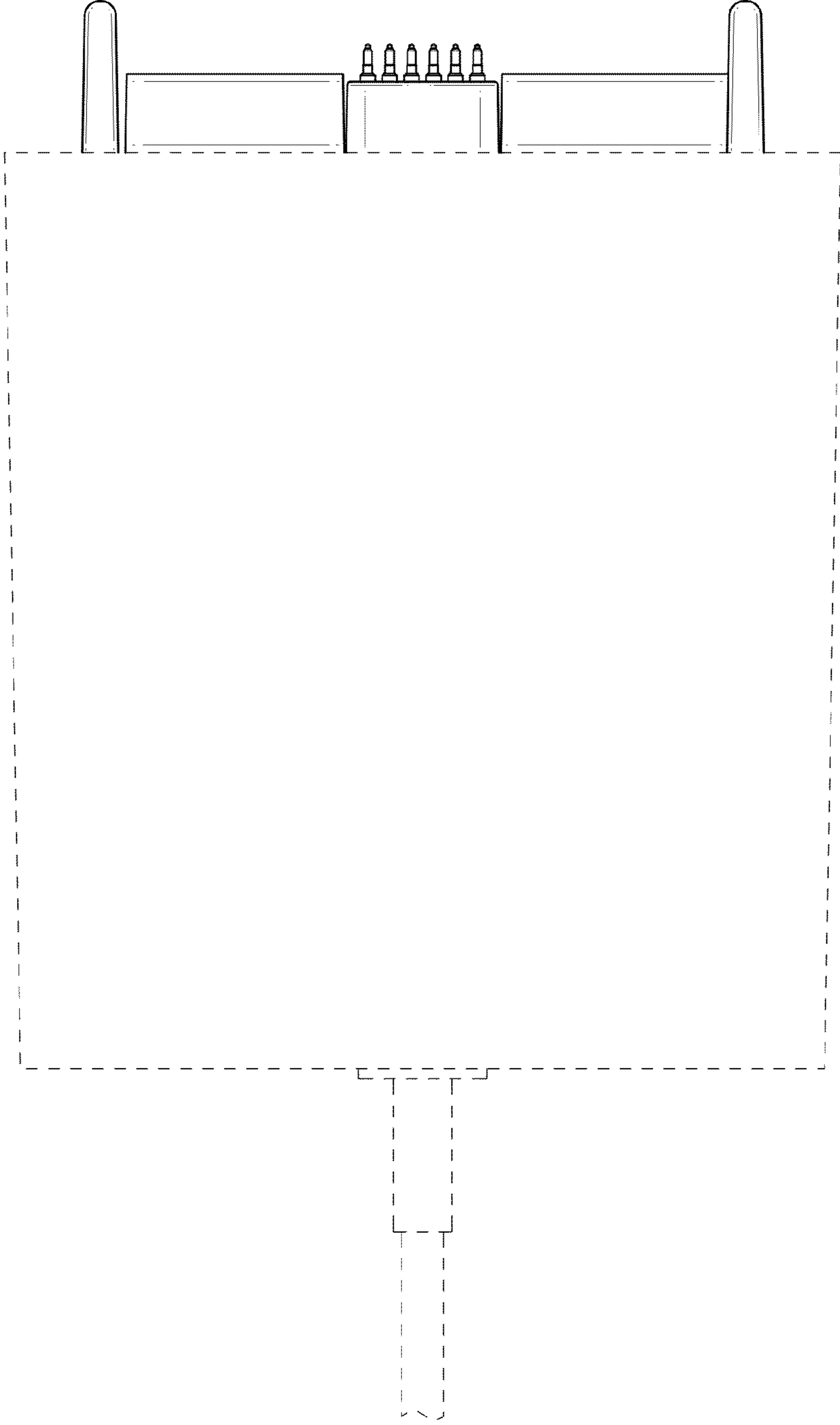


FIG. 7

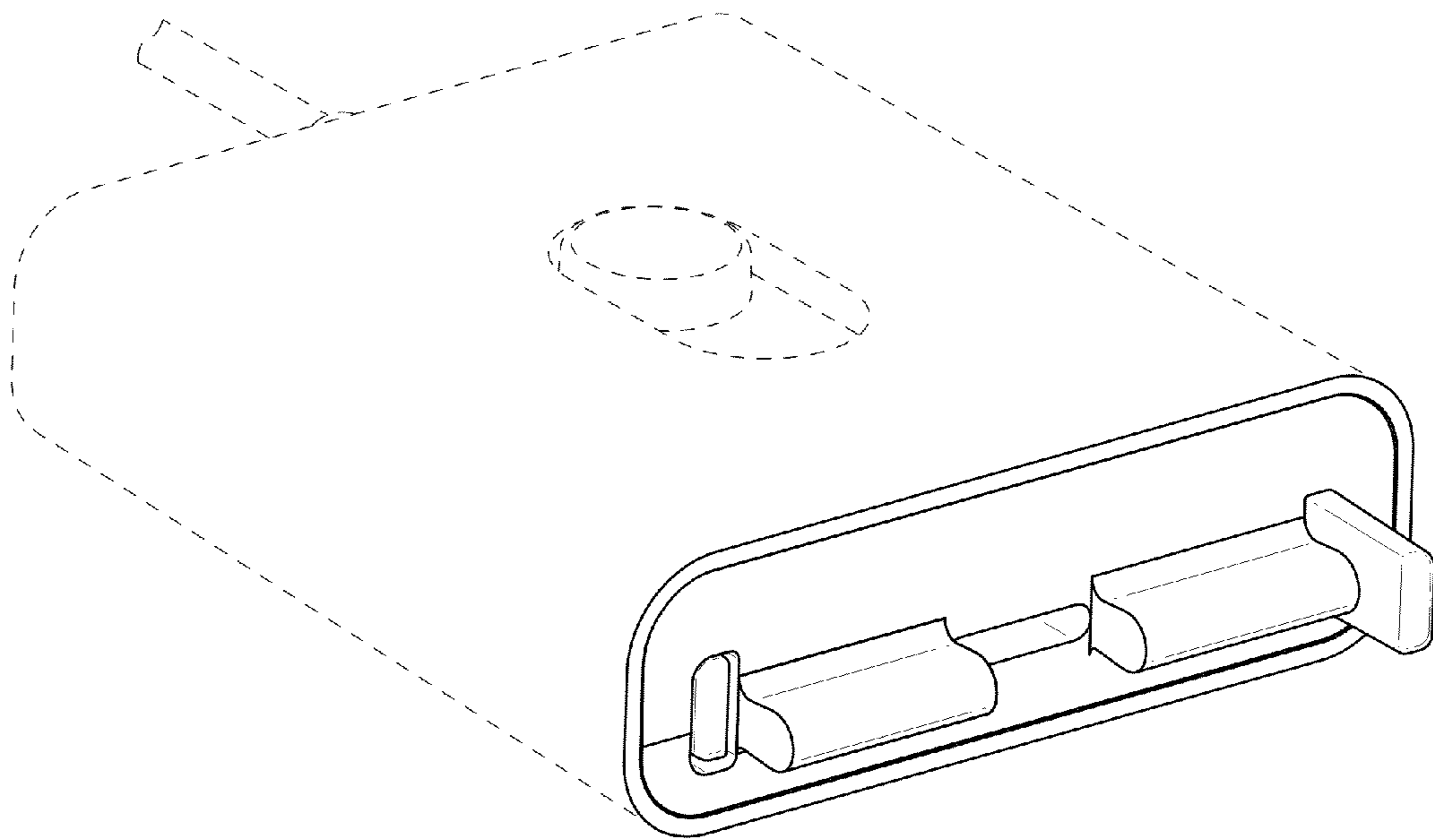


FIG. 8

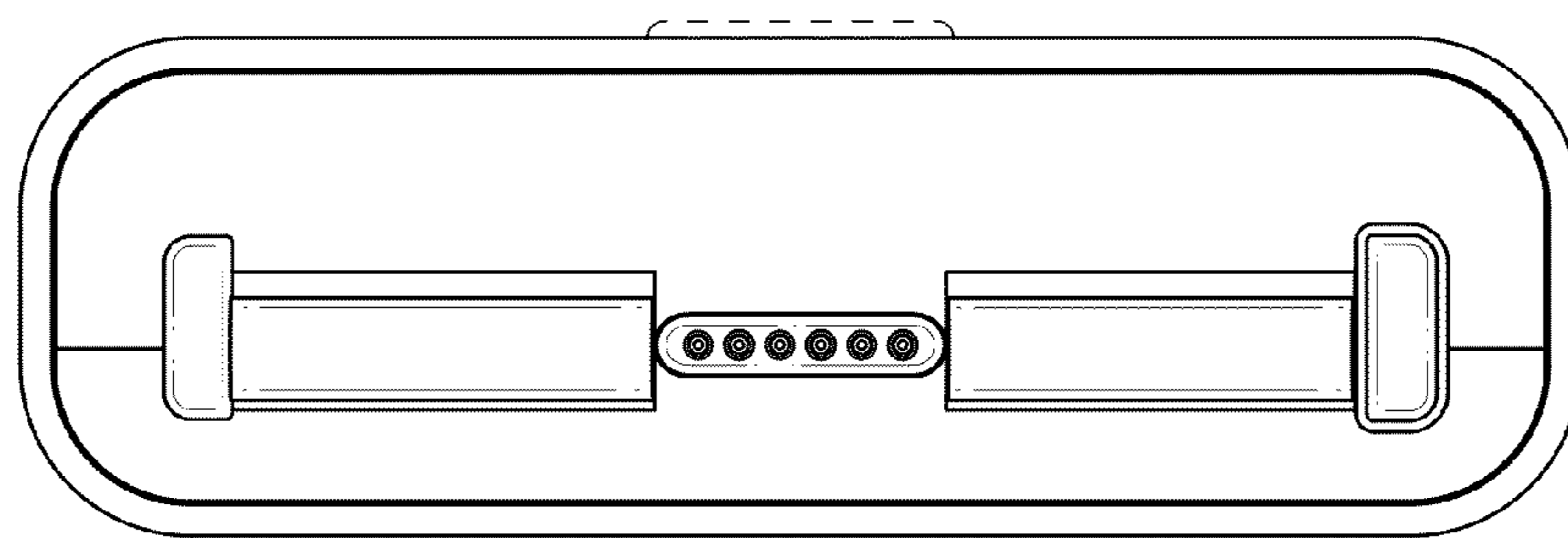


FIG. 9

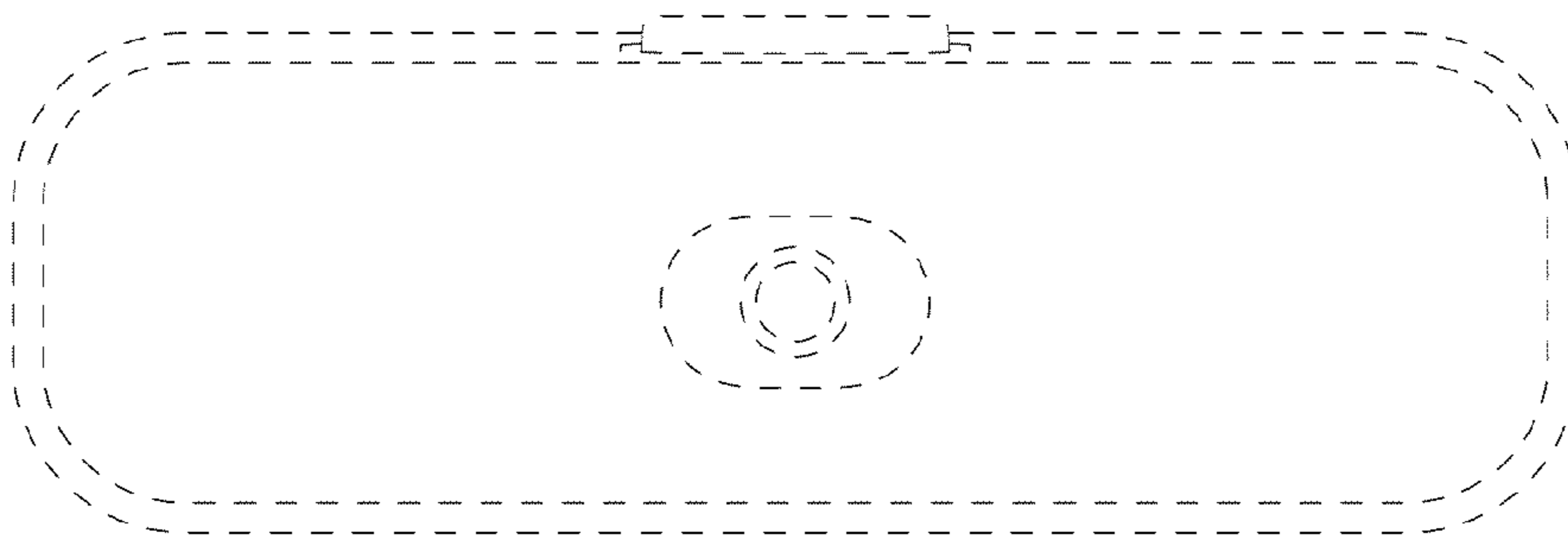


FIG. 10

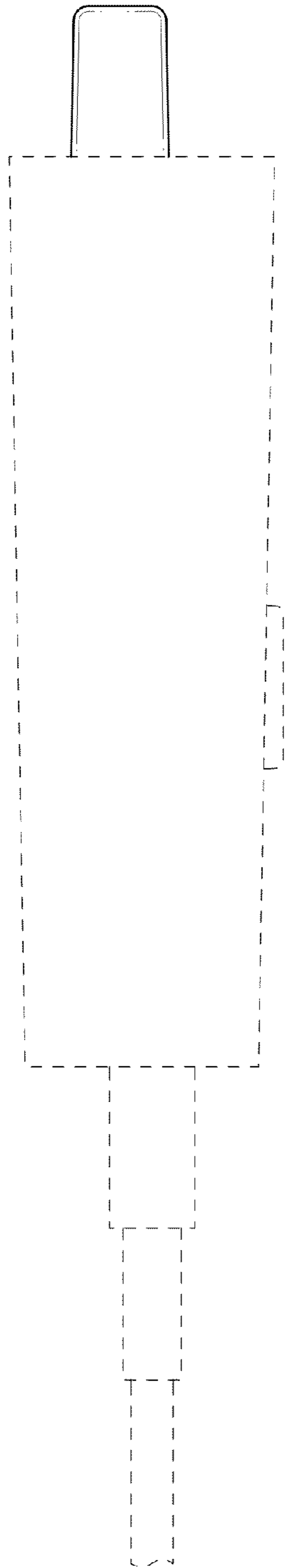


FIG. 11

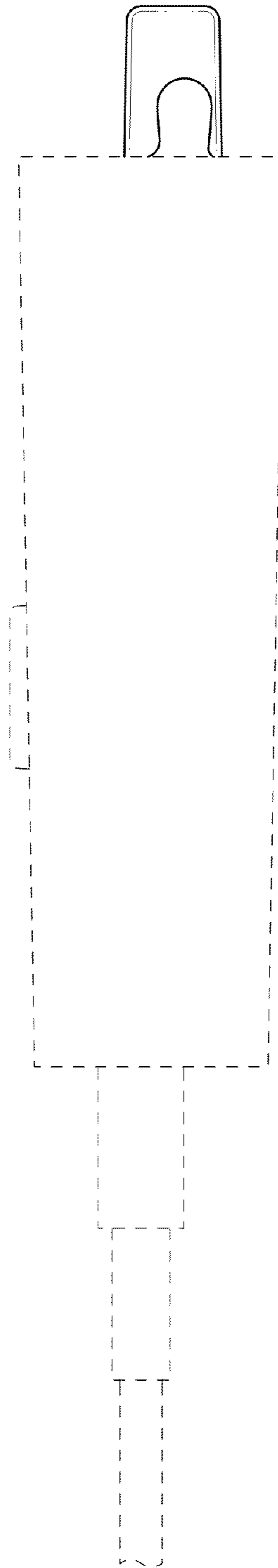


FIG. 12

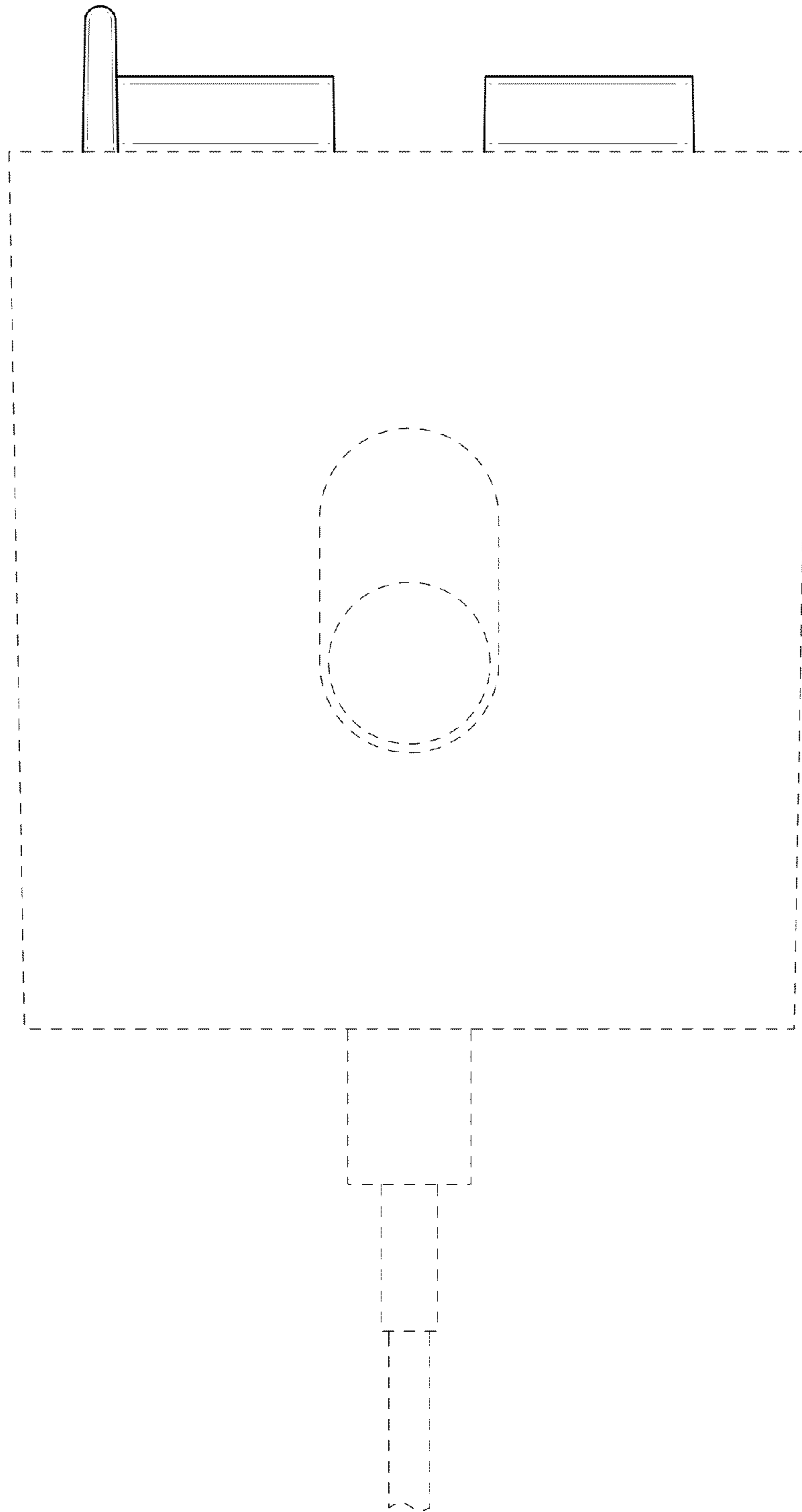


FIG. 13

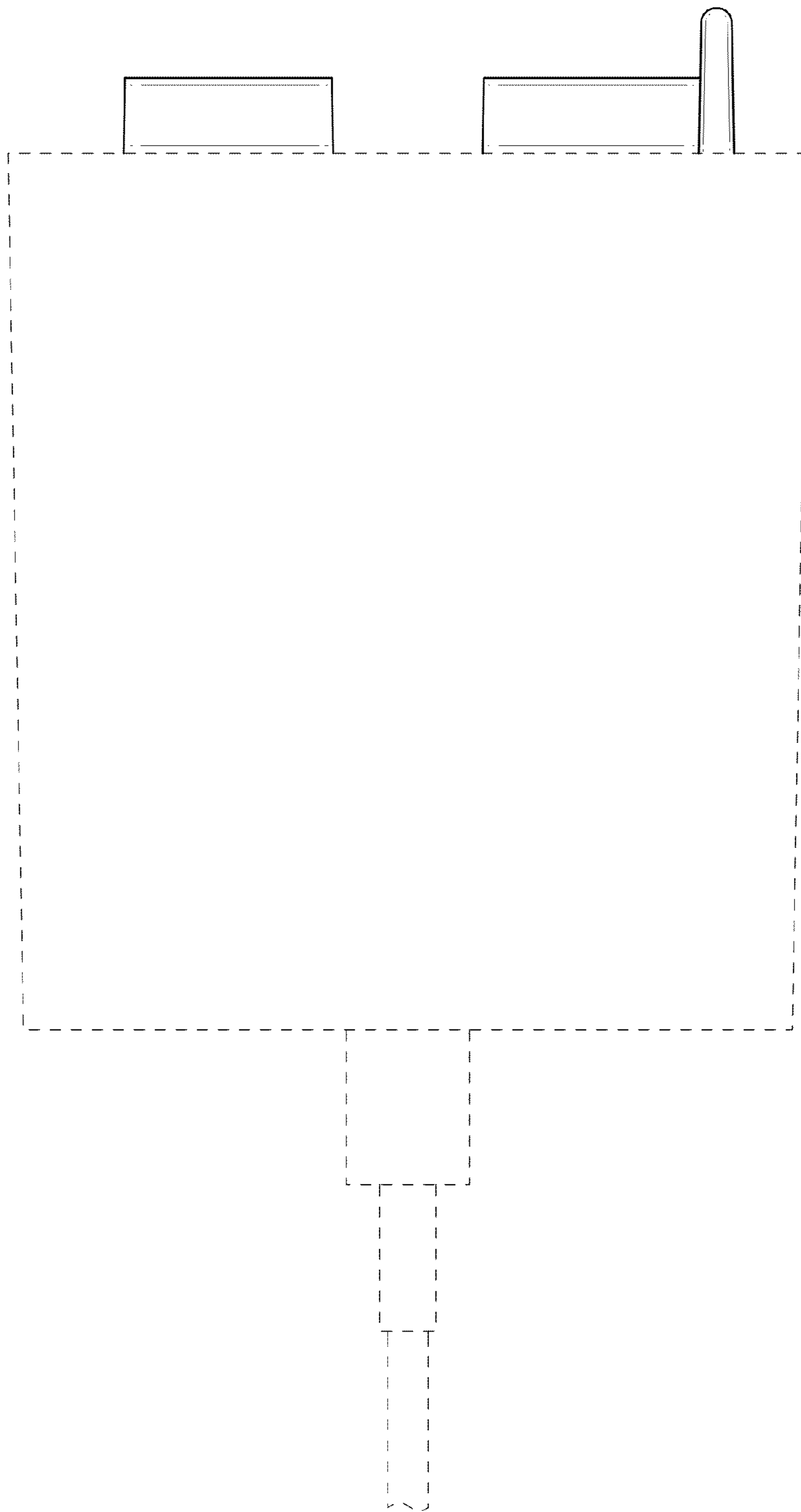


FIG. 14