



US00D759016S

(12) **United States Design Patent**
Zaslavsky et al.

(10) **Patent No.:** **US D759,016 S**
(45) **Date of Patent:** **** Jun. 14, 2016**

(54) **RADIO FREQUENCY ADAPTER WITH HDMI PORT, LIGHT, AND BUTTON**

(71) Applicant: **WebTuner, Corp.**, Redmond, WA (US)

(72) Inventors: **Eduard Zaslavsky**, Issaquah, WA (US);
Thomas E. Nichols, Redmond, WA (US)

(73) Assignee: **Webturner Corporation** DE (US)

(**) Term: **14 Years**

(21) Appl. No.: **29/504,132**

(22) Filed: **Oct. 2, 2014**

(51) **LOC (10) Cl.** **14-02**

(52) **U.S. Cl.**
USPC **D14/433**

(58) **Field of Classification Search**
USPC D14/356, 432-434, 453, 454, 511,
D14/203.8, 209.1, 238.1, 240, 125;
439/638, 928, 105, 502; 710/303, 304;
361/679.41, 679.55, 679.56; D13/110,
D13/133, 146
CPC ... H04L 12/2832; H04L 12/2838; G06F 3/00;
G06F 5/00; G06F 13/14
See application file for complete search history.

(56) **References Cited**

U.S. PATENT DOCUMENTS

D604,725 S *	11/2009	Chen	D13/184
D624,548 S *	9/2010	Yamamoto	D14/433
D627,784 S *	11/2010	Yamamoto	D14/433
D643,841 S *	8/2011	Lyford	D13/133
D649,971 S *	12/2011	Lyford	D13/133
D671,489 S	11/2012	Zaslavsky et al.		
D673,909 S	1/2013	Zaslavsky et al.		

D680,070 S	4/2013	Zaslavsky		
D681,551 S	5/2013	Zaslavsky		
D693,299 S	11/2013	Zaslavsky et al.		
D693,767 S	11/2013	Zaslavsky et al.		
D704,578 S *	5/2014	Chen	D10/70
D714,293 S *	9/2014	Kelly	D14/433
D730,903 S *	6/2015	Langhammer	D14/433
D731,489 S *	6/2015	Langhammer	D14/433
2013/0279101 A1	10/2013	Zaslavsky et al.		

OTHER PUBLICATIONS

U.S. Appl. No. 29/501,975, Zaslavsky, et al.
U.S. Appl. No. 29/501,976, Zaslavsky, et al.
U.S. Appl. No. 29/501,977, Zaslavsky, et al.
U.S. Appl. No. 29/504,130, Zaslavsky, et al.
U.S. Appl. No. 29/504,793, Zaslavsky, et al.

* cited by examiner

Primary Examiner — Austin Murphy

(74) *Attorney, Agent, or Firm* — Volpe and Koenig, P.C.

(57) **CLAIM**

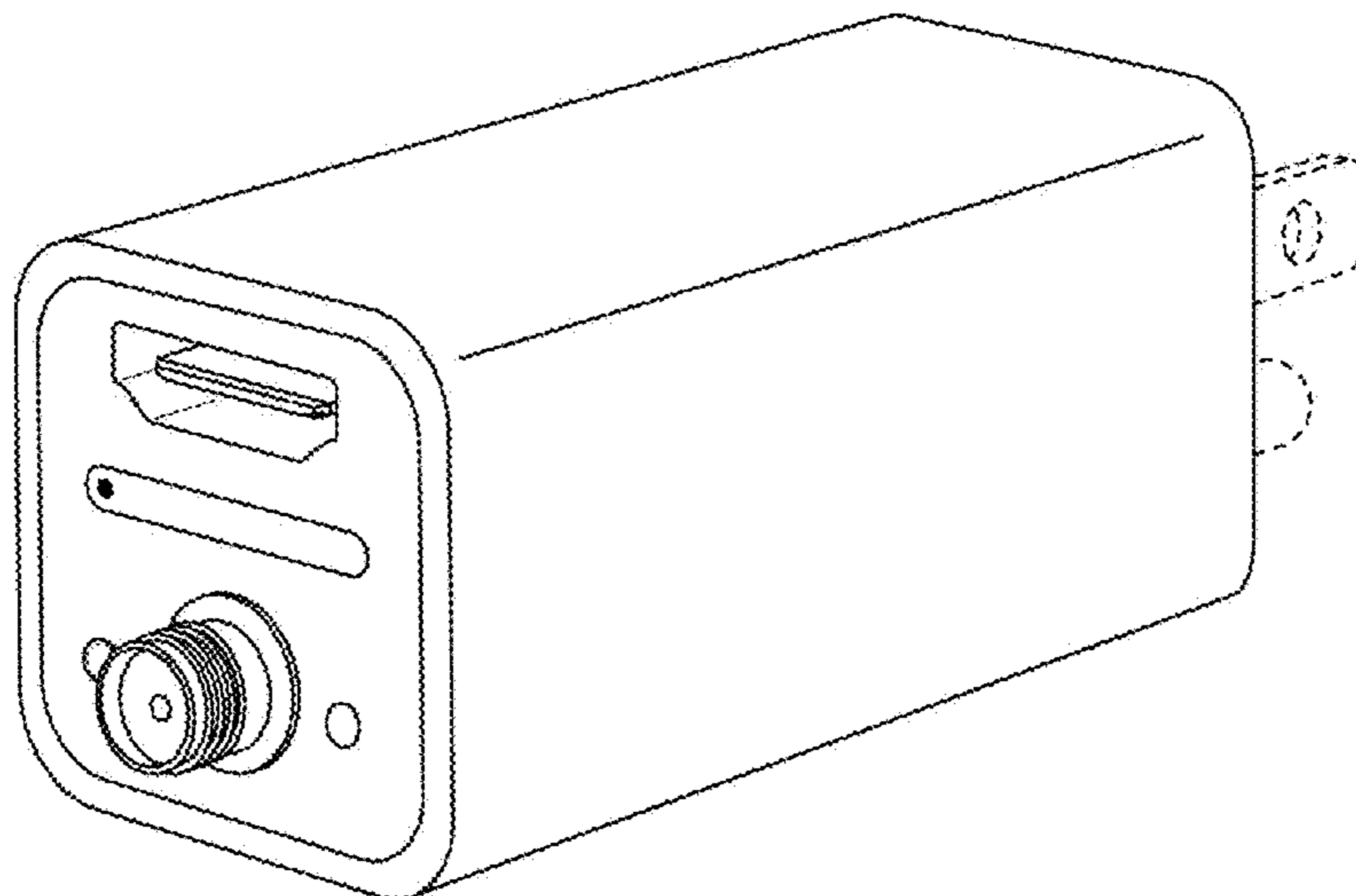
The ornamental design for a radio frequency adapter with HDMI port, light, and button, as shown and described.

DESCRIPTION

FIG. 1 is a perspective view of a radio frequency adapter with HDMI port, light, and button showing our new design;
FIG. 2 is a front view thereof;
FIG. 3 is a back view thereof;
FIG. 4 is a top view thereof, the bottom being identical; and,
FIG. 5 is left side view thereof, the right side being a mirror image.

Any broken lines shown represent unclaimed subject matter and form no part of the claimed design.

1 Claim, 2 Drawing Sheets



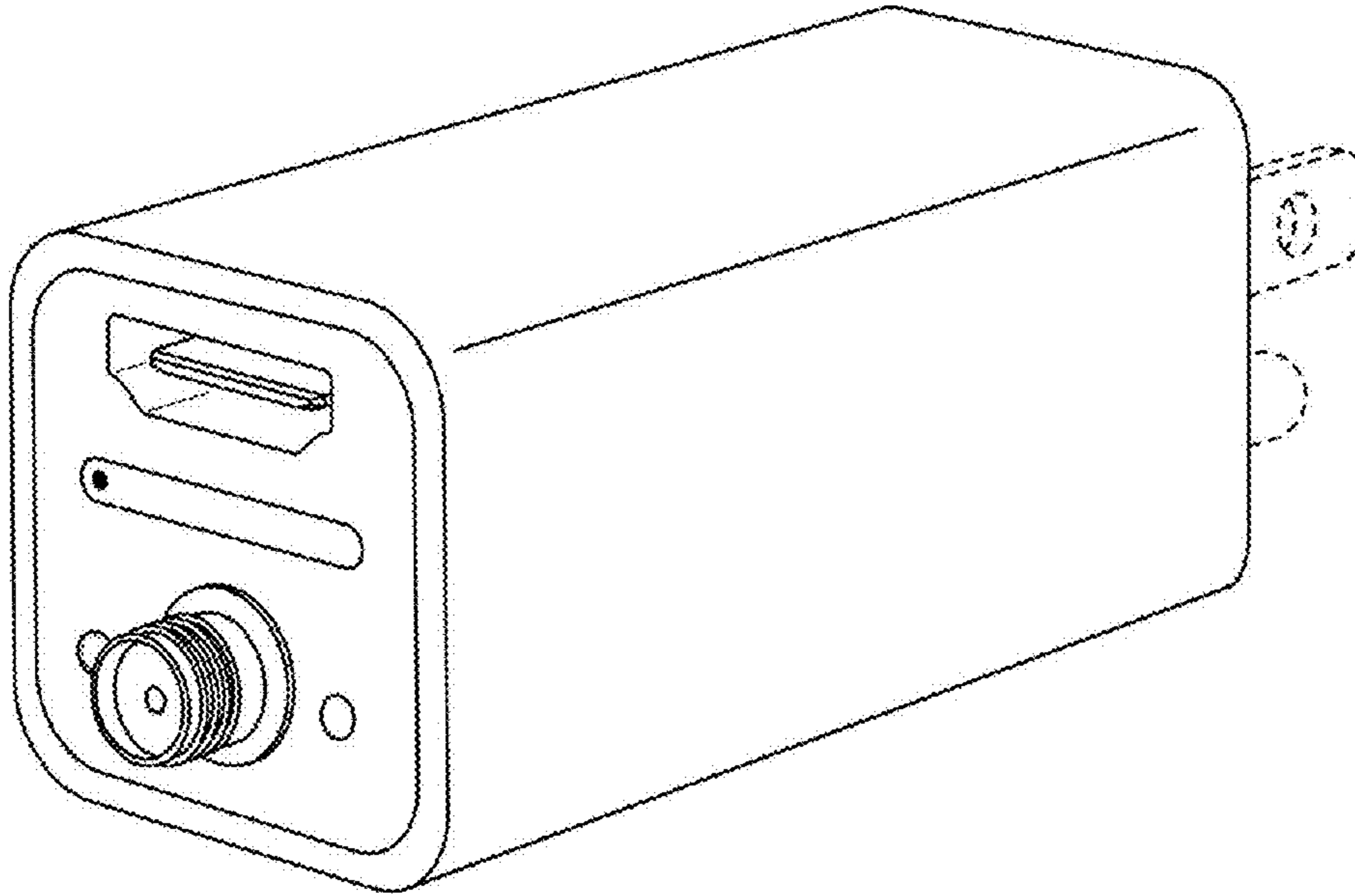


FIGURE 1

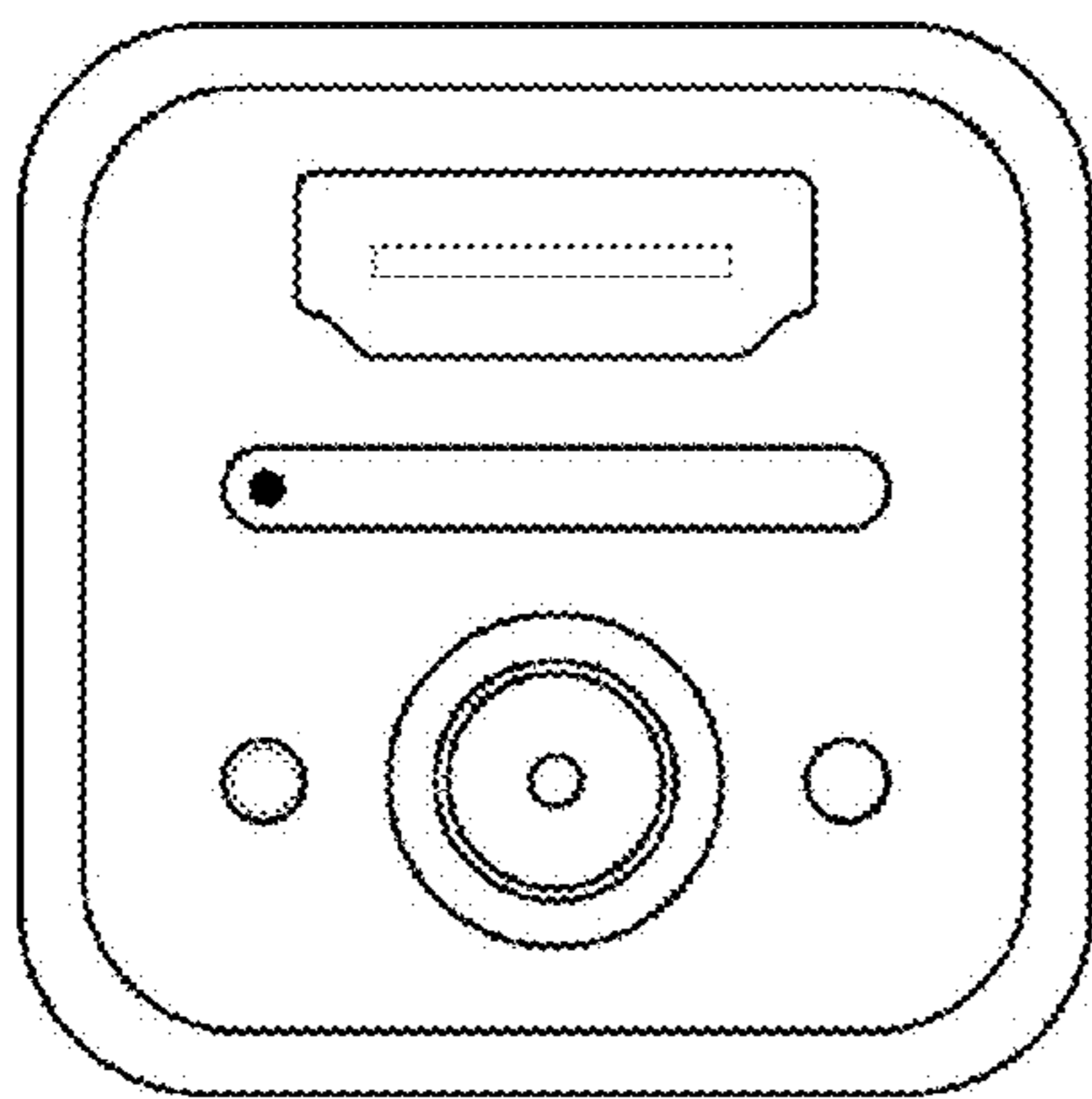


FIGURE 2

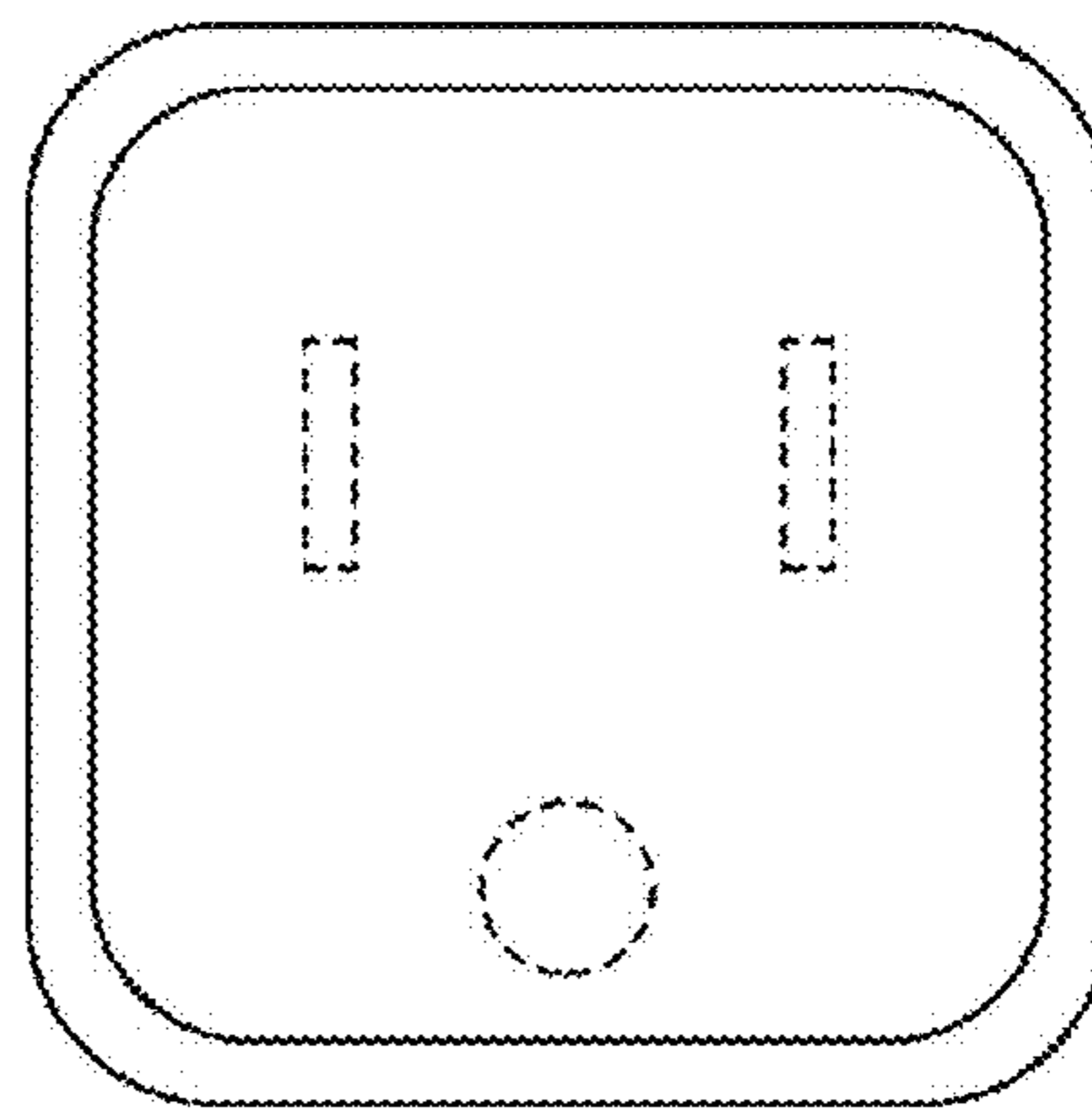


FIGURE 3

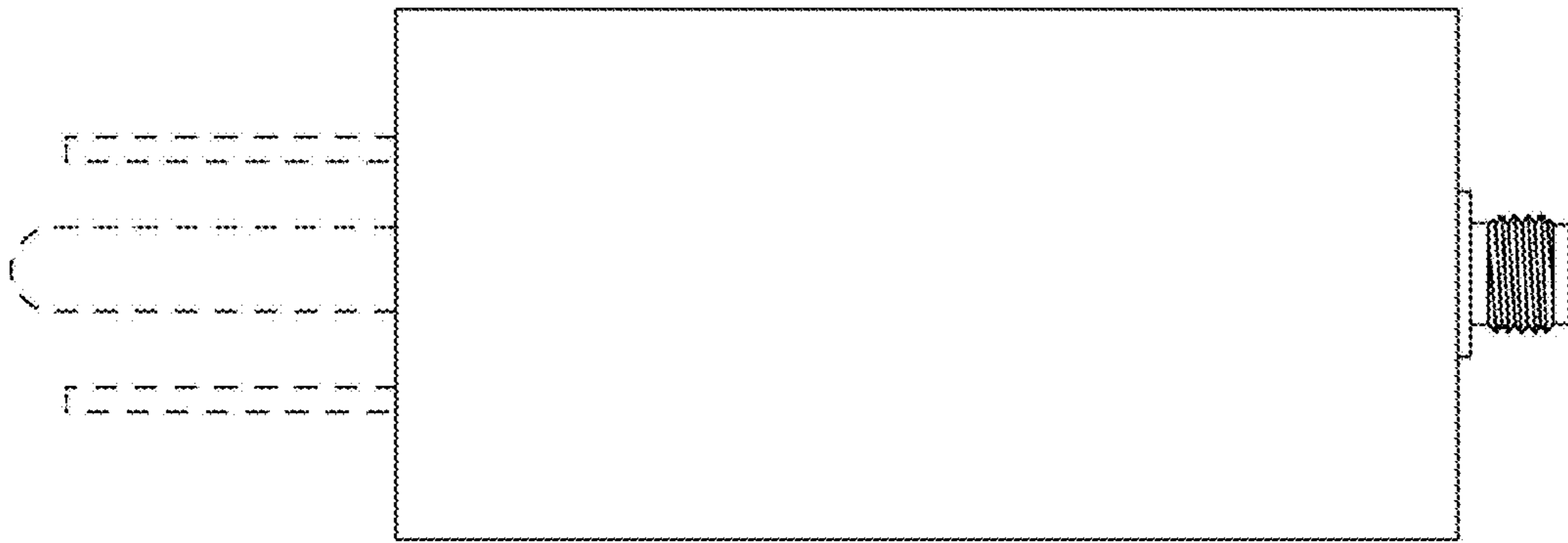


FIGURE 4

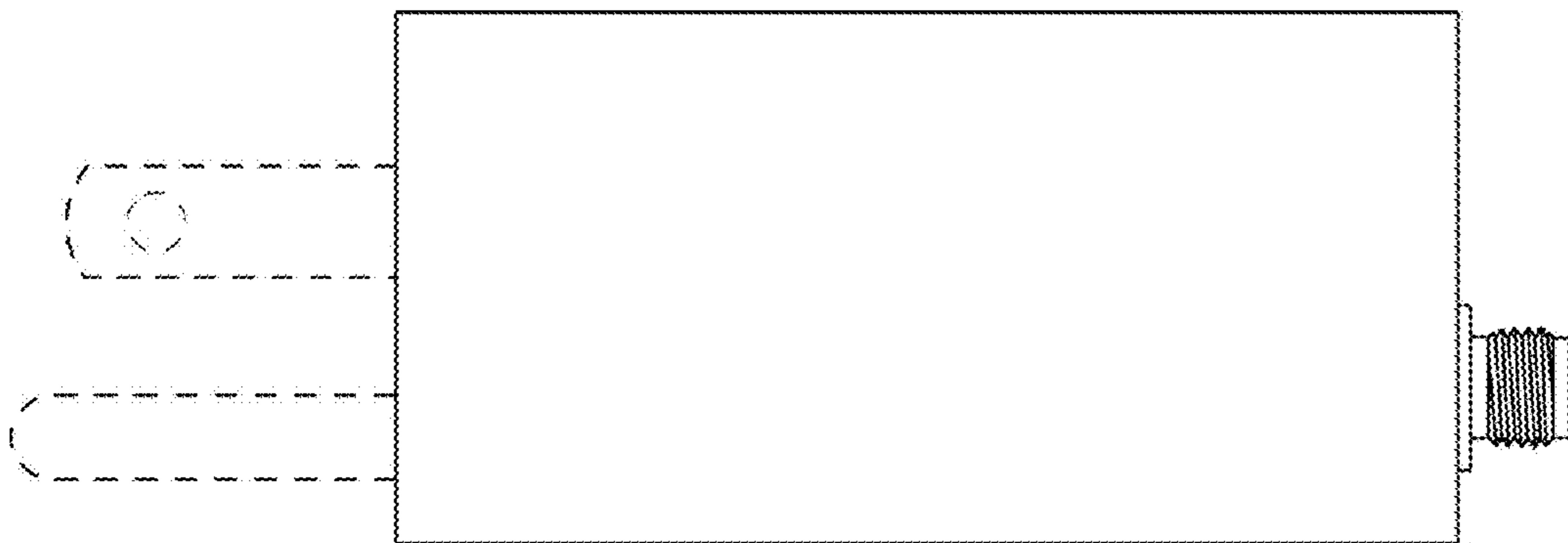


FIGURE 5