



US00D759015S

(12) **United States Design Patent**
Mehin et al.

(10) **Patent No.:** **US D759,015 S**
(45) **Date of Patent:** **** Jun. 14, 2016**

- (54) **GLASSES WITH HUD**
- (71) Applicant: **Intel Corporation**, Santa Clara, CA (US)
- (72) Inventors: **Afshin Frederick Mehin**, Vancouver (CA); **Raymond C. M. Leung**, Vancouver (CA); **Hamid Abdollahi**, Vancouver (CA)
- (73) Assignee: **Intel Corporation**, Santa Clara, CA (US)
- (**) Term: **14 Years**
- (21) Appl. No.: **29/502,473**
- (22) Filed: **Sep. 16, 2014**
- (51) **LOC (10) Cl.** **14-02**
- (52) **U.S. Cl.**
USPC **D14/372**
- (58) **Field of Classification Search**
USPC D14/372, 496, 432, 371, 125, 126, 129, D14/299; D16/300-342; 351/158, 153, 144; 345/7-9, 905; 455/344; 348/115, 53, 348/121, 739
CPC G02B 27/017; G02B 27/0158; G02B 27/0161; G02B 27/0181; G02B 27/0185; G02B 27/0189
See application file for complete search history.

- D559,250 S 1/2008 Pombo
- D571,366 S 6/2008 Lee et al.
- D579,014 S 10/2008 Travers et al.
- D609,236 S 2/2010 Matsumoto et al.
- D640,256 S 6/2011 So
- D645,862 S 9/2011 Paul
- D659,136 S 5/2012 Matsumoto
- D659,137 S 5/2012 Matsumoto
- D667,483 S 9/2012 Krsmanovic
- D669,471 S 10/2012 Hwang et al.
- D680,152 S 4/2013 Olsson et al.
- D682,267 S 5/2013 Mase
- D682,268 S 5/2013 Ricks et al.
- D685,019 S 6/2013 Li
- D697,130 S 1/2014 Lovgren
- D701,557 S 3/2014 Lee et al.
- D704,705 S 5/2014 Mehin et al.
- D706,780 S 6/2014 Abdollahi et al.
- D716,807 S * 11/2014 Yeom D14/372
- D716,808 S * 11/2014 Yeom D14/372
- D718,306 S 11/2014 Mehin et al.

(Continued)

FOREIGN PATENT DOCUMENTS

CA 151094 3/2014

Primary Examiner — Austin Murphy
(74) *Attorney, Agent, or Firm* — Patent Capital Group

(57) **CLAIM**

The ornamental design for a glasses with hud, as shown and described.

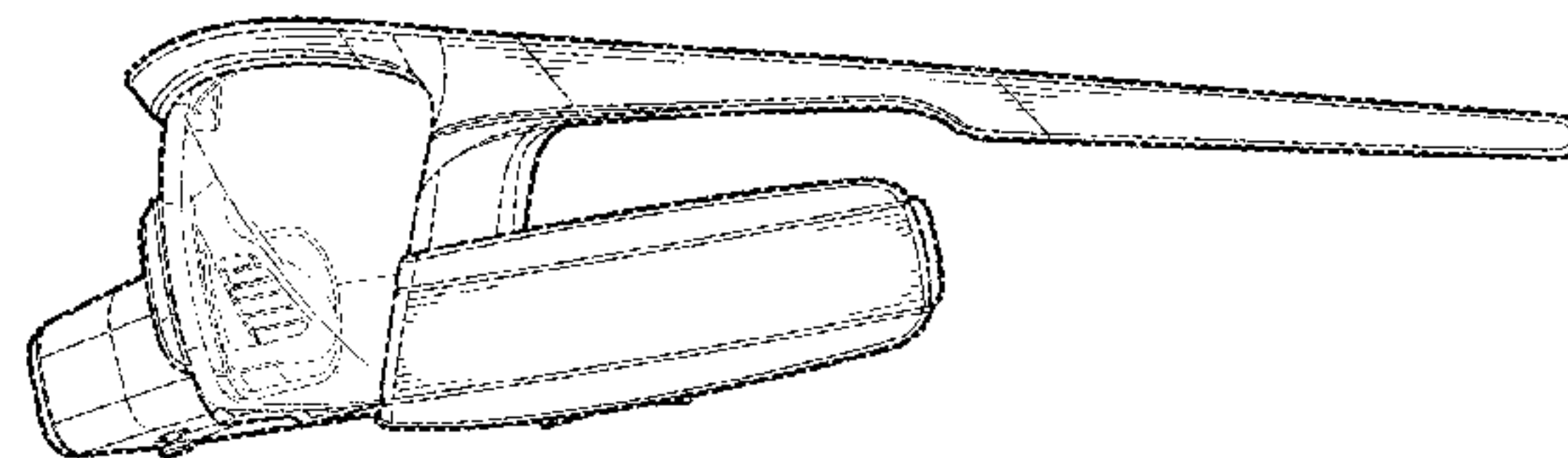
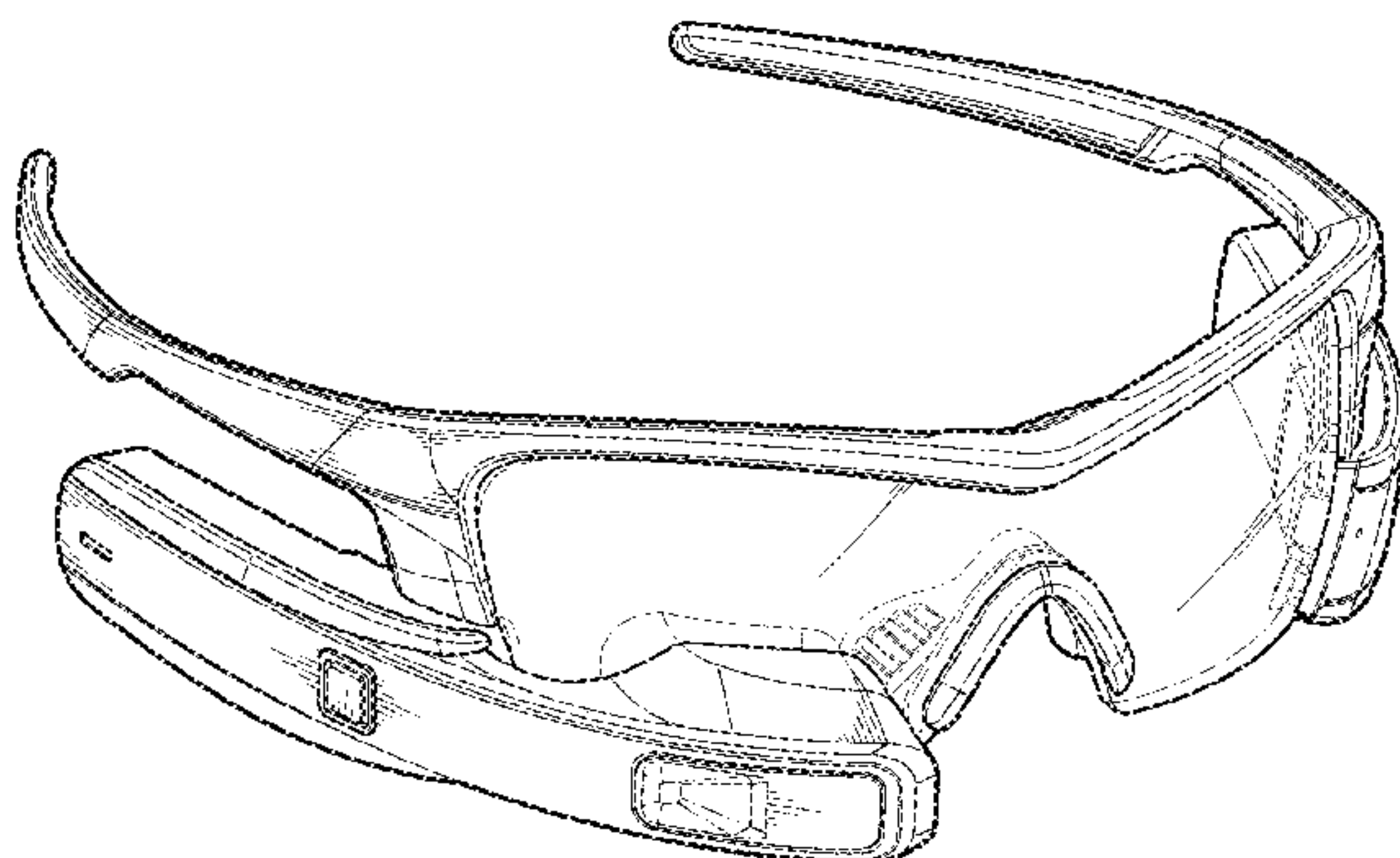
DESCRIPTION

FIG. 1 is a perspective view of a glasses with hud;
FIG. 2 is a top view thereof;
FIG. 3 is a front view thereof;
FIG. 4 is a rear view thereof;
FIG. 5 is a bottom view thereof;
FIG. 6 is a left side view thereof; and,
FIG. 7 is a right side view thereof.

1 Claim, 4 Drawing Sheets

(56) **References Cited**
U.S. PATENT DOCUMENTS

- D338,514 S 8/1993 Holmes
- 5,486,841 A 1/1996 Hara et al.
- D370,909 S 6/1996 Oikawa et al.
- D380,482 S 7/1997 Shimasaki et al.
- D439,265 S 3/2001 Hayashi
- D444,155 S 6/2001 Morooka et al.
- D517,066 S 3/2006 Travers et al.
- D537,078 S 2/2007 Tanaka et al.



(56)

References Cited

U.S. PATENT DOCUMENTS

D718,366 S 11/2014 Mehin et al.
D719,568 S * 12/2014 Heinrich D14/372
D727,317 S * 4/2015 Olsson D14/372

D738,373 S * 9/2015 Davies D14/372
D740,813 S * 10/2015 Bosveld D14/372
D740,815 S * 10/2015 Bosveld D14/372
D745,007 S * 12/2015 Cazalet D14/372
D746,818 S * 1/2016 Cho D14/372

* cited by examiner

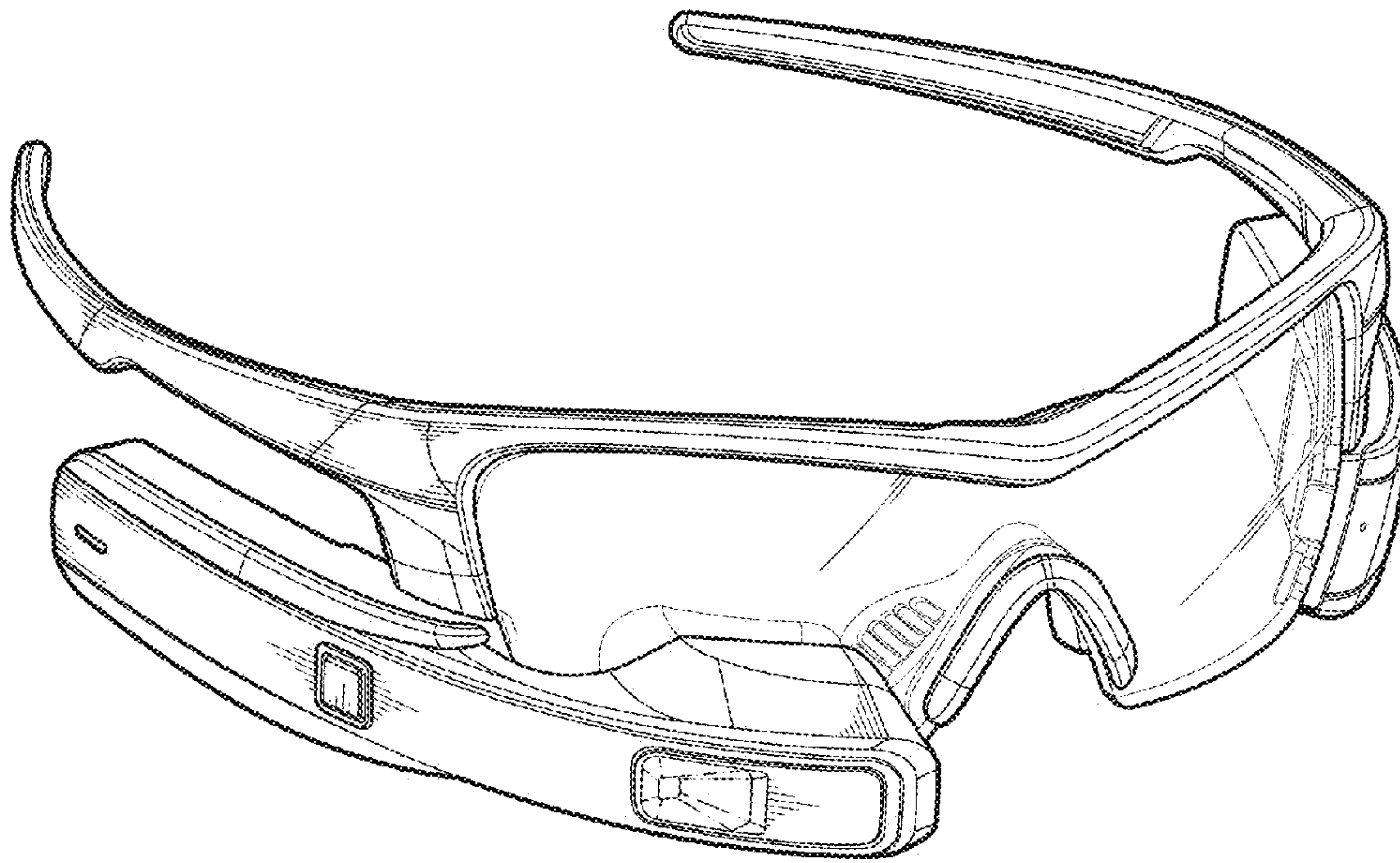


FIG. 1

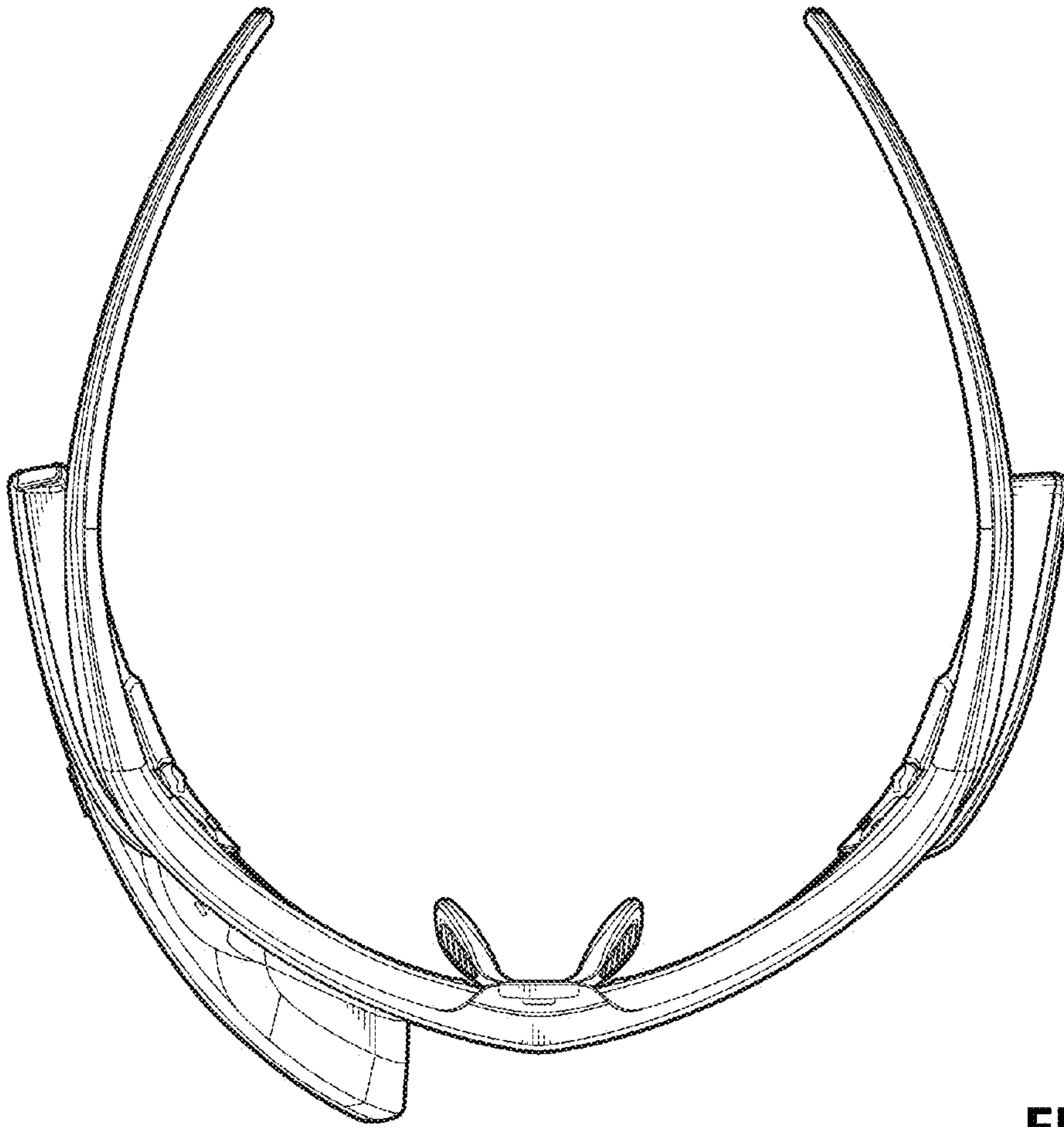


FIG. 2

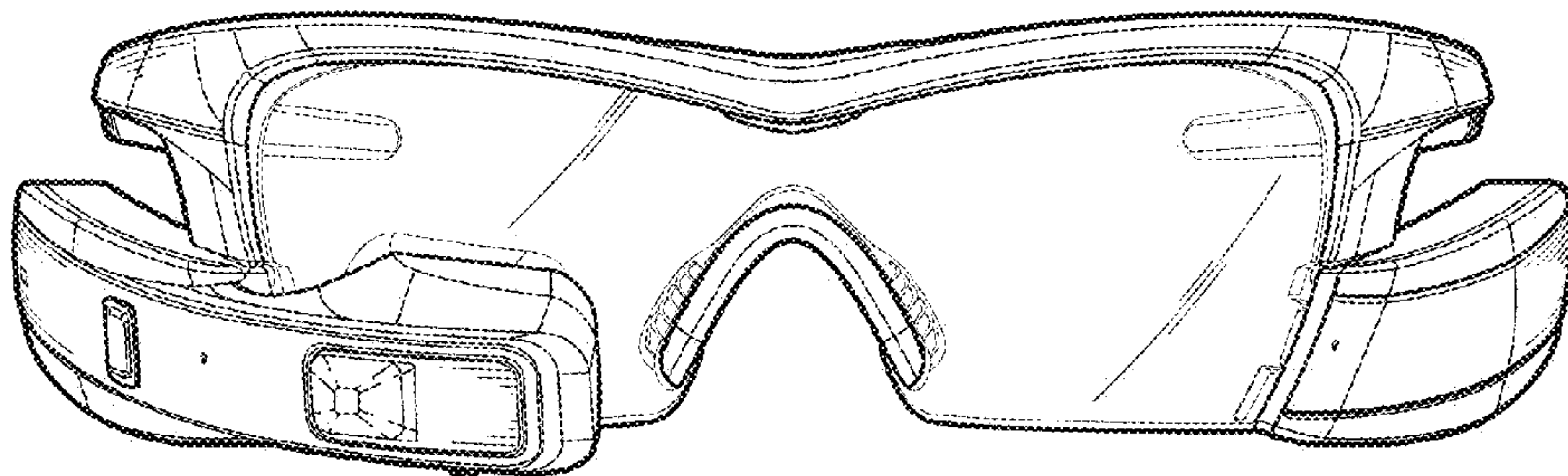


FIG. 3

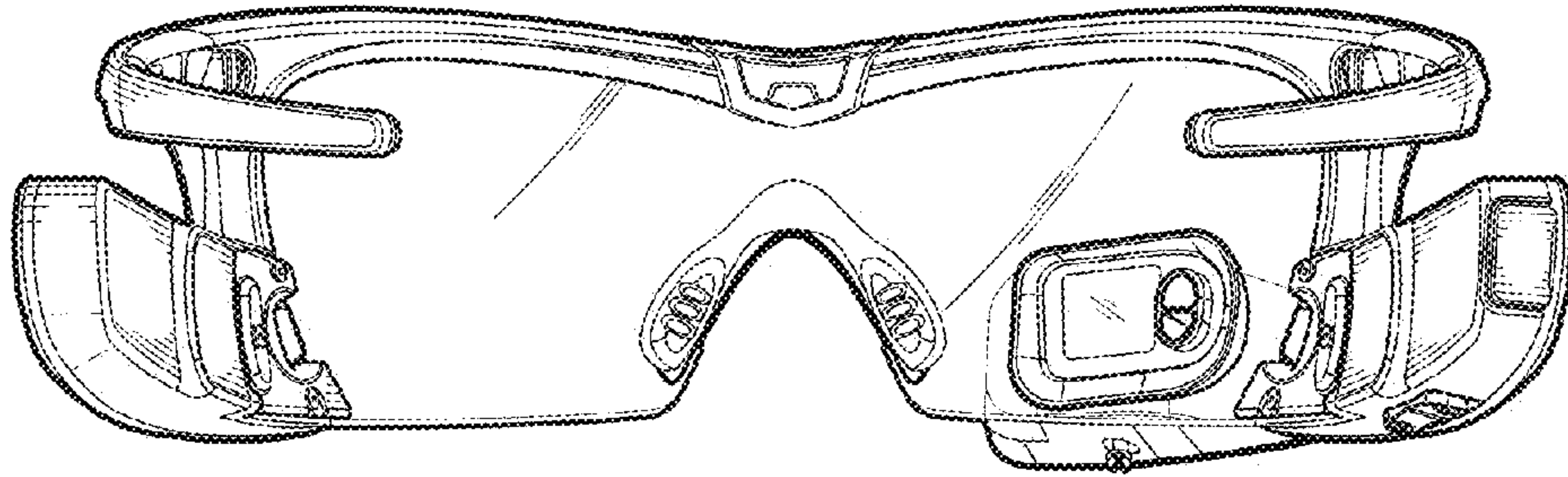


FIG. 4

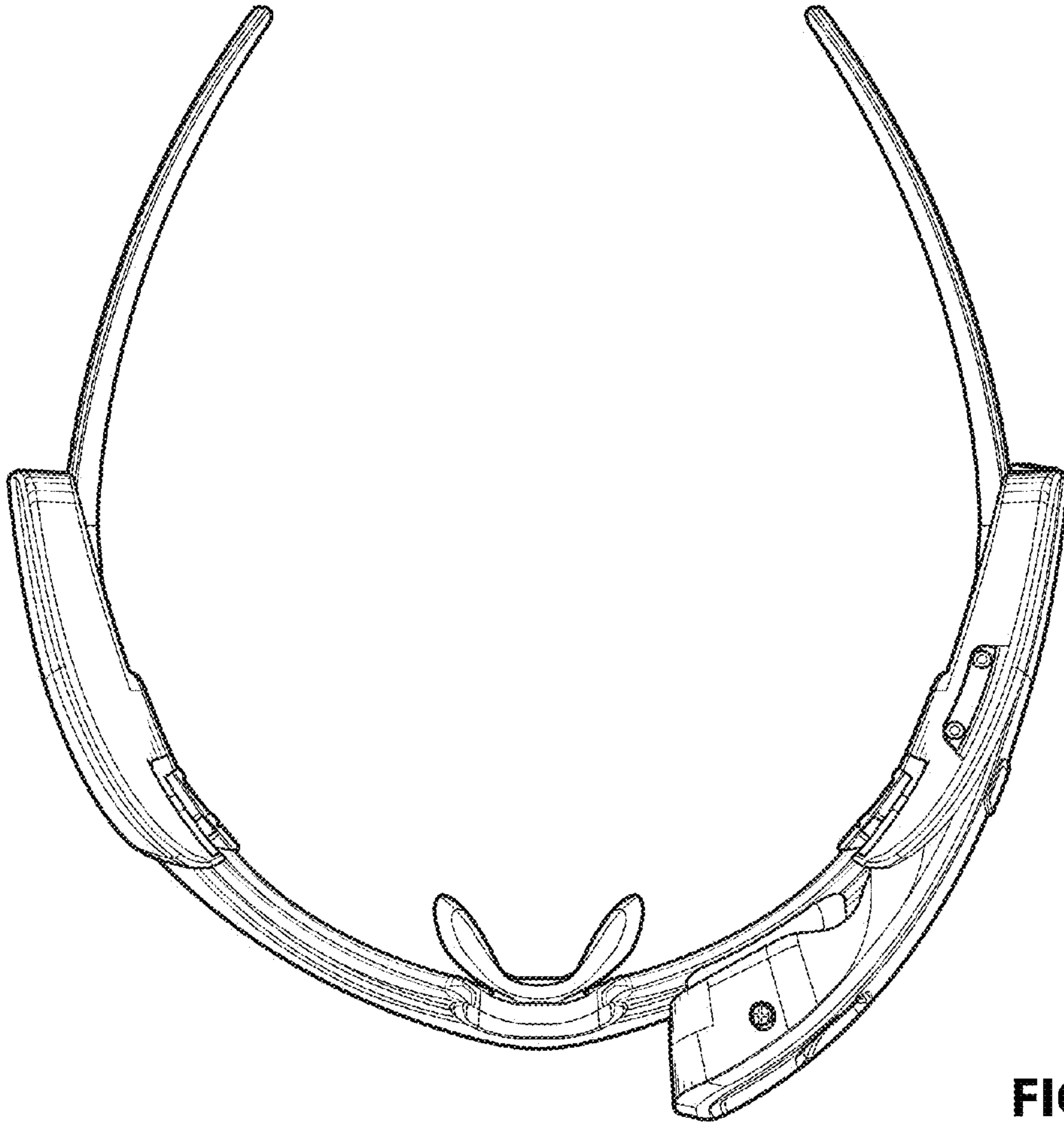


FIG. 5

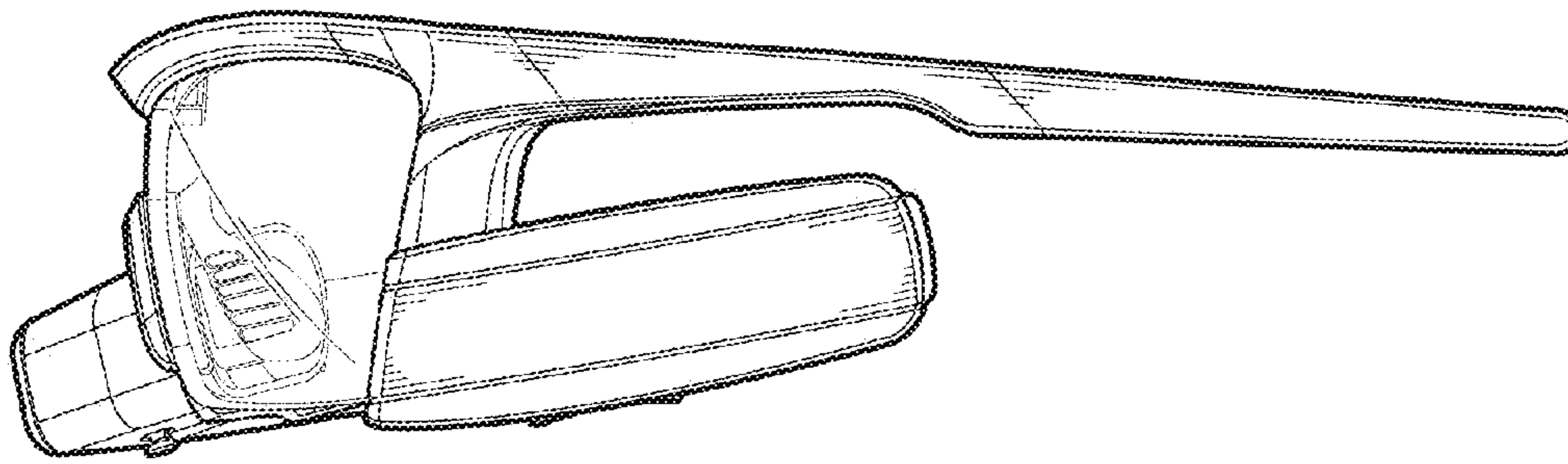


FIG. 6

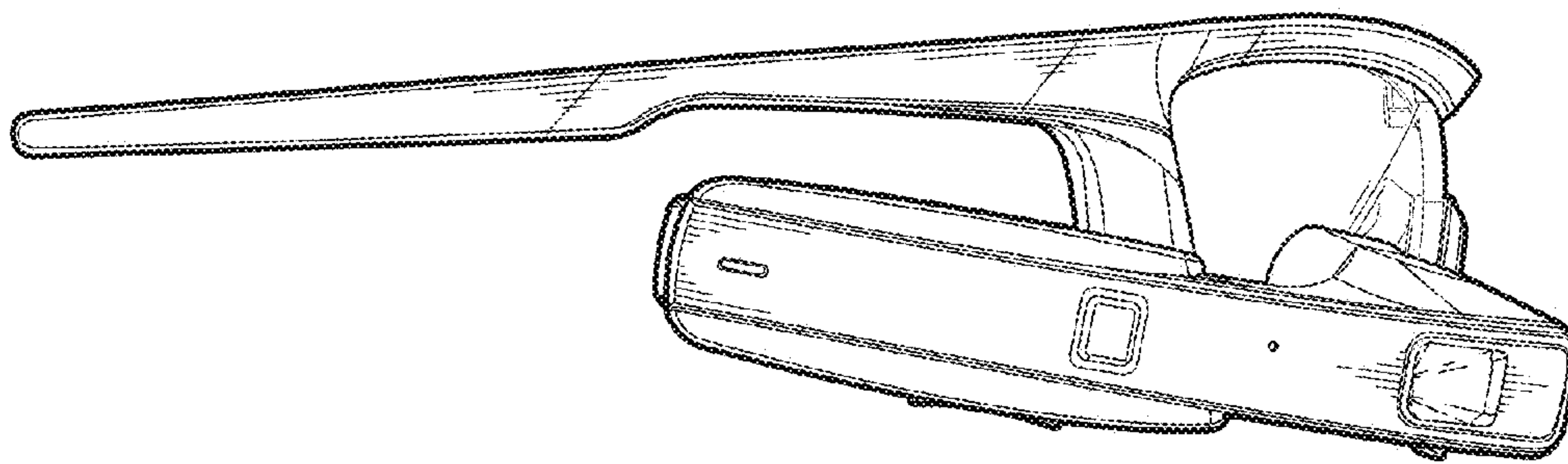


FIG. 7