



US00D759014S

(12) **United States Design Patent**  
**Chang**

(10) **Patent No.:** **US D759,014 S**  
(45) **Date of Patent:** **\*\* Jun. 14, 2016**

(54) **VIDEO DISPLAY**

(71) Applicant: **GETAC TECHNOLOGY CORPORATION**, Hsinchu County (TW)

(72) Inventor: **Chia-Wei Chang**, Taipei (TW)

(73) Assignee: **Getac Technology Corporation**, Hsinchu County (TW)

(\*\*) Term: **14 Years**

(21) Appl. No.: **29/519,757**

(22) Filed: **Mar. 6, 2015**

(51) **LOC (10) Cl.** ..... **14-02**

(52) **U.S. Cl.**  
USPC ..... **D14/371**

(58) **Field of Classification Search**  
USPC ..... D14/371-375, 125-129, 336, 337, 341; 341/12; 345/104, 156, 168, 173; 348/180, 184, 325, 739; 349/1, 2, 11, 349/62; 361/679.05-679.07, 679.21; D6/300, 308  
CPC ..... G06F 1/16; G06F 1/1601; G06F 3/037; G06F 1/162; F16M 11/02; F16M 11/10; F16M 11/00

See application file for complete search history.

(56) **References Cited**

U.S. PATENT DOCUMENTS

D465,492 S *	11/2002	Scribner	.....	D14/375
D509,827 S *	9/2005	Johnson	.....	D14/374
D536,337 S *	2/2007	Chuang	.....	D14/336
D582,917 S *	12/2008	Wada	.....	D14/371
D666,618 S *	9/2012	Doyea	.....	D14/371

\* cited by examiner

*Primary Examiner* — Freda S Nunn

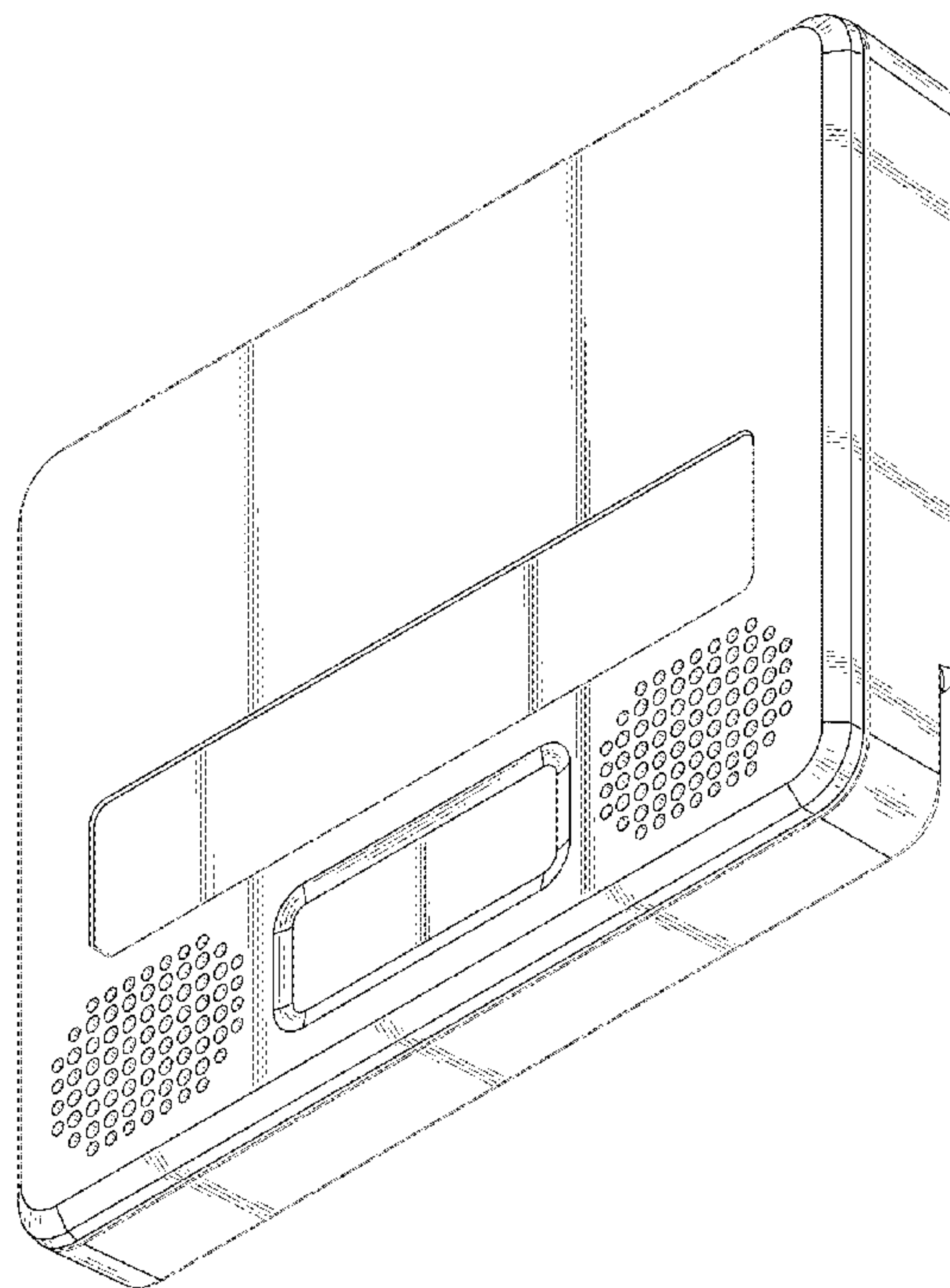
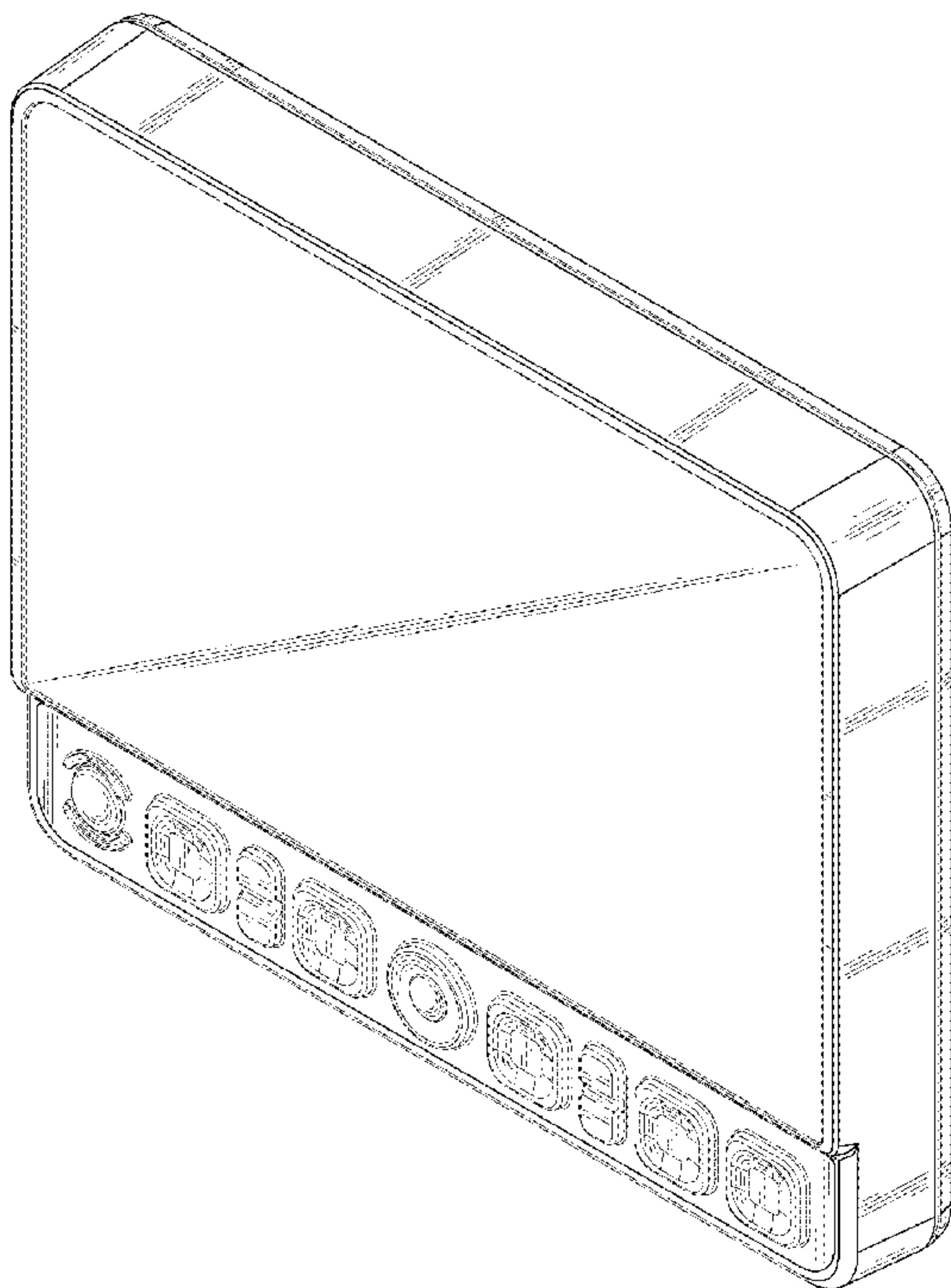
(57) **CLAIM**

The ornamental design for a video display, as shown and described.

**DESCRIPTION**

FIG. 1 is a top, front, right side perspective view of a video display showing my new design;  
FIG. 2 is a bottom, rear, left side perspective view thereof;  
FIG. 3 is a front view thereof;  
FIG. 4 is a rear view thereof;  
FIG. 5 is a left side view thereof;  
FIG. 6 is a right side view thereof;  
FIG. 7 is a top view thereof; and,  
FIG. 8 is a bottom view thereof.

**1 Claim, 6 Drawing Sheets**



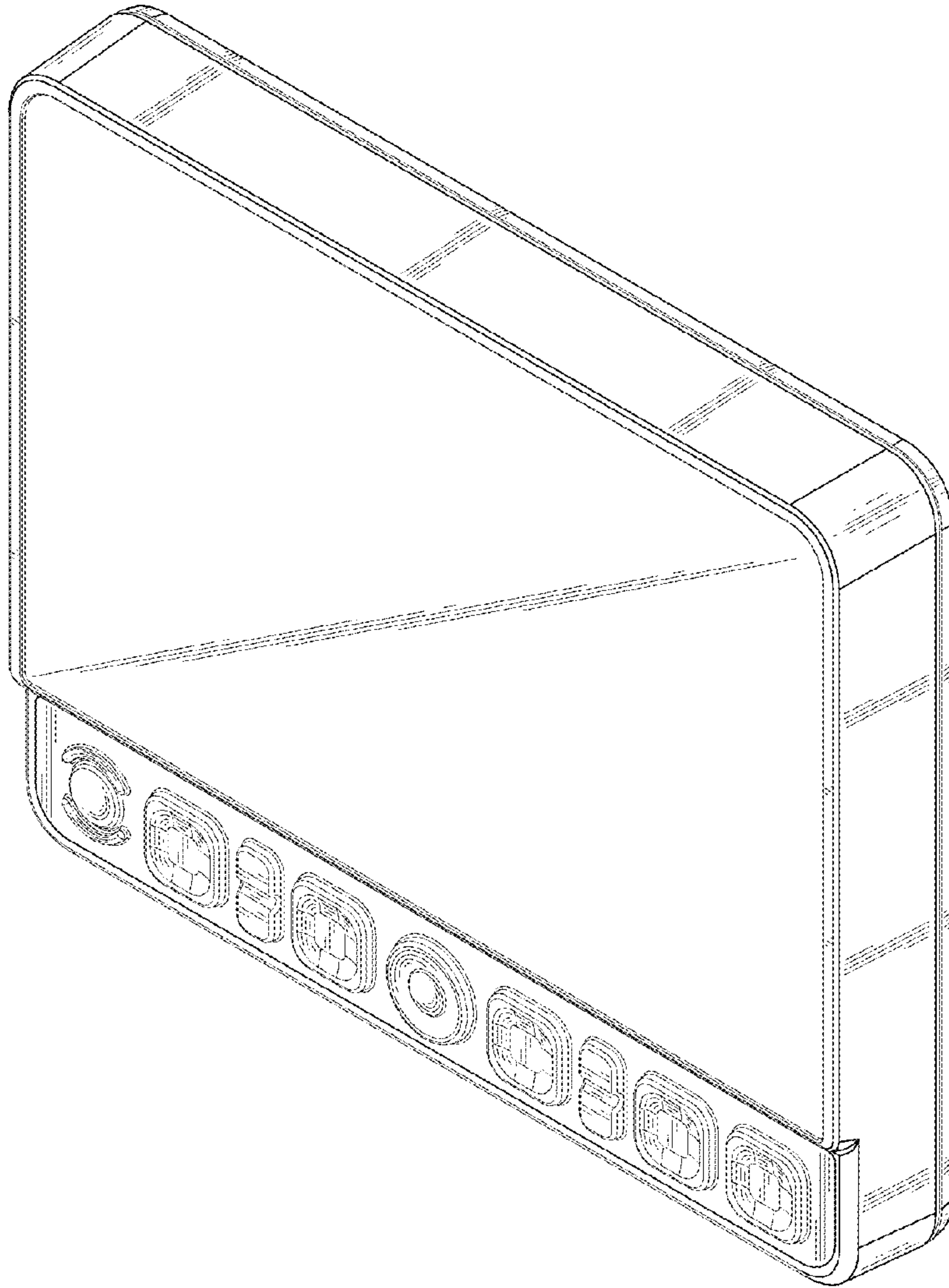


FIG. 1

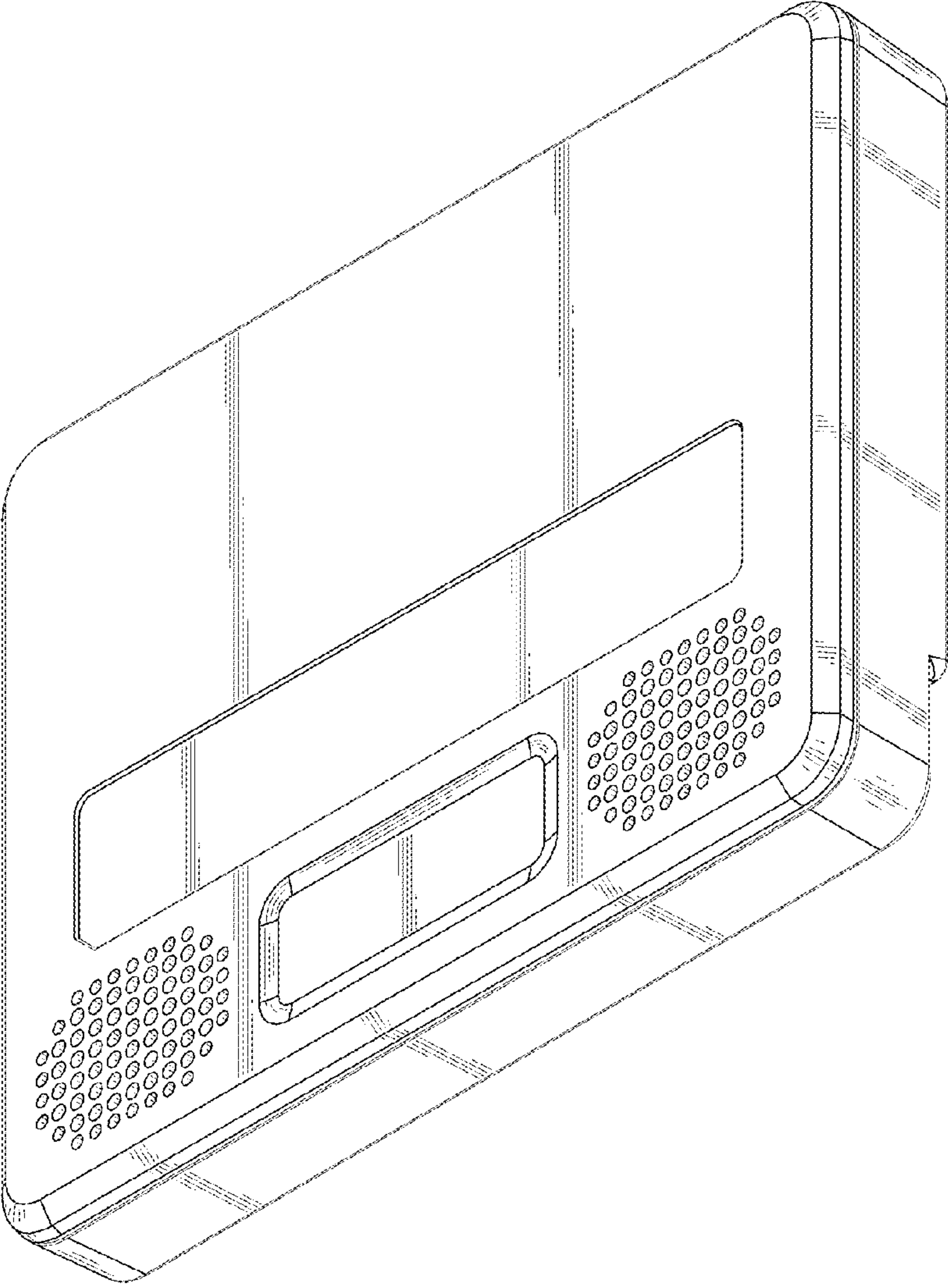


FIG. 2



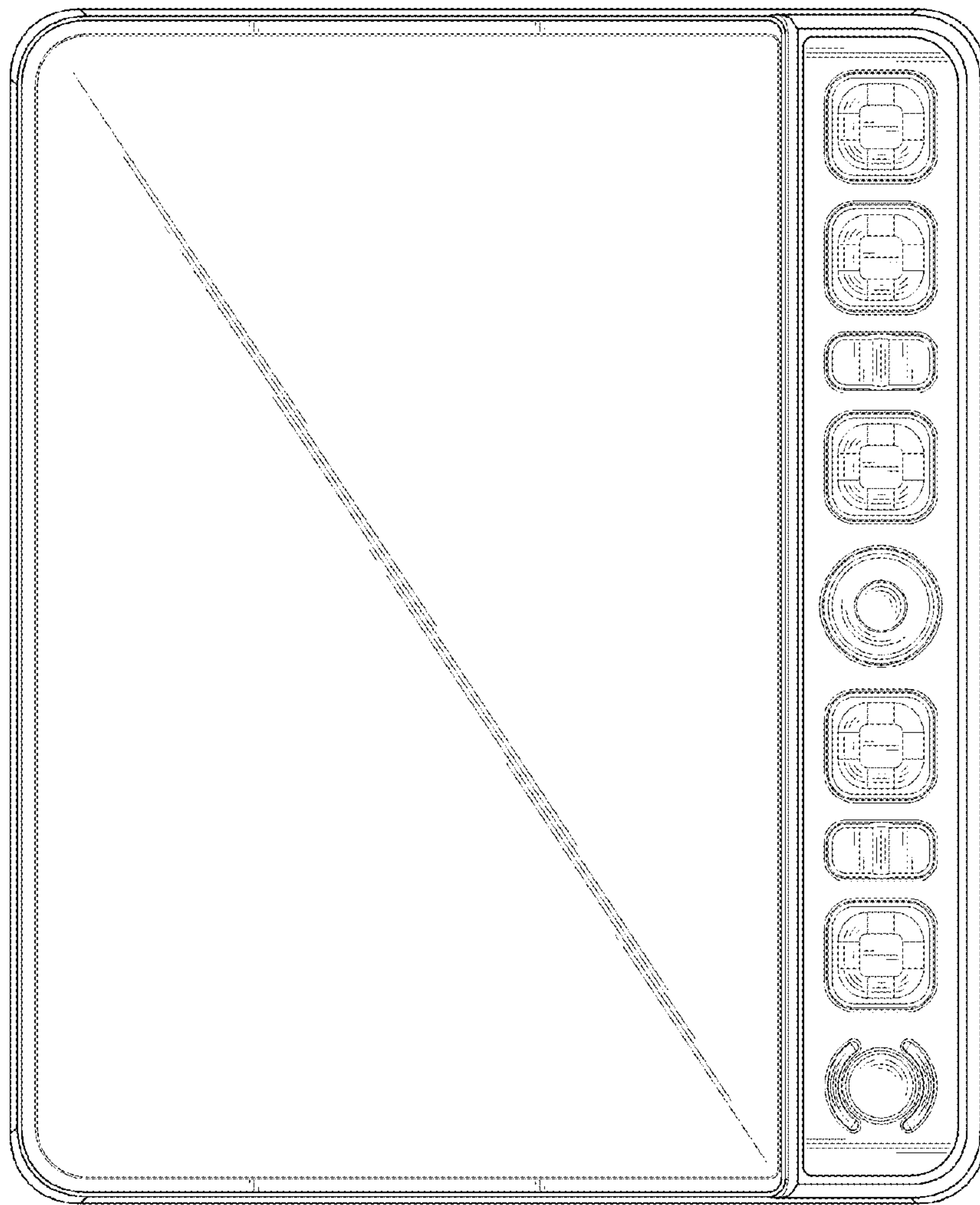


FIG. 3

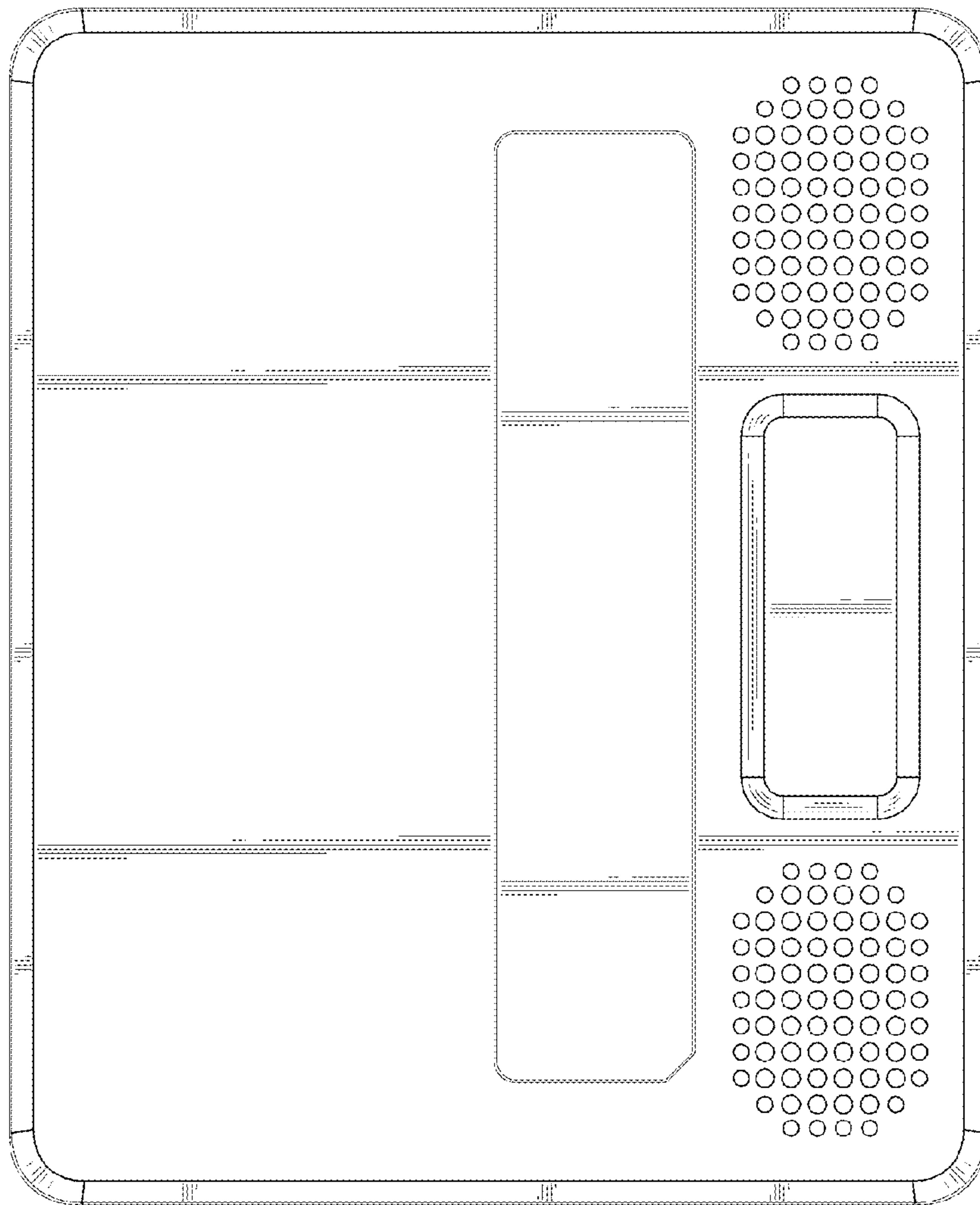


FIG. 4

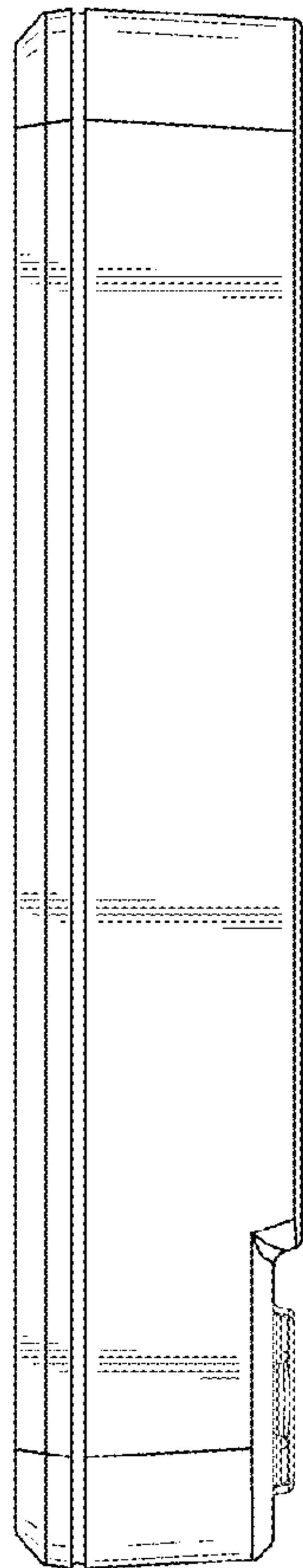


FIG. 5

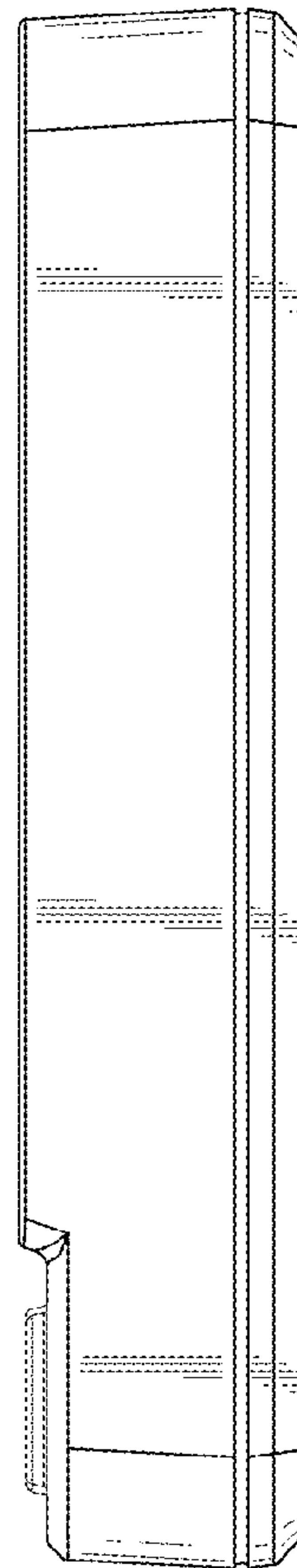


FIG. 6

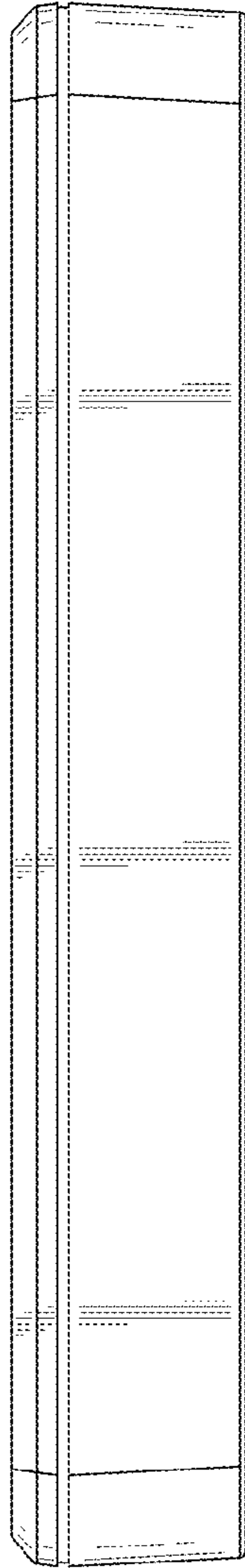


FIG. 7

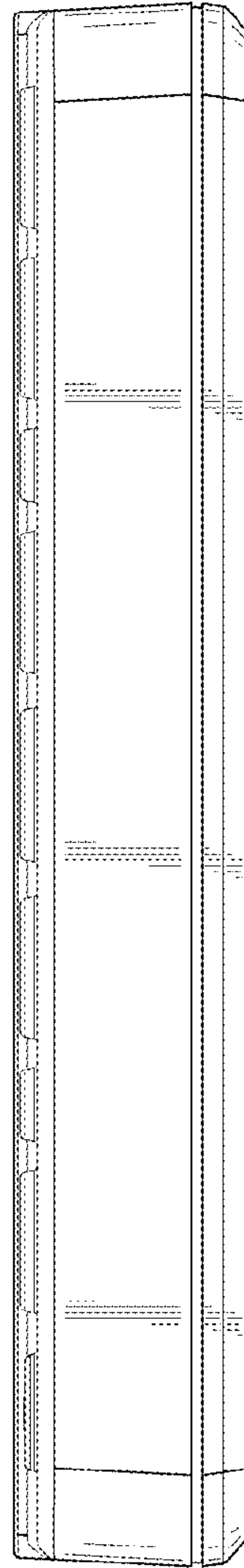


FIG. 8