



US00D759012S

(12) **United States Design Patent**  
**Golden et al.**

(10) **Patent No.:** **US D759,012 S**  
(45) **Date of Patent:** **\*\* Jun. 14, 2016**

(54) **CENTRAL CONTROLLER**

(71) Applicant: **Lennox Industries Inc.**, Richardson, TX (US)

(72) Inventors: **Kyle Golden**, Richardson, TX (US); **Steve Vendt**, Carrollton, TX (US); **Steve Lazar**, Carrollton, TX (US); **Thomas Gerard Pavlak**, Commerce Township, MI (US)

(73) Assignee: **Lennox Industries Inc.**, Richardson, TX (US)

(\*\*) Term: **14 Years**

(21) Appl. No.: **29/515,122**

(22) Filed: **Jan. 20, 2015**

(51) **LOC (10) Cl.** ..... **14-02**

(52) **U.S. Cl.**  
USPC ..... **D14/358**; D14/388; D13/162; D10/50

(58) **Field of Classification Search**  
USPC ..... D14/356, 388, 399, 400, 402, 408, 432, D14/433, 439, 454, 299, 218, 496, 511, 314, D14/320-322, 336, 337, 375; D13/162, D13/164, 168, 171, 173, 174, 184, 123, 158, D13/199; D10/46, 49-51, 104.1, 106.1, D10/106.5, 106.95

CPC ..... F23N 5/20; F23N 5/203; F23N 5/206; F23N 5/18; F23N 5/184; F23N 5/187; F23N 5/22; F23N 2025/12; F23N 2041/02; F24F 2011/0053; F24F 2011/0071; F24F 2011/0073; F24F 2011/0091; F24F 11/00; F24F 11/0012; F24F 11/0009; F24F 11/001

See application file for complete search history.

(56) **References Cited**

U.S. PATENT DOCUMENTS

D258,577	S	*	3/1981	Bottner	.....	D10/104.1
D365,029	S	*	12/1995	Gaskell	.....	D10/50
D386,988	S	*	12/1997	Gee, II	.....	D10/50
D386,989	S	*	12/1997	Gee, II	.....	D10/50
D390,134	S	*	2/1998	Ingebritson	.....	D10/50
D393,214	S	*	4/1998	Ingebritson	.....	D10/50
D520,519	S	*	5/2006	Chin	.....	D14/203.3
D537,817	S	*	3/2007	Andre	.....	D14/314
D571,351	S	*	6/2008	Sogabe	.....	D14/168

(Continued)

OTHER PUBLICATIONS

Lux Products TX9000RF-004 Programmable Thermostat w/ Remote Control. soap.com. (online) 5 pages. Purchased as early as Jul. 30, 2007 [retrieved on Apr. 15, 2016]. Retrieved from Internet: <https://www.soap.com/p/lux-products-tx9000rf-004-programmable-thermostat-w-remote-control-236208>.\*

(Continued)

*Primary Examiner* — Susan Bennett Hattan

*Assistant Examiner* — Marie Fast Horse

(74) *Attorney, Agent, or Firm* — R. Johnston Law, PLLC

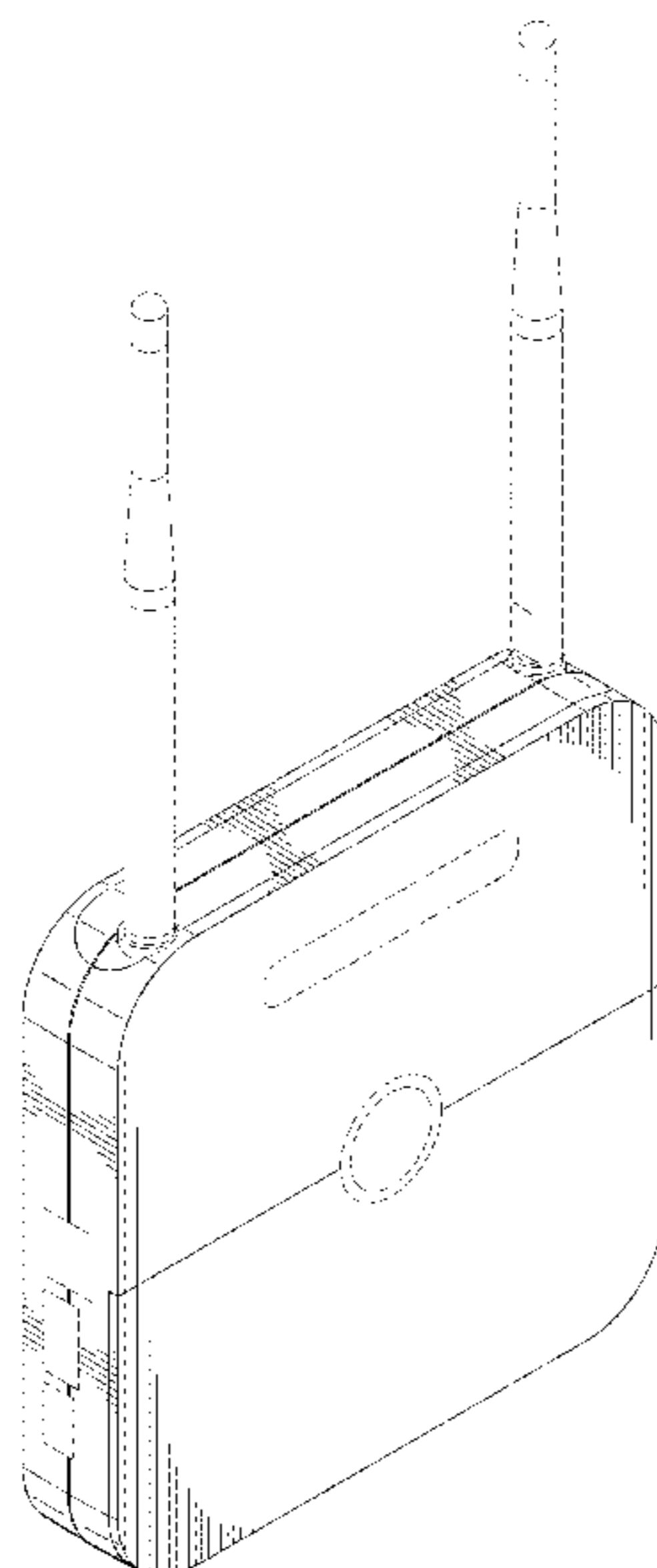
(57) **CLAIM**

The ornamental design for “a central controller,” as shown and described.

**DESCRIPTION**

FIG. 1 is a front perspective view of the central controller; FIG. 2 is a front view of the central controller; FIG. 3 is a back view of the central controller; FIG. 4 is a right side view of the central controller; FIG. 5 is a left side view of the central controller; FIG. 6 is a top view of the central controller; and, FIG. 7 is a bottom view of the central controller. The broken lines in the drawings depict parts of the central controller that form no part of the claim.

**1 Claim, 5 Drawing Sheets**



(56)

References Cited

U.S. PATENT DOCUMENTS

7,454,269 B1 \* 11/2008 Dushane ..... F24F 11/0086  
236/94  
D585,055 S \* 1/2009 Sabag ..... D14/300  
D585,061 S \* 1/2009 Han ..... D14/358  
D596,626 S \* 7/2009 Andre ..... D14/240  
D618,232 S \* 6/2010 O'Neil ..... D14/314  
D619,140 S \* 7/2010 Sin ..... D14/480.6  
D632,265 S \* 2/2011 Choi ..... D13/168  
D637,951 S \* 5/2011 Perez ..... D13/108  
D638,386 S \* 5/2011 Mosher ..... D14/125  
D648,270 S \* 11/2011 Jiang ..... D13/103  
D648,641 S \* 11/2011 Wallaert ..... D10/49  
D648,642 S \* 11/2011 Wallaert ..... D10/49  
D657,784 S \* 4/2012 Akana ..... D14/314  
D659,637 S \* 5/2012 Hwang ..... D13/108  
D660,794 S \* 5/2012 Fahrendorff ..... D13/108  
D662,471 S \* 6/2012 Fahrendorff ..... D13/108  
D662,496 S \* 6/2012 Lewis ..... D14/240  
D664,451 S \* 7/2012 Jilderos ..... D10/49  
D676,005 S \* 2/2013 Wood ..... D14/125  
D686,595 S \* 7/2013 Andre ..... D14/217  
D687,433 S \* 8/2013 Lin ..... D14/349  
D689,859 S \* 9/2013 Kurata ..... D14/365  
D706,865 S \* 6/2014 Kumagai ..... D18/11  
D716,752 S \* 11/2014 Katori ..... D10/50

D718,752 S \* 12/2014 Wang ..... D14/240  
D719,561 S \* 12/2014 Akana ..... D14/314  
D722,983 S \* 2/2015 Paredes ..... D13/168  
D724,462 S \* 3/2015 Bould ..... D10/106.2  
D732,010 S \* 6/2015 Hsiau ..... D14/240  
D733,708 S \* 7/2015 Chen ..... D14/240  
D737,697 S \* 9/2015 Bhattacharya ..... D10/50  
D738,755 S \* 9/2015 Druce ..... D10/50  
D740,286 S \* 10/2015 Templeton ..... D14/385  
D750,992 S \* 3/2016 Perez ..... D10/104.1  
D751,142 S \* 3/2016 So ..... D18/50  
D751,426 S \* 3/2016 Edgar ..... D10/50  
D751,515 S \* 3/2016 Paredes ..... D13/168  
D752,562 S \* 3/2016 You ..... D14/240  
2002/0124584 A1 \* 9/2002 Sumida ..... F24F 11/0012  
62/202  
2012/0193437 A1 \* 8/2012 Henry, Jr. .... G05D 23/1905  
236/51

OTHER PUBLICATIONS

a3900 Wireless Thermostat. hailin.com(online PDF) <http://bluecoat-06/?cfu=aHR0cDovL2VuLmhhaWxpbi5jb20vVXBsb2FkbmV3c-y8xMzY5OTgyMzgwLnJheg==> 3 pages uploaded as early as May 31, 2013. [retrieved on Apr. 15, 2016]. Retrieved from Internet: <http://en.hailin.com/Controlproduct/view/id/30.shtml>.\*

\* cited by examiner

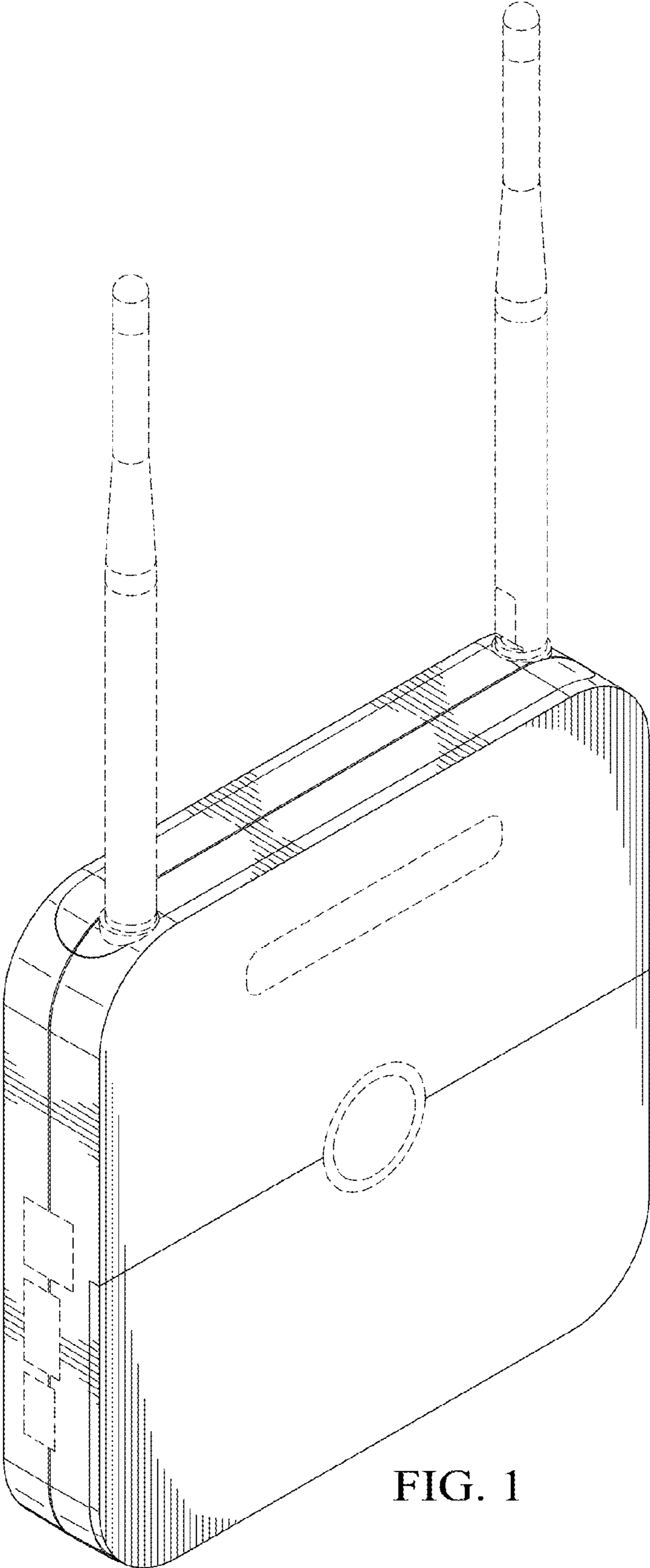


FIG. 1

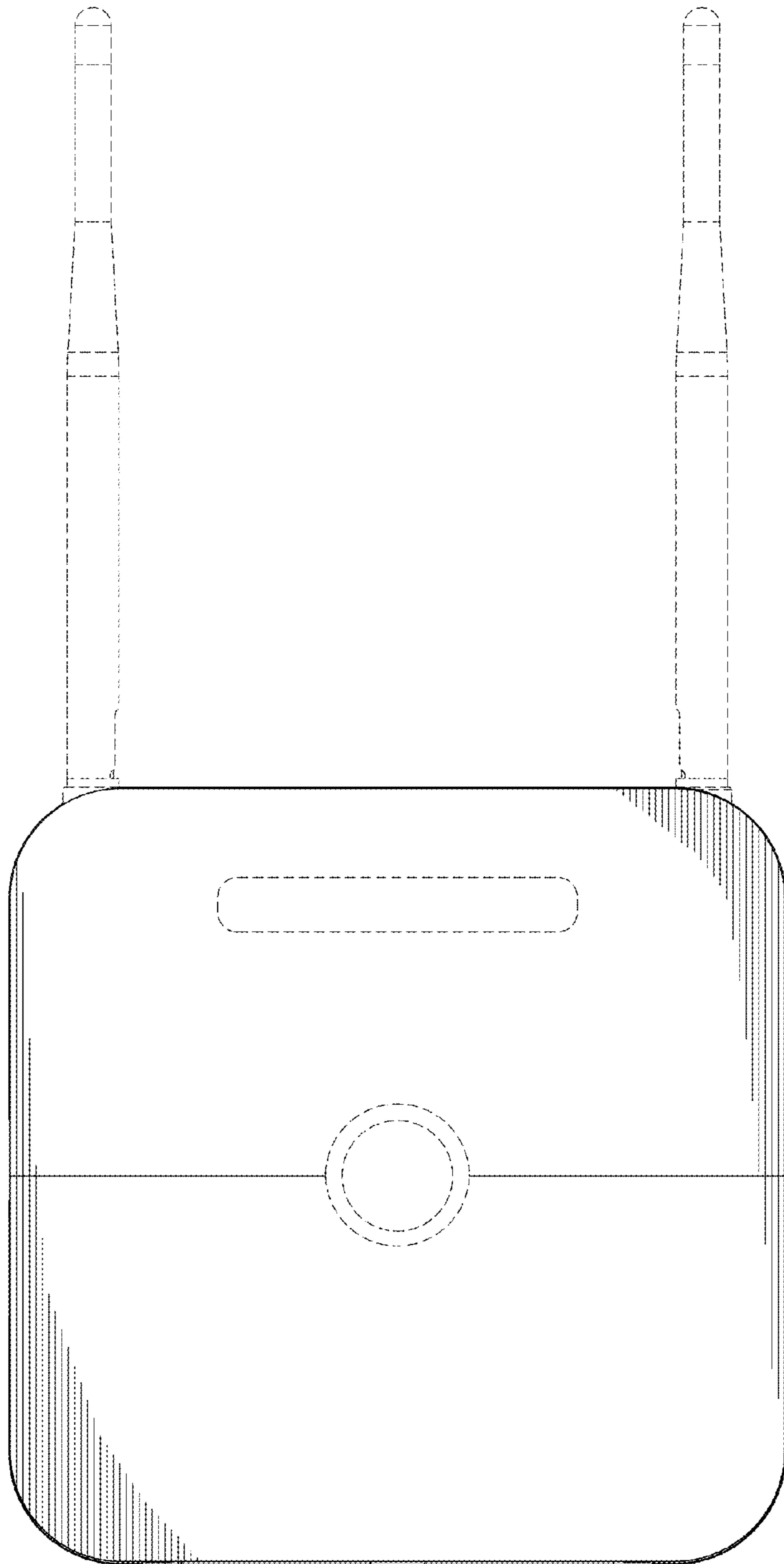


FIG. 2

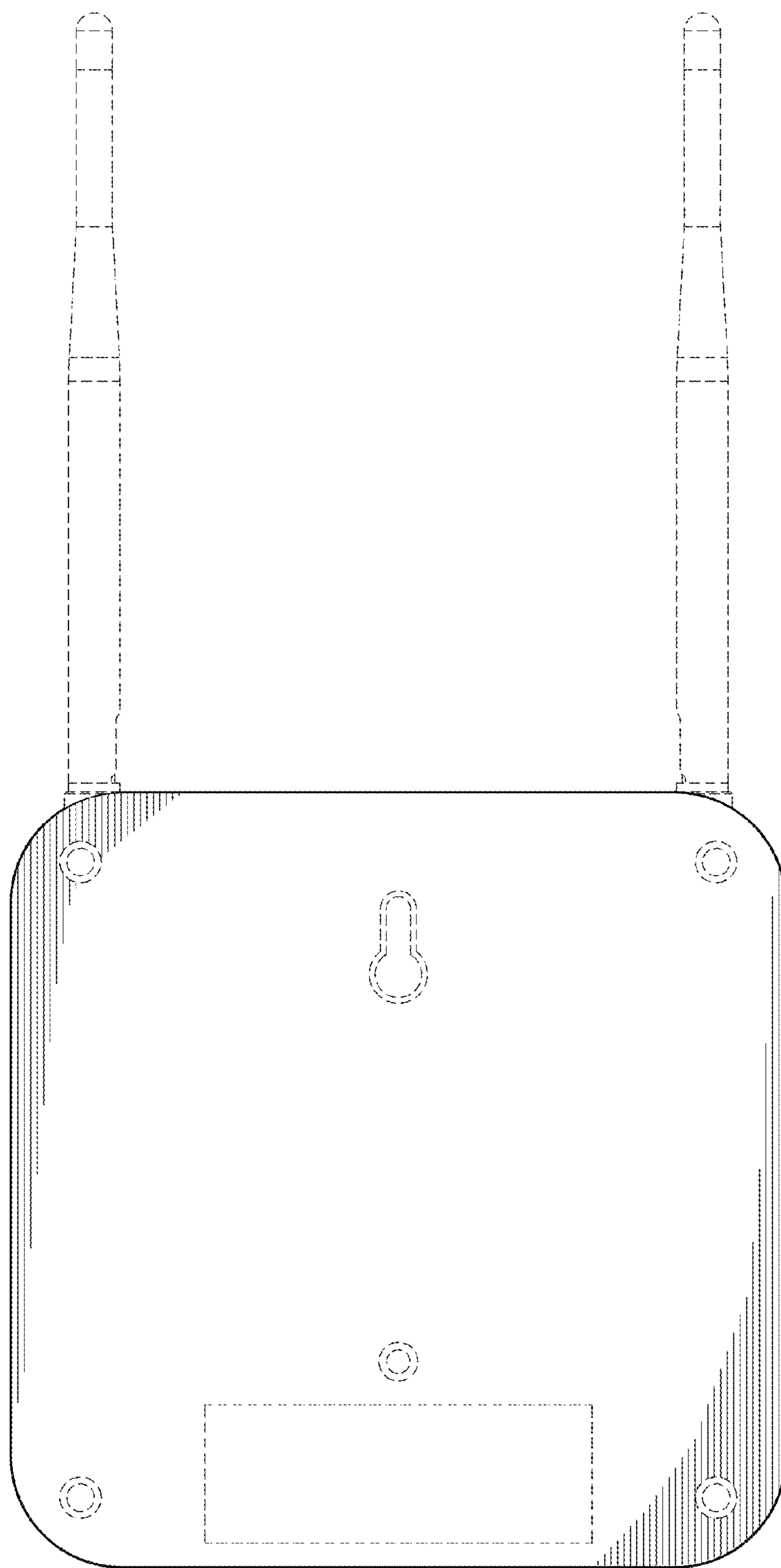


FIG. 3

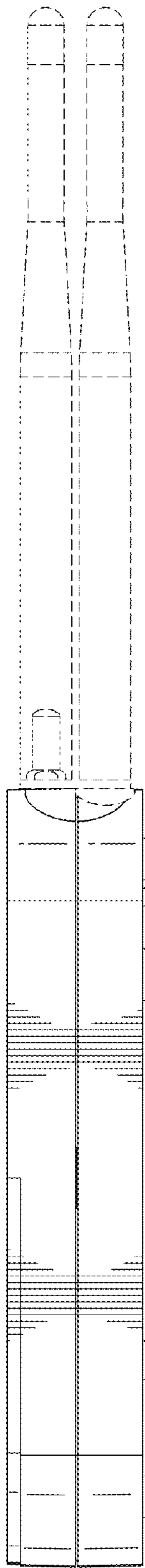


FIG. 4

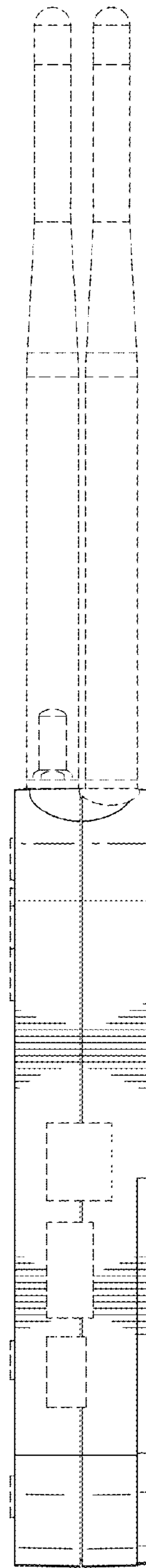


FIG. 5

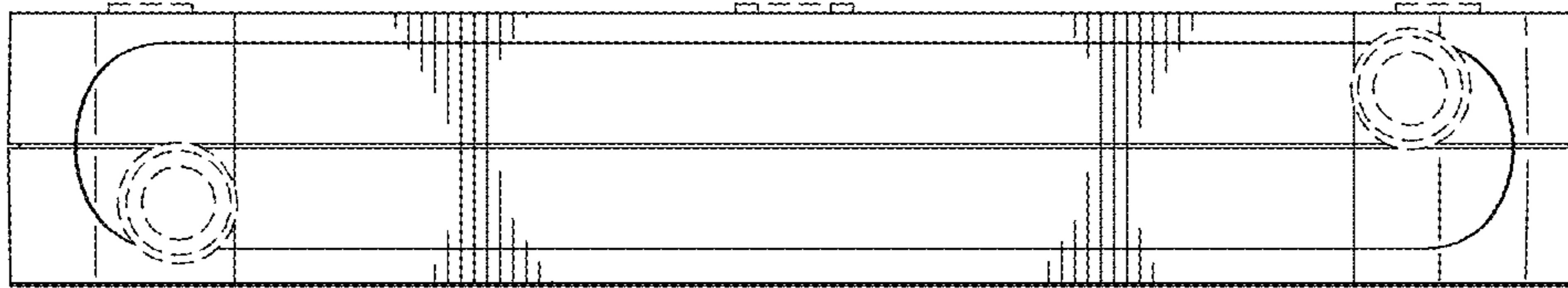


FIG. 6

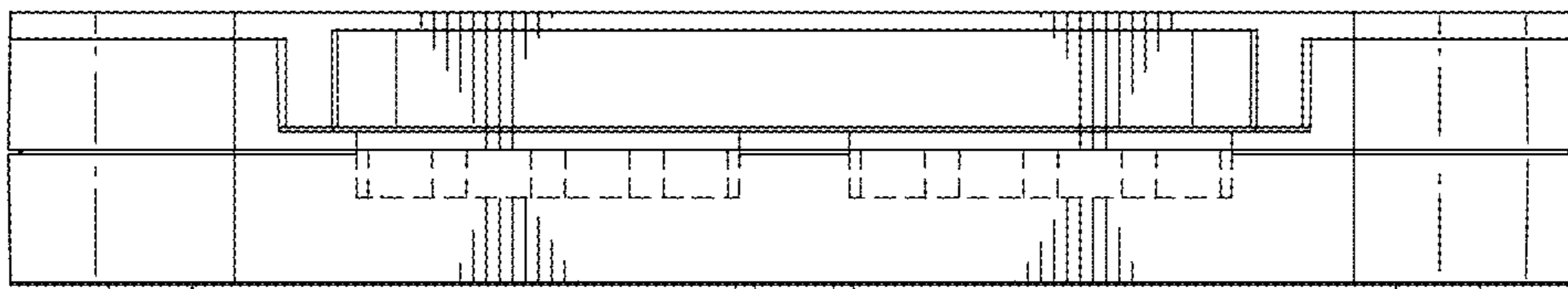


FIG. 7