



US00D759011S

(12) **United States Design Patent**  
**Akana et al.**

(10) **Patent No.:** **US D759,011 S**  
(45) **Date of Patent:** **\*\* Jun. 14, 2016**

(54) **ELECTRONIC DEVICE**

(71) Applicant: **Apple Inc.**, Cupertino, CA (US)

(72) Inventors: **Jody Akana**, San Francisco, CA (US); **Bartley K. Andre**, Palo Alto, CA (US); **Shota Aoyagi**, San Francisco, CA (US); **Anthony Michael Ashcroft**, San Francisco, CA (US); **Jeremy Bataillou**, San Francisco, CA (US); **Daniel J. Coster**, San Francisco, CA (US); **Daniele De Iuliis**, San Francisco, CA (US); **M. Evans Hankey**, San Francisco, CA (US); **Julian Hoenig**, San Francisco, CA (US); **Richard P. Howarth**, San Francisco, CA (US); **Jonathan P. Ive**, San Francisco, CA (US); **Duncan Robert Kerr**, San Francisco, CA (US); **Marc A. Newson**, London (GB); **Matthew Dean Rohrbach**, San Francisco, CA (US); **Peter Russell-Clarke**, San Francisco, CA (US); **Benjamin Andrew Shaffer**, San Jose, CA (US); **Mikael Silvano**, San Francisco, CA (US); **Christopher J. Stringer**, Woodside, CA (US); **Eugene Antony Whang**, San Francisco, CA (US); **Rico Zörkendörfer**, San Francisco, CA (US)

(73) Assignee: **Apple Inc.**, Cupertino, CA (US)

(\*\*) Term: **14 Years**

(21) Appl. No.: **29/499,084**

(22) Filed: **Aug. 11, 2014**

(51) **LOC (10) Cl.** ..... **14-02**

(52) **U.S. Cl.**  
USPC ..... **D14/344**

(58) **Field of Classification Search**  
USPC ..... D14/344, 358, 138 R, 144; D24/167, D24/169, 186-187; D11/3, 93-94; D10/70, D10/98, 30-32, 38-39  
CPC ..... H04B 1/03; H04B 1/385; G04G 9/00; G04G 17/00; G04G 17/04; G04G 17/06; G04G 17/083; H04M 1/0227; H04M 1/03; H04M 1/04; G08G 1/096883; G08G 1/096872; G08G 1/096775; G01C 21/16; G01C 21/3688; G01C 21/30; G01V 8/20;

G01J 5/02; G01J 5/023; G01J 5/24; G01J 5/10; G01J 5/20; G01J 5/0235; G01J 5/08; G01J 5/0853; A44C 5/00; G04B 37/0008

See application file for complete search history.

(56) **References Cited**

U.S. PATENT DOCUMENTS

3,030,686 A 4/1962 Burkhardt  
3,640,065 A 2/1972 Lederrey et al.

(Continued)

FOREIGN PATENT DOCUMENTS

CN D3184158 4/2001  
CN D3210240 11/2001

(Continued)

OTHER PUBLICATIONS

Alvarez, Edgar, "Basis Peak to get its smartwatch-like features in December," engadget.com, <<http://www.engadget.com/2014/11/20/basis-peak-new-features/>>, dated Nov. 20, 2014, accessed Dec. 15, 2014.

(Continued)

*Primary Examiner* — Barbara Fox

(74) *Attorney, Agent, or Firm* — Sterne, Kessler, Goldstein & Fox P.L.L.C.

(57) **CLAIM**

The ornamental design for an electronic device, as shown and described.

**DESCRIPTION**

FIG. 1 is a front view of an electronic device showing our new design;

FIG. 2 is a rear view thereof;

FIG. 3 is a left side view thereof;

FIG. 4 is a right side view thereof;

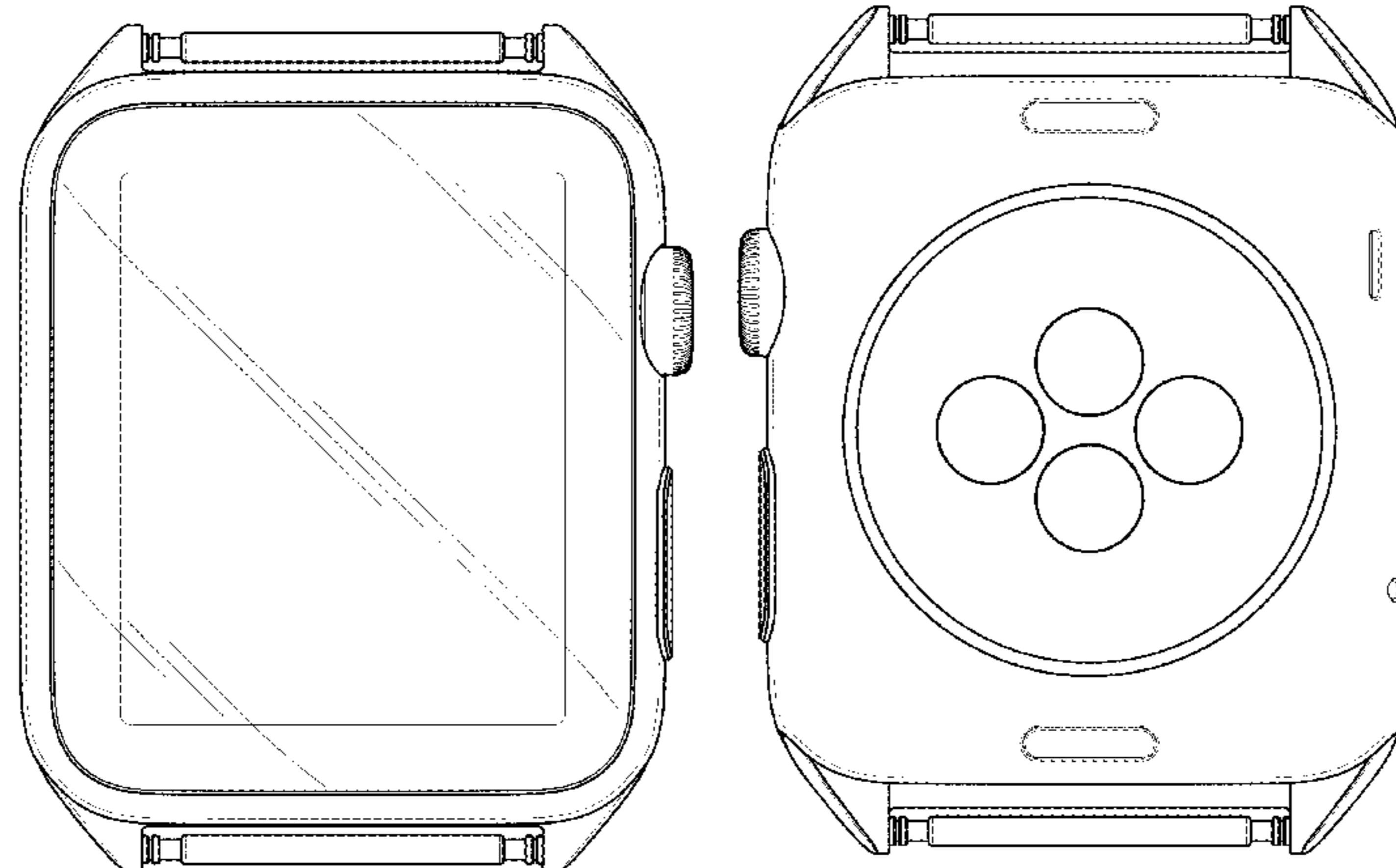
FIG. 5 is a top view thereof; and,

FIG. 6 is a bottom view thereof.

The oblique shade lines in the Figures show a transparent, reflective, or shiny surface, and not surface ornamentation.

The broken lines in the Figures show portions of the electronic device that form no part of the claimed design.

**1 Claim, 4 Drawing Sheets**



(56)

References Cited

U.S. PATENT DOCUMENTS

3,665,565 A 5/1972 Kruger  
 3,675,284 A 7/1972 Rieth  
 D287,471 S 12/1986 Sato  
 5,363,351 A 11/1994 Carney  
 5,386,933 A 2/1995 Greene et al.  
 D473,818 S 4/2003 Salvisberg  
 6,655,831 B1 12/2003 Ruffieux  
 D494,098 S 8/2004 Cohen  
 D496,589 S 9/2004 Perrenoud  
 6,970,157 B2 11/2005 Siddeeq  
 D513,195 S 12/2005 Gruosi  
 7,004,469 B2 2/2006 Von Goeben  
 D528,439 S 9/2006 Burton  
 D528,928 S 9/2006 Burton  
 7,106,197 B2 9/2006 Gaiotto et al.  
 D558,227 S 12/2007 Cho et al.  
 D572,266 S 7/2008 Anderson et al.  
 D574,735 S 8/2008 Landman et al.  
 D578,922 S 10/2008 Hoshino  
 D584,170 S 1/2009 Morrison  
 D586,823 S 2/2009 Anderson et al.  
 D589,375 S 3/2009 Tang  
 D596,610 S 7/2009 Hou  
 D616,417 S 5/2010 Liao  
 7,708,457 B2 5/2010 Girardin et al.  
 D637,094 S 5/2011 Cobbett et al.  
 D637,918 S 5/2011 Cobbett et al.  
 D648,298 S \* 11/2011 Pierce ..... D14/138 G  
 D650,706 S 12/2011 Zanella et al.  
 D655,631 S \* 3/2012 Ruefenacht ..... D10/39  
 D666,503 S 9/2012 Bulgari  
 D681,483 S 5/2013 Biegert et al.  
 8,601,784 B2 12/2013 Kaltenrieder  
 D699,701 S 2/2014 Kim  
 D714,288 S \* 9/2014 Aumiller ..... D14/344  
 D726,680 S \* 4/2015 Kim ..... D10/37  
 D727,198 S \* 4/2015 Akana ..... D11/3  
 D728,624 S \* 5/2015 Akana ..... D14/496  
 D729,237 S \* 5/2015 Fagnot ..... D14/344  
 D729,653 S 5/2015 Nuovo et al.  
 D729,671 S \* 5/2015 Nuovo ..... D10/103  
 D730,210 S 5/2015 Song  
 D737,156 S \* 8/2015 Akana ..... D10/32  
 D737,157 S \* 8/2015 Akana ..... D10/32  
 D737,158 S \* 8/2015 Akana ..... D10/32  
 D737,159 S \* 8/2015 Akana ..... D10/32  
 D741,726 S \* 10/2015 Akana ..... D10/30  
 D745,005 S \* 12/2015 Kim ..... D10/38  
 D745,421 S \* 12/2015 Akana ..... D10/32  
 D745,515 S \* 12/2015 Solomon ..... D14/344  
 D746,707 S \* 1/2016 Akana ..... D10/39  
 D746,868 S \* 1/2016 Akana ..... D14/203.1  
 2010/0061191 A1 3/2010 Chen  
 2014/0096345 A1 4/2014 Tschumi  
 2014/0098649 A1 4/2014 Tschumi

FOREIGN PATENT DOCUMENTS

CN D3329483 10/2003  
 DE 10229050 C1 6/2003  
 EM 001359301-0002 6/2013  
 EP 1098231 A1 5/2001  
 EP 2636328 A1 9/2013  
 GB 618917 A 3/1949  
 GB 2082277 6/1999  
 HK 0501949.8 12/2005  
 HK 1001605.7 12/2010  
 JP D1095230 1/2001  
 JP D1119440 8/2001  
 JP D1127245 11/2001  
 JP D1127493 11/2001  
 JP D1264904 3/2006  
 JP D1281287 9/2006  
 JP D1302423 6/2007

JP D1350052 2/2009  
 JP D1368561 8/2009  
 JP D1433113 2/2012  
 JP D1448195 8/2012  
 JP D1462747 2/2013  
 JP D1466391 4/2013  
 JP D1477307 8/2013  
 JP D1503504 7/2014  
 JP D1511747 11/2014  
 JP D1518040 2/2015  
 WO DM/066491-004 3/2005  
 WO DM/072215 9/2009  
 WO DM/077452-004 6/2011  
 WO 2013182397 A1 12/2013  
 WO 2014135709 A2 9/2014

OTHER PUBLICATIONS

Cool Material, “Braun Square Digital Watch,” <<http://web.archive.org/web/20111125033014/http://coolmaterial.com/style/braun-square-digital-watch/>>, dated Nov. 25, 2011, accessed Dec. 18, 2014.  
 Emily, “Nixon—The Newton Digital,” <<http://www.freshnessmag.com/2009/09/08/nixon-the-newton-digital/>>, freshnessmag.com, dated Sep. 8, 2009, accessed Oct. 9, 2014.  
 etsy.com, “1 Set Silver End Cap Clasp—Findings Large Toggle Clasp End Caps Buckle Connector with Five Inside Loops for Jewelry Making 26mm,” <<http://www.etsy.com/listing/101269004/1-set-silver-end-cap-clasp-findings?ref=market>>, Listed on Aug. 29, 2014, accessed Oct. 9, 2014.  
 Fitbit, “Fitbit Surge™ Fitness Super Watch” <<https://www.fitbit.com/surge>>, accessed Dec. 15, 2014.  
 geekbuying.com, “Makibes unisex red led digital wrist watch with square case silicone watchband—white,” <<http://www.geekbuying.com/item/Unisex-Red-LED-Digital-Wrist-Watch-with-Square-Case-Silicone-Wachband---White-326443.html>>, accessed Oct. 9, 2014.  
 Hodinkee.com, “Apple iPod Nano Now Available With Mickey Mouse Dial, Also Cheesy, Mechanically Inaccurate Open-Worked Dial,” <<http://web.archive.org/web/20111006043916/http://www.hodinkee.com/blog/2011/10/5/apple-ipod-nano-now-available-with-mickey-mouse-dial-also-ch.html>>, dated Oct. 6, 2011, accessed Dec. 18, 2014.  
 Homego, “M6 Silver Smart Watch Cell Phone 1.54 inch Bluetooth 3.0 Dialer Outdoor Sports Pedometer,” amazon.com, <<http://www.amazon.com/Silver-Bluetooth-Dialer-Outdoor-Pedometer/dp/B00MQTBGK6>>, accessed Dec. 15, 2014.  
 Ikepod, “Original Ikepod Watch With GMT—Marc Newson Design,” Watchbox.be, <<http://www.watchbox.be/prod/Others-Watches/Marc%20Newson%20Design/item7165.htm#VJLm2fAo5D8>>, accessed Dec. 17, 2014.  
 LG Life’s Good, “LG G Watch (W100),” <<http://www.lg.com/us/smart-watches/lg-W100-g-watch>>, accessed Dec. 18, 2014.  
 Metawatch, “Frame—Black (MW3005),” <<http://meta.watch/collections/smartwatch-all/products/frame-ss-black-leather>>, accessed Dec. 15, 2014.  
 Omate, “Omate TrueSmart: Water-resistant standalone Smartwatch 2.0,” <<http://www.kickstarter.com/projects/omate/omate-truesmart-water-resistant-standalone-smartwa>>, dated Aug. 21, 2013, accessed Oct. 8, 2014.  
 Omate, “The TrueSmart™ is the world’s first standalone smartwatch 2.0 running on top of Android and OUI 2.0,” <<http://www.omate.com/product.html>>, accessed Dec. 15, 2014.  
 Pebble, “Pebble Smartwatch,” getpebble.com, <<https://getpebble.com/checkout/>>, accessed Dec. 15, 2014.  
 Samsung, “Samsung Gear™ 2 Charcoal Black SM-R3800VSAXAR,” <<http://www.samsung.com/us/mobile/wearable-tech/SM-R3800VSAXAR>>, accessed Dec. 15, 2014.  
 Samsung, “Samsung Gear S™, (Sprint), Black SM-R750PZKASPR,” <<http://www.samsung.com/us/mobile/wearable-tech/SM-R750PZKASPR>>, accessed Dec. 15, 2014.  
 Samsung, “Galaxy Gear™Live, Black SM-R3820ZKAXAR,” <<http://www.samsung.com/us/mobile/wearable-tech/SM-R3820ZKAXAR>>, accessed Dec. 15, 2014.

(56)

**References Cited**

## OTHER PUBLICATIONS

Sony, "SmartWatch 3 SWR50," <<http://www.sonymobile.com/us/products/smartwear/smartwatch-3-swr50/>>, accessed Dec. 15, 2014.

Sony, "SmartWatch," <<http://www.sonymobile.com/us/products/accessories/smartwatch/>>, accessed Dec. 15, 2014.

Stables, James, "Clevercare smartwatch aims to help Alzheimer's suffers and carers: Revamped Sony SmartWatch 2 designed for users that need care," Wearable News, <<http://www.wearable.com/wearable-tech/clevercare-smartwatch-aims-to-help-alzheimers-suffers-and-carers-585>>, dated Dec. 15, 2014.

Team Luxe, "Collector's Edition: Hermes Carre H Watch," Luxpresso, <<http://luxpresso.com/news-couture/collectors-edition-hermes-carre-h-watch/2814>>, dated Jan. 10, 2011, accessed Dec. 18, 2014.

Ted Baker, "Ted Baker Men's TE1054 Time Flies Contemporary Square Digital Case Watch," <[http://www.amazon.com/Ted-Baker-](http://www.amazon.com/Ted-Baker-TE1054-Contemporary-Digital/dp/B0045CRTYO%3F-SubscriptionId%3DAKIAJ3U4YRIBWCGGKZ2A%26tag%3Dfrases365-20%26linkCode%3Dsp1%26camp%3D2025%26creative%3D165953%26creativeASIN%3DB0045CRTYO)

TE1054-Contemporary- Digital/dp/B0045CRTYO%3F-SubscriptionId%3DAKIAJ3U4YRIBWCGGKZ2A%26tag%3Dfrases365-20%26linkCode%3Dsp1%26camp%3D2025%26creative%3D165953%26creativeASIN%3DB0045CRTYO>, accessed Oct. 9, 2014.

Velazco Chris "ASUS ZenWatch review: subtle and stylish, with a few shortcomings," Engadget.com, <<http://www.engadget.com/2014/12/11/asus-zenwatch-review/>>, dated Dec. 11, 2014, accessed Dec. 15, 2014.

Watches Infoniac.com, "Hermes Carre H Watch—Extremely Contemporary Design," <<http://watches.infoniac.com/carre-h-watch-hermes.html>>, dated Aug. 13, 2010, accessed Dec. 18, 2014.

Watchismo, "Braun BN0042 Black Date Leather," <<http://web.archive.org/web/20130815073830/http://www.watchismo.com/braun-bn0042bkbk.aspx>>, dated Aug. 15, 2013, accessed Dec. 18, 2014.

\* cited by examiner

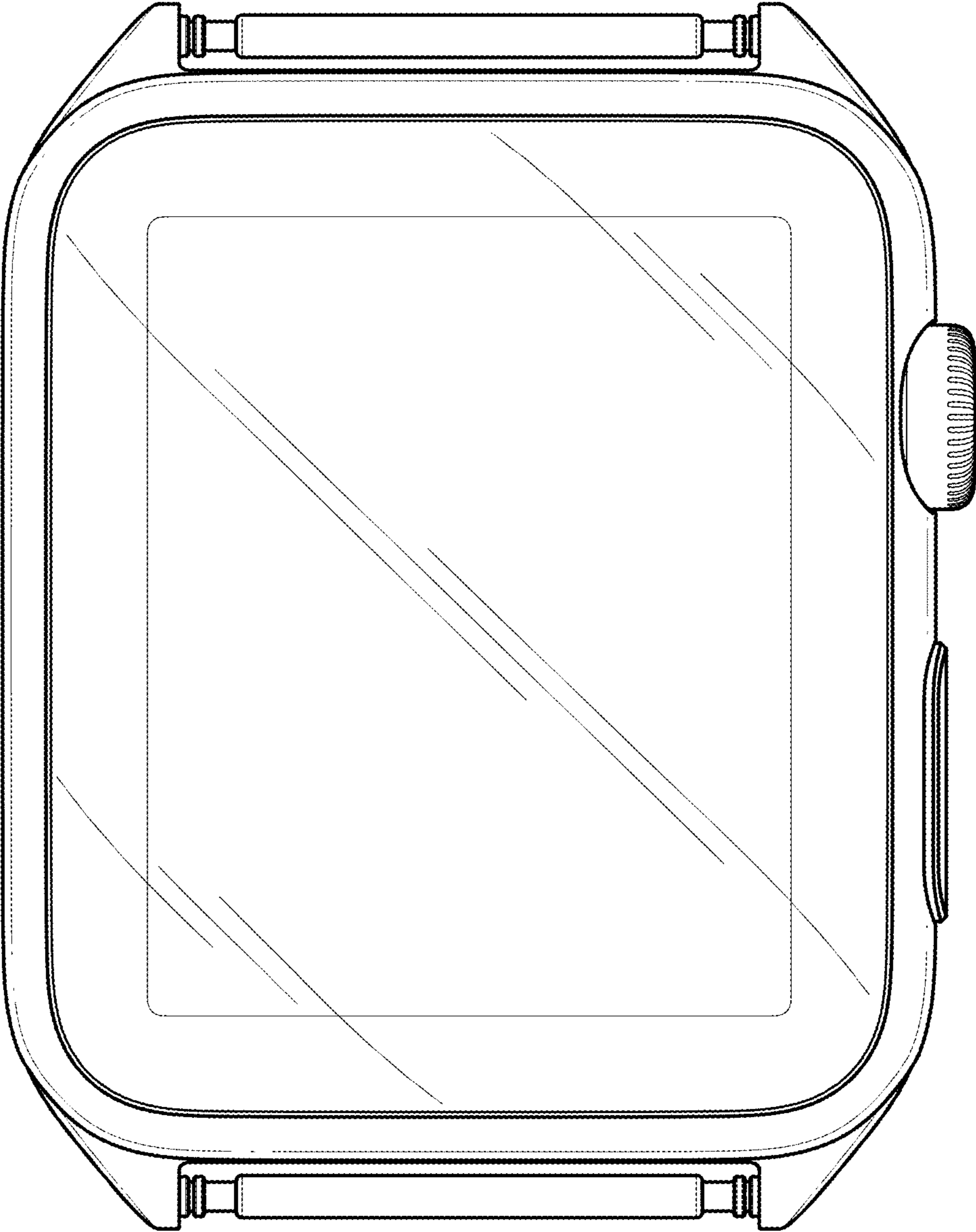


FIG. 1

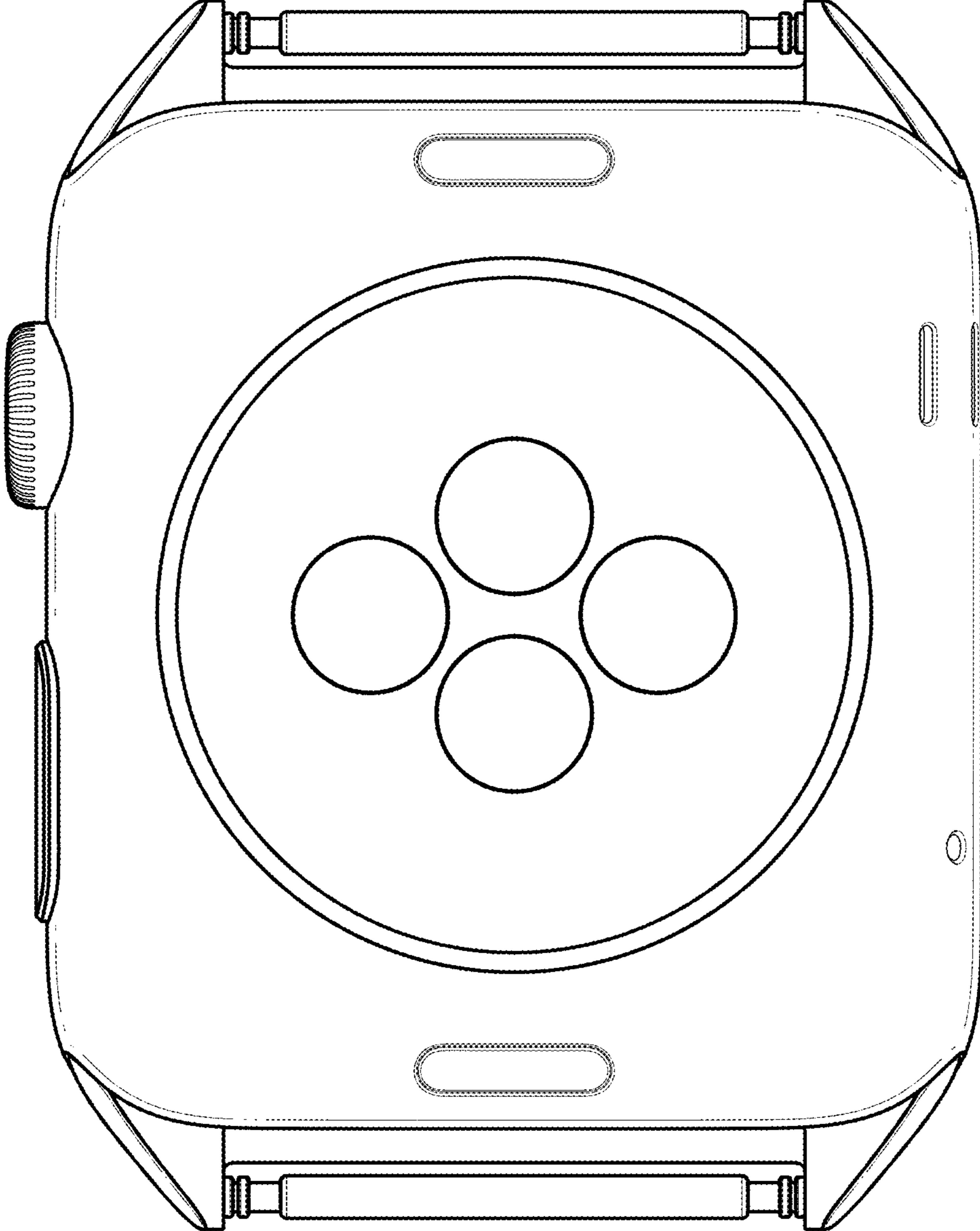


FIG. 2

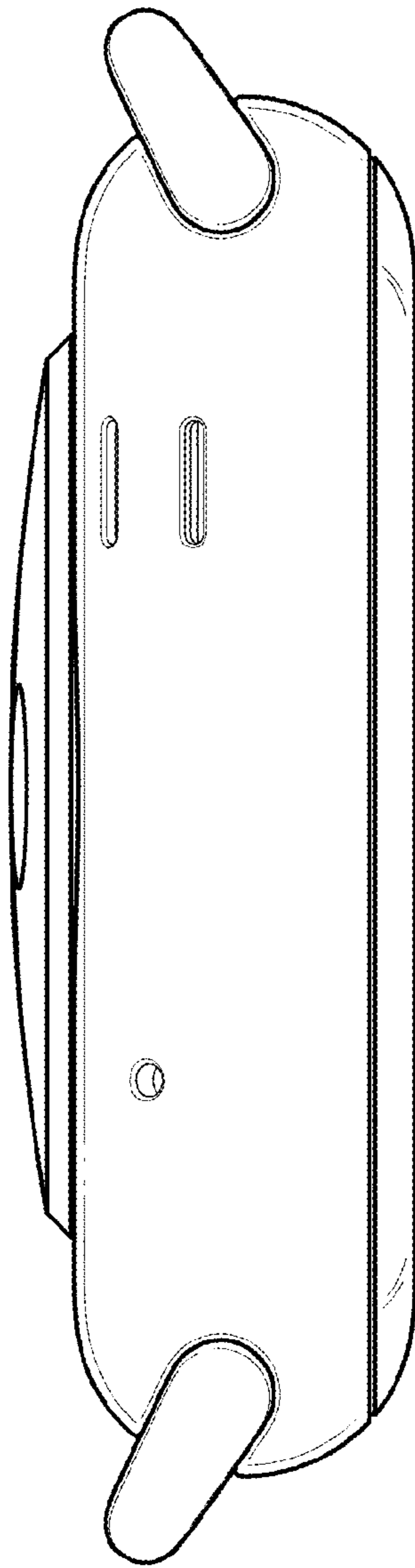


FIG. 3

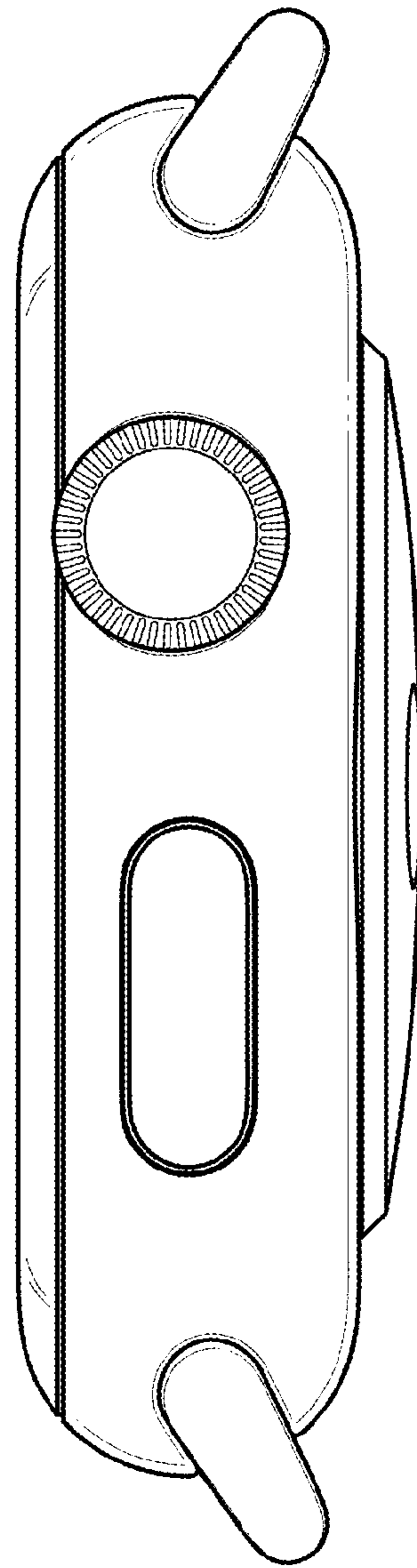


FIG. 4

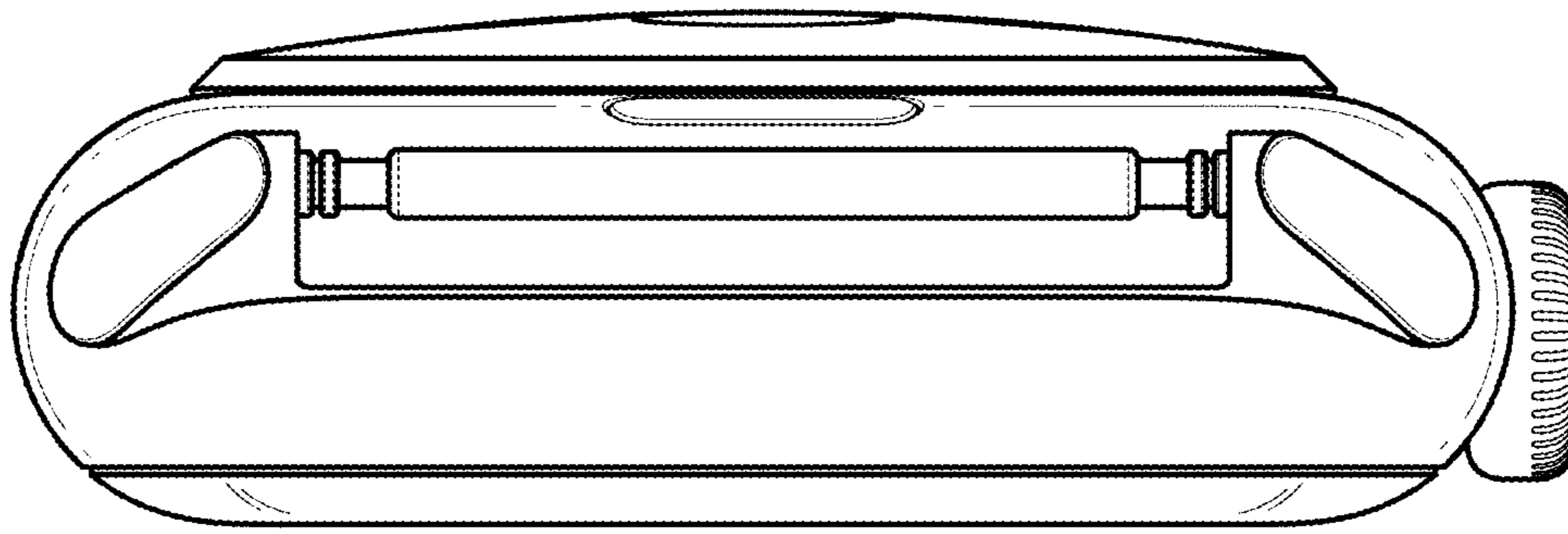


FIG. 5

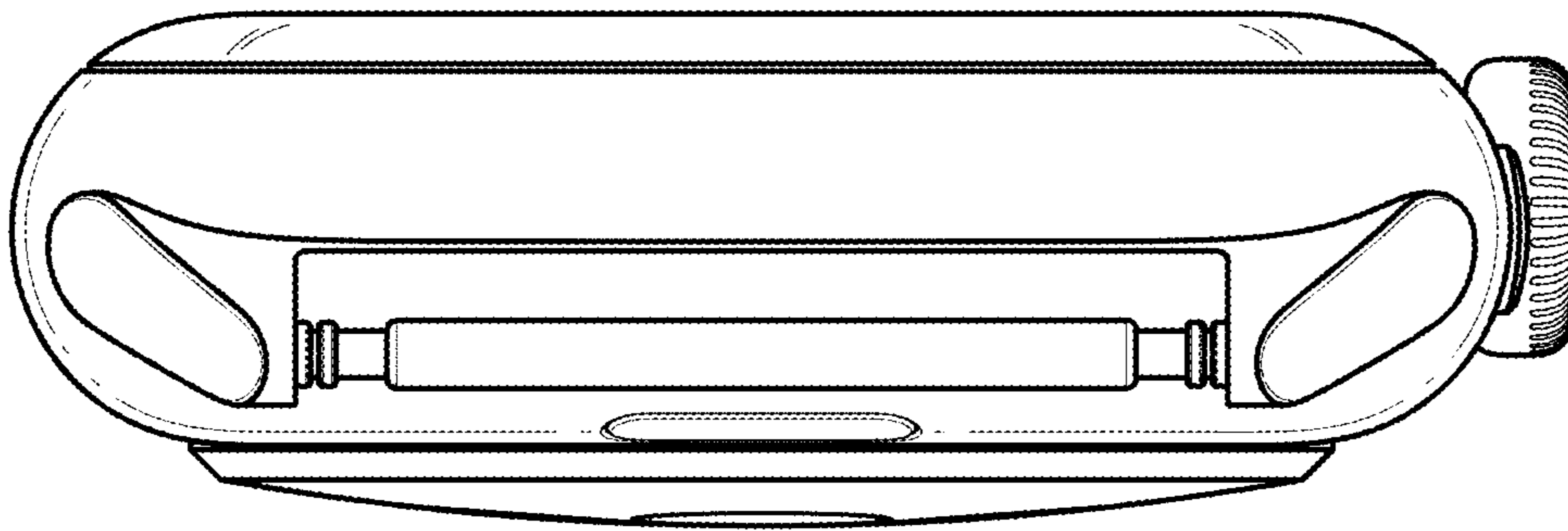


FIG. 6

UNITED STATES PATENT AND TRADEMARK OFFICE  
**CERTIFICATE OF CORRECTION**

PATENT NO. : D759,011 S  
APPLICATION NO. : 29/499084  
DATED : June 14, 2016  
INVENTOR(S) : Akana et al.

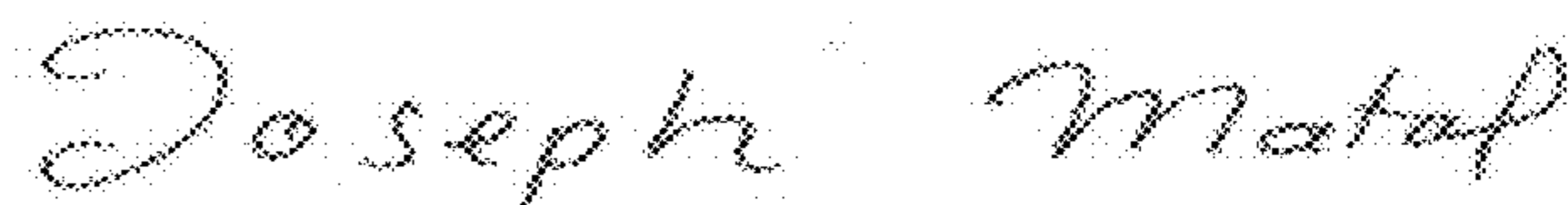
Page 1 of 1

It is certified that error appears in the above-identified patent and that said Letters Patent is hereby corrected as shown below:

On the Title Page

In Column 2, under Description, Lines 10 and 11, please delete “The broken lines in the Figures show portions of the electronic device that form no part of the claimed design.”

Signed and Sealed this  
Thirteenth Day of June, 2017



Joseph Matal  
*Performing the Functions and Duties of the  
Under Secretary of Commerce for Intellectual Property and  
Director of the United States Patent and Trademark Office*