

US00D759007S

(12) **United States Design Patent**
Yamamoto et al.

(10) **Patent No.:** **US D759,007 S**
(45) **Date of Patent:** **** Jun. 14, 2016**

(54) **KEYBOARD**

(71) Applicant: **SONY CORPORATION**, Tokyo (JP)
(72) Inventors: **Ryo Yamamoto**, Chiba (JP); **Yohei Fukuma**, Chiba (JP); **Yujin Morisawa**, Tokyo (JP); **Toru Karashima**, Kanagawa (JP)
(73) Assignee: **SONY CORPORATION**, Tokyo (JP)
(**) Term: **14 Years**
(21) Appl. No.: **29/496,400**
(22) Filed: **Jul. 11, 2014**
Related U.S. Application Data

(60) Continuation of application No. 29/426,879, filed on Jul. 11, 2012, which is a division of application No. 12/979,664, filed on Dec. 28, 2010, now Pat. No. 8,363,407, which is a division of application No. 12/240,229, filed on Sep. 29, 2008, now Pat. No. 8,081,438, which is a division of application No. 10/970,290, filed on Oct. 21, 2004, now Pat. No. 7,489,507.

(30) **Foreign Application Priority Data**

Oct. 23, 2003 (JP) 2003-363925

(51) **LOC (10) Cl.** **14-02**

(52) **U.S. Cl.**
USPC **D14/315**

(58) **Field of Classification Search**
USPC D14/315-327, 391-399, 455, 456;
D18/1, 2, 7, 11; 235/145 A, 145 R;
341/22, 23; 345/104, 156, 168, 169,
345/173; 361/679.08, 679.09, 679.11,
361/679.26, 679.27
CPC G06F 1/16; G06F 1/1616; G06F 1/1626;
G06F 1/1632; H01R 35/02; H01R 31/065;
H03M 11/00; G09B 13/04; H03K 17/94;
H02J 7/0042; H02J 7/00; H01M 10/44;
F16M 11/10

See application file for complete search history.

(56) **References Cited**

U.S. PATENT DOCUMENTS

4,415,025 A 11/1983 Horvath
4,864,523 A 9/1989 Sasaki
5,027,394 A 6/1991 Ono et al.
5,132,876 A 7/1992 Ma
5,237,488 A 8/1993 Moser et al.
5,243,549 A 9/1993 Oshiba
5,345,364 A 9/1994 Biernath
5,422,784 A 6/1995 Wakahara et al.
5,436,954 A 7/1995 Nishiyama et al.

(Continued)

FOREIGN PATENT DOCUMENTS

JP 5-33224 4/1993
JP 2000-267759 9/2000

(Continued)

Primary Examiner — Freda S Nunn

(74) *Attorney, Agent, or Firm* — Oblon, McClelland, Maier & Neustadt, L.L.P.

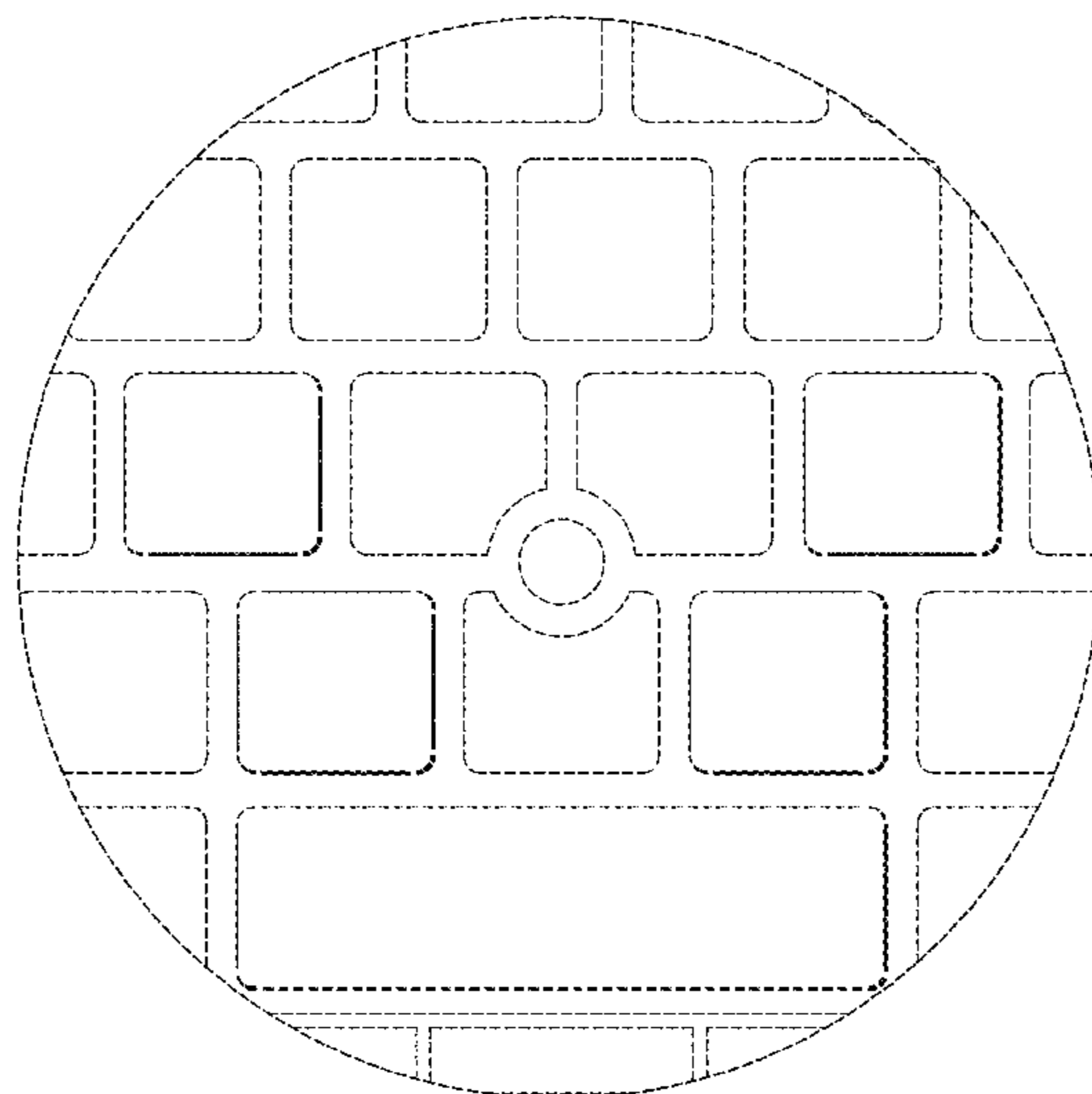
(57) **CLAIM**

The ornamental design for a keyboard, as shown and described.

DESCRIPTION

FIG. 1 is a top view of a keyboard;
FIG. 2 is a top and left perspective view thereof;
FIG. 3 is a top and right perspective view thereof; and,
FIG. 4 is a magnified view of portion 4 of FIG. 1.
Any broken lines shown are included for the purpose of illustrating unclaimed portions and form no part of the claim.

1 Claim, 4 Drawing Sheets



(56)

References Cited

U.S. PATENT DOCUMENTS

5,455,746 A 10/1995 Sato et al.
 5,491,507 A 2/1996 Umezawa et al.
 5,504,648 A 4/1996 Honda et al.
 5,526,227 A 6/1996 Satou et al.
 5,544,007 A 8/1996 Inoue
 5,552,967 A 9/1996 Seto et al.
 5,568,987 A 10/1996 Franz
 5,592,362 A 1/1997 Ohgami et al.
 5,636,462 A 6/1997 Kleiman
 5,691,880 A 11/1997 Seto et al.
 5,701,142 A 12/1997 Brown et al.
 5,719,799 A 2/1998 Isashi
 5,742,912 A 4/1998 Nishiyama et al.
 5,751,544 A 5/1998 Song
 5,754,401 A 5/1998 Saneinejad et al.
 5,796,579 A 8/1998 Nakajima et al.
 5,805,125 A 9/1998 Suganuma et al.
 5,870,082 A 2/1999 Selker et al.
 5,870,621 A 2/1999 Walsh et al.
 5,897,382 A 4/1999 Takahashi
 5,898,600 A 4/1999 Isashi
 5,914,853 A 6/1999 Motoe et al.
 5,982,884 A 11/1999 Hoffmann
 6,044,473 A 3/2000 Kim
 6,069,648 A 5/2000 Suso et al.
 6,078,496 A 6/2000 Oguchi et al.
 6,091,600 A 7/2000 Jeong
 6,101,088 A 8/2000 Nakajima et al.
 6,122,166 A 9/2000 Mochizuki et al.
 6,125,029 A 9/2000 Sasaki et al.
 6,172,867 B1 1/2001 Satou et al.
 6,201,696 B1 3/2001 Shimizu et al.
 6,211,566 B1 4/2001 Bollesen
 6,219,257 B1 4/2001 Arnold
 D442,177 S 5/2001 Chang et al.
 D443,876 S 6/2001 Komufa et al.
 6,280,258 B1 8/2001 Frohlund
 6,310,768 B1 10/2001 Kung et al.
 6,385,041 B1 5/2002 Choi
 6,396,683 B1 5/2002 Wang et al.
 6,396,924 B1 5/2002 Suso et al.
 6,459,887 B2 10/2002 Okuda
 6,488,517 B1 12/2002 Williams et al.
 6,498,733 B2 12/2002 Murasawa
 6,512,670 B1 1/2003 Boehme et al.
 6,547,575 B2 4/2003 Kato et al.
 D476,013 S 6/2003 Tabasso et al.
 6,628,506 B2 9/2003 Landry et al.
 6,642,462 B2 11/2003 Ninomiya et al.
 6,658,275 B1 12/2003 Hantunen et al.
 6,694,569 B2 2/2004 Chien et al.
 6,700,773 B1 3/2004 Adriaansen et al.
 6,708,400 B2 3/2004 Kintis et al.
 6,768,637 B1 7/2004 Amemiya
 6,788,527 B2 9/2004 Doczy et al.
 6,879,337 B2 4/2005 Tatehana et al.
 6,882,726 B2 4/2005 Kim

6,886,221 B2 5/2005 Minami et al.
 6,917,824 B2 7/2005 Kobayashi
 6,933,981 B1 8/2005 Kishida et al.
 6,947,278 B2 9/2005 Agata et al.
 6,952,860 B2 10/2005 Kawamoto
 6,965,071 B2 11/2005 Watchko et al.
 7,015,898 B2 3/2006 Wang
 7,019,976 B1 3/2006 Ahmad et al.
 7,084,919 B2 8/2006 Shibata et al.
 7,085,995 B2 8/2006 Fukuda et al.
 7,277,275 B2 10/2007 Won et al.
 7,583,317 B2 9/2009 Kinemura et al.
 D612,843 S 3/2010 Andre et al.
 D612,844 S 3/2010 Andre et al.
 D616,886 S 6/2010 Andre et al.
 D626,555 S 11/2010 Huang
 D640,695 S 6/2011 Andre et al.
 D670,697 S 11/2012 Brown
 8,562,437 B2* 10/2013 Matsuda G06F 3/0219
 345/161
 2001/0005454 A1 6/2001 Nishino et al.
 2001/0010622 A1 8/2001 Kamimaki et al.
 2001/0019477 A1 9/2001 Murasawa
 2001/0055195 A1 12/2001 Suzuki
 2002/0006222 A1 1/2002 Inagaki et al.
 2002/0036887 A1 3/2002 Horii et al.
 2002/0041483 A1 4/2002 Horii et al.
 2002/0044434 A1 4/2002 Takagi
 2002/0058435 A1 5/2002 Williams et al.
 2002/0071040 A1 6/2002 Agata et al.
 2002/0085338 A1 7/2002 Lin
 2002/0088605 A1 7/2002 Malhammar
 2002/0172002 A1 11/2002 Sasaki et al.
 2002/0173281 A1 11/2002 Kobayashi
 2002/0195228 A1 12/2002 Corti et al.
 2003/0011972 A1 1/2003 Koo
 2003/0053304 A1 3/2003 Takagi
 2003/0103334 A1 6/2003 Yun
 2003/0129010 A1 7/2003 Tsai
 2003/0210225 A1 11/2003 Miyashita et al.
 2004/0002241 A1 1/2004 Lee
 2004/0042168 A1 3/2004 Yang et al.
 2004/0061997 A1 4/2004 Skinner
 2004/0074045 A1 4/2004 Winstead et al.
 2004/0130658 A1 7/2004 Yamaguchi et al.
 2004/0171405 A1 9/2004 Amano et al.
 2004/0246667 A1 12/2004 Maskatia et al.
 2004/0246668 A1 12/2004 Maskatia et al.
 2005/0017350 A1 1/2005 Corti et al.
 2005/0041381 A1 2/2005 Maskatia et al.
 2005/0146844 A1 7/2005 Hussaini et al.
 2006/0080805 A1 4/2006 Takagi
 2011/0304552 A1 12/2011 Zhao et al.

FOREIGN PATENT DOCUMENTS

JP 2001-84060 3/2001
 JP 2003-295973 10/2003

* cited by examiner

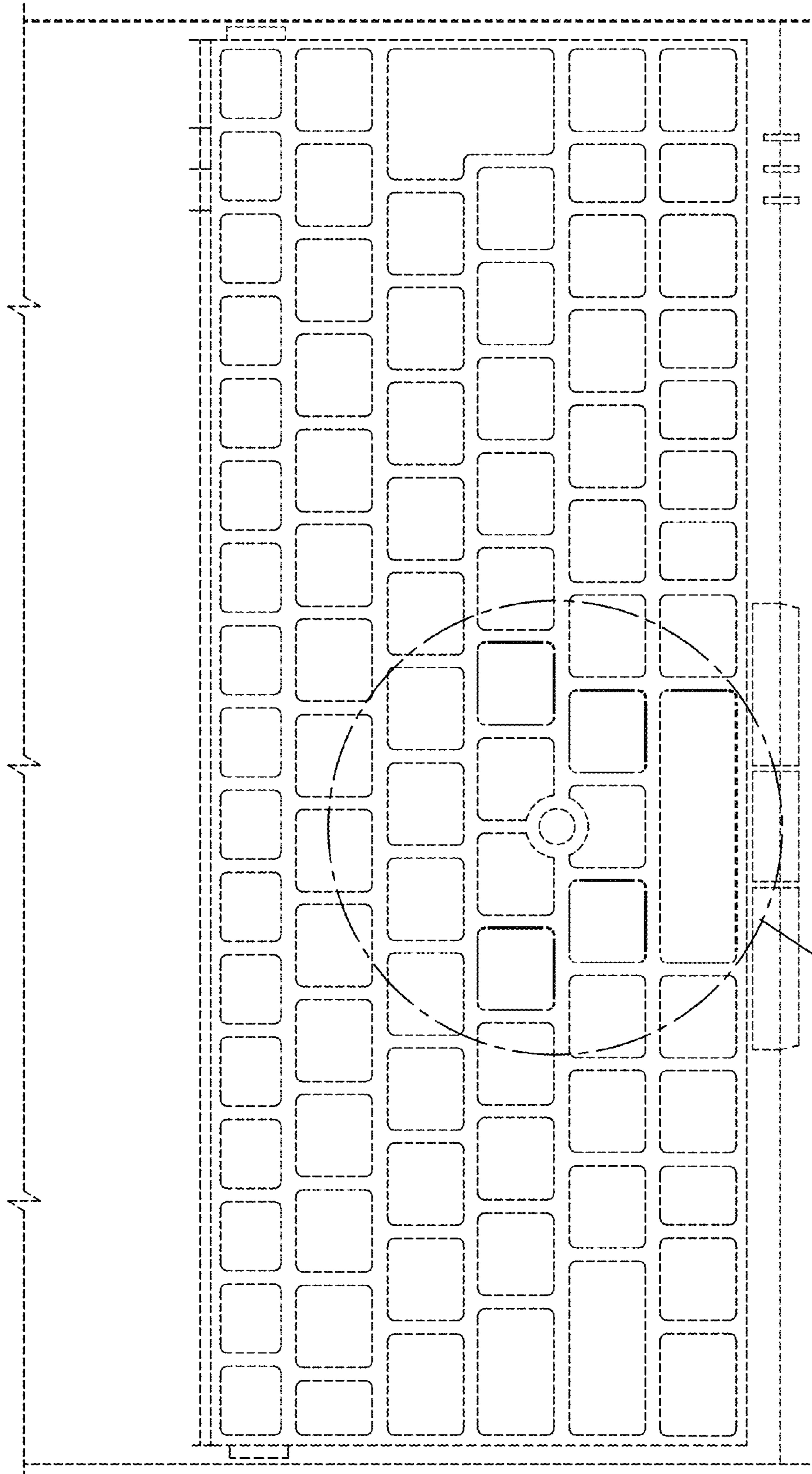


Fig. 1

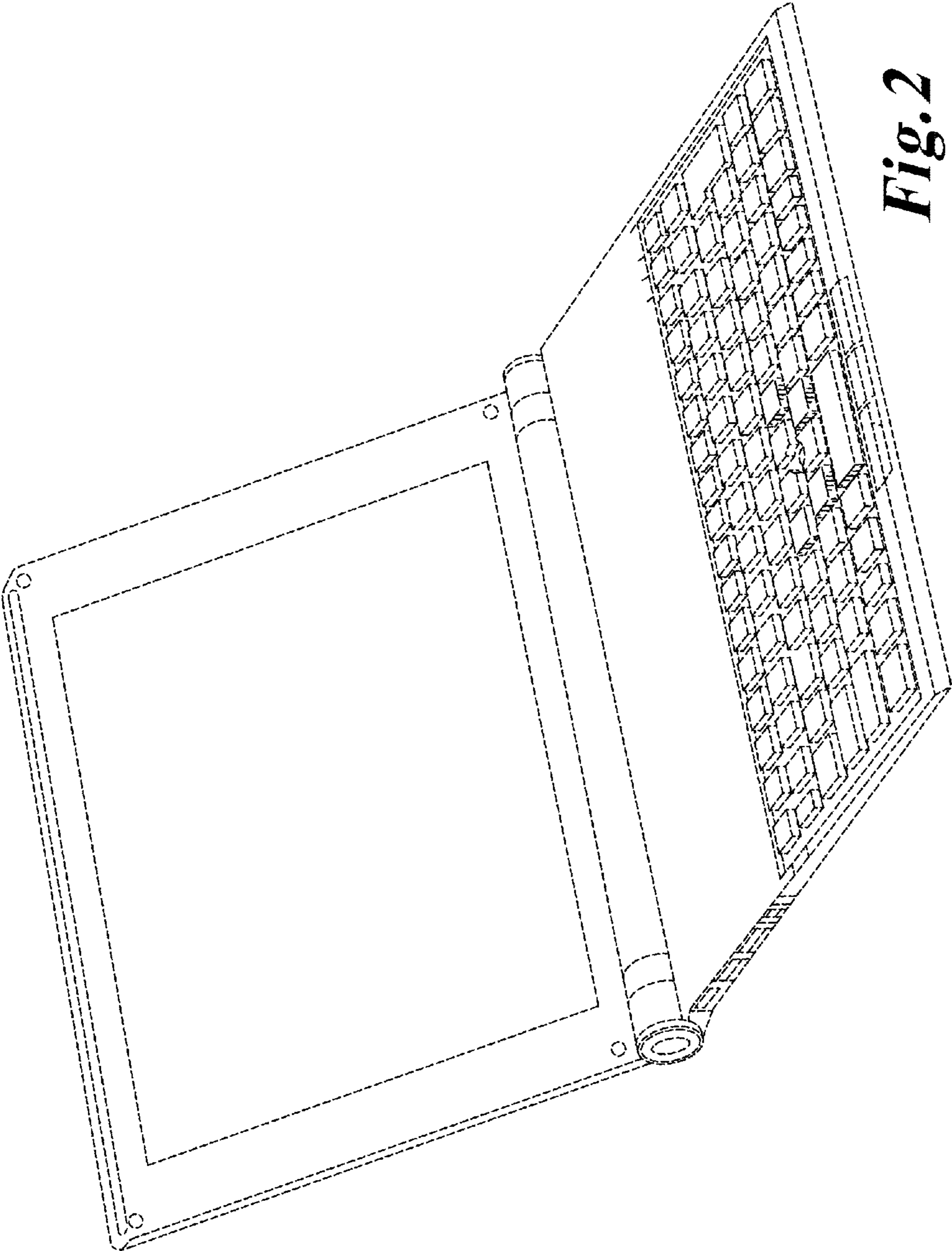


Fig. 2

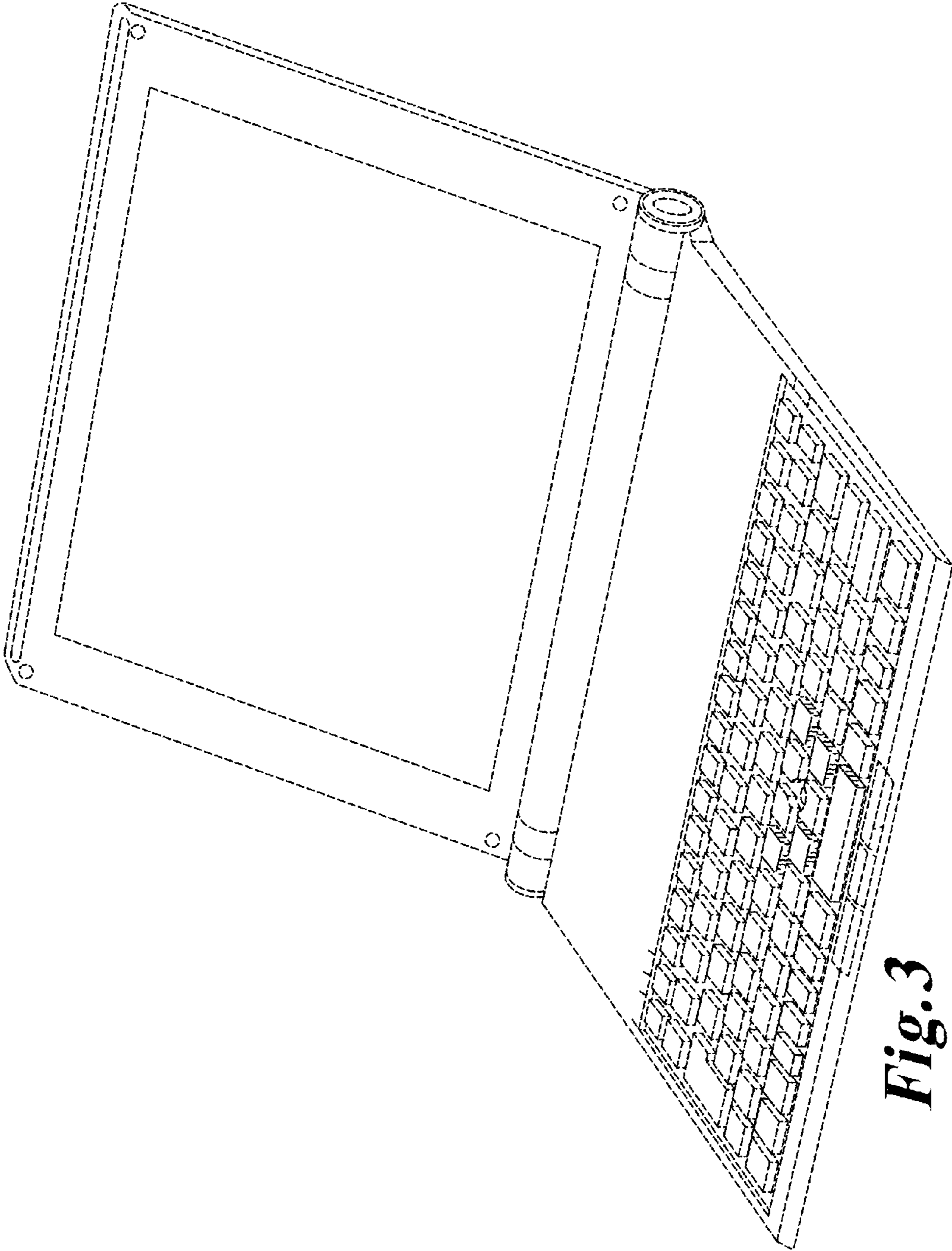


Fig. 3

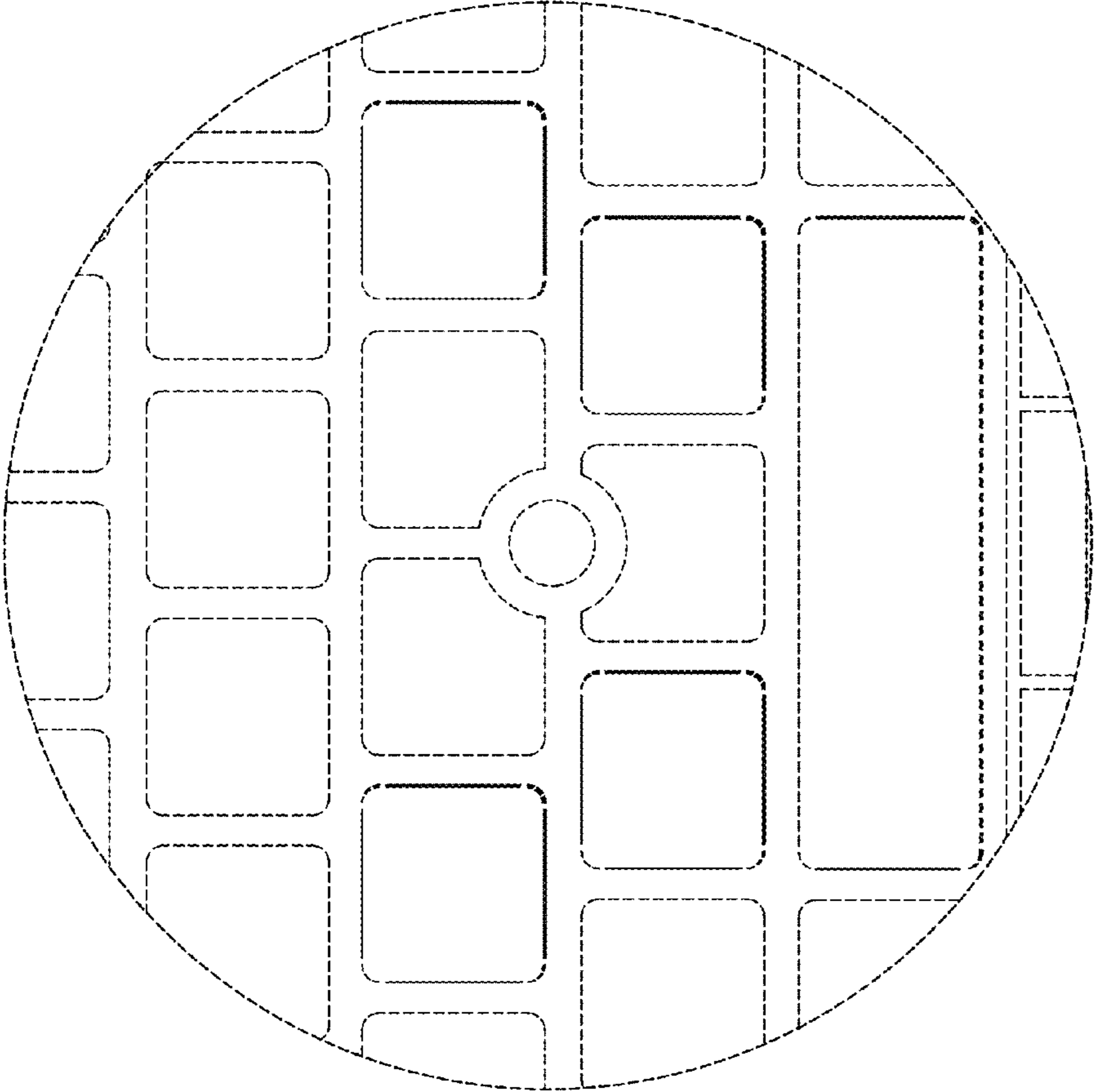


Fig. 4