



US00D759005S

(12) **United States Design Patent**
Murakami

(10) **Patent No.:** **US D759,005 S**
(45) **Date of Patent:** **** Jun. 14, 2016**

- (54) **CELLULAR PHONE HOLDER**
- (71) Applicant: **Kenji Murakami**, Fukuoka (JP)
- (72) Inventor: **Kenji Murakami**, Fukuoka (JP)
- (**) Term: **14 Years**
- (21) Appl. No.: **29/508,707**
- (22) Filed: **Nov. 10, 2014**
- (51) **LOC (10) Cl.** **14-03**
- (52) **U.S. Cl.**
USPC **D14/251**
- (58) **Field of Classification Search**
USPC D8/349, 354, 355, 373; D14/188,
D14/203.8, 204, 209, 209.1, 217, 238.1,
D14/251, 252, 375, 433, 451, 452;
248/121-127, 205.1, 207, 229.1,
248/346.03, 346.06, 424, 469, 472, 489,
248/495, 560, 674, 676
See application file for complete search history.

RE44,740 E * 2/2014 Ciungan D14/452
D722,305 S * 2/2015 Lee D14/217
9,038,971 B1 * 5/2015 Guthrie F16M 13/022
248/121

FOREIGN PATENT DOCUMENTS

JP 1208269 S 6/2004
JP 1512117 S 10/2014

* cited by examiner

Primary Examiner — Susan Bennett Hattan

Assistant Examiner — Leanne Was

(74) *Attorney, Agent, or Firm* — Amster, Rothstein & Ebenstein, LLP

(57) **CLAIM**

The ornamental design for a cellular phone holder, as shown and described.

DESCRIPTION

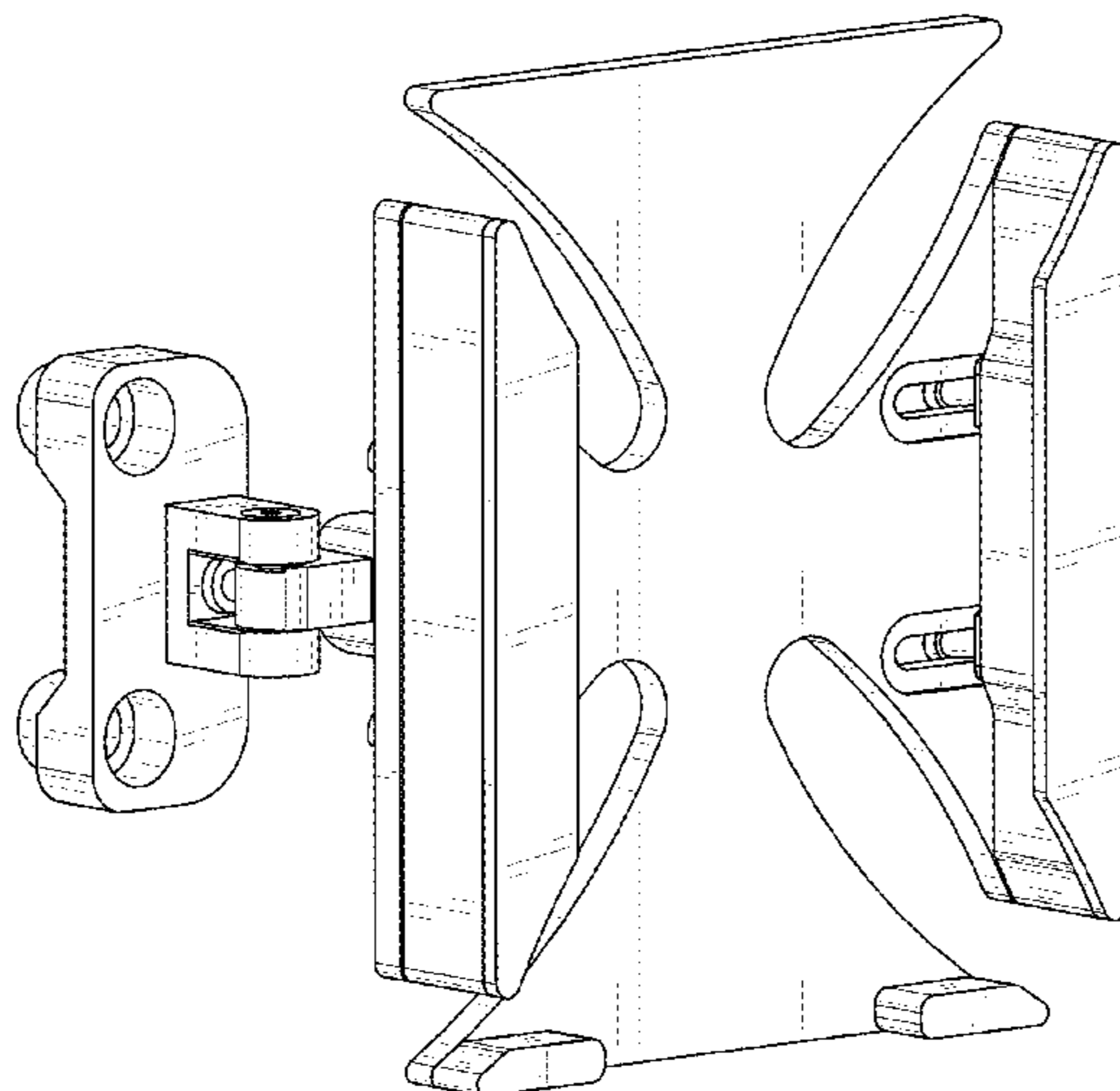
FIG. 1 is a perspective view of a cellular phone holder showing my new design;
FIG. 2 is an exploded view of the cellular phone holder of FIG. 1;
FIG. 3 is a front view of the cellular phone holder of FIG. 1;
FIG. 4 is a left side view of the cellular phone holder of FIG. 1;
FIG. 5 is a right side view of the cellular phone holder of FIG. 1;
FIG. 6 is a top plan view of the cellular phone holder of FIG. 1;
FIG. 7 is a bottom plan view of the cellular phone holder of FIG. 1;
FIG. 8 is a rear view of the cellular phone holder of FIG. 1;
FIG. 9 is a perspective view of a cellular phone holder showing an alternate configuration of my design;
FIG. 10 is a perspective view of a cellular phone holder showing another alternate configuration of my design; and,
FIG. 11 is a perspective view of a cellular phone holder showing another alternate configuration of my design.

(56) **References Cited**

U.S. PATENT DOCUMENTS

D536,603 S * 2/2007 Worrall D8/363
D537,706 S * 3/2007 Ly Hau D8/363
D538,633 S * 3/2007 Ly Hau D8/363
D539,123 S * 3/2007 Ly Hau D8/363
D557,126 S * 12/2007 Worrall D14/452
D564,220 S * 3/2008 Dixon D3/218
D585,432 S * 1/2009 Baker D14/223
D611,221 S * 3/2010 Parks D99/5
D623,600 S * 9/2010 Baker D13/133
D623,634 S * 9/2010 Molter D14/239
D637,593 S * 5/2011 Zanetti D14/253
D638,023 S * 5/2011 Skull D14/452
D641,610 S * 7/2011 Sedalo D8/354
D669,481 S * 10/2012 Prescott D14/447
D686,629 S * 7/2013 Trinh D14/447
D689,502 S 9/2013 Belitz et al.

1 Claim, 11 Drawing Sheets



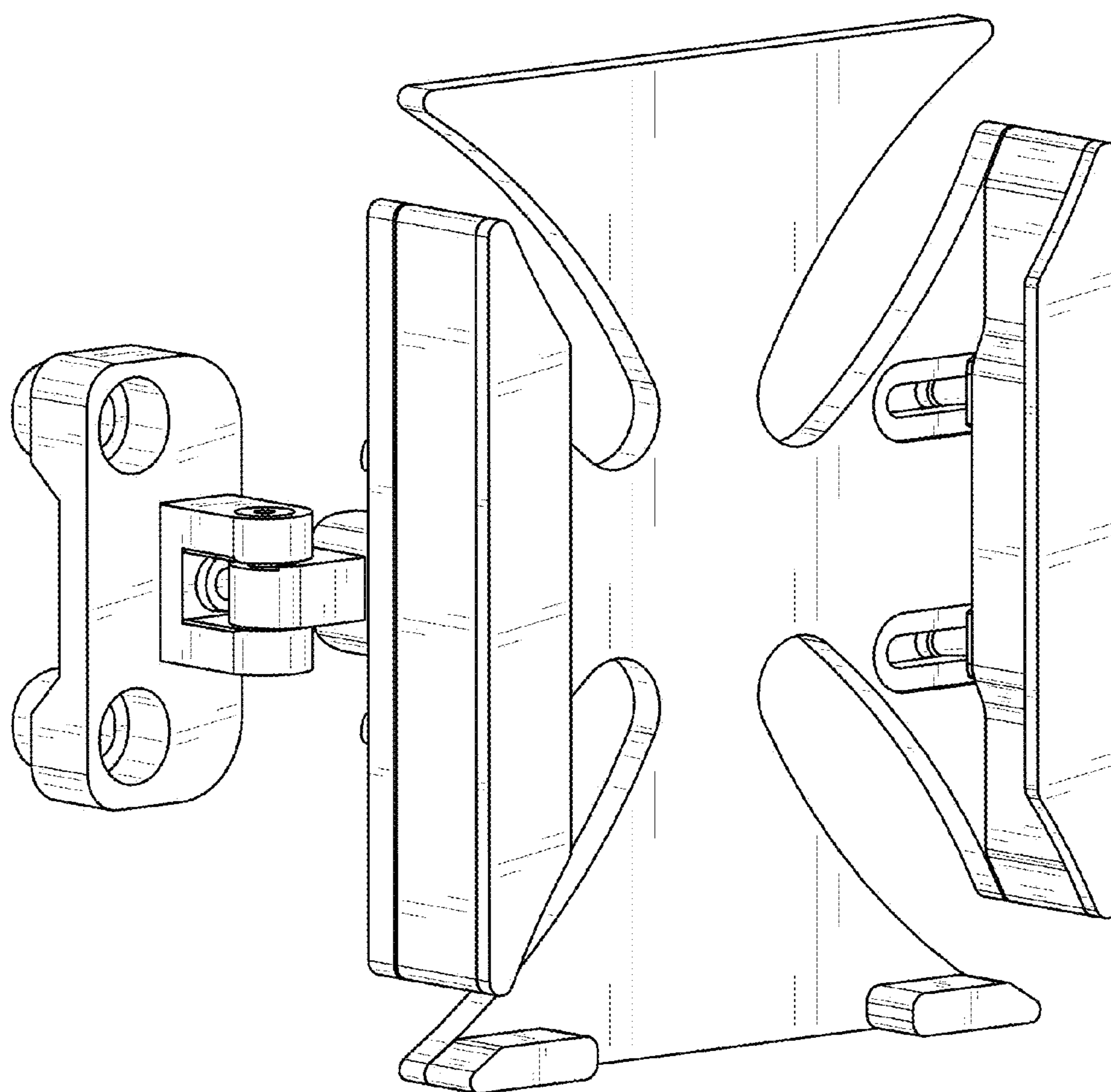


FIG. 1

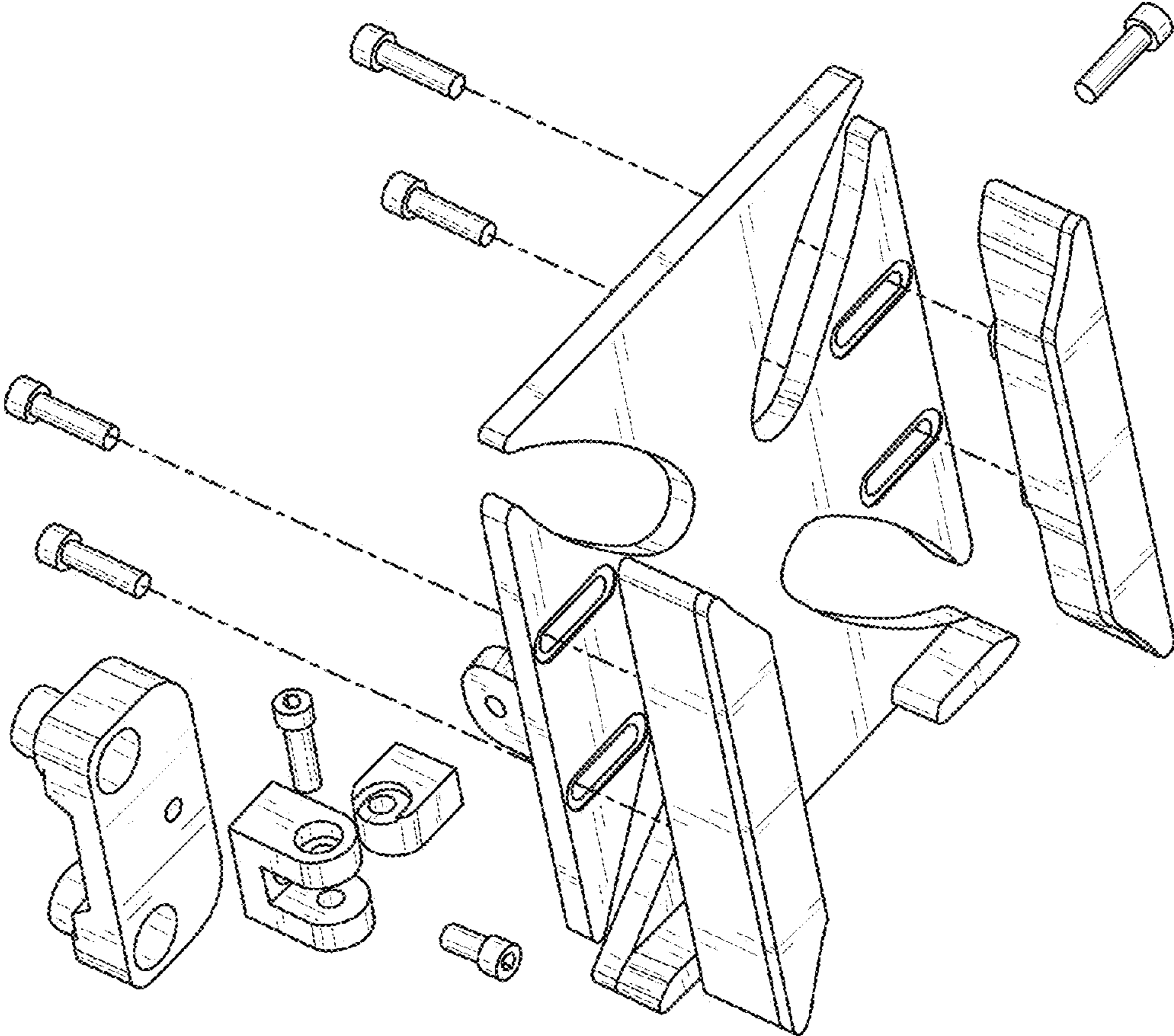


FIG. 2

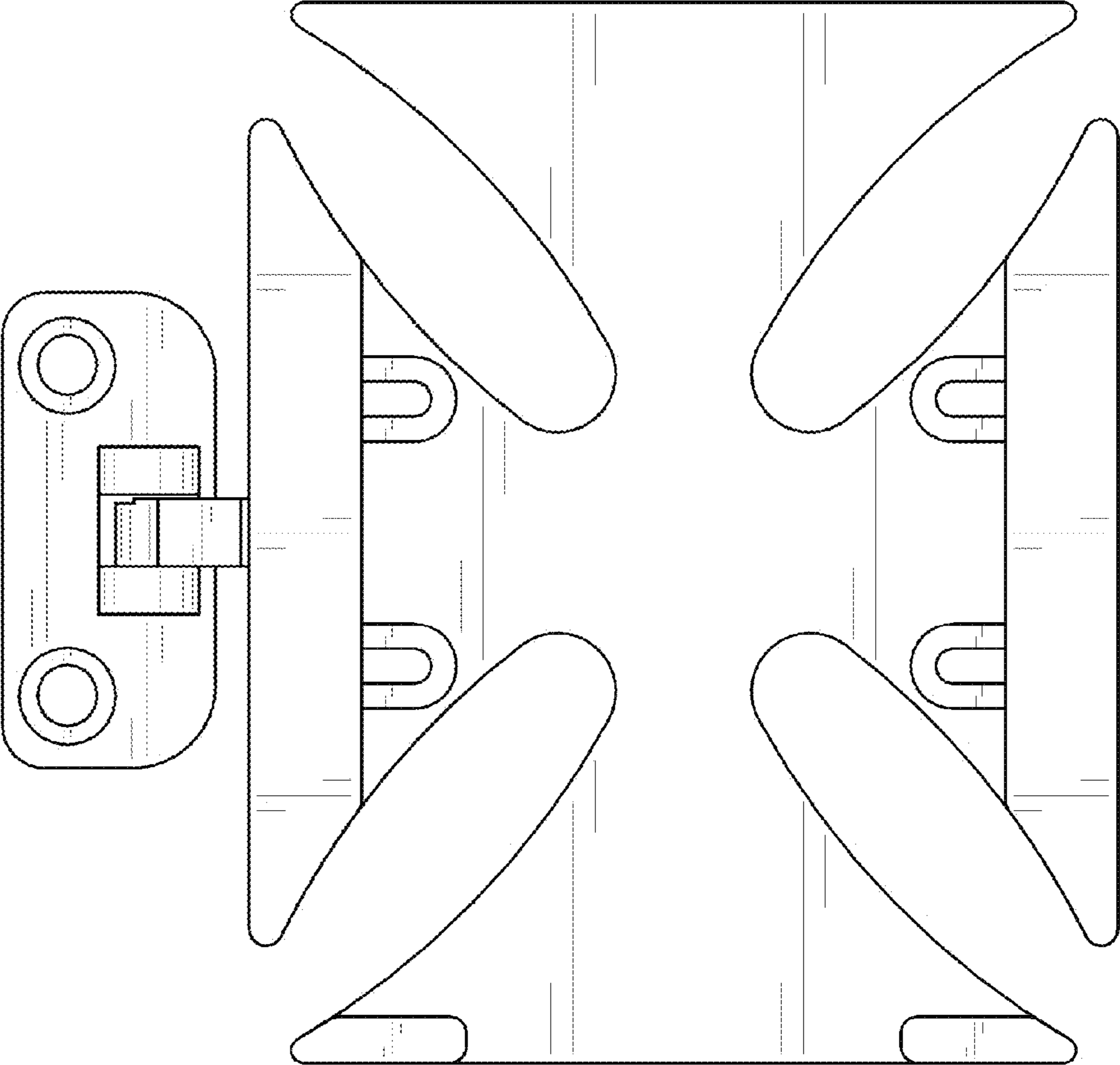


FIG. 3

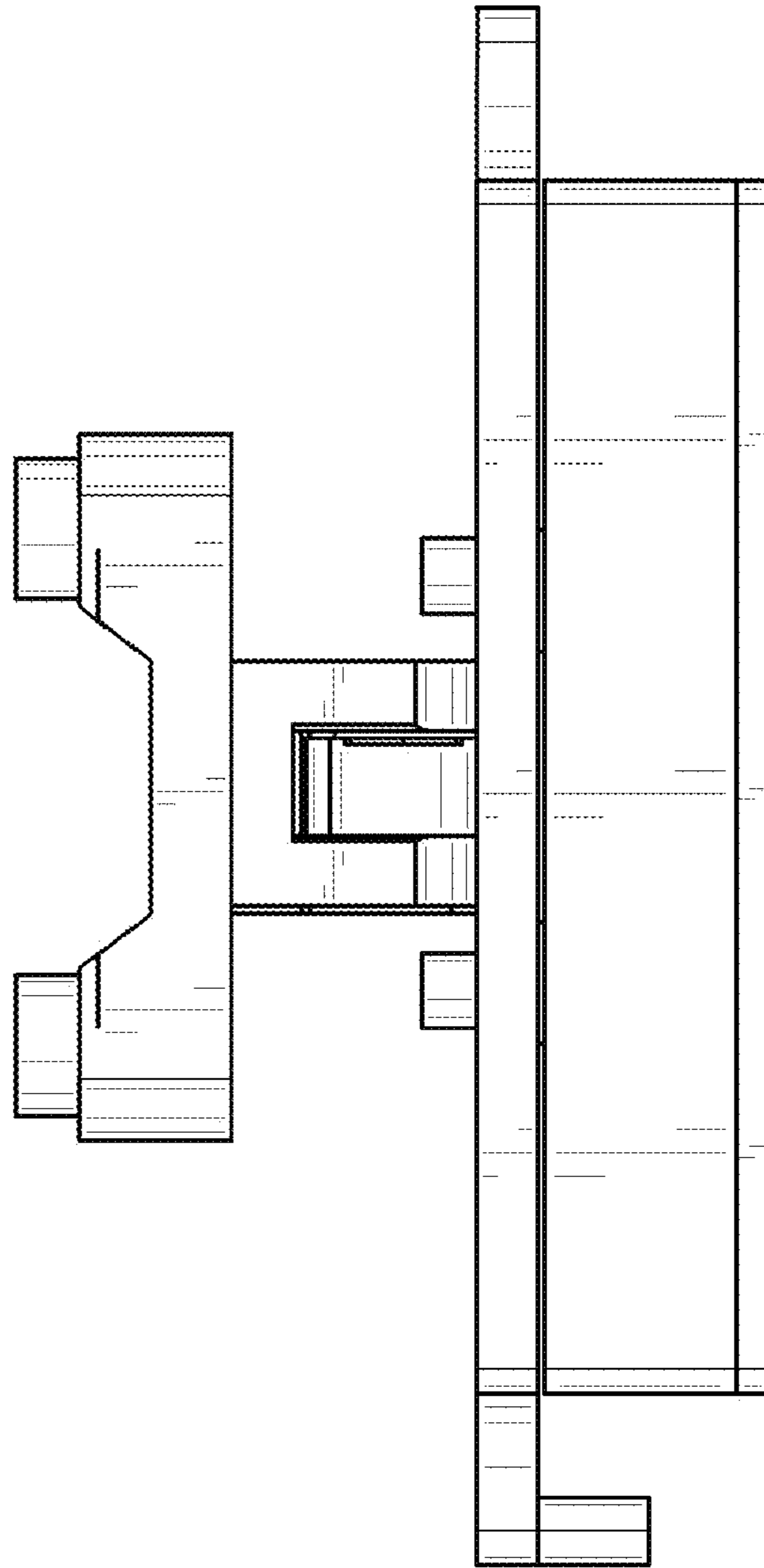


FIG. 4

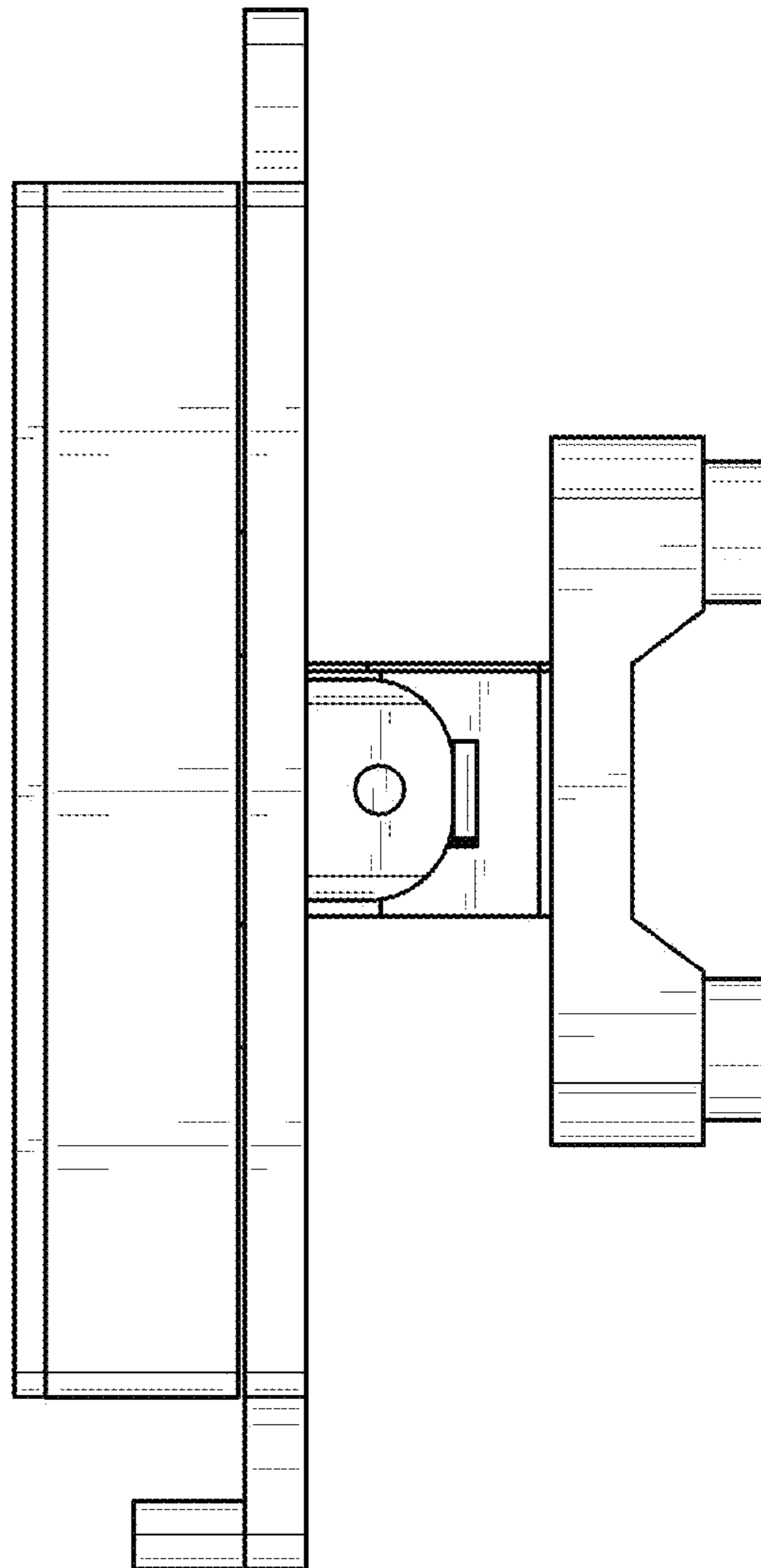


FIG. 5

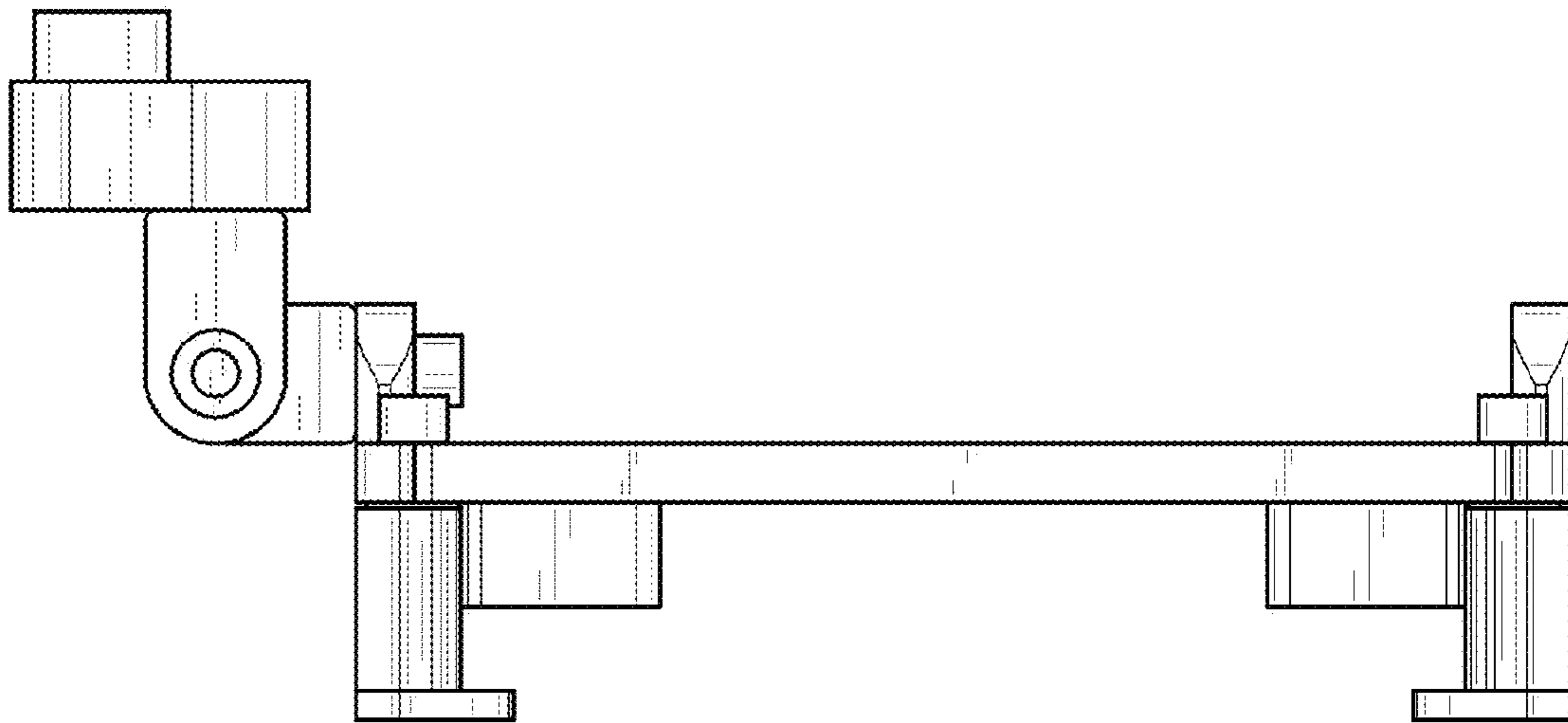


FIG. 6

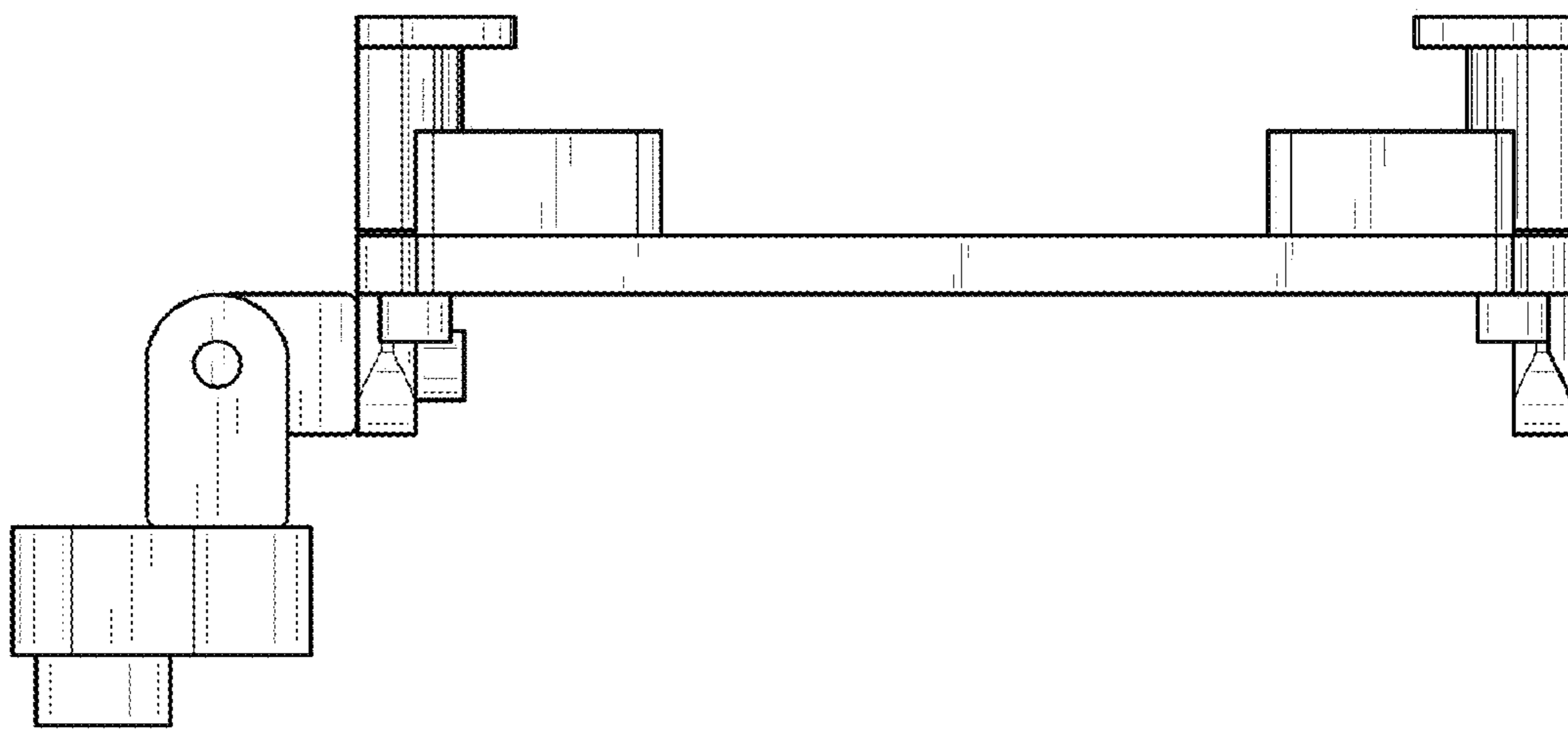


FIG. 7

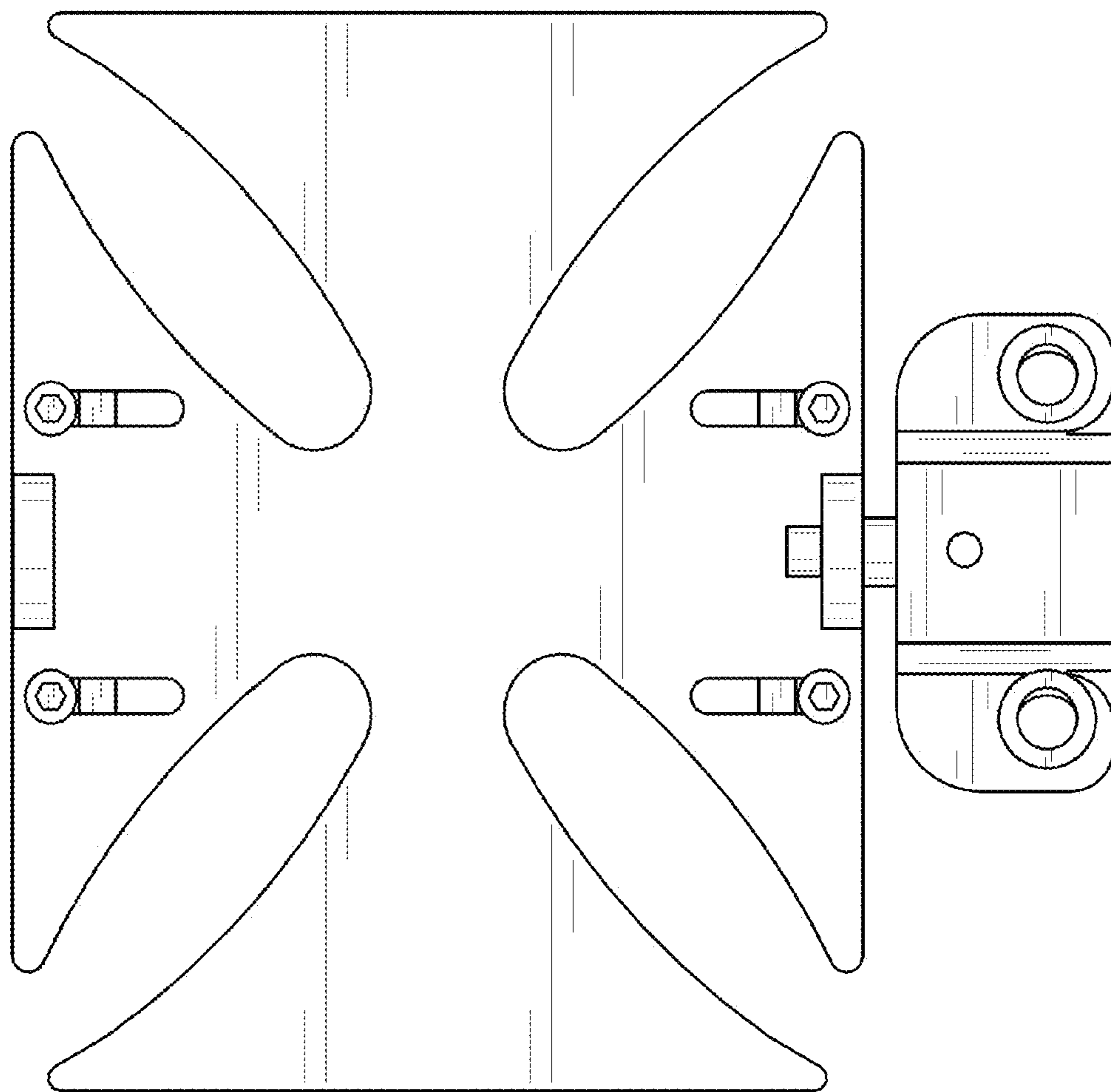


FIG. 8

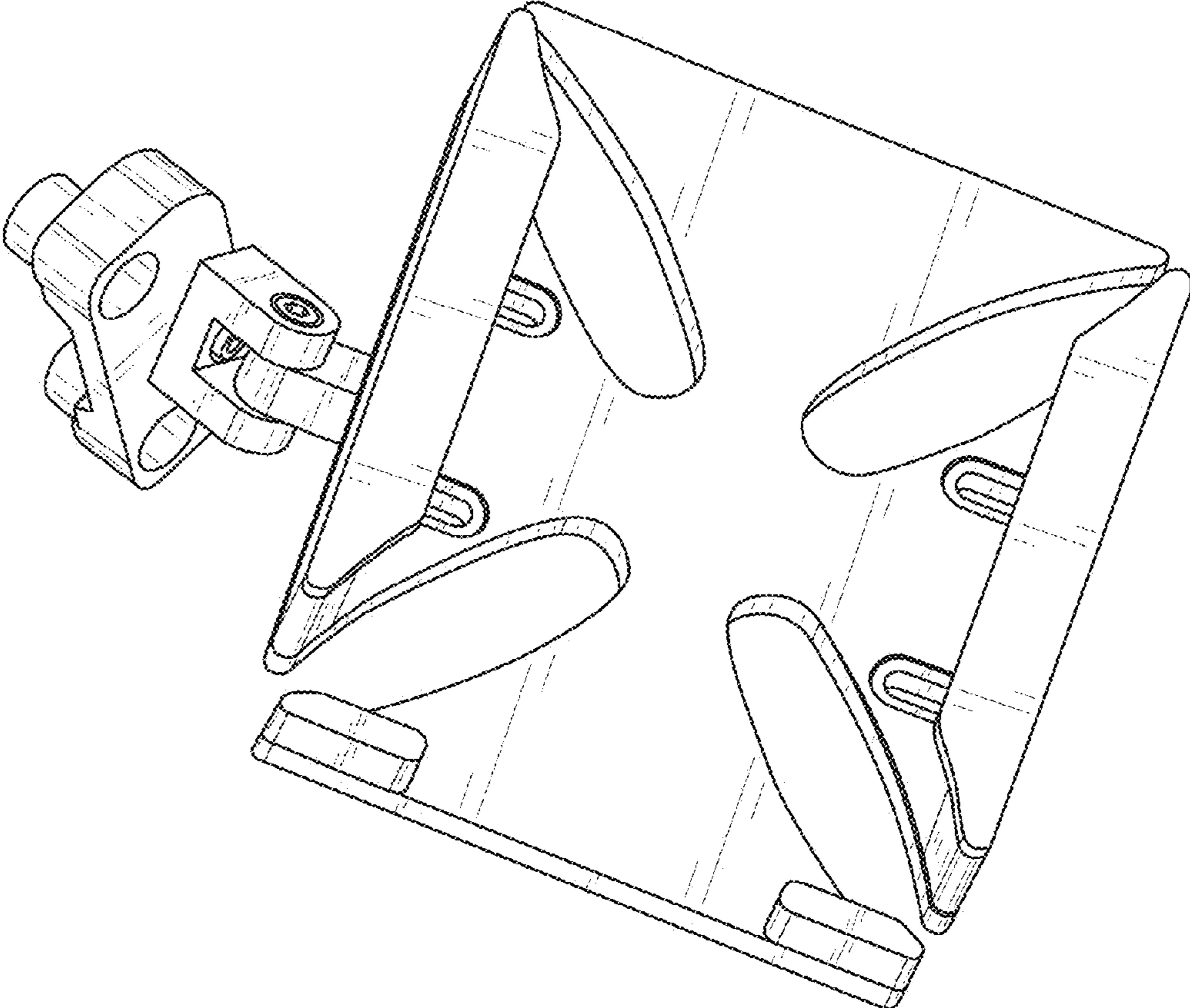


FIG. 9

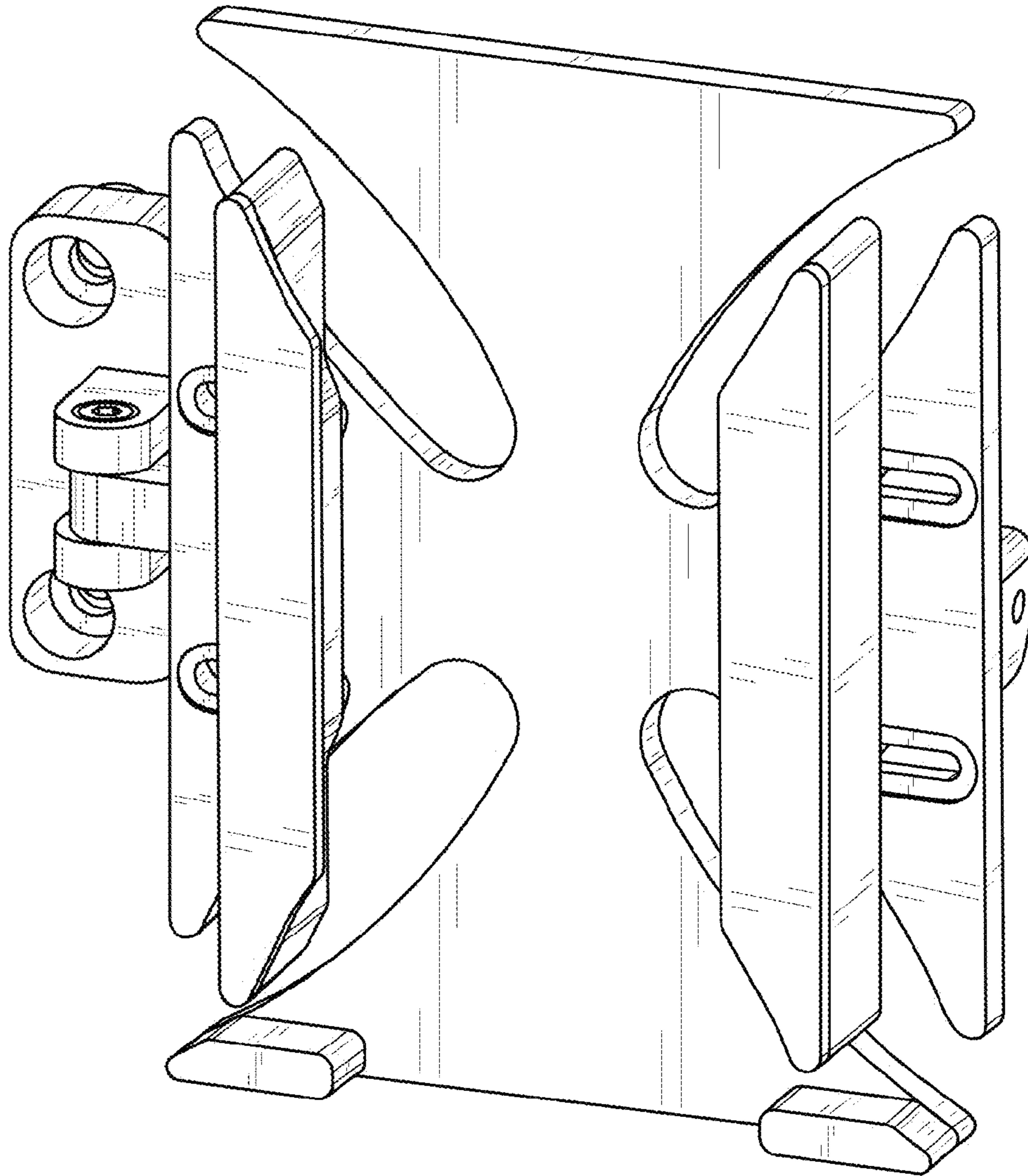


FIG. 10

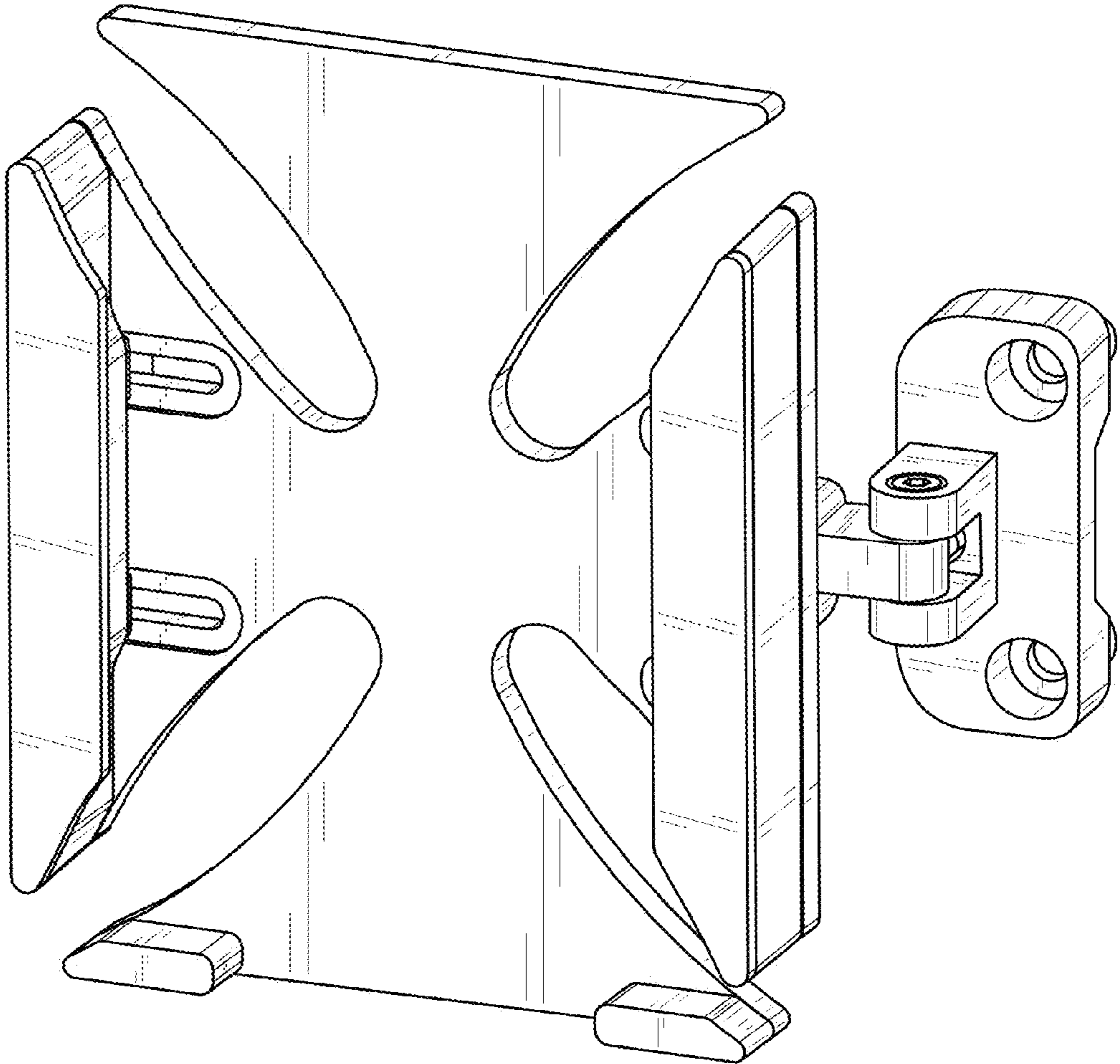


FIG. 11