

US00D759003S

(12) **United States Design Patent**
Daniel

(10) **Patent No.:** **US D759,003 S**
(45) **Date of Patent:** **** Jun. 14, 2016**

(54) **APPARATUS FOR AUTHENTICATING A USER TO RECEIVE WIRELESS NETWORK SERVICES ON A MOBILE COMMUNICATION DEVICE WITH BIOMETRIC VERIFICATION MEANS**

D618,226 S * 6/2010 Tong D13/133
D618,240 S * 6/2010 Larmour D14/230
D631,883 S * 2/2011 Maier D14/435.1
D672,780 S * 12/2012 Chen D13/147
D688,651 S 8/2013 Daniel
D707,688 S * 6/2014 Wu D14/480.1

(71) Applicant: **Isaac S. Daniel**, Miramar, FL (US)

* cited by examiner

(72) Inventor: **Isaac S. Daniel**, Miramar, FL (US)

Primary Examiner — Bridget L Eland

(**) Term: **14 Years**

(74) *Attorney, Agent, or Firm* — Carol N. Green Kaul, Esq.

(21) Appl. No.: **29/502,623**

(22) Filed: **Sep. 18, 2014**

(51) **LOC (10) Cl.** **14-03**

(52) **U.S. Cl.**
USPC **D14/240; D14/435.1**

(58) **Field of Classification Search**
USPC D14/242, 240, 435.1, 357, 358,
D14/140–140.9, 155, 137, 139, 243, 348,
D14/349, 351, 354, 355, 138 AD
CPC H04L 12/00; H03K 17/00; H04W 88/00;
H04W 88/005; H04W 88/02; H04W 88/08;
H04W 88/085; H04W 88/10; H04W 88/12;
H04W 88/14; H04B 1/38
See application file for complete search history.

(57) **CLAIM**

The ornamental design for an apparatus for authenticating a user to receive wireless network services on a mobile communication device with biometric verification means, as shown and described.

DESCRIPTION

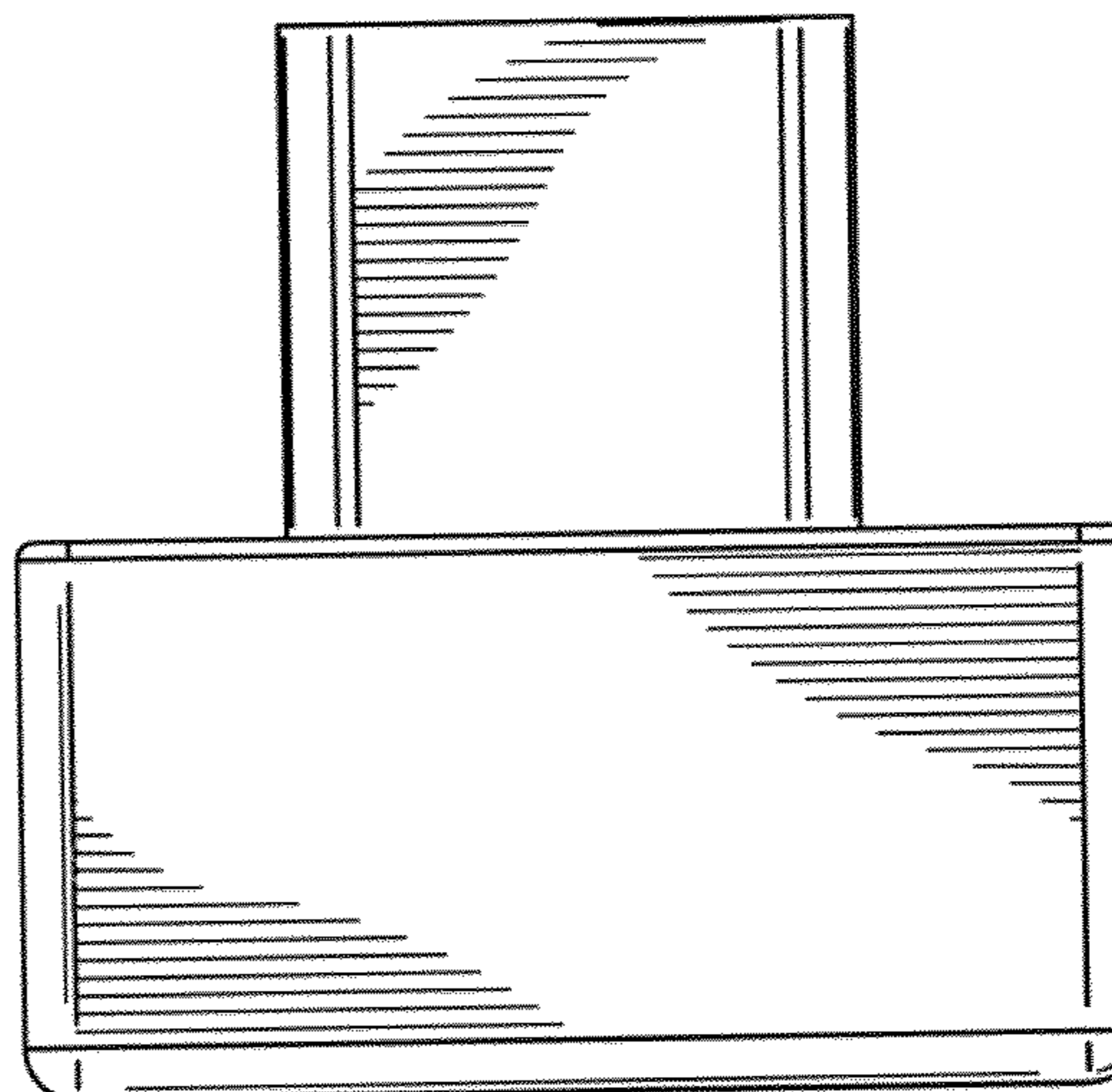
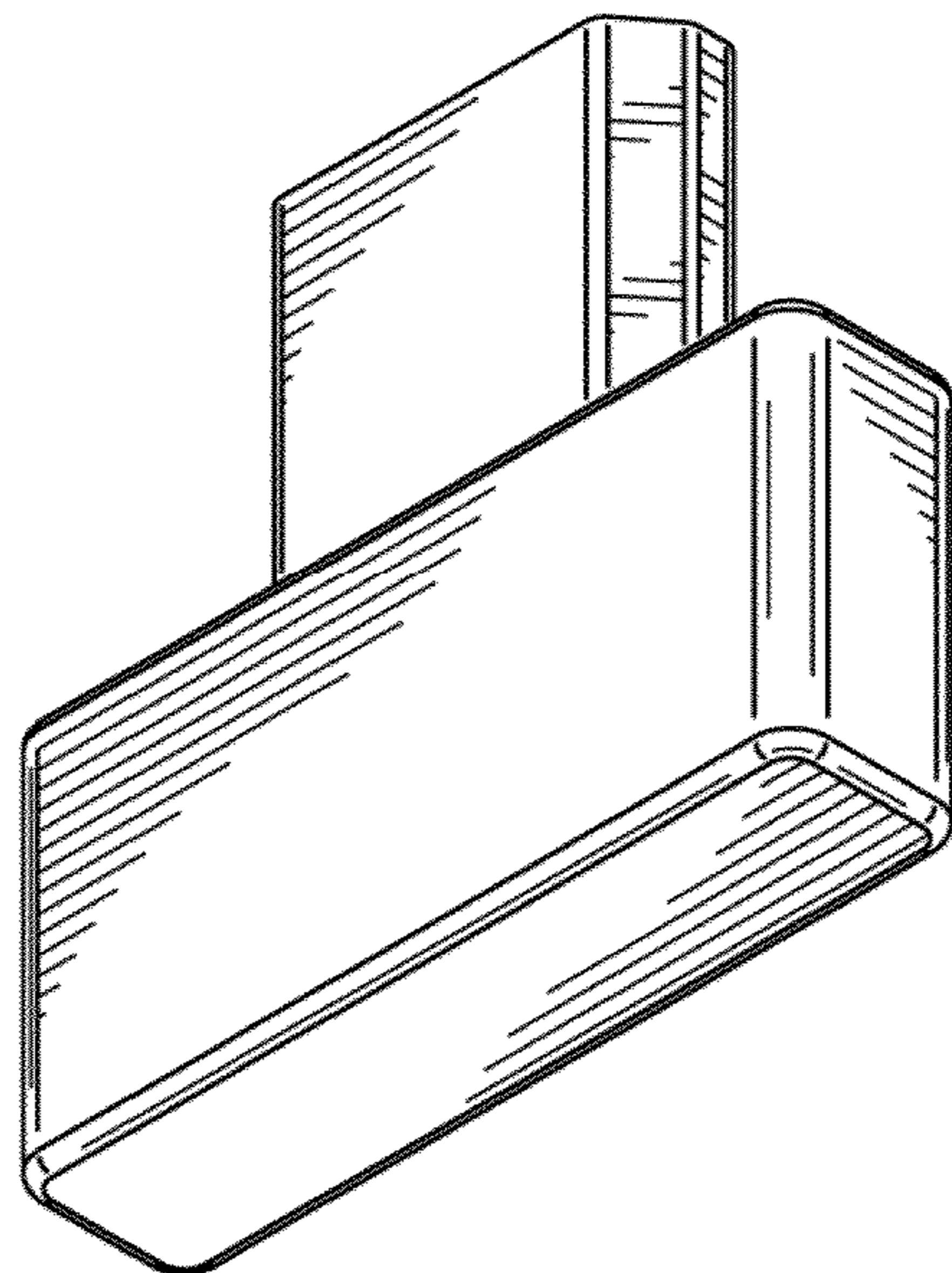
FIG. 1 is a top front perspective view of the apparatus for authenticating a user to receive wireless network services on a mobile communication device with biometric verification means, showing my new design;
FIG. 2 is a bottom perspective view thereof;
FIG. 3 is a front view thereof;
FIG. 4 is a rear view thereof;
FIG. 5 is a top plan view thereof;
FIG. 6 is a bottom plan view thereof;
FIG. 7 is a side view thereof; and,
FIG. 8 is a perspective view thereof in use.
The broken lines shown in the views are included for the purpose of illustrating portions of the apparatus for authenticating a user to receive wireless network services on a mobile communication device with biometric verification means that form no part of the claimed design.

(56) **References Cited**

U.S. PATENT DOCUMENTS

D498,759 S * 11/2004 Lewis D14/242
D536,695 S * 2/2007 Griffin D14/230
D545,809 S * 7/2007 Griffin D14/155
D550,196 S * 9/2007 Griffin D14/155
D569,848 S * 5/2008 Suzuki D14/188
D618,224 S * 6/2010 Tong D13/133
D618,225 S * 6/2010 Tong D13/133

1 Claim, 4 Drawing Sheets



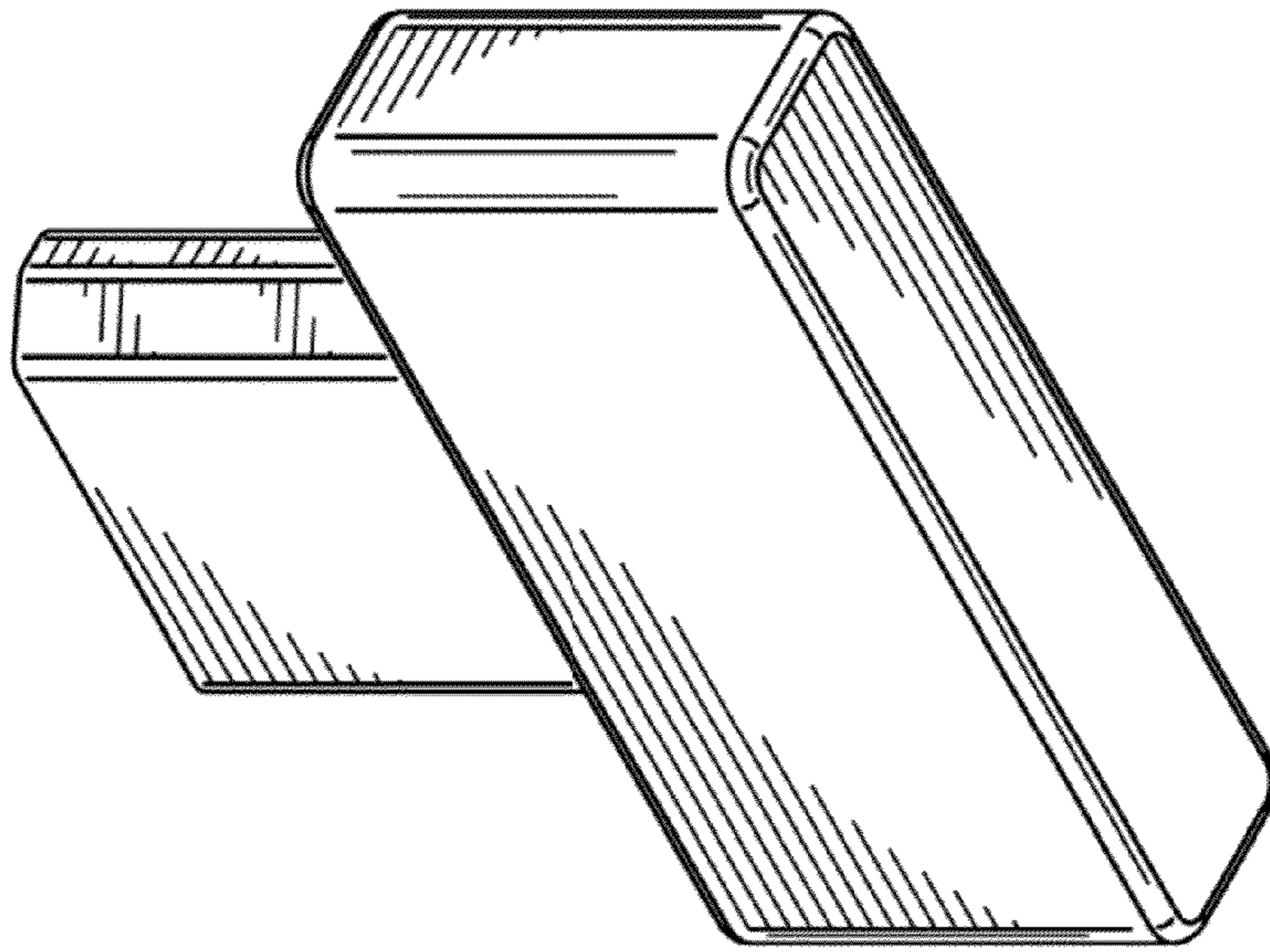


FIG. 2

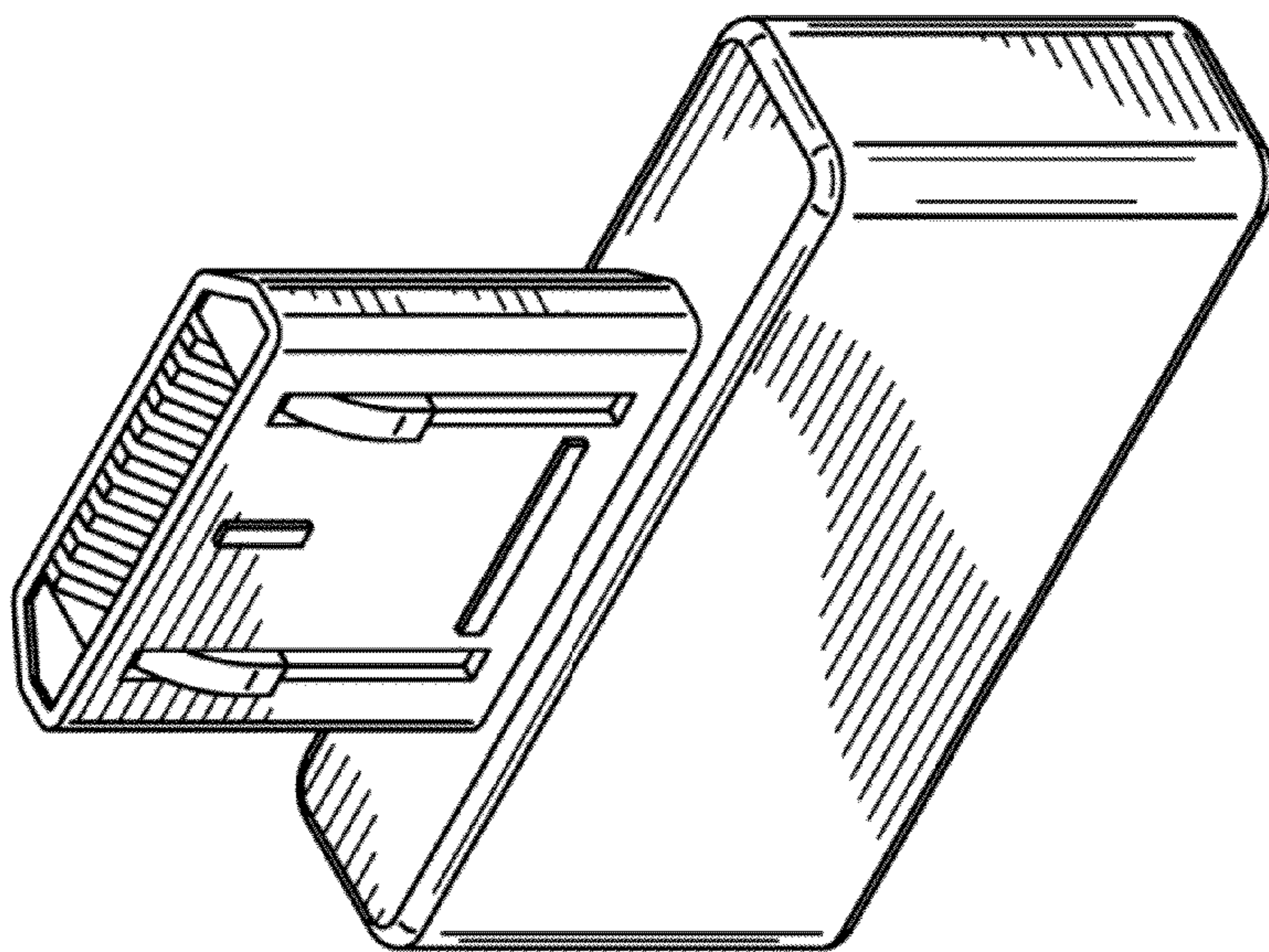


FIG. 1

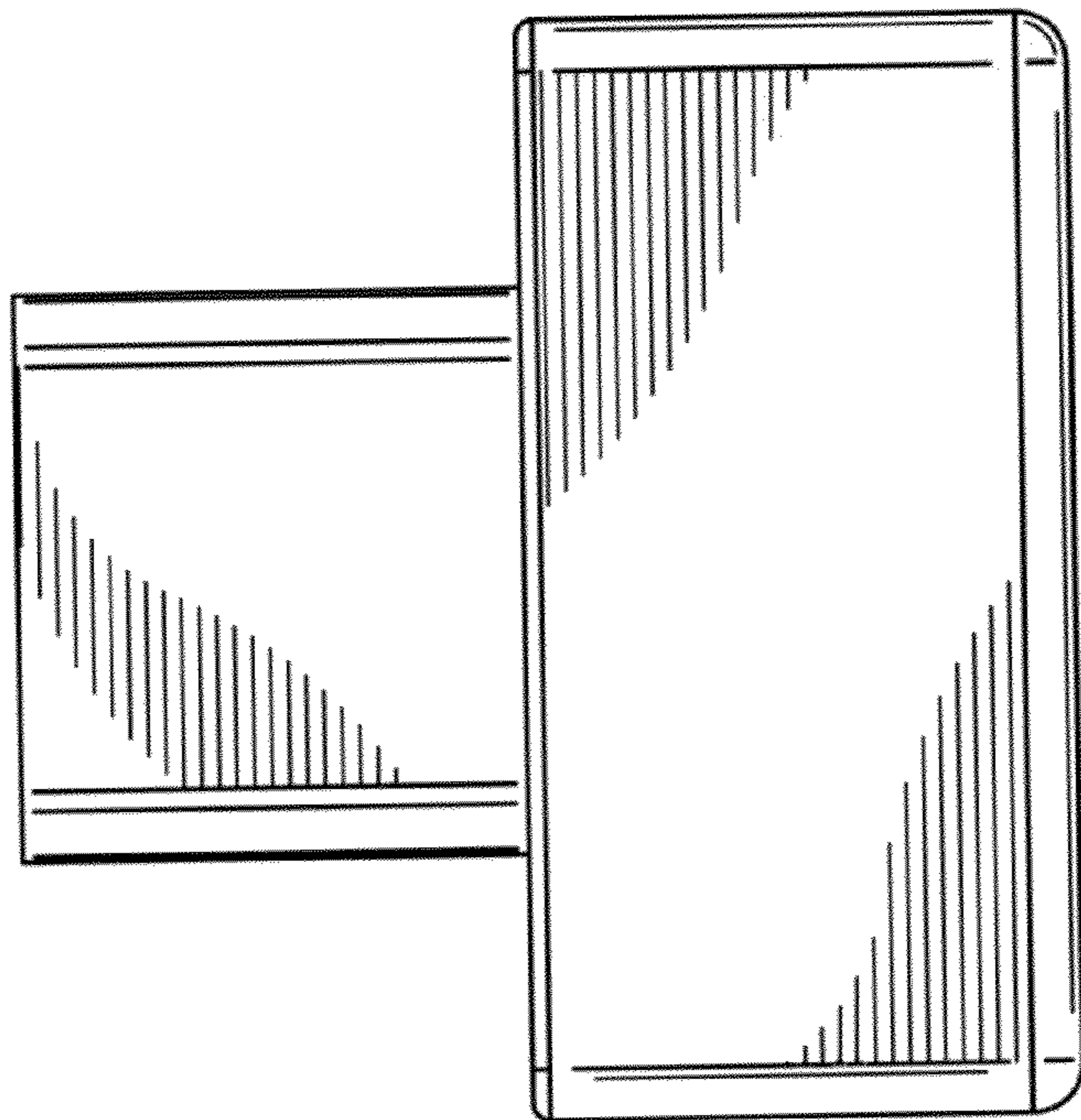


FIG. 4

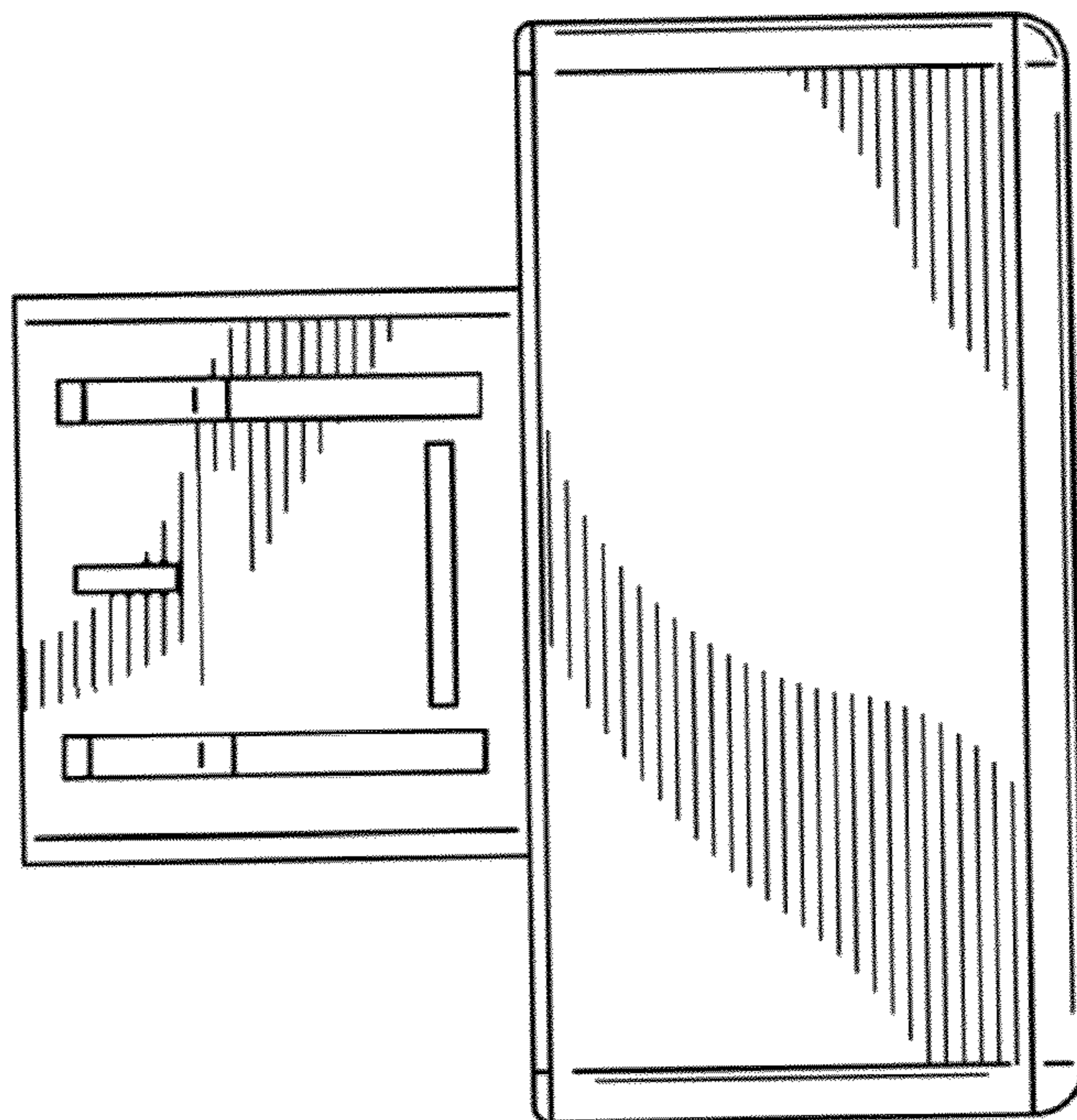


FIG. 3

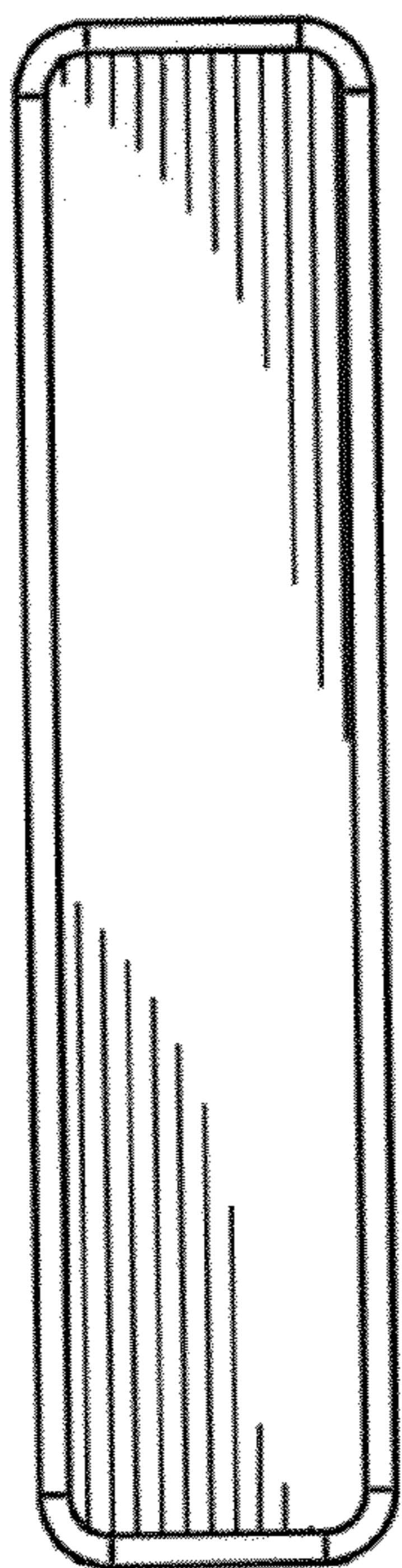


FIG. 6

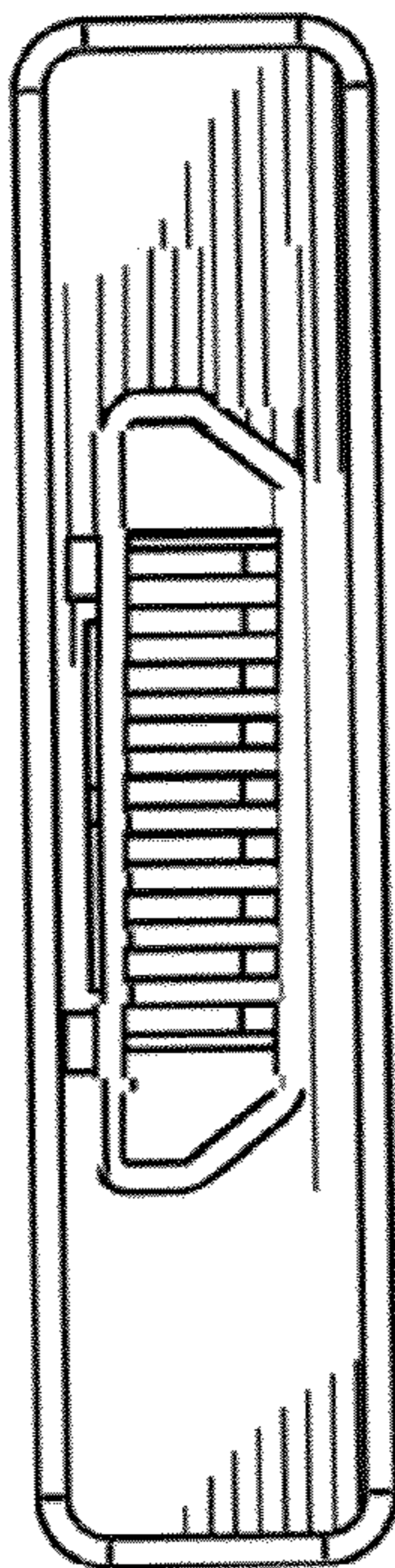


FIG. 5

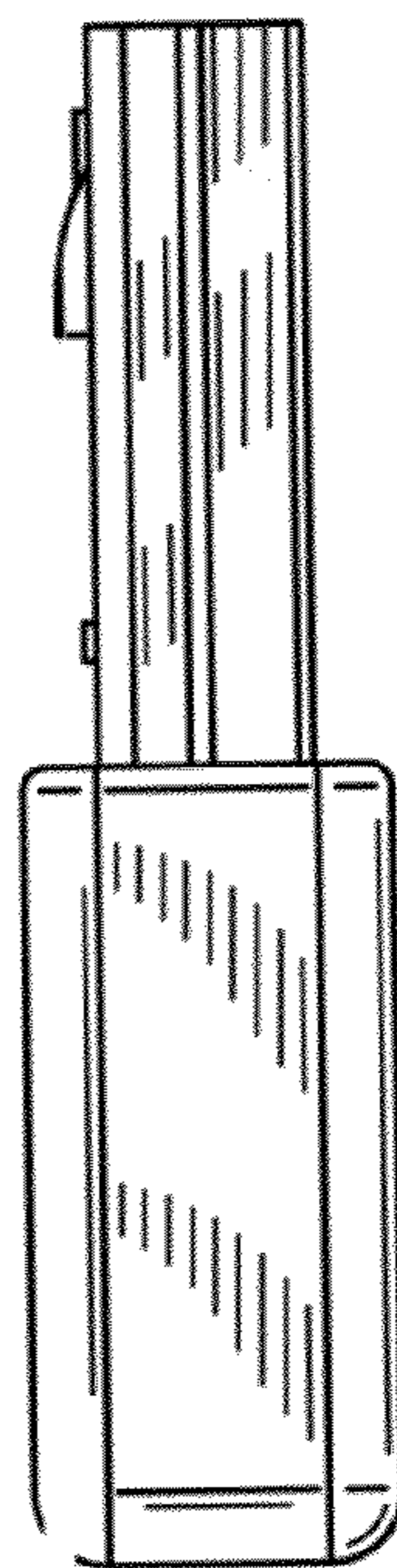


FIG. 7

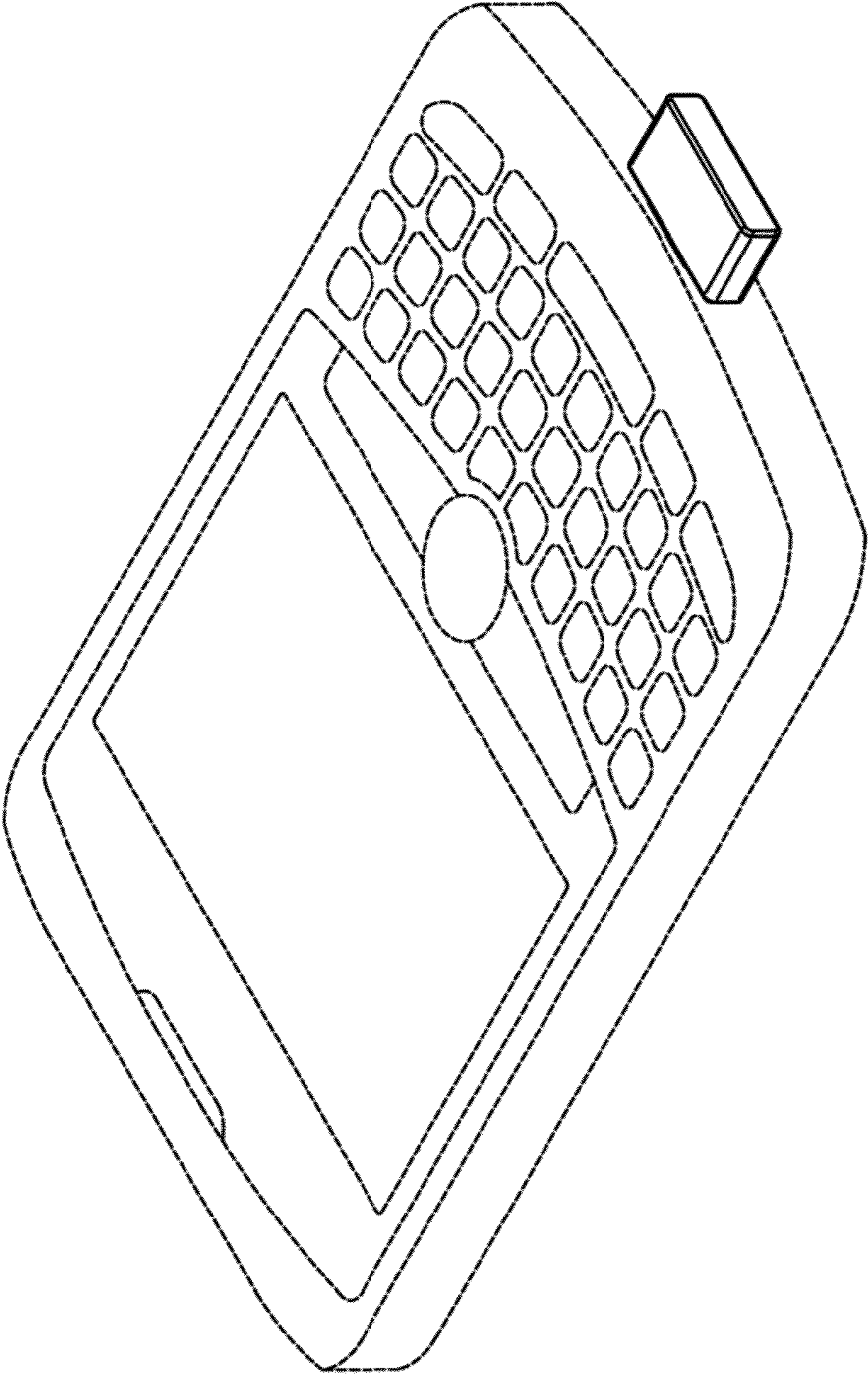


FIG. 8