



US00D759001S

(12) **United States Design Patent**
Behar

(10) **Patent No.:** **US D759,001 S**
(45) **Date of Patent:** **** Jun. 14, 2016**

(54) **STAND FOR TELEVISION RECEIVER**

(71) Applicant: **Samsung Electronics Co., Ltd.**,
Suwon-si (KR)
(72) Inventor: **Yves Behar**, San Francisco, CA (US)
(73) Assignee: **Samsung Electronics Co., Ltd.**,
Suwon-si (KR)
(**) Term: **14 Years**

(21) Appl. No.: **29/518,710**
(22) Filed: **Feb. 26, 2015**

(30) **Foreign Application Priority Data**

Aug. 28, 2014 (KR) 30-2014-0042164
(51) **LOC (10) Cl.** **14-03**
(52) **U.S. Cl.**
USPC **D14/239**
(58) **Field of Classification Search**
USPC D14/125-134, 239, 371, 136, 374-377,
D14/440, 450, 448, 336, 342, 159; 312/7.2;
348/836, 838, 180, 184, 325, 739;
248/917-924, 465; 345/104, 133, 156,
345/168, 87, 173; D21/329, 515, 577, 622,
D21/333, 433, 448, 452, 450, 331, 505;
D10/15, 26; 446/484, 175, 356;
D6/477, 479, 300; D24/185; D34/14
CPC ... G06F 1/1601; G06F 1/1643; H05K 5/0004;
H05K 5/0017; H05K 5/02; H05K 5/0217
See application file for complete search history.

(56) **References Cited**

U.S. PATENT DOCUMENTS

D508,055 S * 8/2005 Lo D14/451
D530,327 S * 10/2006 Chen et al. D14/375

(Continued)

FOREIGN PATENT DOCUMENTS

KR 30-2002-0009982 3/2003
KR 30-2005-0013676 9/2005
KR 30-2009-0020250 9/2010

OTHER PUBLICATIONS

Low Cheaw Hwei. "From buy and use, to love and own: The launch of the new Philips DesignLine television", [2014] www.design.philips.com. <http://www.design.philips.com/philips/sites/philipsdesign/about/design/designportfolio/design_for_consumer_lifestyle/DesignLine_TV_Range.page>.

(Continued)

Primary Examiner — Randall Gholson
(74) *Attorney, Agent, or Firm* — NSIP Law

(57) **CLAIM**

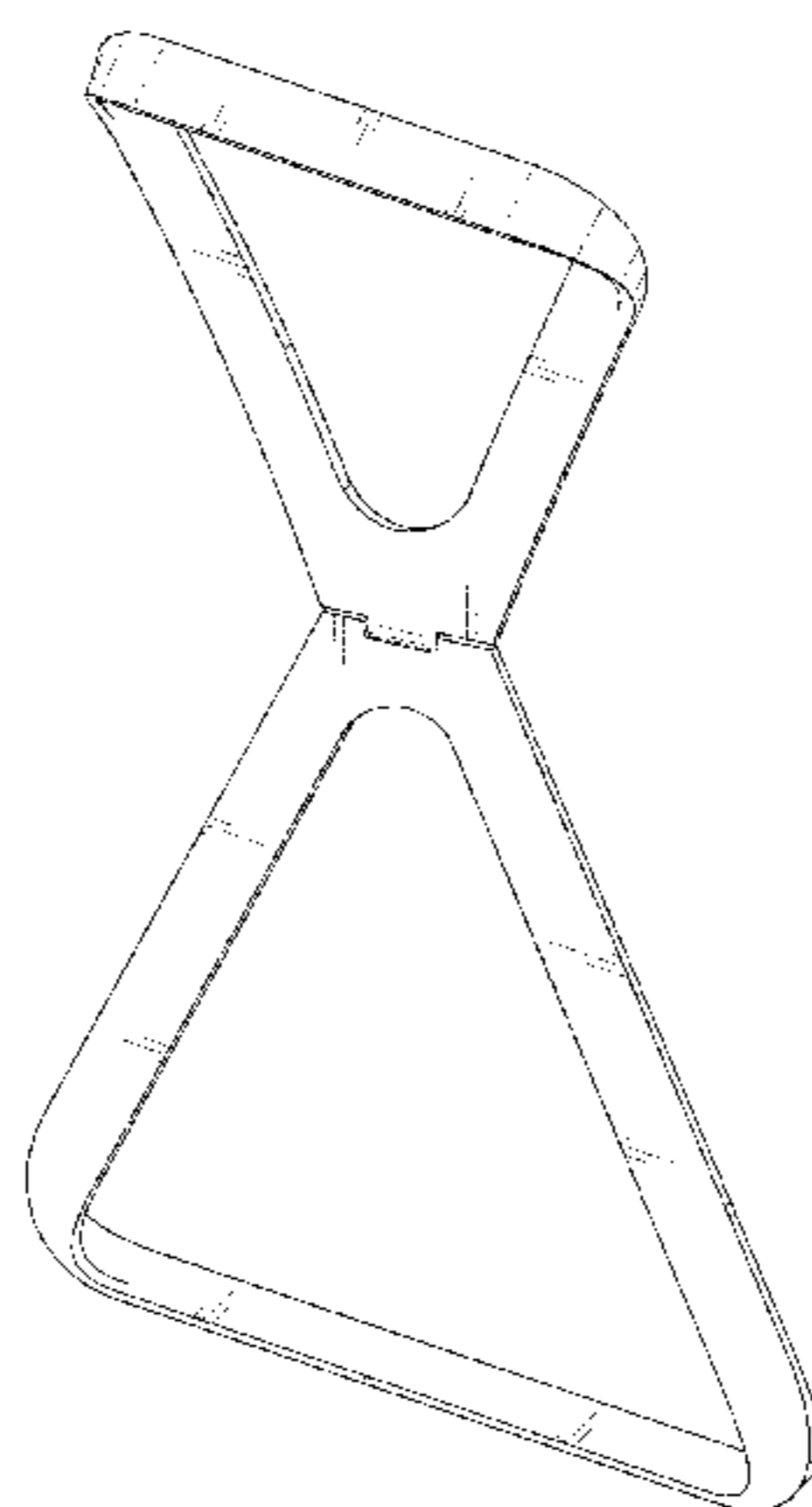
I claim the ornamental design for a stand for television receiver, as shown and described.

DESCRIPTION

FIG. 1 is a front perspective view of a stand for television receiver showing my new design;
FIG. 2 is a front view thereof;
FIG. 3 is a rear view thereof;
FIG. 4 is a left-side view thereof;
FIG. 5 is a right-side view thereof;
FIG. 6 is a top view thereof;
FIG. 7 is a bottom view thereof;
FIG. 8 is another perspective view of the stand for television receiver shown in an alternate position;
FIG. 9 is a front view of FIG. 8;
FIG. 10 is a rear view of FIG. 8;
FIG. 11 is a left-side view of FIG. 8;
FIG. 12 is a right-side view of FIG. 8;
FIG. 13 is a top view of FIG. 8;
FIG. 14 is a bottom view of FIG. 8;
FIG. 15 is another left-side view of the stand for television receiver in which a display panel is provided in broken lines to illustrate an example environment;
FIG. 16 is another perspective view of the stand for television receiver shown in FIG. 1 in which a display panel is provided in broken lines to illustrate an example environment; and,
FIG. 17 is another perspective view of the stand for a television receiver shown in an alternate position in which a display panel is provided in broken lines to illustrate an example environment.

The broken lines in the figures show portions of the stand for television receiver which form no part of the claimed design.

1 Claim, 13 Drawing Sheets



(56)

References Cited

OTHER PUBLICATIONS

U.S. PATENT DOCUMENTS

D535,265 S * 1/2007 Inoue D14/126
D556,756 S * 12/2007 Kataoka et al. D14/375
D680,982 S * 4/2013 Lee et al. D14/126
D684,981 S * 6/2013 Chang et al. D14/451
D698,745 S * 2/2014 Jung et al. D14/126
D699,232 S * 2/2014 Jung et al. D14/239

Walmart. "Philips 19" Class 720p 60Hz LCD TV, 19PFL3504D/F7".

[2015]. www.walmart.com. < [http://www.walmart.com/ip/Philips-](http://www.walmart.com/ip/Philips-19-LCD-HDTV-19pfl3504D/10965940)

19-LCD-HDTV-19pfl3504D/10965940>.

* cited by examiner

FIG. 1

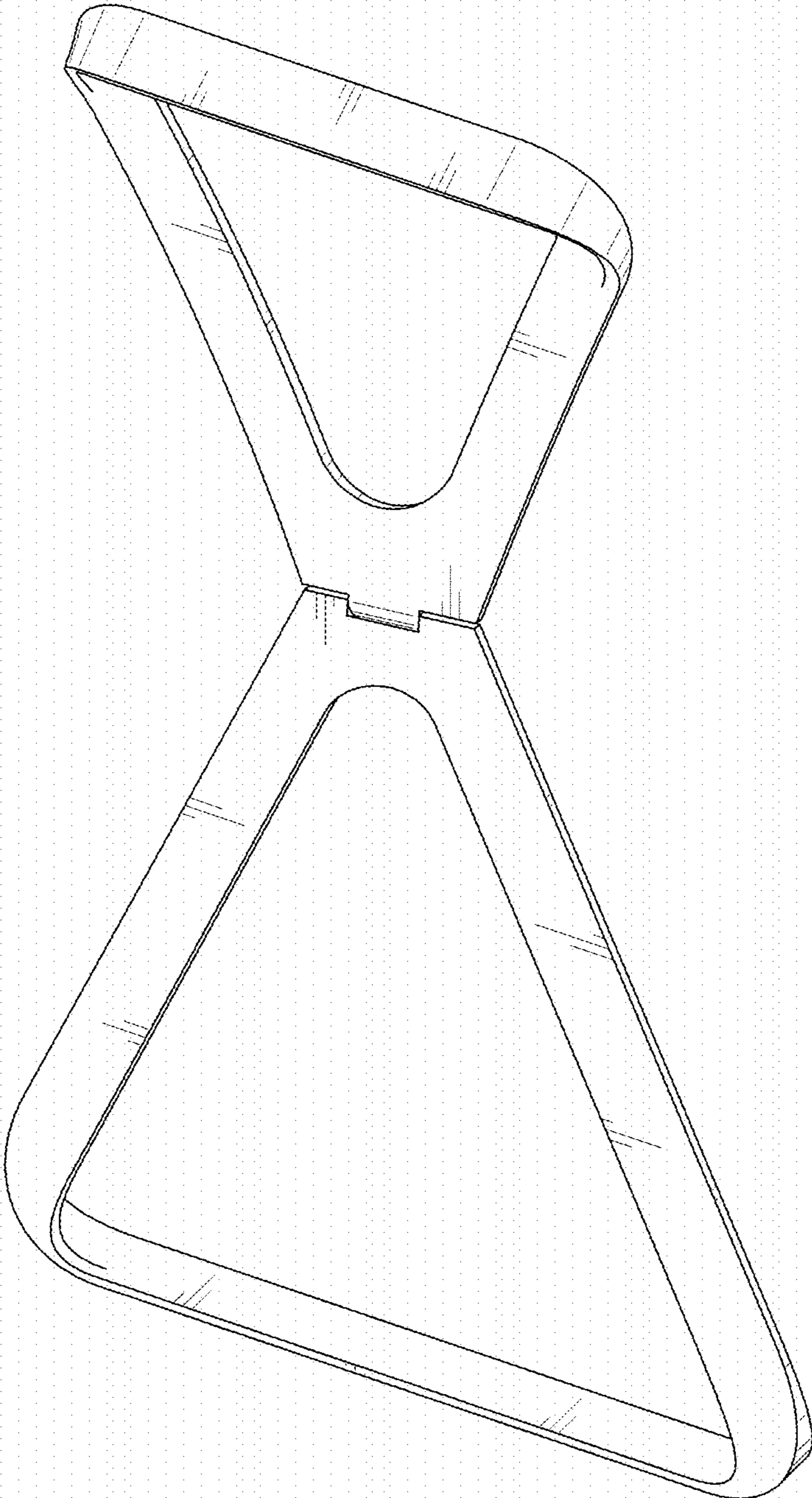


FIG. 2

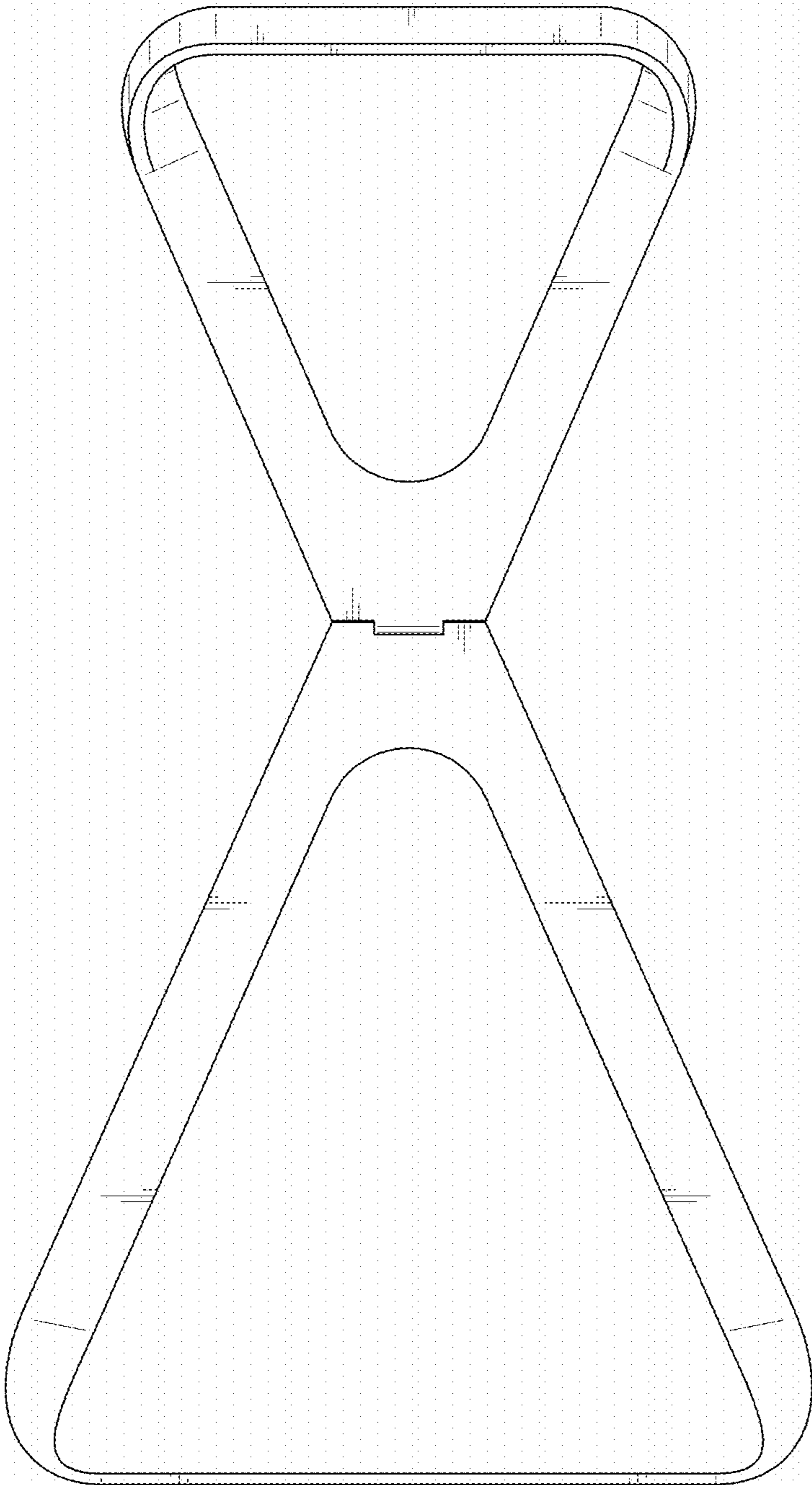


FIG. 3

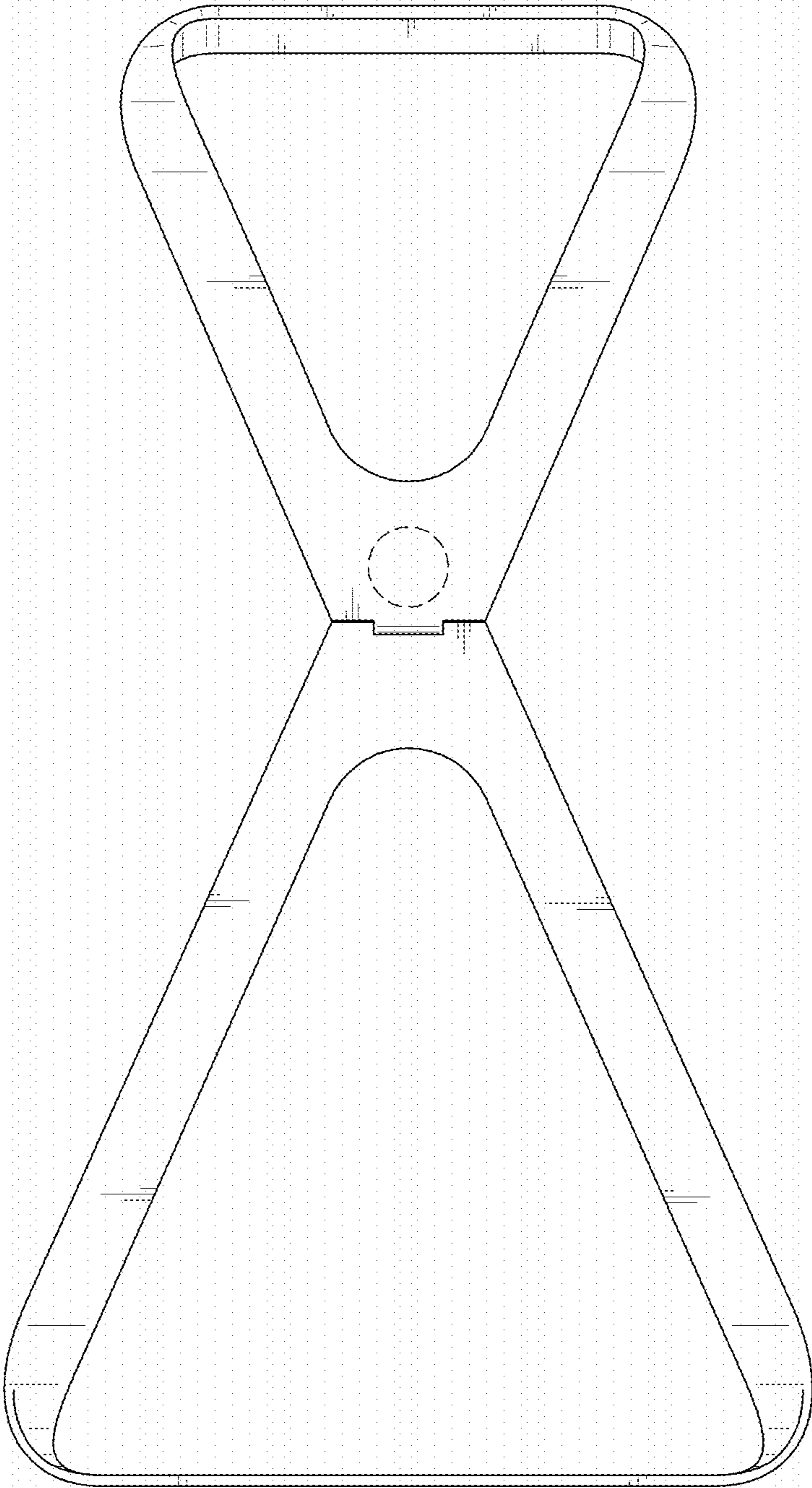


FIG. 4

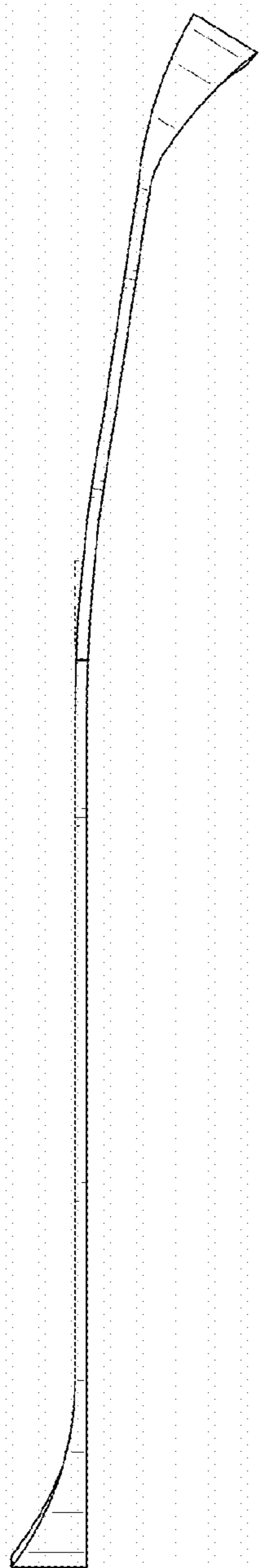


FIG. 5

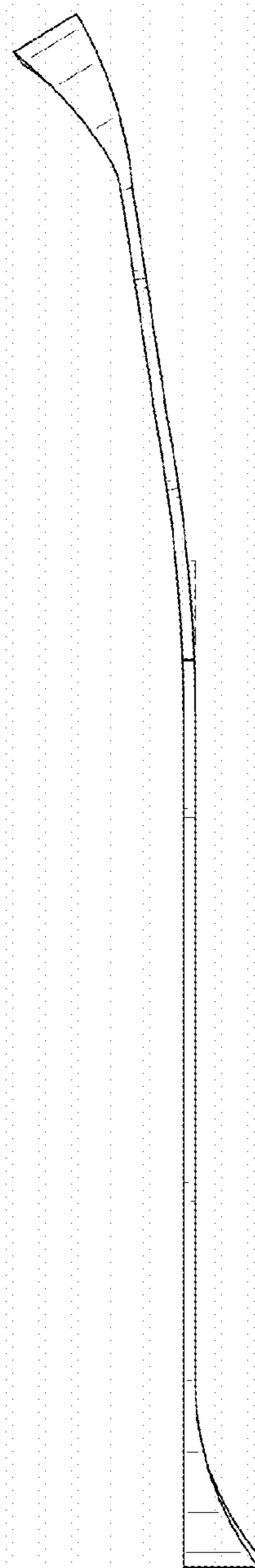


FIG. 6

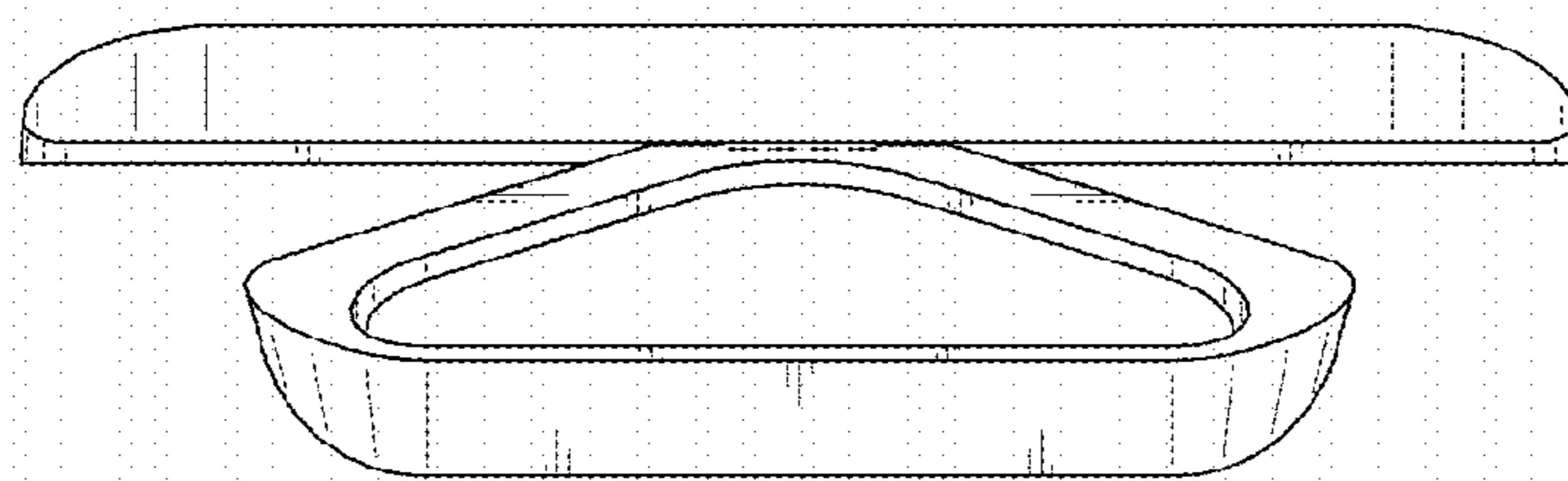


FIG. 7

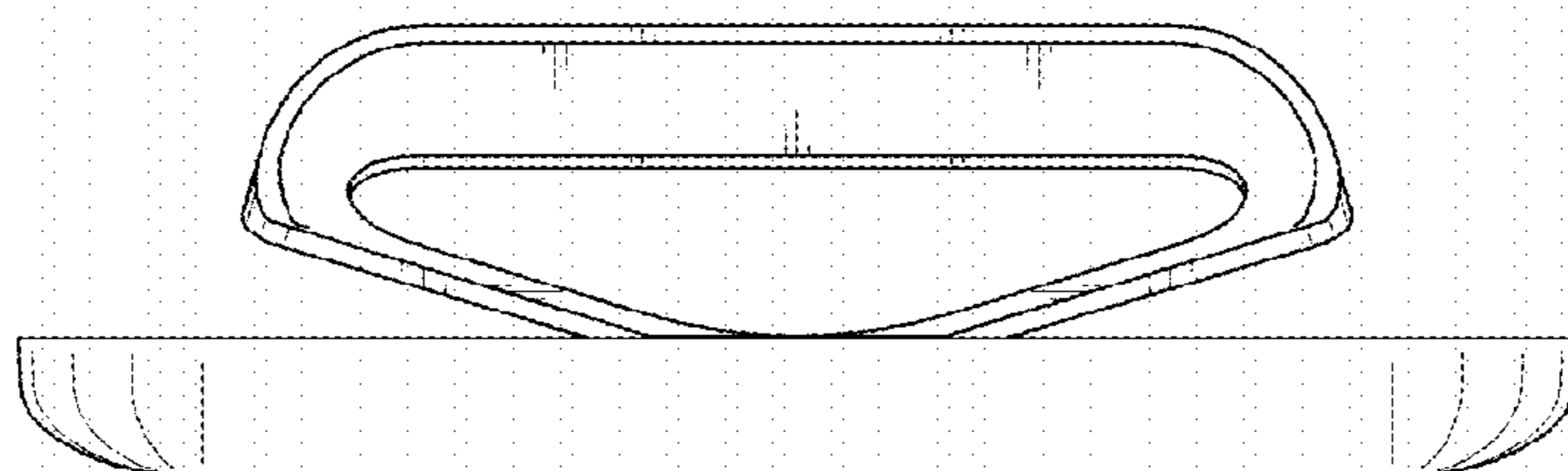


FIG. 8

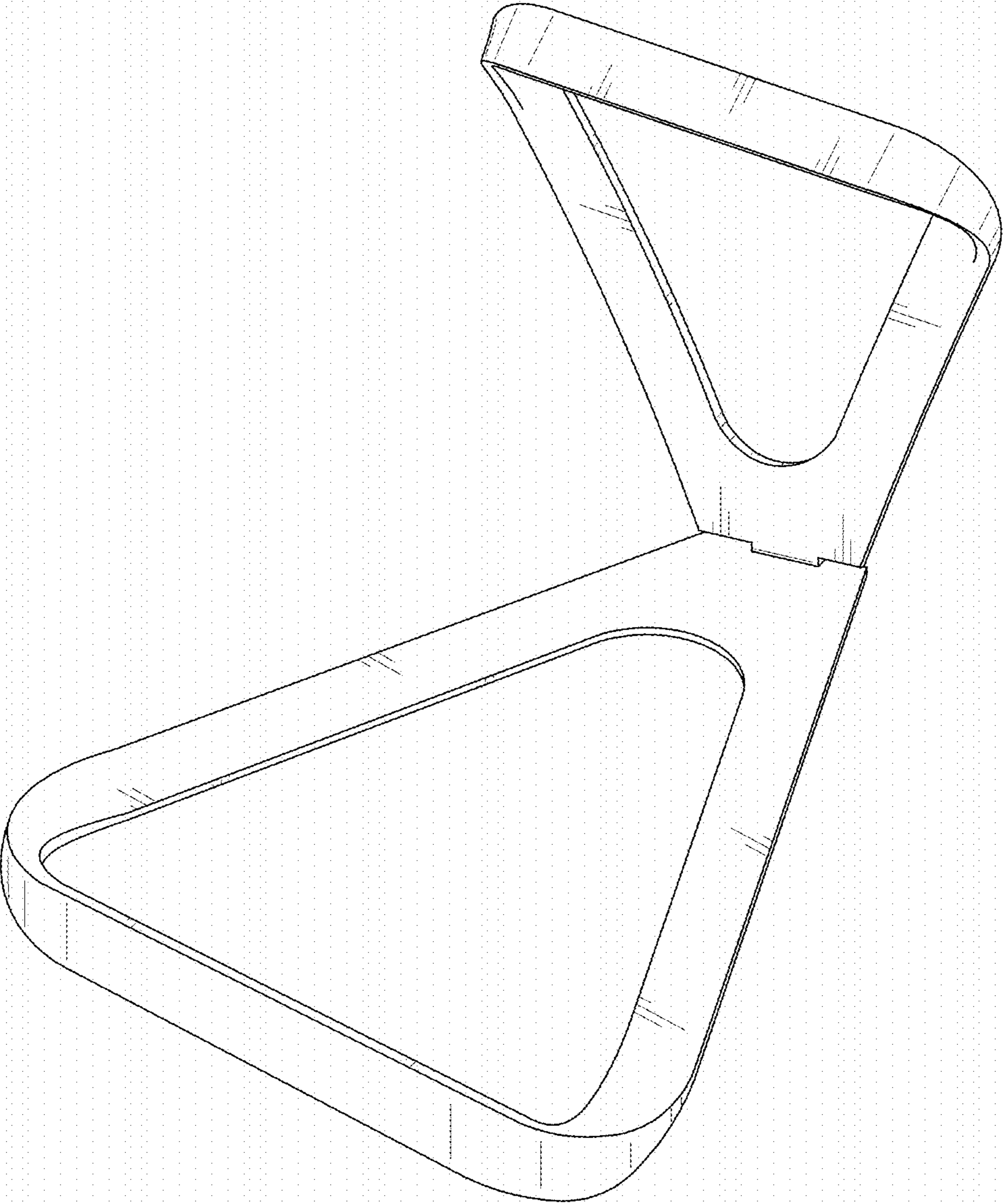


FIG. 9

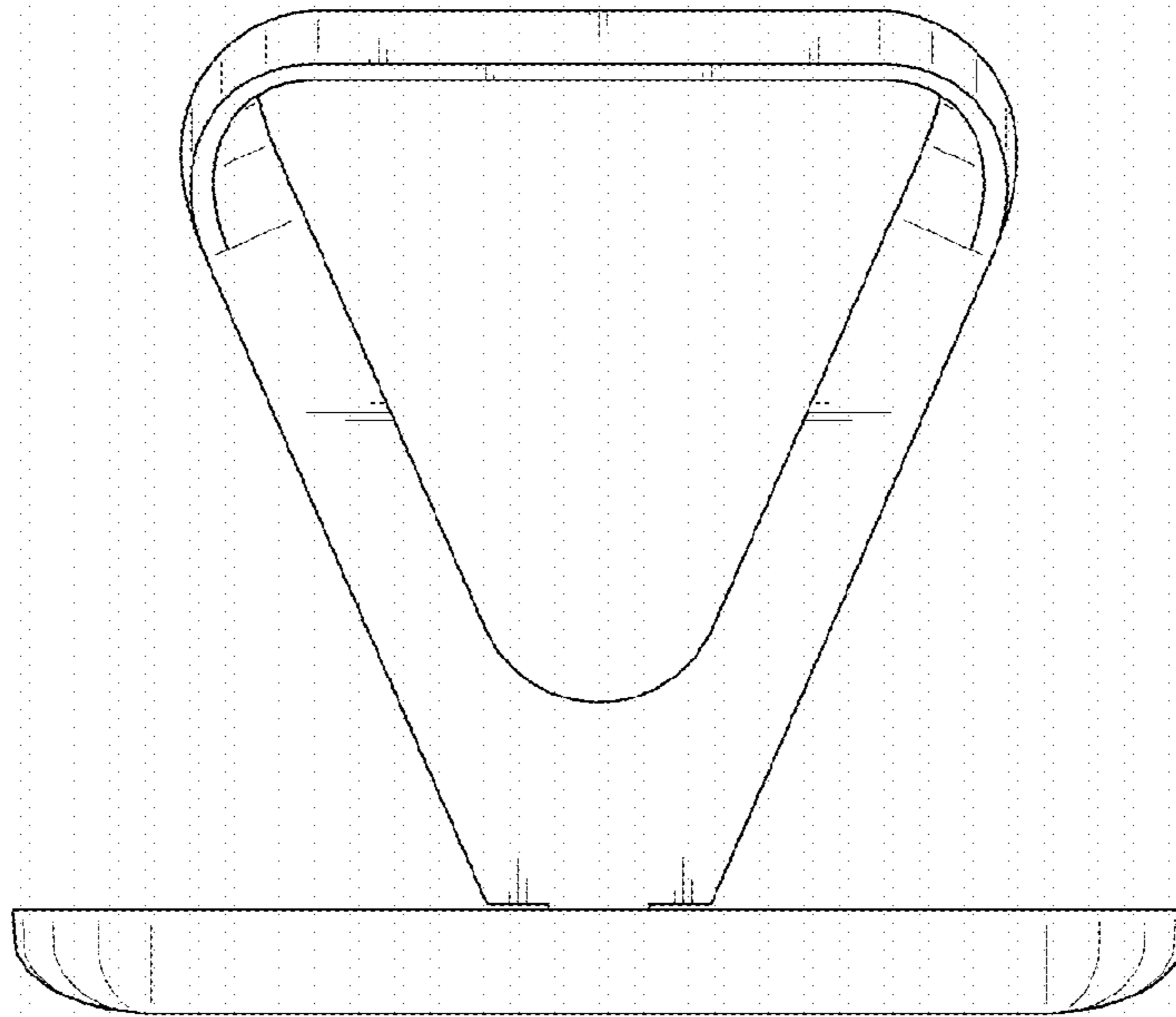


FIG. 10

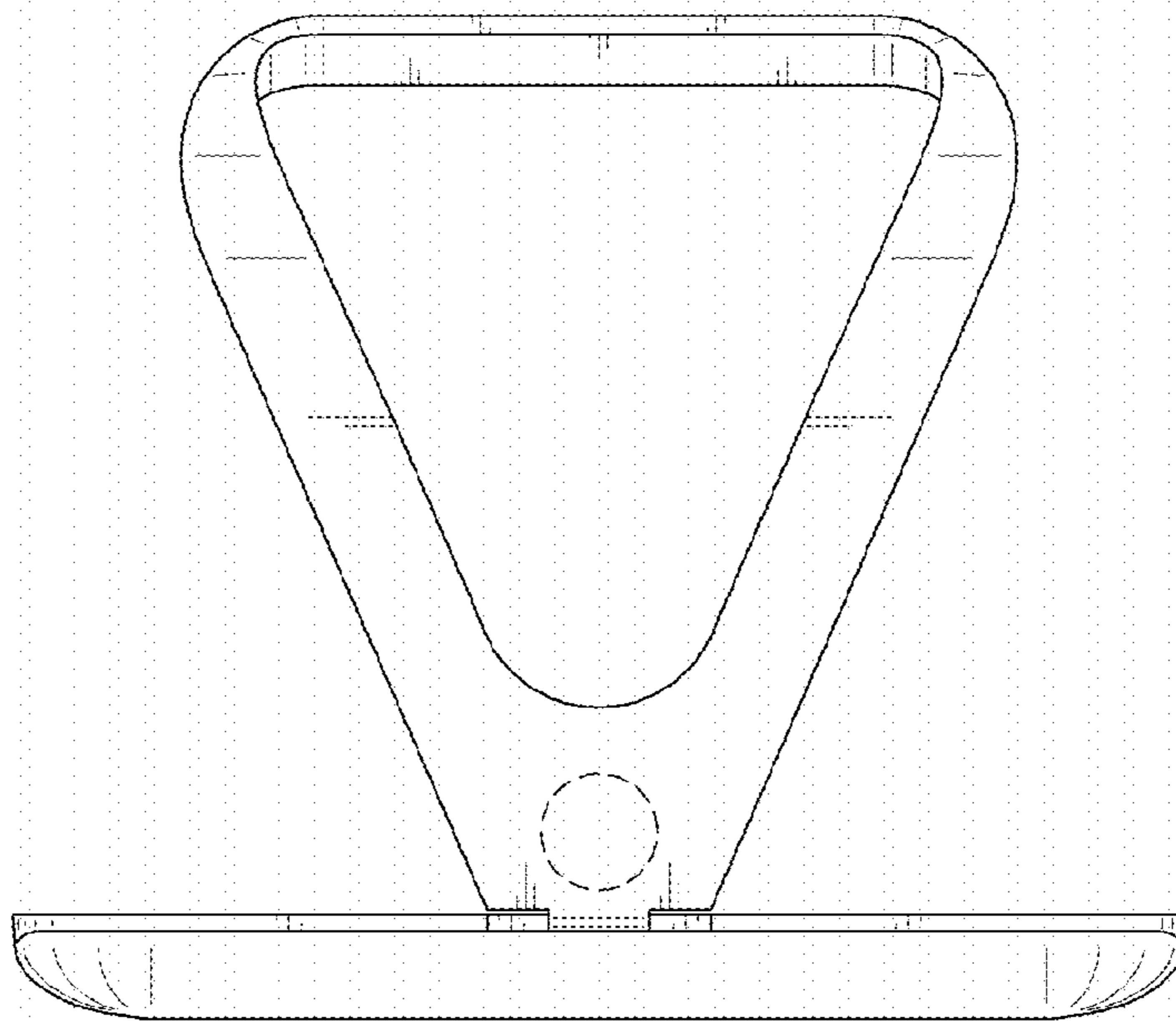


FIG. 11

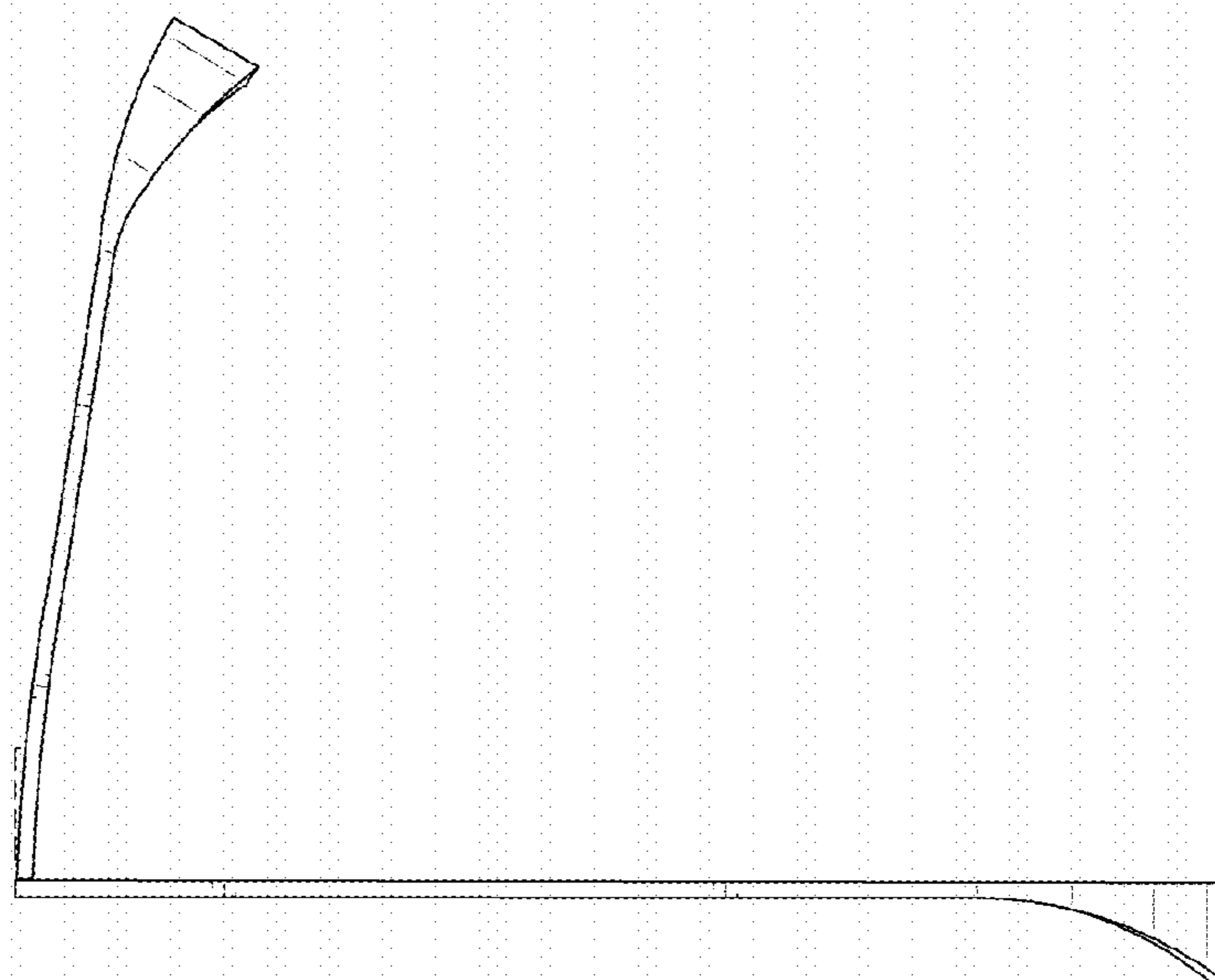


FIG. 12

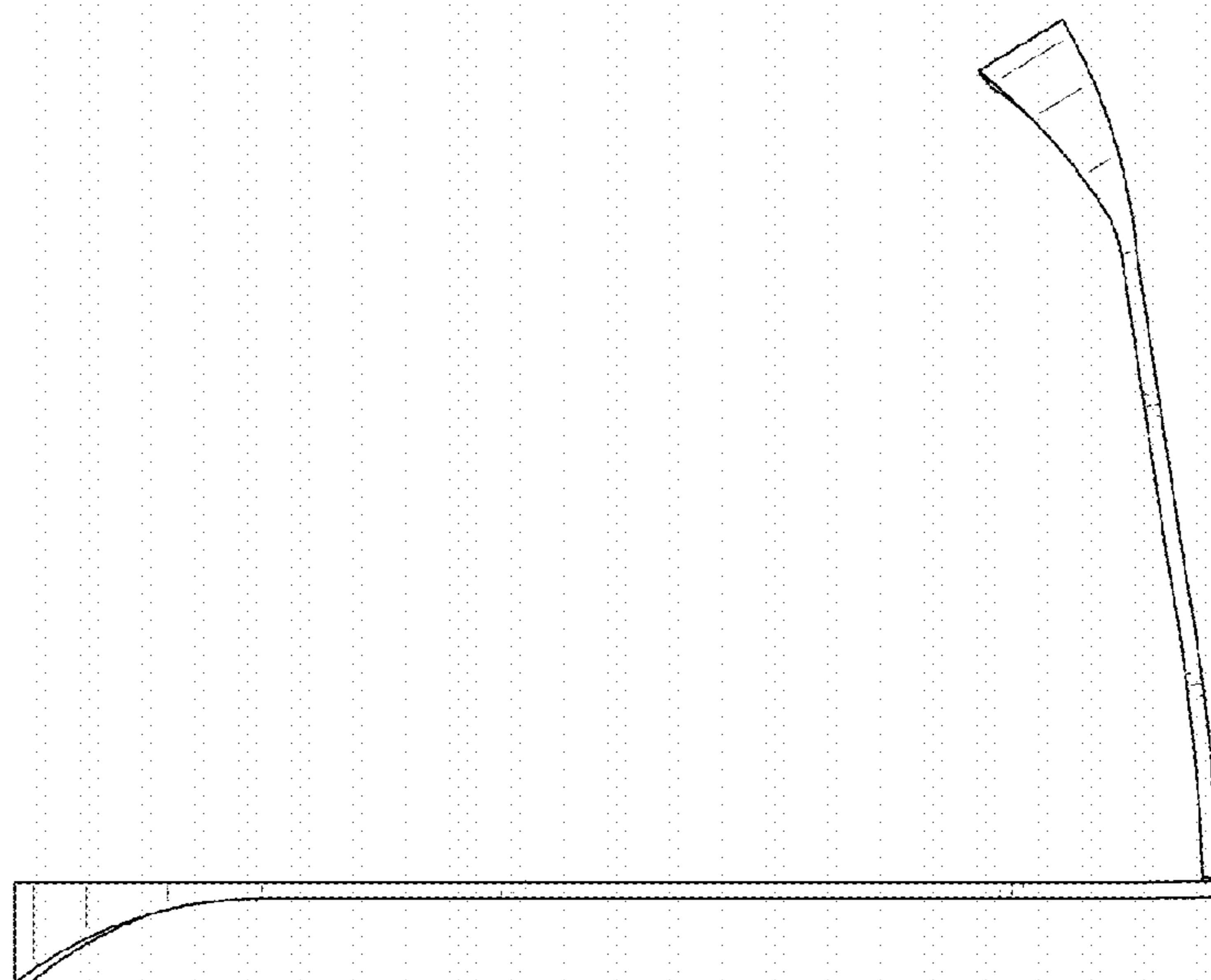


FIG. 13

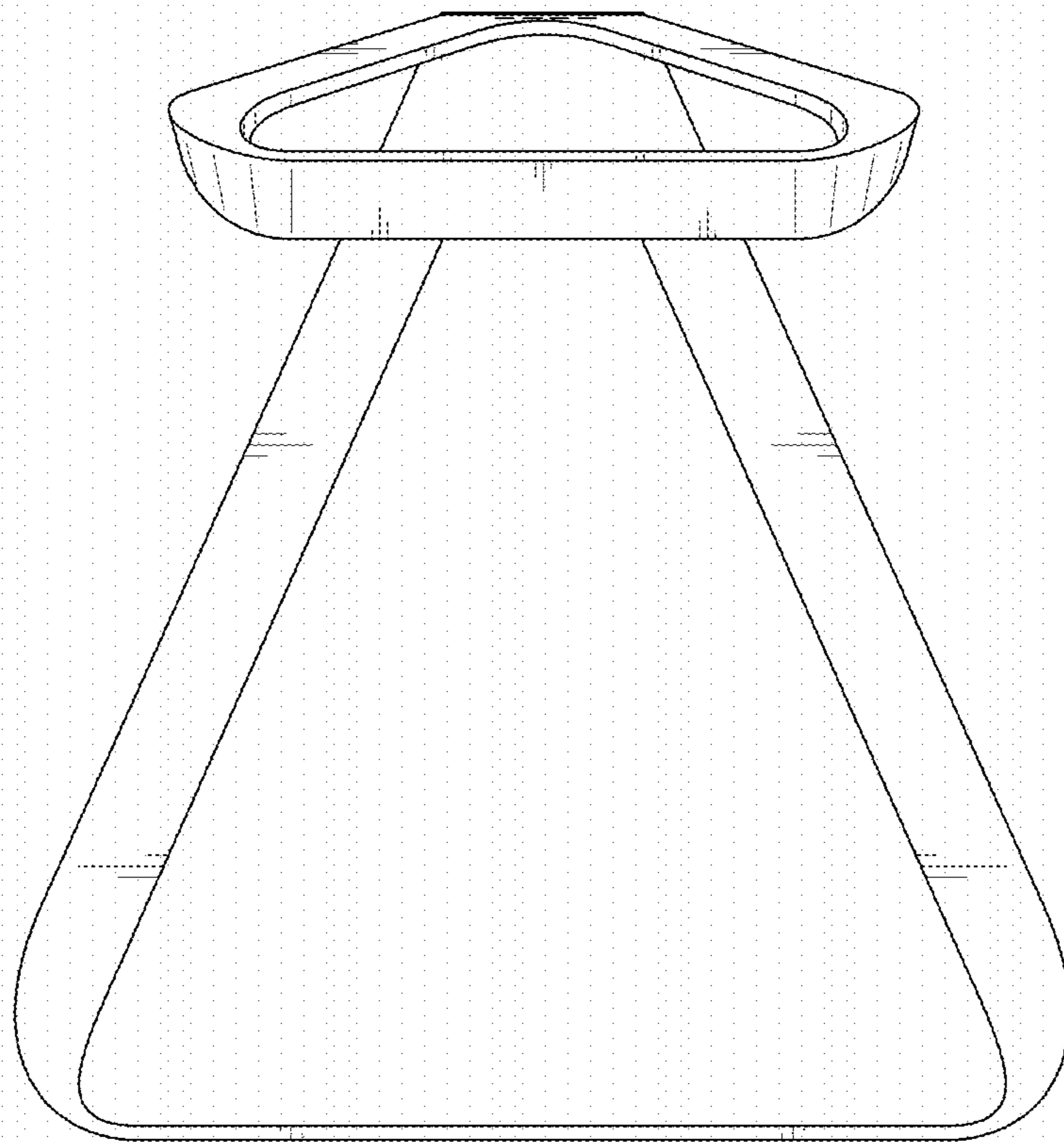


FIG. 14

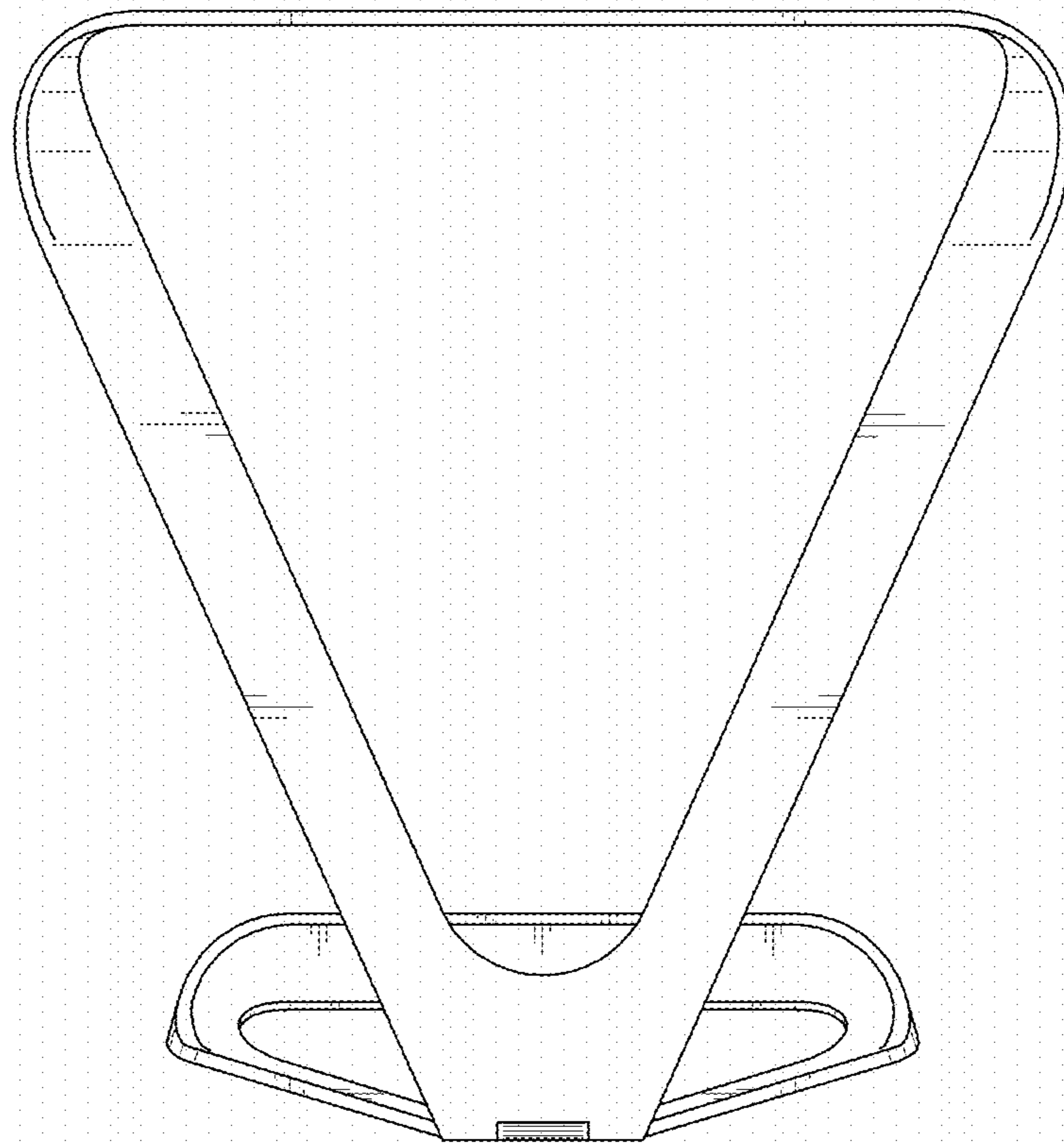


FIG. 15

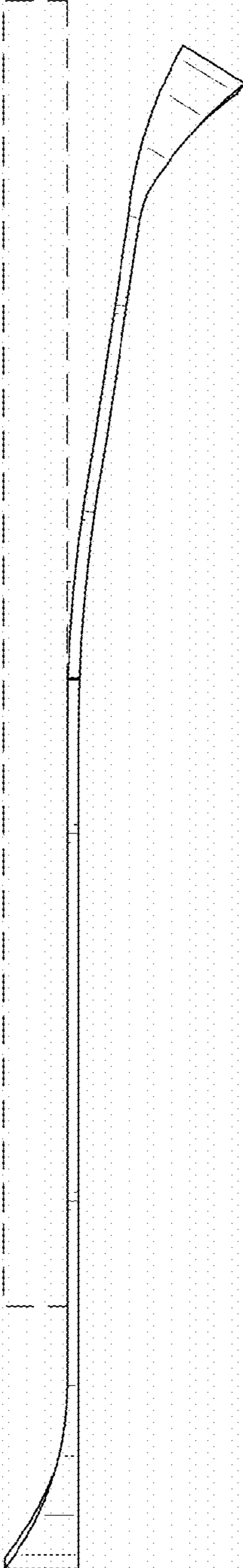


FIG. 16

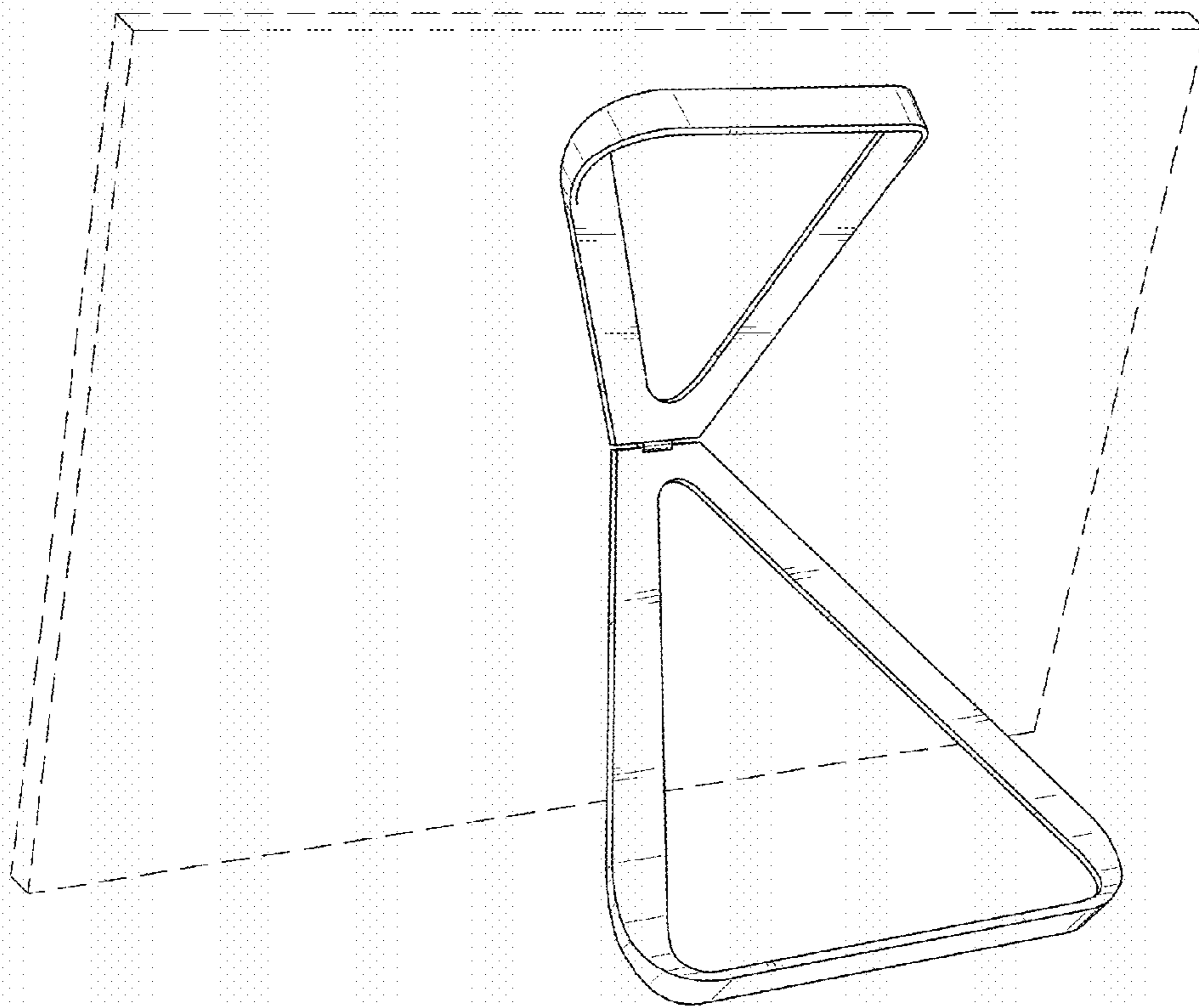


FIG. 17

