



US00D758997S

(12) **United States Design Patent**
Miller et al.

(10) **Patent No.:** **US D758,997 S**
(45) **Date of Patent:** **** Jun. 14, 2016**

(54) **MICROPHONE**

(56) **References Cited**

(71) Applicant: **Shure Acquisition Holdings, Inc.**,
Niles, IL (US)
(72) Inventors: **John Matthew Miller**, Grayslake, IL
(US); **Mark Louis Coster**, Wilmette, IL
(US); **Andres David Huertas**, Chicago,
IL (US); **Michael Chad Wiggins**,
Gilberts, IL (US)

U.S. PATENT DOCUMENTS

D105,226 S *	7/1937	Moore	D14/226
3,383,476 A *	5/1968	Morgan	H04R 1/222 181/158
D504,126 S *	4/2005	Saulespurens	D14/228
D519,112 S *	4/2006	Yang	D14/228
D529,484 S *	10/2006	Probst	D14/228
D535,645 S *	1/2007	Probst	D14/225
D704,168 S *	5/2014	Godfrey	D14/225
2004/0076305 A1 *	4/2004	Santiago	H04R 1/406 381/356

* cited by examiner

(73) Assignee: **Shure Acquisition Holdings, Inc.**,
Niles, IL (US)

Primary Examiner — Susan Bennett Hattan
Assistant Examiner — Leanne Was

(**) Term: **14 Years**

(74) *Attorney, Agent, or Firm* — William J. Lenz, Esq.; Neal,
Gerber & Eisenberg LLP

(21) Appl. No.: **29/511,305**

(57) **CLAIM**

The ornamental design for a microphone, as shown and described.

(22) Filed: **Dec. 9, 2014**

DESCRIPTION

(51) **LOC (10) Cl.** **14-01**

(52) **U.S. Cl.**
USPC **D14/225**

(58) **Field of Classification Search**
USPC D14/195, 203.1, 203.8, 217, 219, 222,
D14/224, 225-229, 299, 356, 496; 181/143,
181/144, 147, 148, 153, 157, 158, 198,
181/242; 381/345, 354, 363, 368, 369

FIG. 1 is a perspective view of a microphone in accordance with the invention;
FIG. 2 is a front view of the microphone depicted in FIG. 1;
FIG. 3 is a side view of the microphone depicted in FIG. 1;
FIG. 4 is a top view of the microphone depicted in FIG. 1;
FIG. 5 is a bottom view of the microphone depicted in FIG. 1;
and,
FIG. 6 is a rear view of the microphone depicted in FIG. 1.
The broken lines depict portions of the microphone that form no part of the claimed design.

See application file for complete search history.

1 Claim, 2 Drawing Sheets

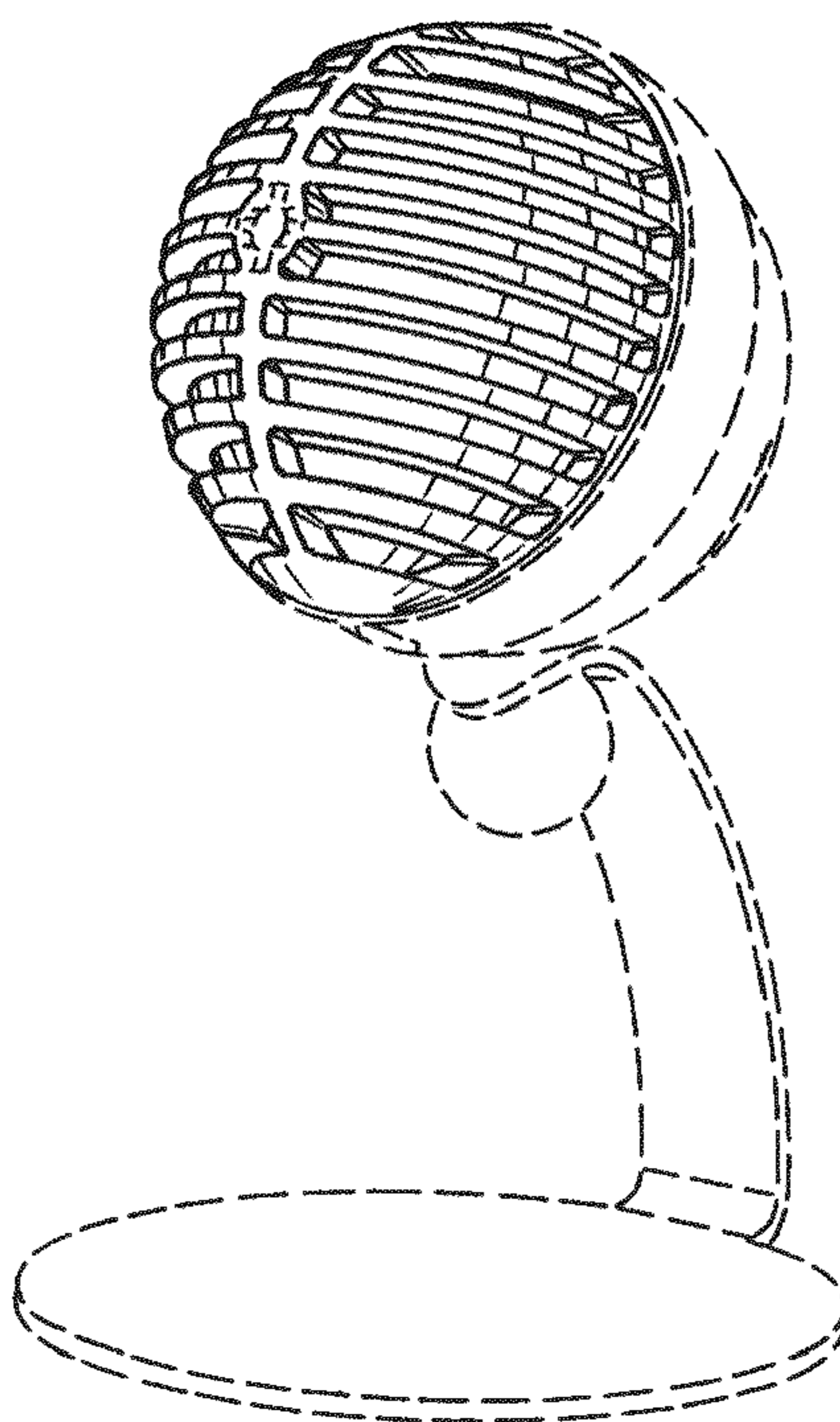


FIG. 1

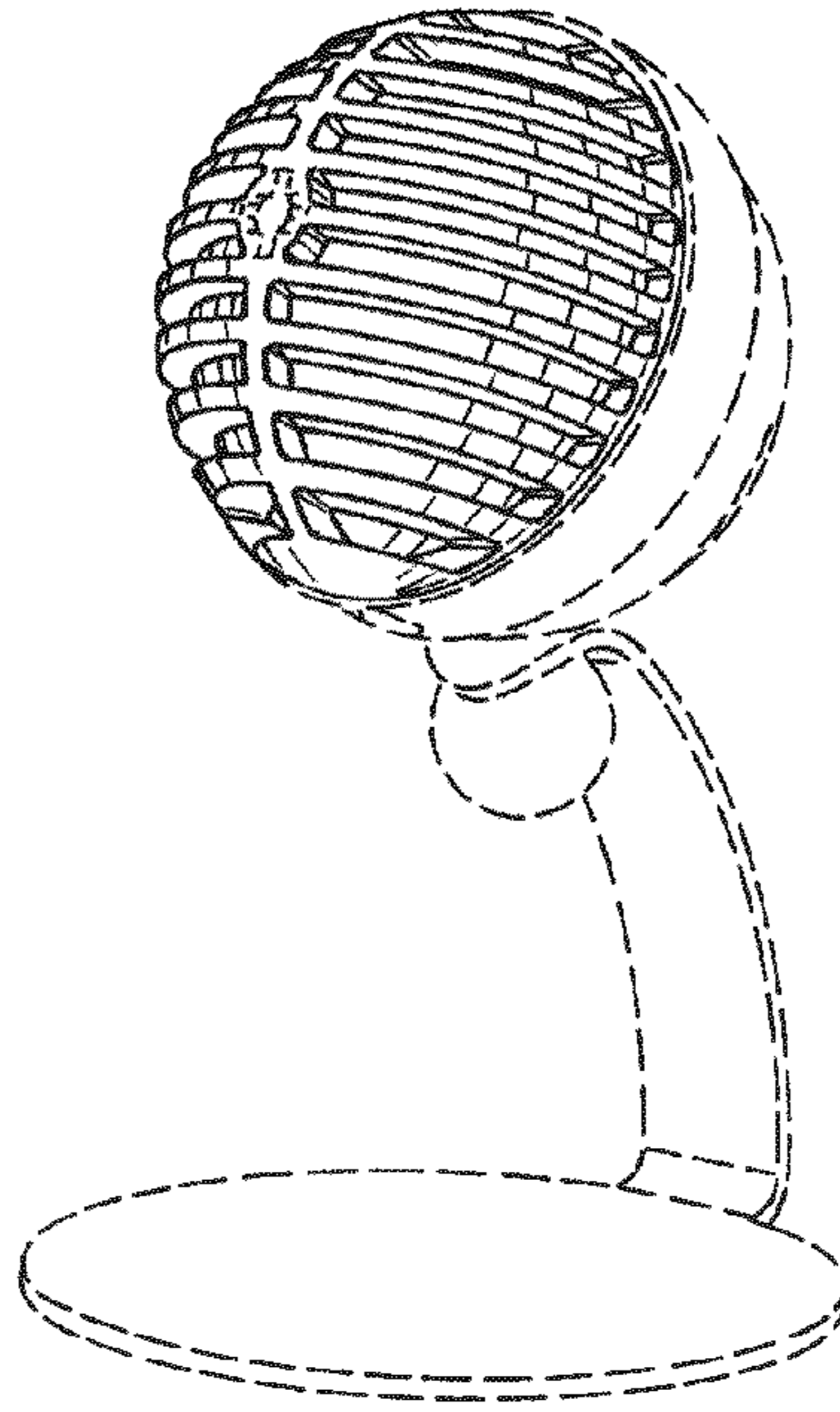


FIG. 2

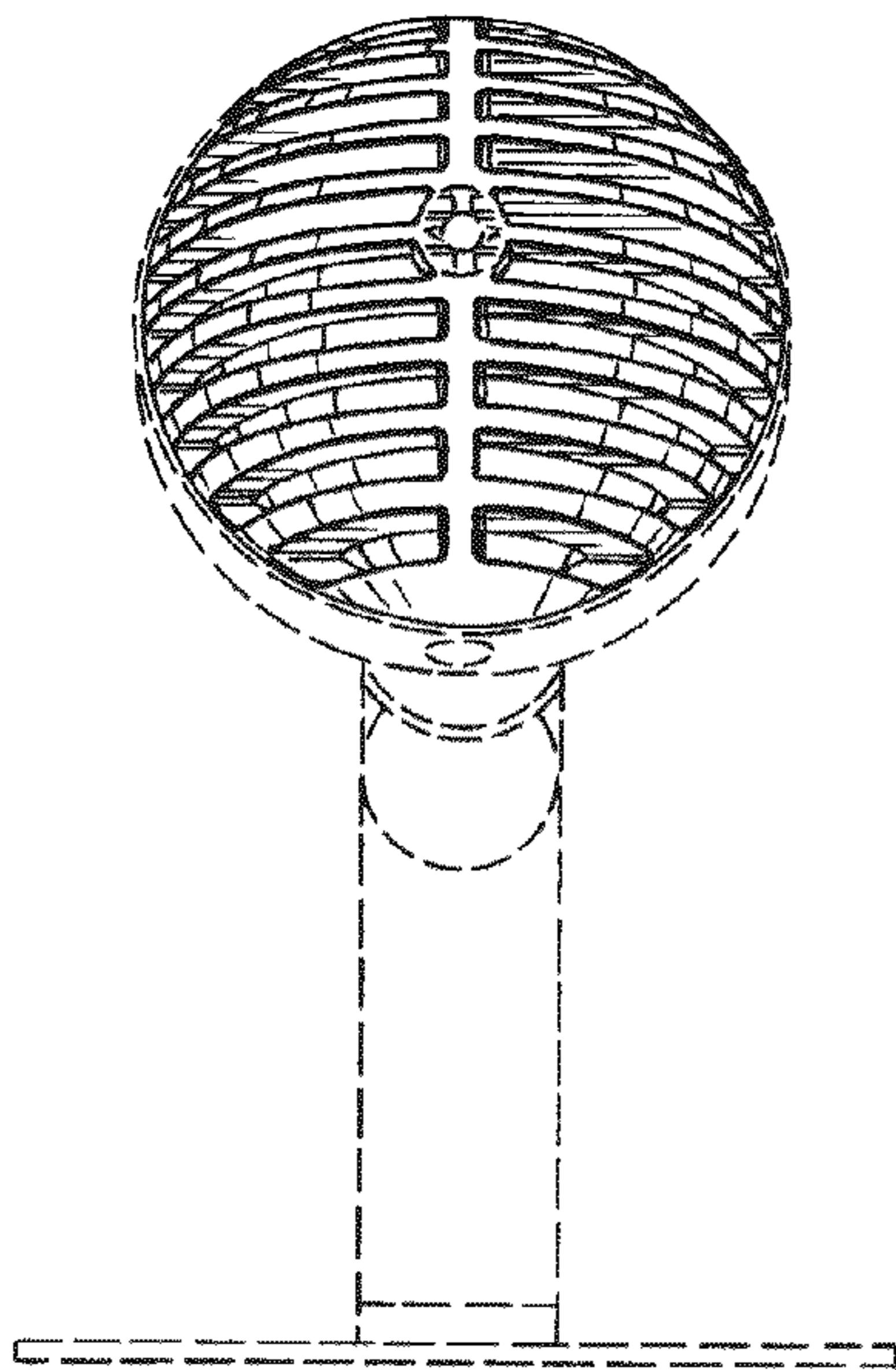


FIG. 3

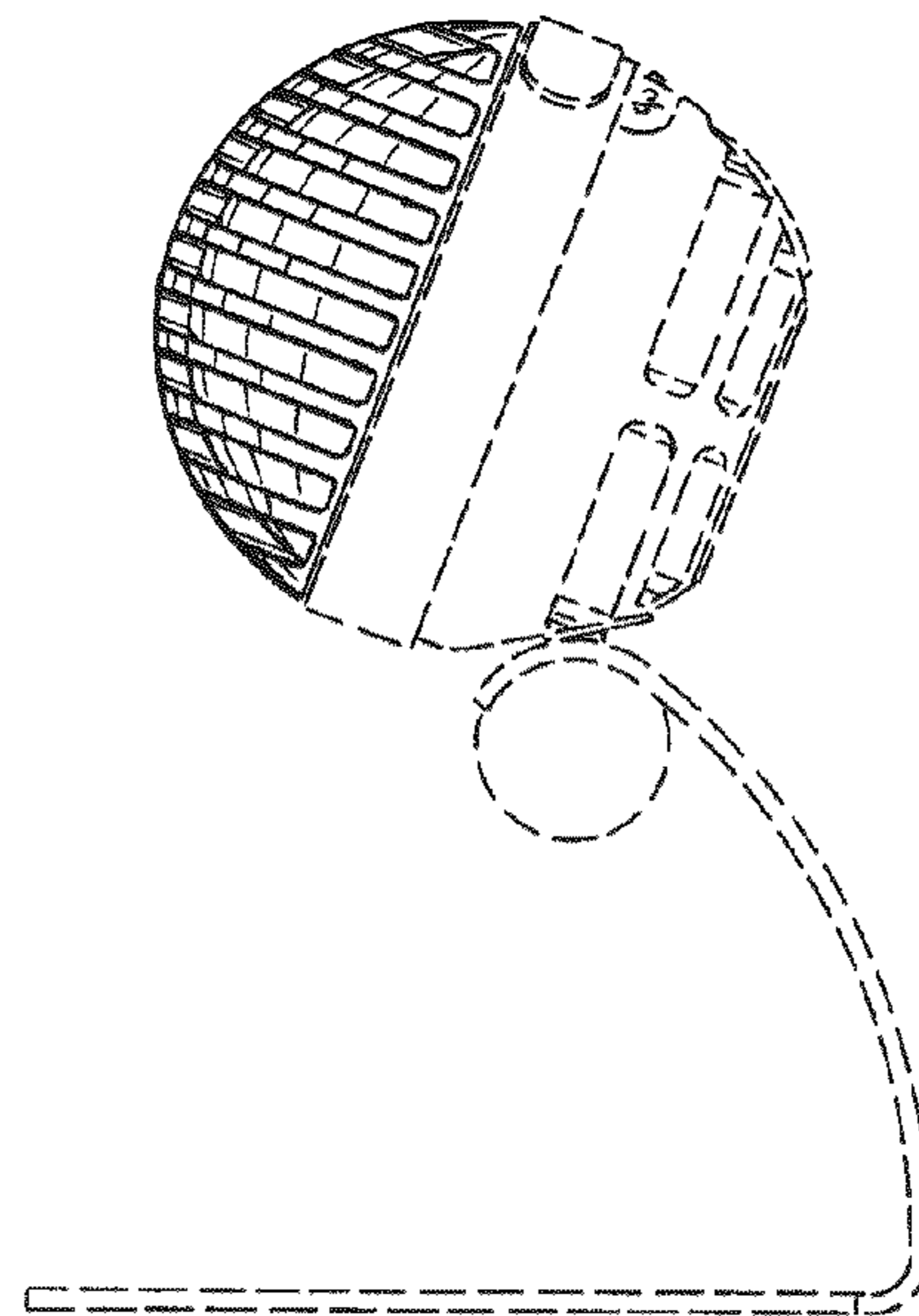


FIG. 4

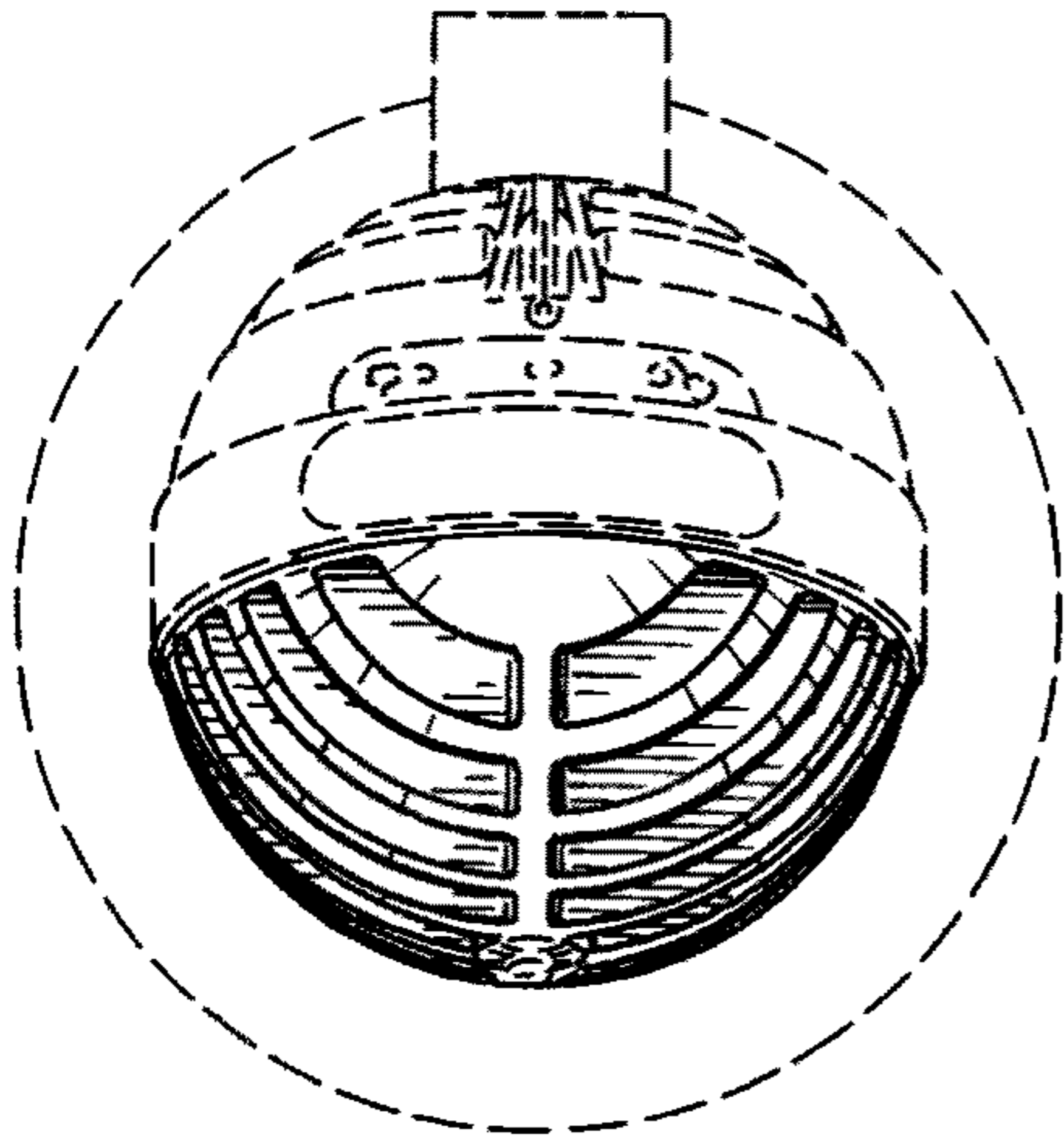


FIG. 5

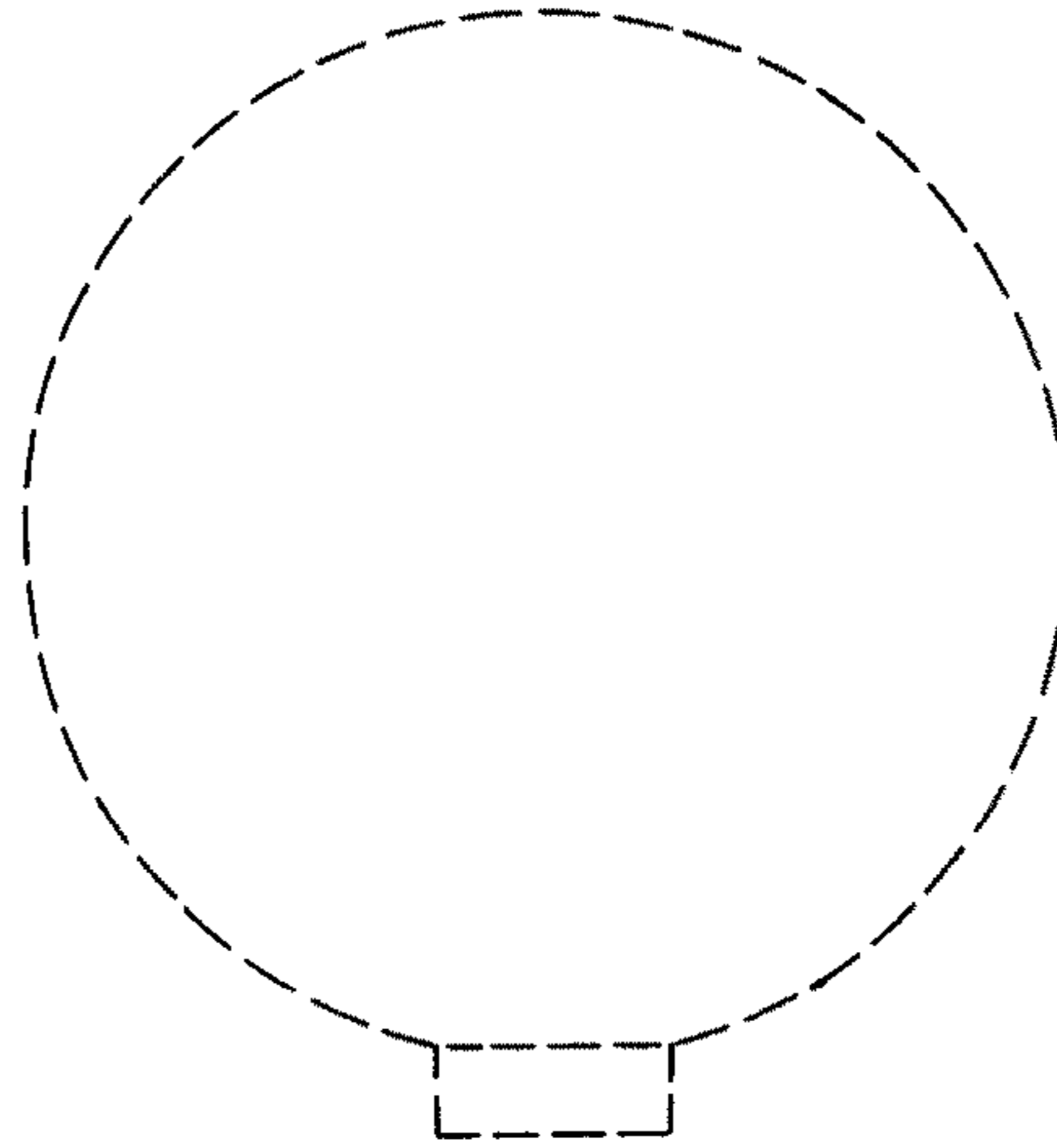


FIG. 6

