



US00D758991S

(12) **United States Design Patent**  
**Petersén**

(10) **Patent No.:** **US D758,991 S**  
(45) **Date of Patent:** **\*\* Jun. 14, 2016**

(54) **HEADPHONE**

(71) Applicant: **Zound Industries International AB,**  
Stockholm (SE)

(72) Inventor: **Erik Petersén, Johanneshov (SE)**

(73) Assignee: **Zound Industries International AB,**  
Stockholm (SE)

(\*\*) Term: **14 Years**

(21) Appl. No.: **29/508,363**

(22) Filed: **Nov. 5, 2014**

(30) **Foreign Application Priority Data**

Jun. 2, 2014 (EM) ..... 002475053-0001  
Jun. 2, 2014 (EM) ..... 002475053-0002

(51) **LOC (10) Cl.** ..... **14-01**

(52) **U.S. Cl.**  
USPC ..... **D14/205**

(58) **Field of Classification Search**  
USPC ..... D14/205, 206, 223; D29/112; 2/209;  
181/129, 130, 135; 379/430, 431;  
381/380, 381, 374, 379; 455/90.3,  
455/575.1  
CPC ..... H04R 1/1066  
See application file for complete search history.

(56) **References Cited**

**U.S. PATENT DOCUMENTS**

D270,634 S \* 9/1983 Ungar ..... D14/205  
D291,690 S \* 9/1987 Tabachnik ..... D14/205

D299,337 S \* 1/1989 Wiegel ..... D14/206  
D299,454 S \* 1/1989 Kwong ..... D14/205  
D300,627 S \* 4/1989 Kwong ..... D14/205  
D302,140 S \* 7/1989 Johnston ..... D11/216  
D305,541 S \* 1/1990 Hirose ..... D14/205  
D517,527 S \* 3/2006 Suzuki ..... D14/205  
D518,474 S \* 4/2006 Suzuki ..... D14/205  
D519,497 S \* 4/2006 Komiyama ..... D14/223  
D632,668 S \* 2/2011 Brunner et al. .... D14/205  
D663,286 S \* 7/2012 Morisawa ..... D14/205  
D668,633 S \* 10/2012 Enquist ..... D14/205  
D683,327 S \* 5/2013 Dougherty ..... D14/205  
D683,329 S \* 5/2013 Hagelin ..... D14/205  
D700,590 S \* 3/2014 Heath ..... D14/205  
D733,090 S \* 6/2015 Petersen ..... D14/205

\* cited by examiner

*Primary Examiner* — Paula Greene

(74) *Attorney, Agent, or Firm* — Capitol City TechLaw

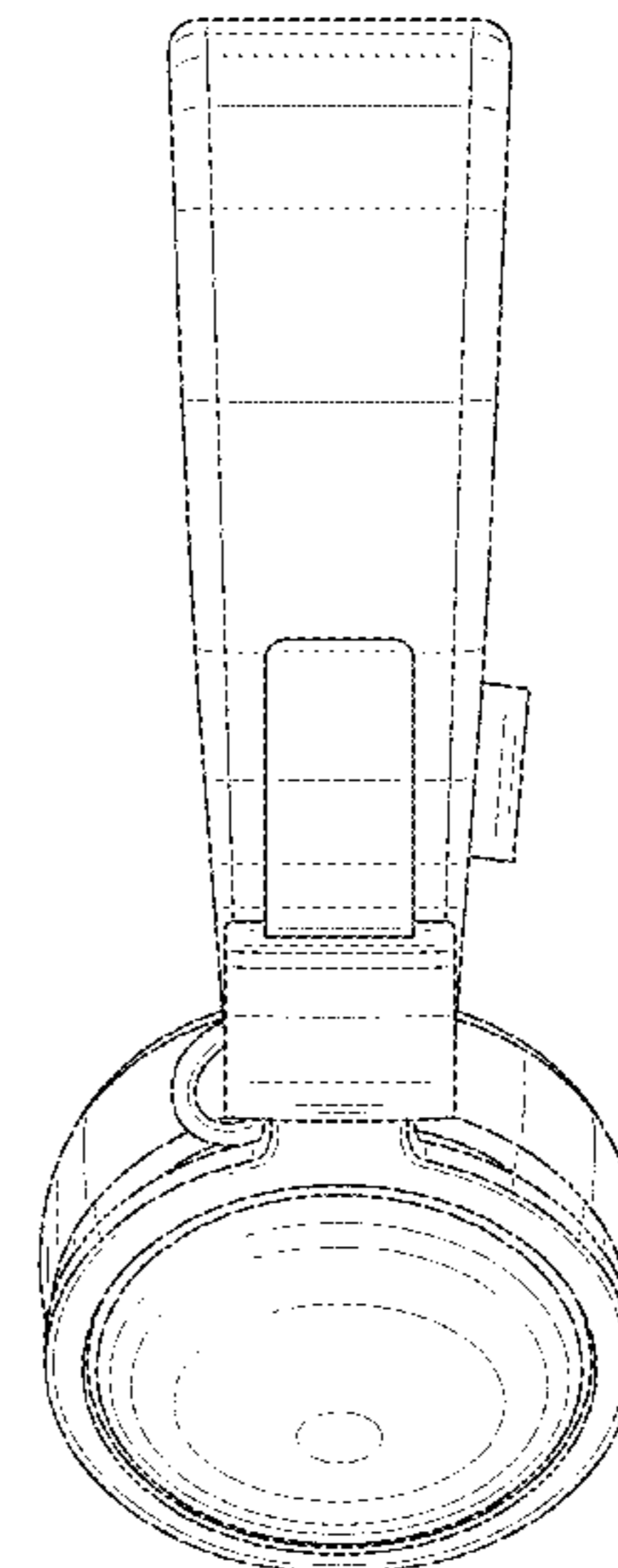
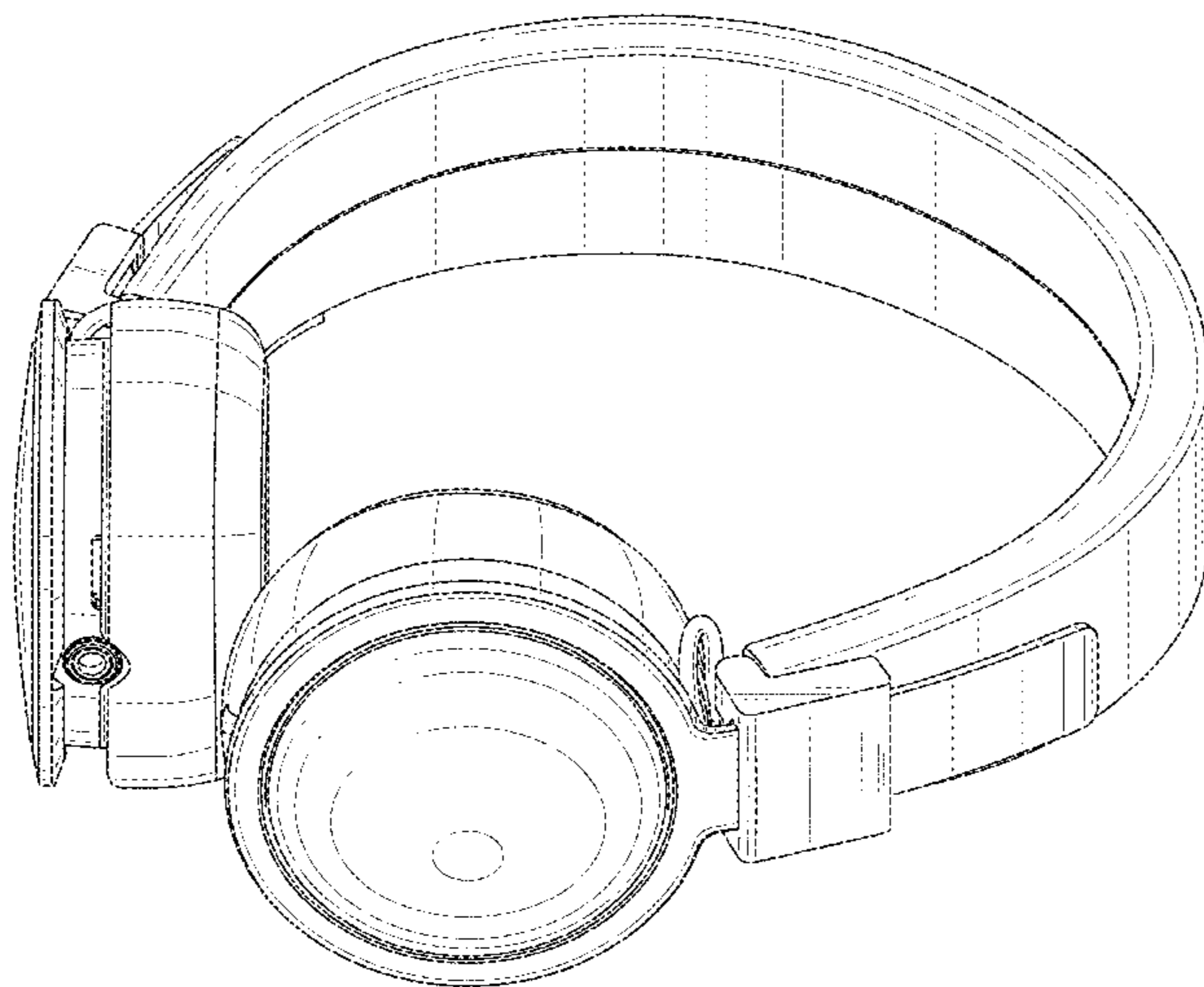
(57) **CLAIM**

The ornamental design for a headphone, as shown and described.

**DESCRIPTION**

FIG. 1 is a front, bottom, and right side perspective view of a headphone showing my new design;  
FIG. 2 is a left side view thereof;  
FIG. 3 is a right side view thereof;  
FIG. 4 is a rear view thereof;  
FIG. 5 is another front, bottom, and right side perspective view thereof;  
FIG. 6 is a top view thereof; and,  
FIG. 7 is a bottom view thereof.

**1 Claim, 7 Drawing Sheets**



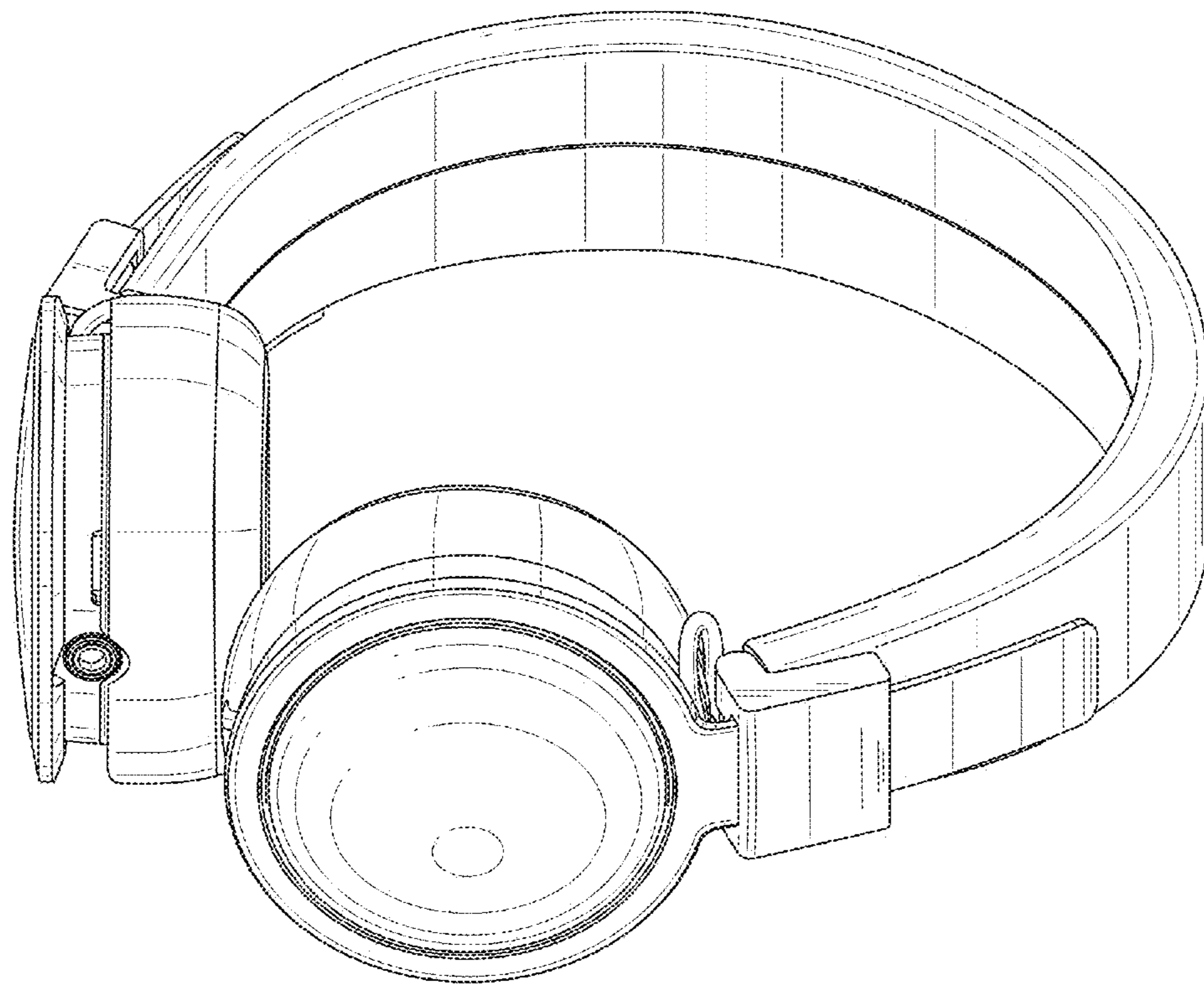


FIG. 1

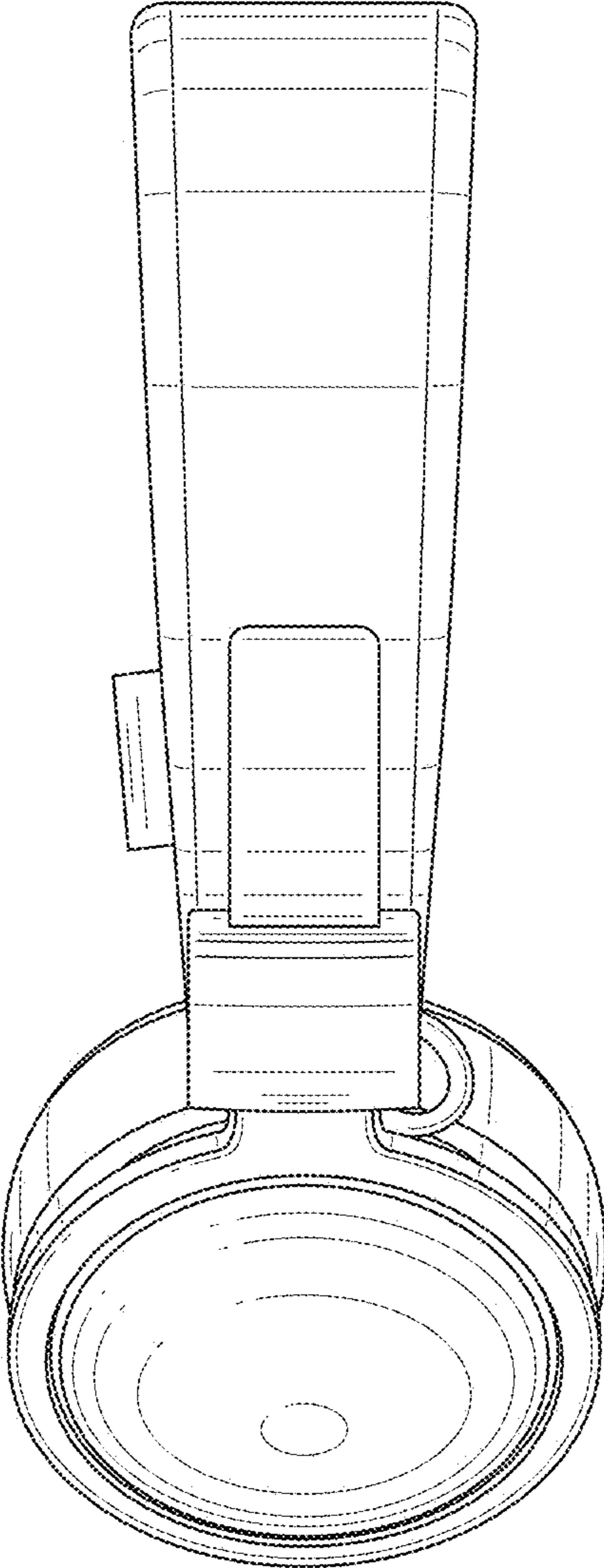


FIG. 2

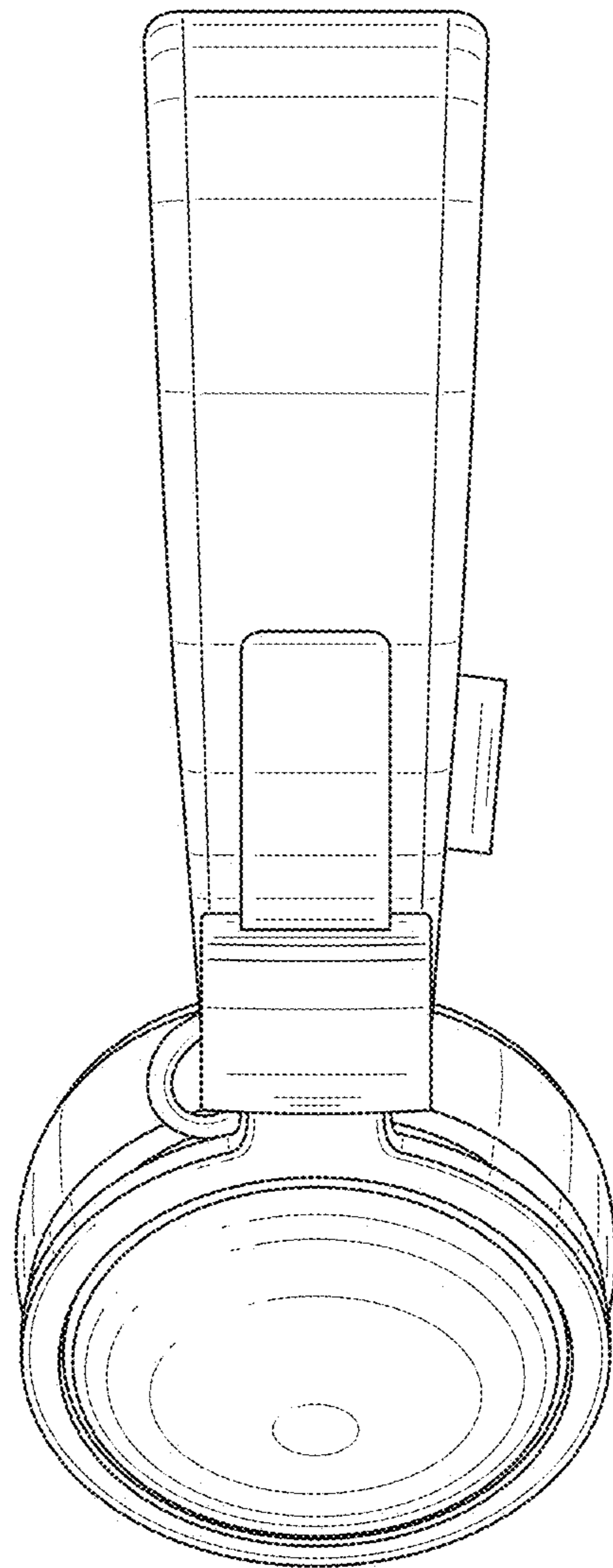


FIG. 3



FIG. 4



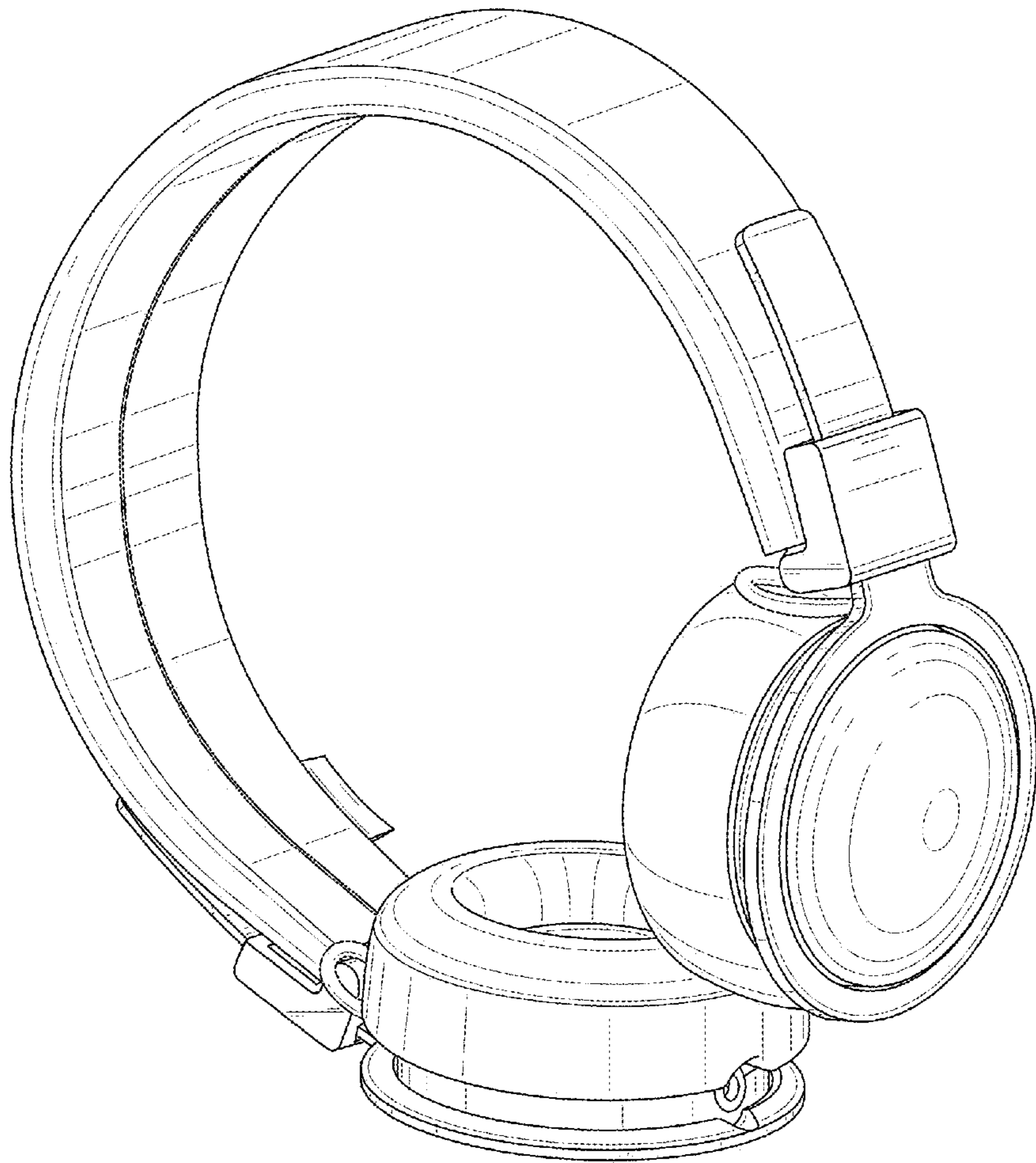


FIG. 5

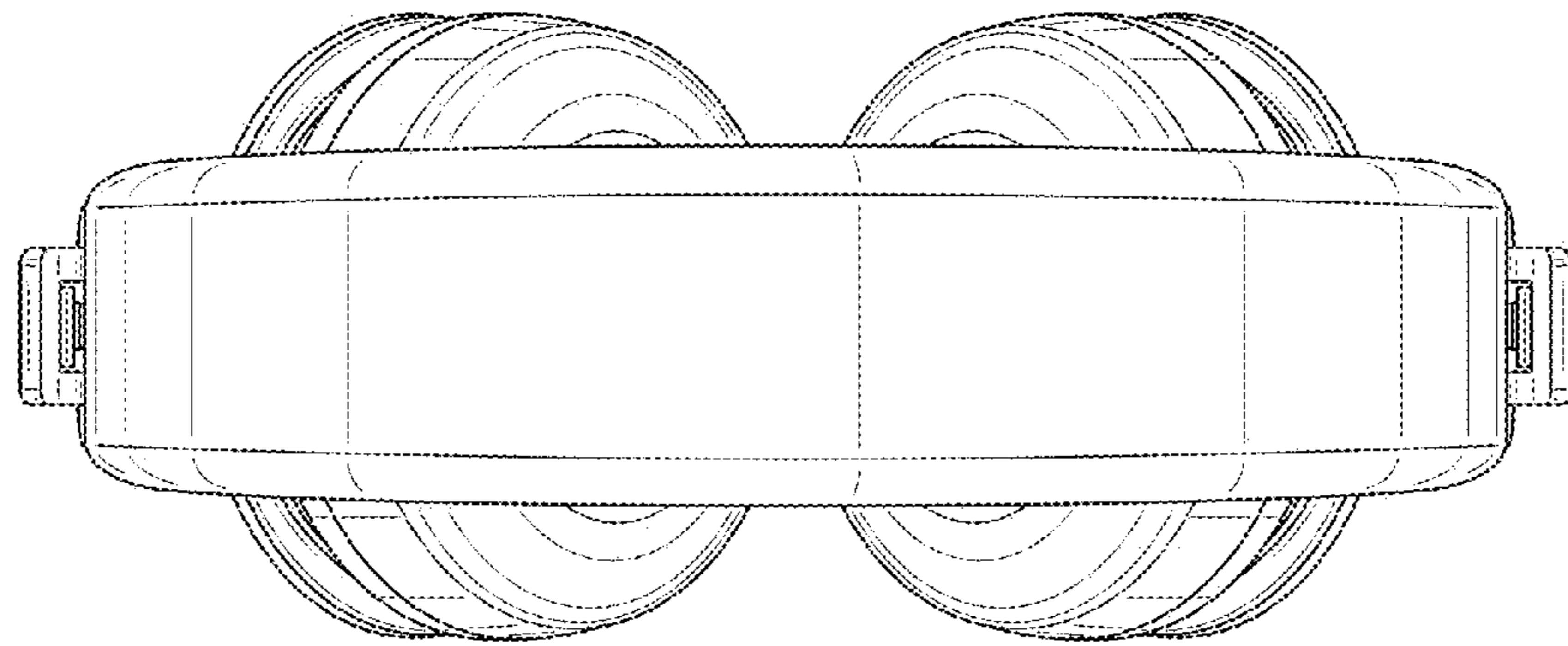


FIG. 6

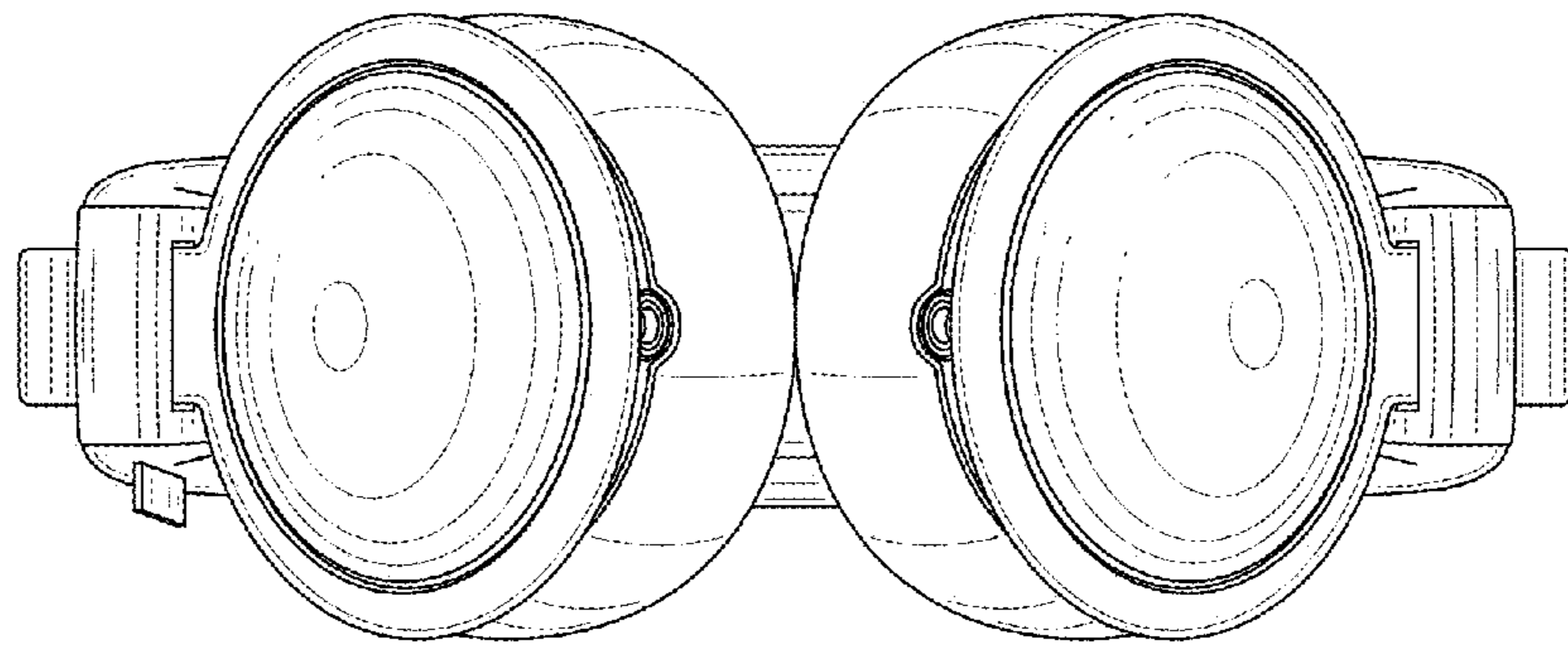


FIG. 7