



US00D758990S

(12) **United States Design Patent**
Jiang

(10) **Patent No.:** **US D758,990 S**
(45) **Date of Patent:** **** Jun. 14, 2016**

(54) **HEADPHONES**

(71) Applicant: **SHENZHEN YUXINXIN ELECTRONICS CO., LTD.**,
Guangdong (CN)

(72) Inventor: **Liu-Quan Jiang**, Guangdong (CN)

(73) Assignee: **Shenzhen Yuxinxin Electronics Co., Ltd.** (CN)

(**) Term: **14 Years**

(21) Appl. No.: **29/500,758**

(22) Filed: **Aug. 28, 2014**

(51) **LOC (10) Cl.** **14-01**

(52) **U.S. Cl.**
USPC **D14/205**

(58) **Field of Classification Search**
USPC D14/205, 206, 188, 192; D29/112;
2/209; 181/129, 130, 135; 379/430,
379/431; 381/380, 381, 374; 455/90.3,
455/575.1

CPC H04R 1/1066
See application file for complete search history.

(56) **References Cited**

U.S. PATENT DOCUMENTS

D301,145 S *	5/1989	Besasio et al.	D14/205
D351,172 S *	10/1994	Nakamura et al.	D14/205
D453,015 S *	1/2002	Yuyama	D14/205
D457,874 S *	5/2002	Yoneda	D14/205
6,980,165 B2 *	12/2005	Yuasa et al.	343/718
7,072,483 B2 *	7/2006	Lenhard-Backhaus	381/383
D549,688 S *	8/2007	Suzuki	D14/205
D632,668 S *	2/2011	Brunner et al.	D14/205
D637,176 S *	5/2011	Brunner et al.	D14/205
D641,727 S *	7/2011	Krauss et al.	D14/206

D657,344 S *	4/2012	Brunner et al.	D14/205
D657,776 S *	4/2012	Lee et al.	D14/205
D660,824 S *	5/2012	Hardi et al.	D14/205
D662,080 S *	6/2012	Carr et al.	D14/205
D662,490 S *	6/2012	McSweyn	D14/205
D663,716 S *	7/2012	Hardi et al.	D14/205
D667,647 S *	9/2012	Klimoski	D6/349
D672,745 S *	12/2012	Abed et al.	D14/205
D673,519 S *	1/2013	Tan	D14/205
D673,520 S *	1/2013	Tan	D14/205
D677,242 S *	3/2013	Lee et al.	D14/205
D677,647 S *	3/2013	Lee et al.	D14/205
D689,843 S *	9/2013	Lee	D14/205
D690,682 S *	10/2013	Iacovelli et al.	D14/205
D707,200 S *	6/2014	Yang	D14/205
D722,302 S *	2/2015	Lee et al.	D14/205
D727,997 S *	4/2015	Utsunomiya et al.	D16/230

* cited by examiner

Primary Examiner — Paula Greene

(74) *Attorney, Agent, or Firm* — Garcia-Zamor IP Law; Ruy M. Garcia-Zamor

(57) **CLAIM**

The ornamental design for a headphones, as shown and described.

DESCRIPTION

FIG. 1 is a perspective view of the headphones showing my new design;

FIG. 2 is a front elevational view thereof;

FIG. 3 is a rear front elevational view thereof;

FIG. 4 is a left side elevational view thereof;

FIG. 5 is a right side elevational view thereof;

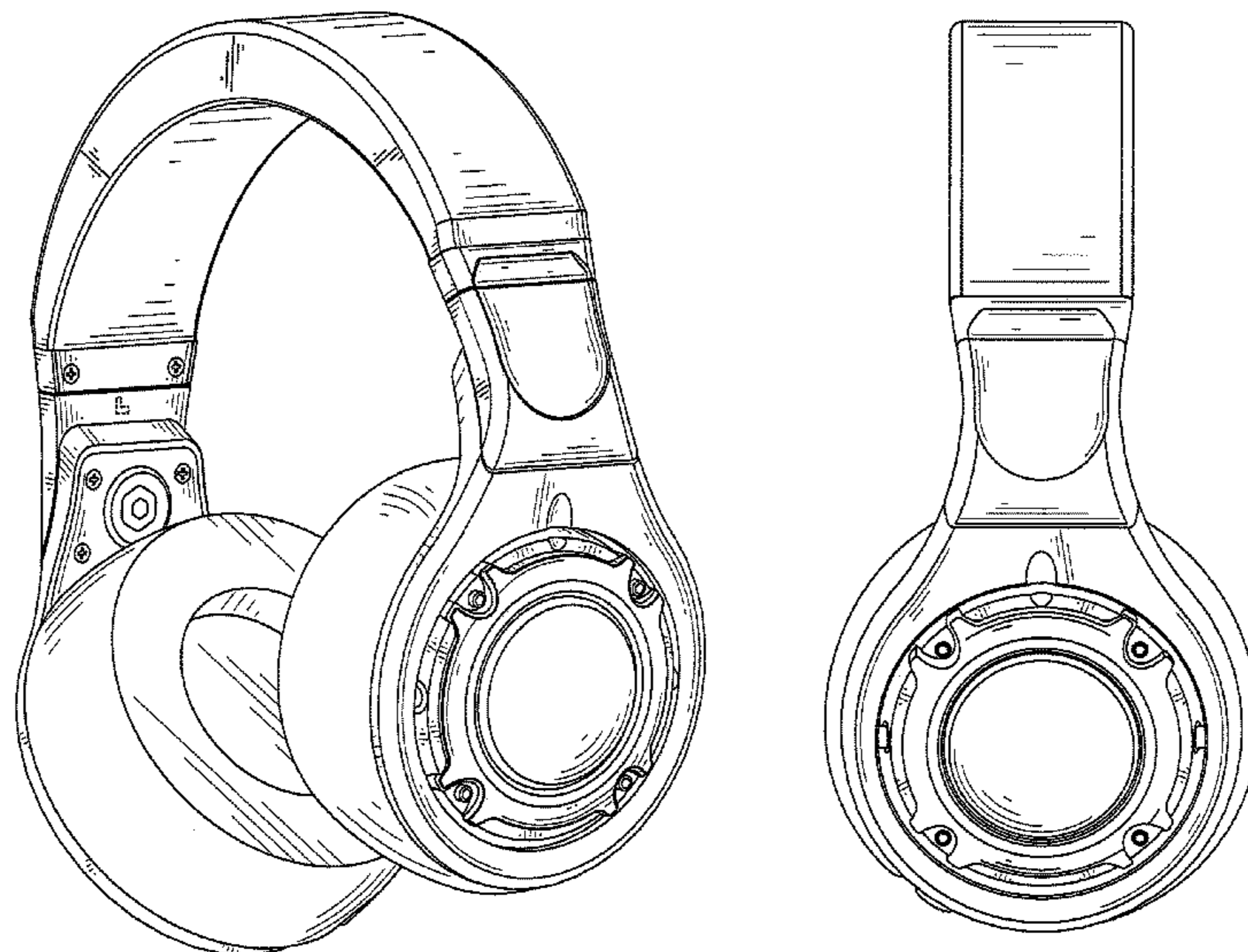
FIG. 6 is a top plan view thereof; and,

FIG. 7 is a bottom plan view thereof.

The opposite front face of the ear cushion is a mirror image of the cushion shown in FIG. 1.

The broken lines form no part of the claimed design.

1 Claim, 7 Drawing Sheets



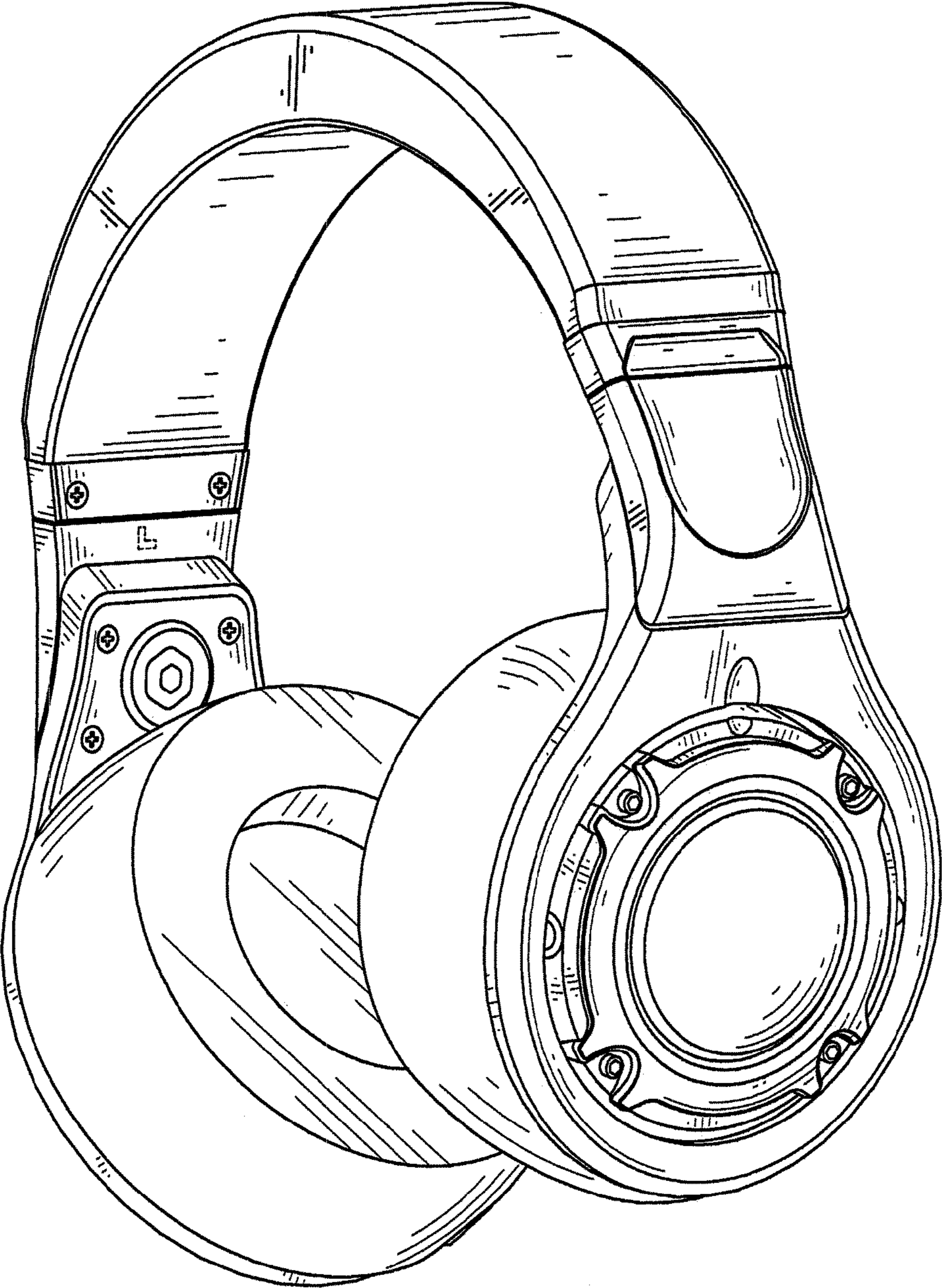


FIG. 1

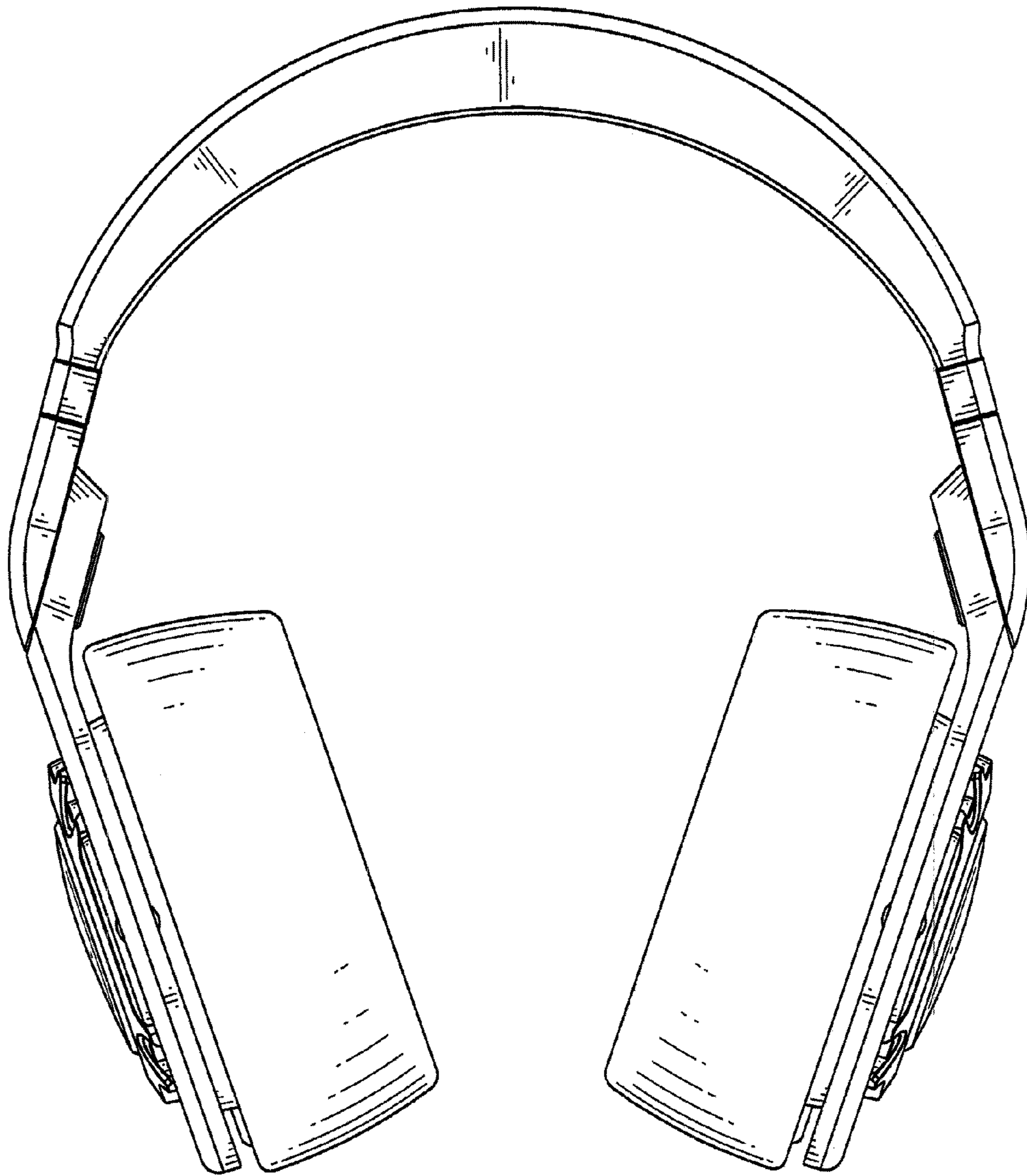


FIG. 2

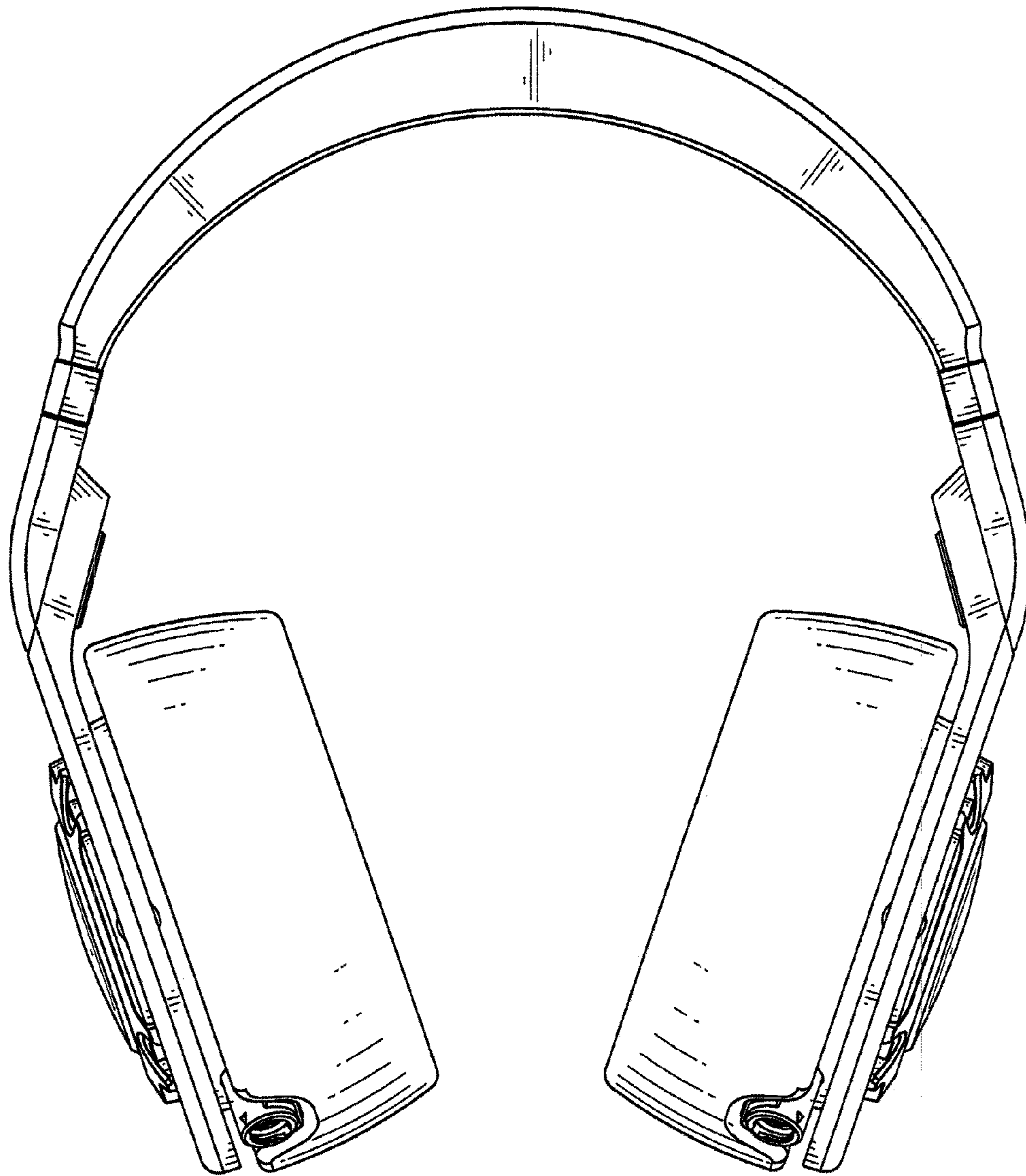


FIG. 3

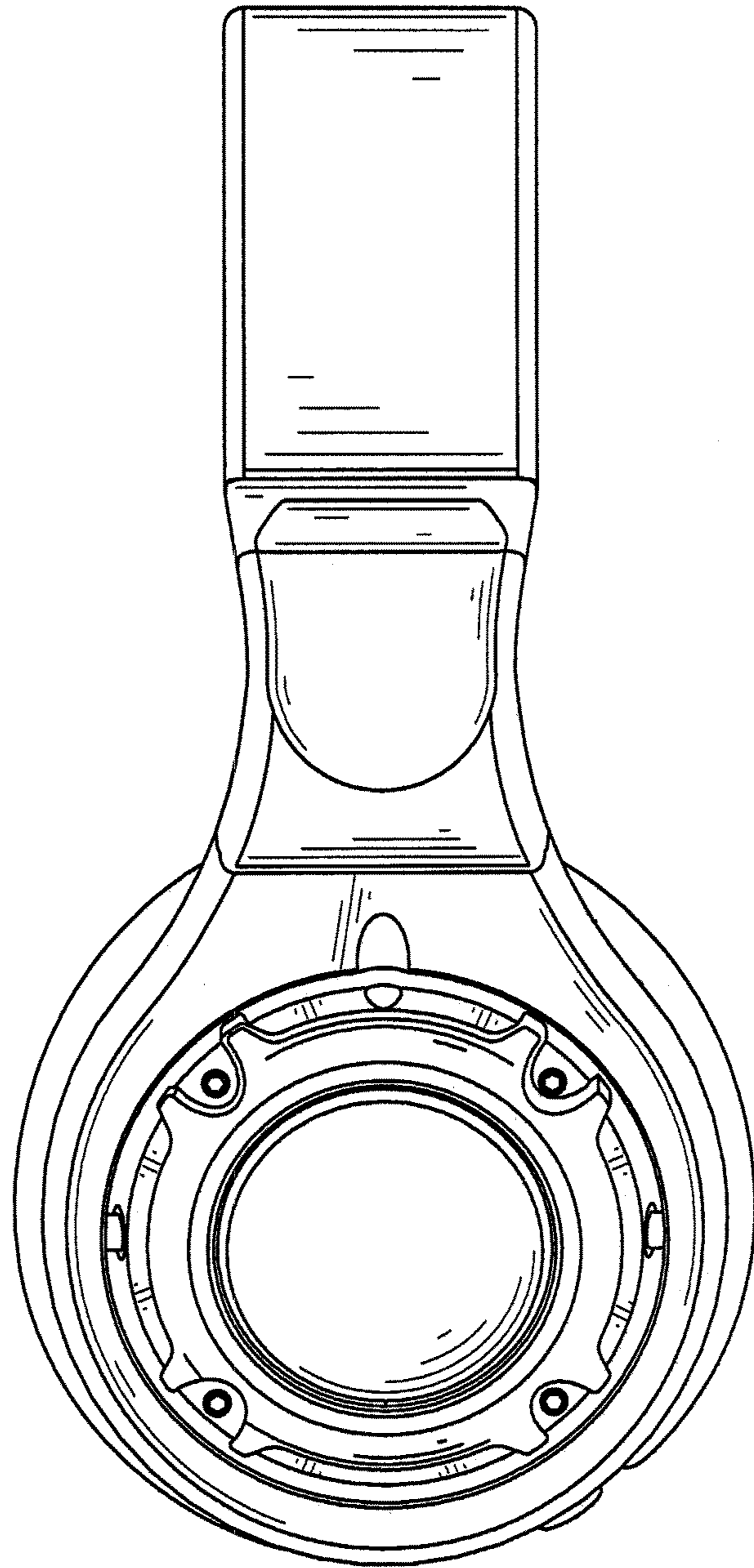


FIG. 4

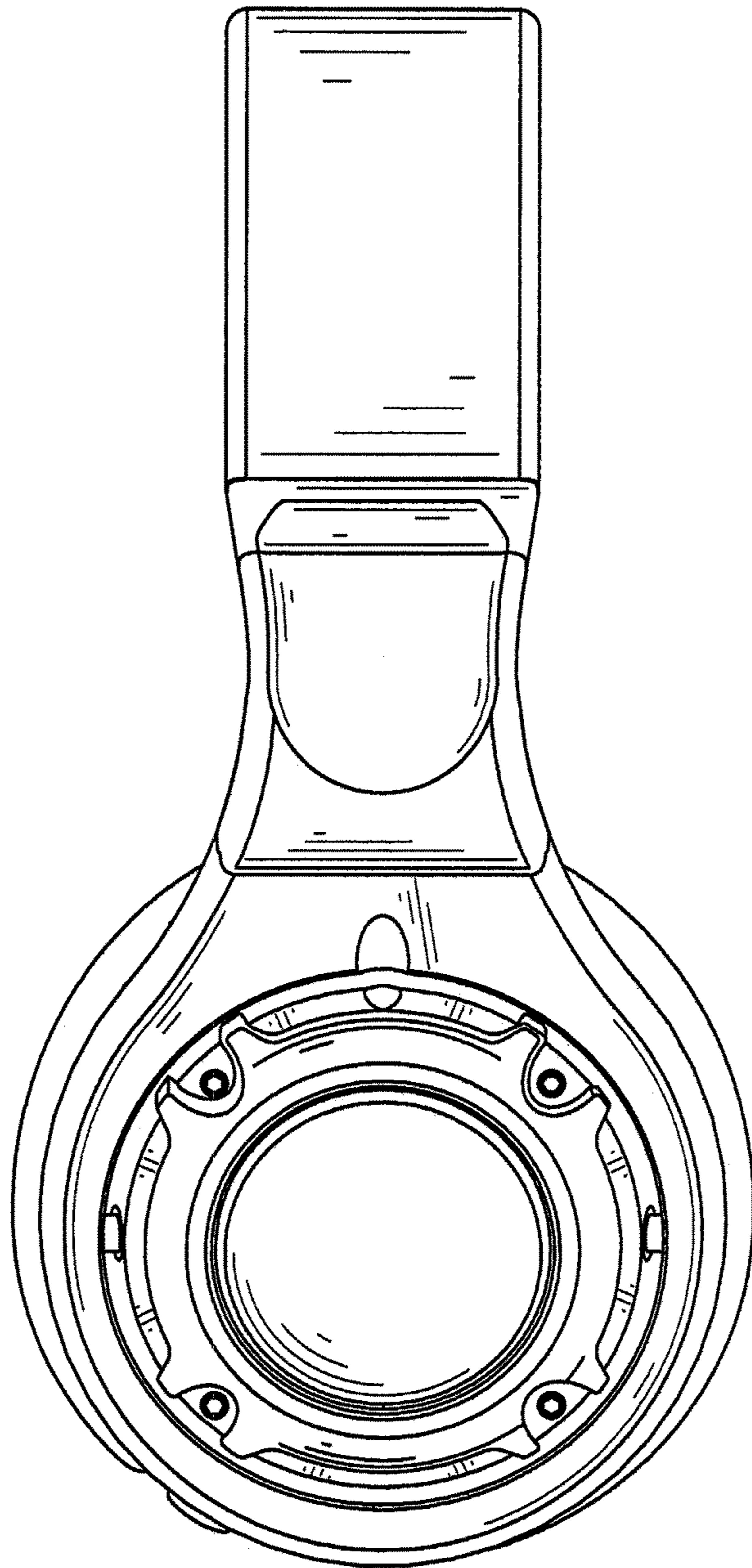


FIG. 5

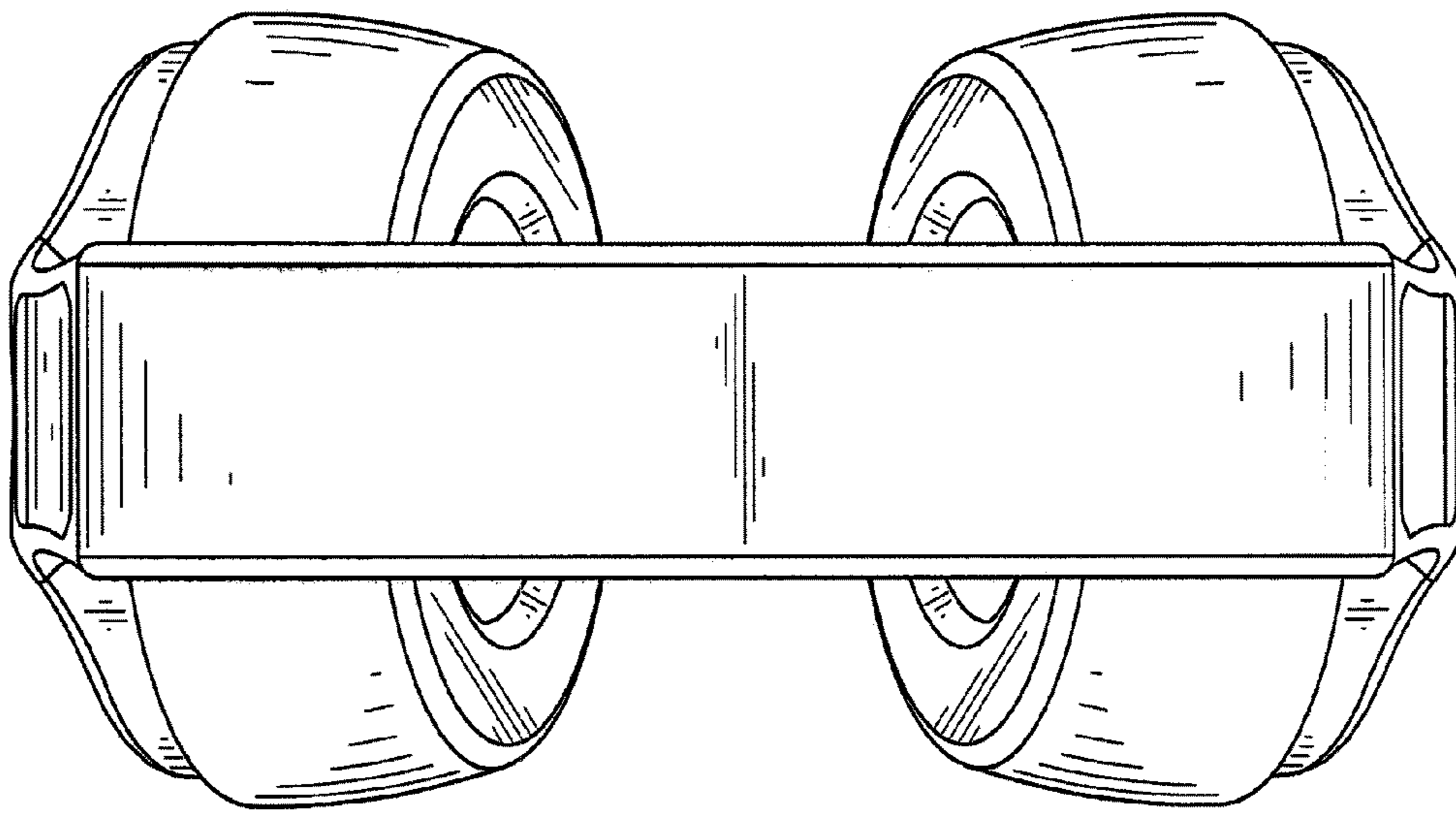


FIG. 6

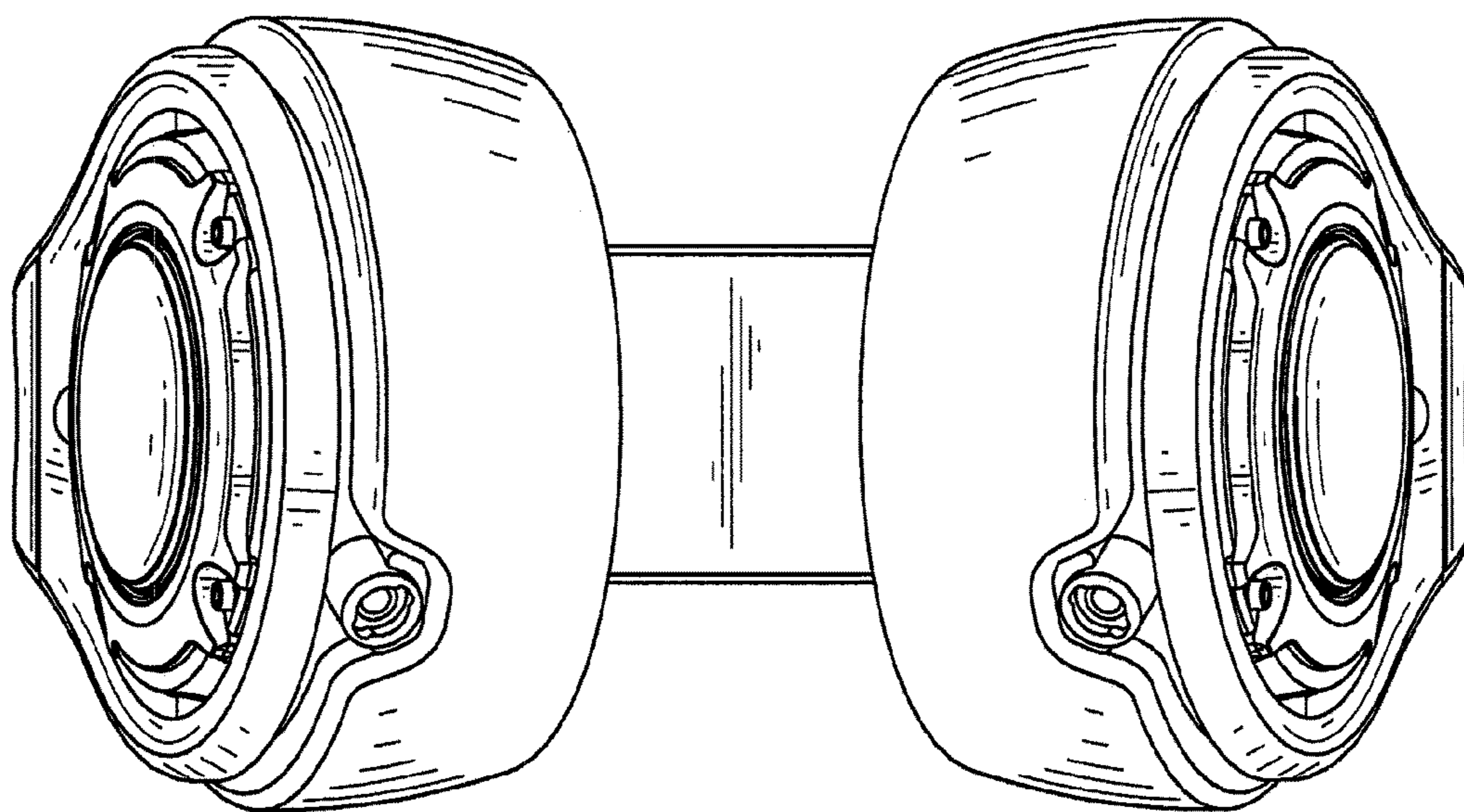


FIG. 7