



US00D758989S

(12) **United States Design Patent**
Vogt, Jr. et al.

(10) **Patent No.:** **US D758,989 S**
(45) **Date of Patent:** **** Jun. 14, 2016**

(54) **PORTABLE SPEAKER**
(71) Applicant: **Skullcandy, Inc.**, Park City, UT (US)
(72) Inventors: **David G. Vogt, Jr.**, Salt Lake City, UT (US); **Peter M. Kelly**, Park City, UT (US); **Lucas Wright-Moore**, Salt Lake City, UT (US)

D554,614 S * 11/2007 Lin D14/509
7,395,090 B2 7/2008 Alden
D577,356 S * 9/2008 Moon D14/168
D623,627 S 9/2010 Alden et al.
D624,057 S 9/2010 Kelly et al.
D641,003 S 7/2011 Alden
8,014,824 B2 9/2011 Alden

(Continued)

(73) Assignee: **Skullcandy, Inc.**, Park City, UT (US)

(**) Term: **14 Years**

(21) Appl. No.: **29/497,636**

(22) Filed: **Jul. 25, 2014**

(51) **LOC (10) Cl.** **14-01**

(52) **U.S. Cl.**
USPC **D14/204**

(58) **Field of Classification Search**
USPC D3/20, 200, 201, 273; D7/601, 602,
D7/615, 629, 630; D9/414, 420, 423, 435;
D14/168, 188, 203.1, 204, 210, 212,
D14/215, 216, 221; 181/143, 144, 147, 148,
181/150, 153, 157, 198, 199; 381/300-303,
381/306, 332, 333, 336, 345, 361-364,
381/386-388; 369/6-12
CPC H04R 1/02; H04R 1/021; H04R 1/023;
H04R 5/00; H04R 9/06; H04R 2420/07
See application file for complete search history.

(56) **References Cited**

U.S. PATENT DOCUMENTS

D189,003 S * 10/1960 Miller D9/423
D215,675 S * 10/1969 Yran D13/114
D324,997 S * 3/1992 Jones D28/82
D382,307 S * 8/1997 Sharpe, III D14/188
D460,692 S * 7/2002 Cumberbatch D9/504
7,187,948 B2 3/2007 Alden
D543,350 S * 5/2007 Sanderson D3/201

FOREIGN PATENT DOCUMENTS

CA 2515558 A1 2/2007
CA 2697029 A1 2/2007

(Continued)

Primary Examiner — Derrick Holland

Assistant Examiner — Janice Lim

(74) *Attorney, Agent, or Firm* — TraskBritt

(57) **CLAIM**

The ornamental design for a portable speaker, as shown and described.

DESCRIPTION

FIG. 1 is a perspective view of a portable speaker, showing our new design.

FIG. 2 is a top plan view of the portable speaker shown in FIG. 1.

FIG. 3 is a bottom plan view of the portable speaker shown in FIG. 1.

FIG. 4 is a front view of the portable speaker shown in FIG. 1.

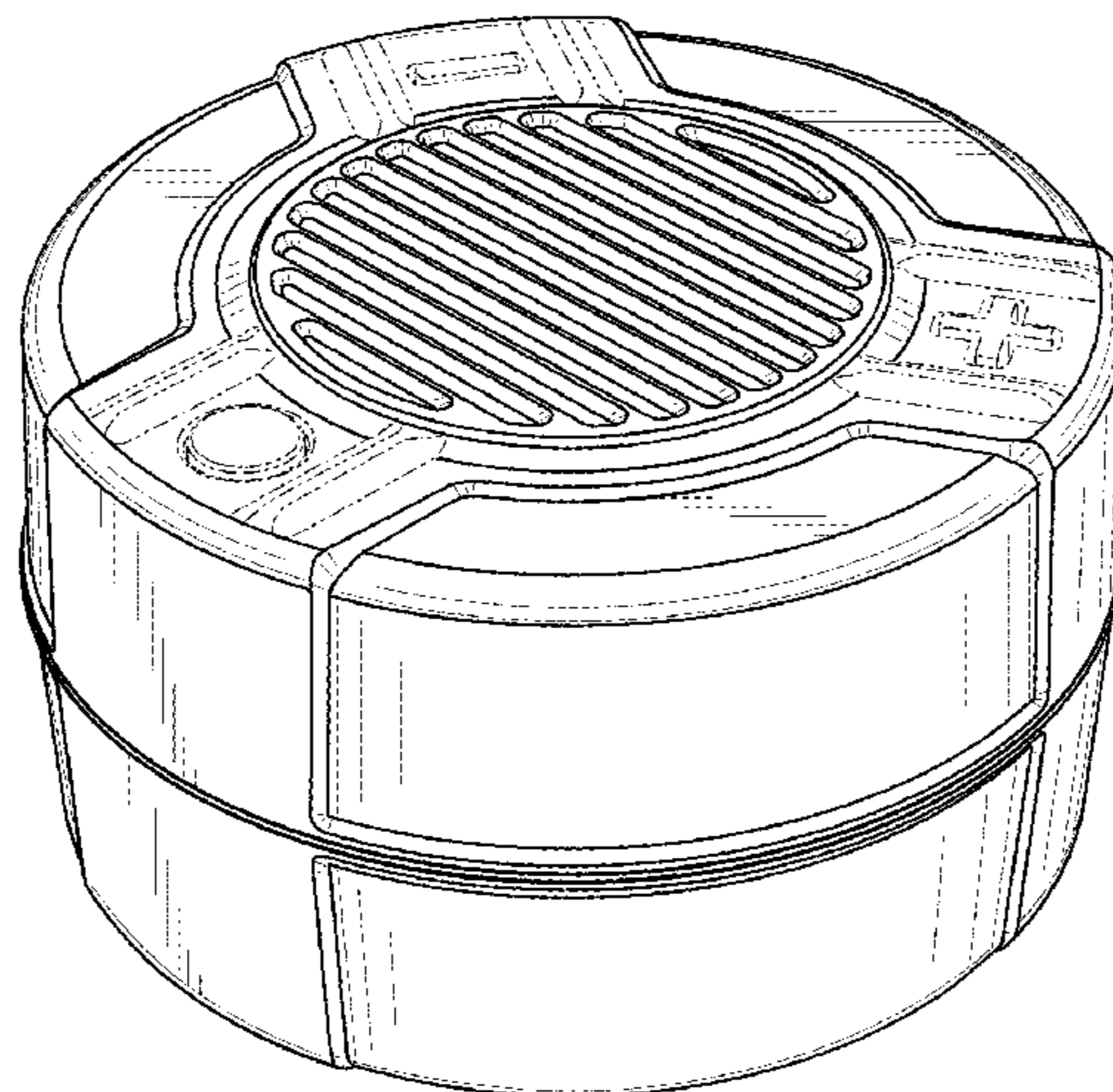
FIG. 5 is a back view of the portable speaker shown in FIG. 1.

FIG. 6 is a left side view of the portable speaker shown in FIG. 1; and,

FIG. 7 is a right side view of the portable speaker shown in FIG. 1.

The broken line portions of FIGS. 1-7 are included to show unclaimed subject matter only and no part of the claimed design.

1 Claim, 5 Drawing Sheets



(56)

References Cited

U.S. PATENT DOCUMENTS

D650,356 S	12/2011	Alden et al.	
D656,129 S	3/2012	Kelly et al.	
D665,776 S	8/2012	Alden et al.	
D665,777 S	8/2012	Alden et al.	
D671,528 S *	11/2012	Fathollahi	D14/211
D673,136 S	12/2012	Kelly et al.	
D673,140 S	12/2012	Kelly et al.	
D674,372 S	1/2013	Kelly et al.	
D674,376 S	1/2013	Kelly et al.	
D676,023 S	2/2013	Kelly et al.	
D676,024 S	2/2013	Kelly et al.	
D677,241 S	3/2013	Kelly et al.	
D683,717 S	6/2013	Kelly et al.	
8,457,557 B2	6/2013	Alden	
D685,759 S	7/2013	Kelly et al.	
D685,767 S	7/2013	Kelly et al.	
8,515,115 B2	8/2013	Kelly et al.	
D689,464 S	9/2013	Bonahoom et al.	
8,542,859 B2	9/2013	Alden	
D691,582 S	10/2013	Nguyen et al.	
D693,793 S	11/2013	Kelly et al.	
D699,216 S	2/2014	Bonahoom et al.	

D701,193 S	3/2014	Kelly et al.
D701,196 S	3/2014	Kelly et al.
D701,197 S	3/2014	Kelly et al.
D707,654 S	6/2014	Nguyen et al.
2012/0275615 A1	11/2012	Kelly et al.
2013/0118944 A1	5/2013	Niuro et al.
2013/0130540 A1	5/2013	Oman et al.
2013/0177165 A1	7/2013	Oishi
2013/0177195 A1	7/2013	Sze et al.
2013/0185905 A1	7/2013	Stiff et al.
2013/0208909 A1	8/2013	Mülder et al.
2013/0336514 A1	12/2013	Kelly et al.
2014/0056459 A1	2/2014	Oishi et al.
2014/0270228 A1	9/2014	Oishi et al.
2014/0270230 A1	9/2014	Oishi et al.

FOREIGN PATENT DOCUMENTS

EP	1760896 A1	3/2007
EP	2262117 A1	12/2010
WO	2010068495 A2	6/2010
WO	2010124190 A2	10/2010
WO	2011085096 A2	7/2011
WO	2012024656 A2	2/2012

* cited by examiner

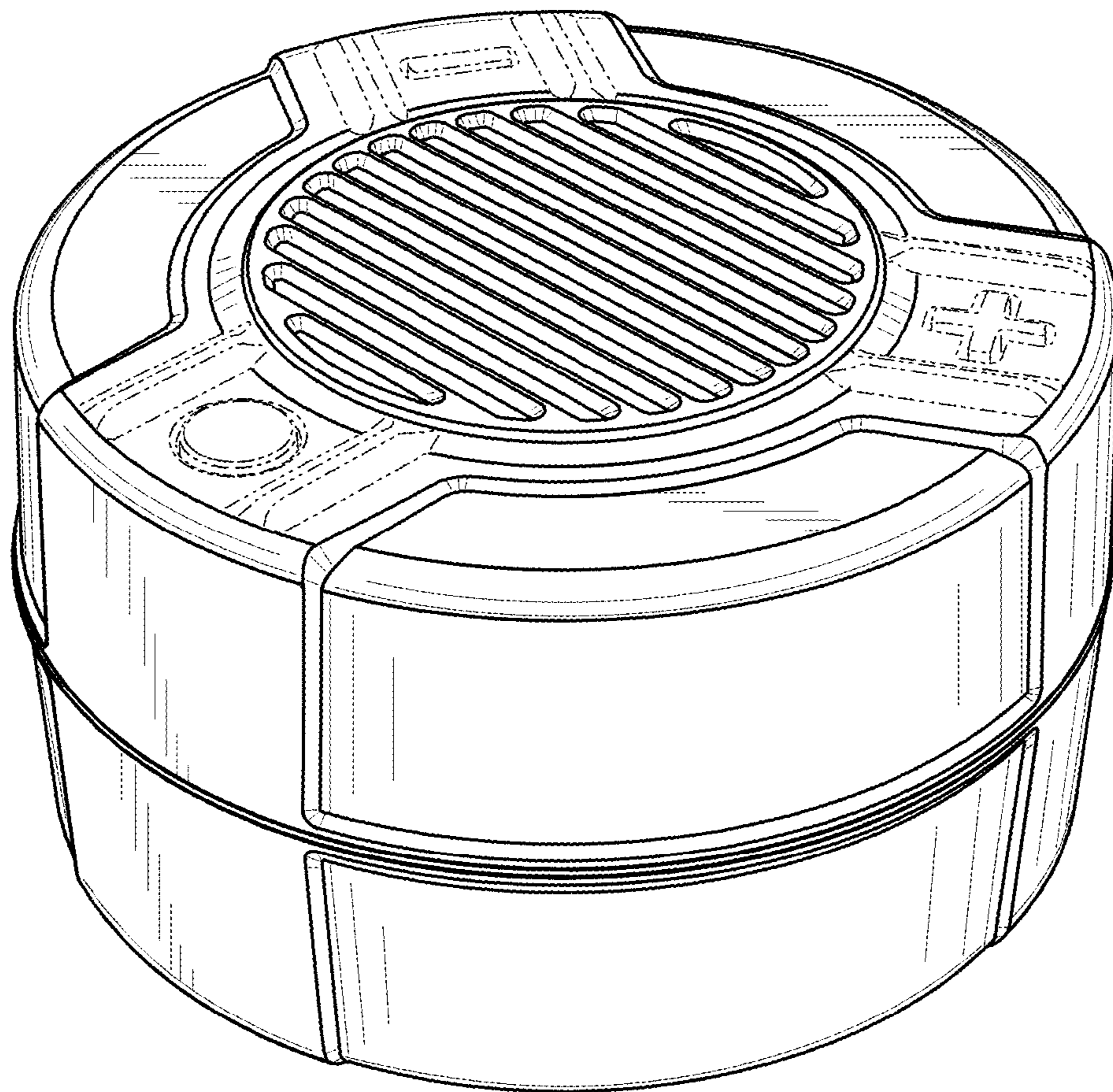


FIG. 1

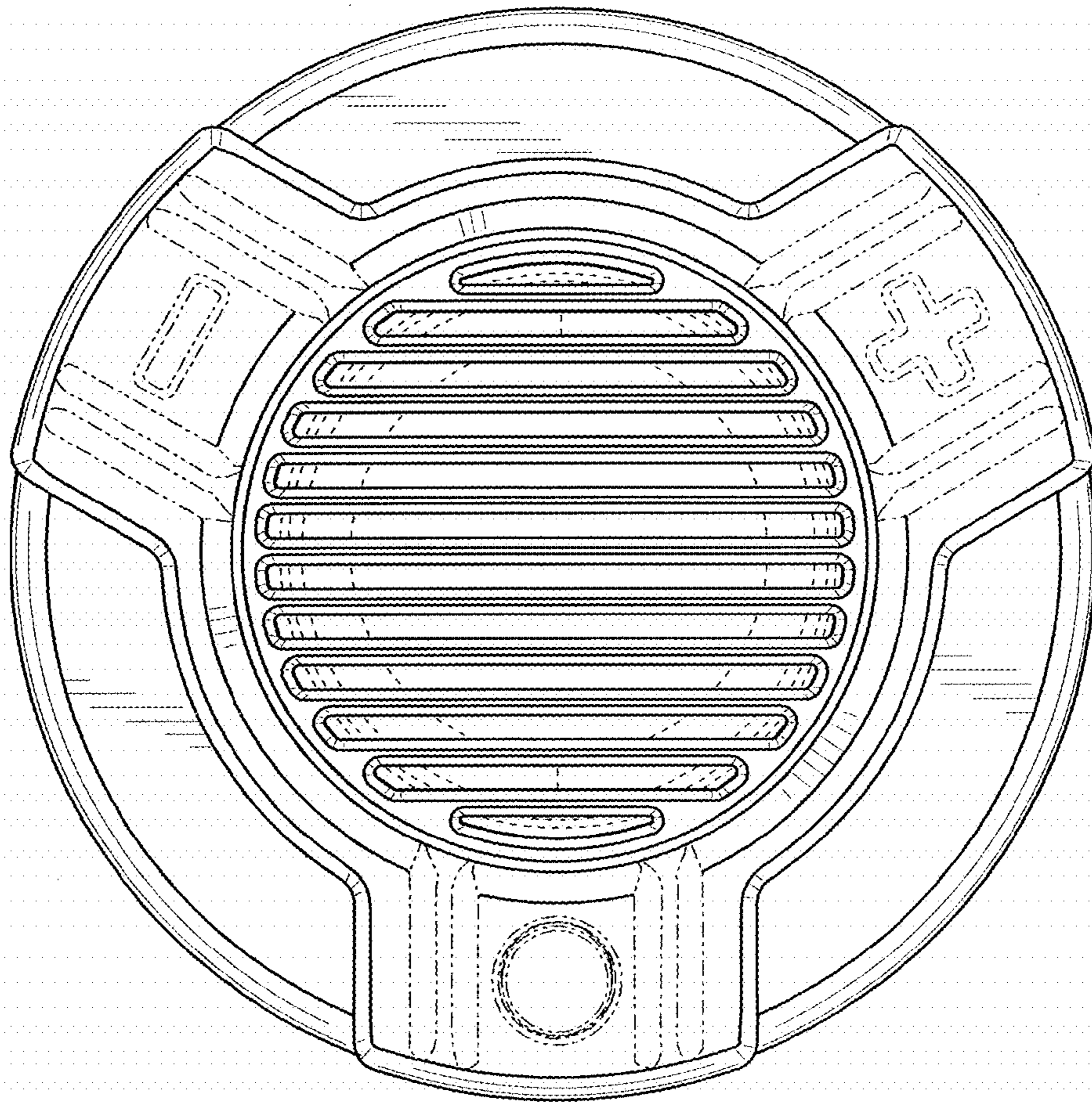


FIG. 2

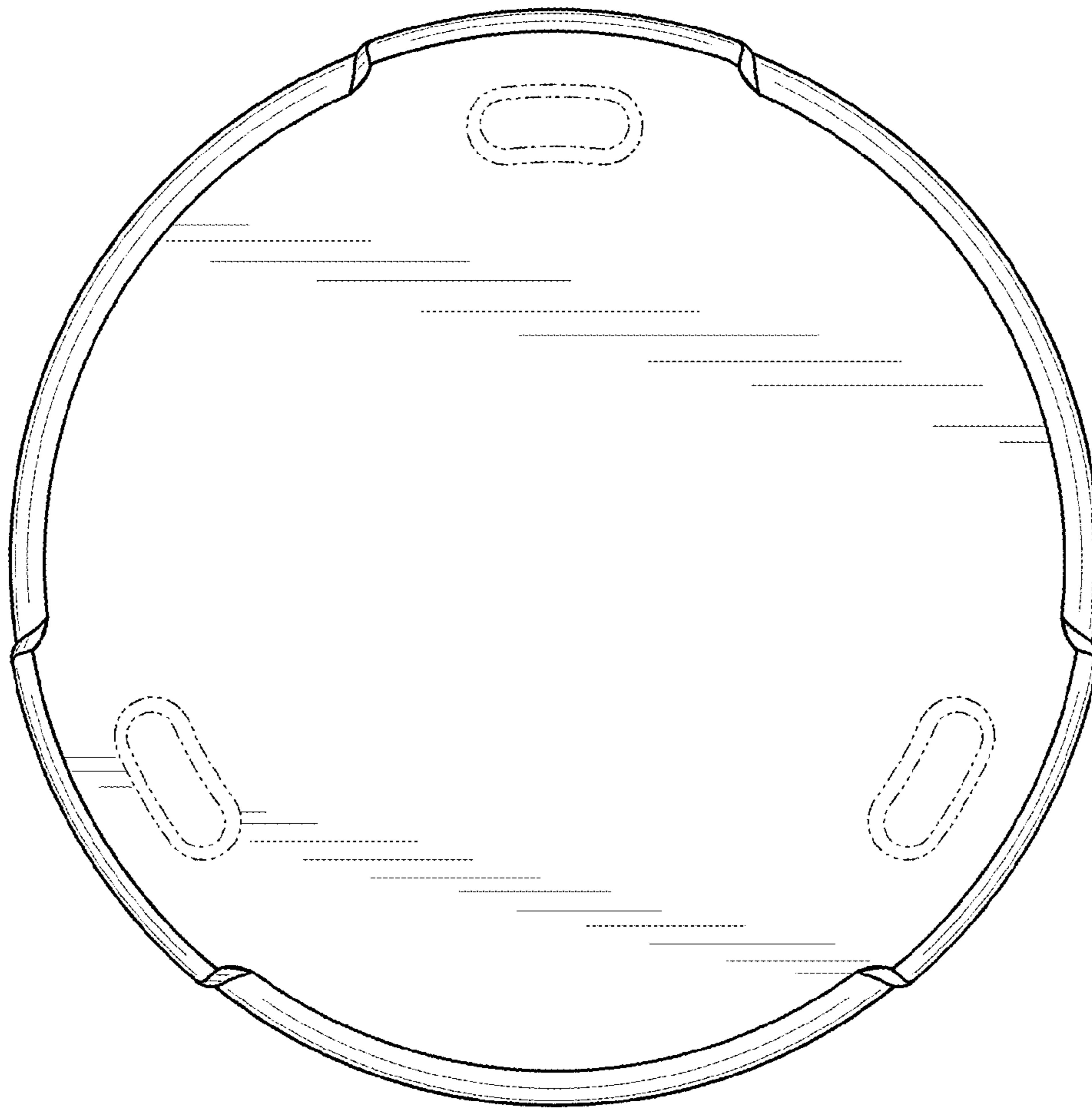


FIG. 3

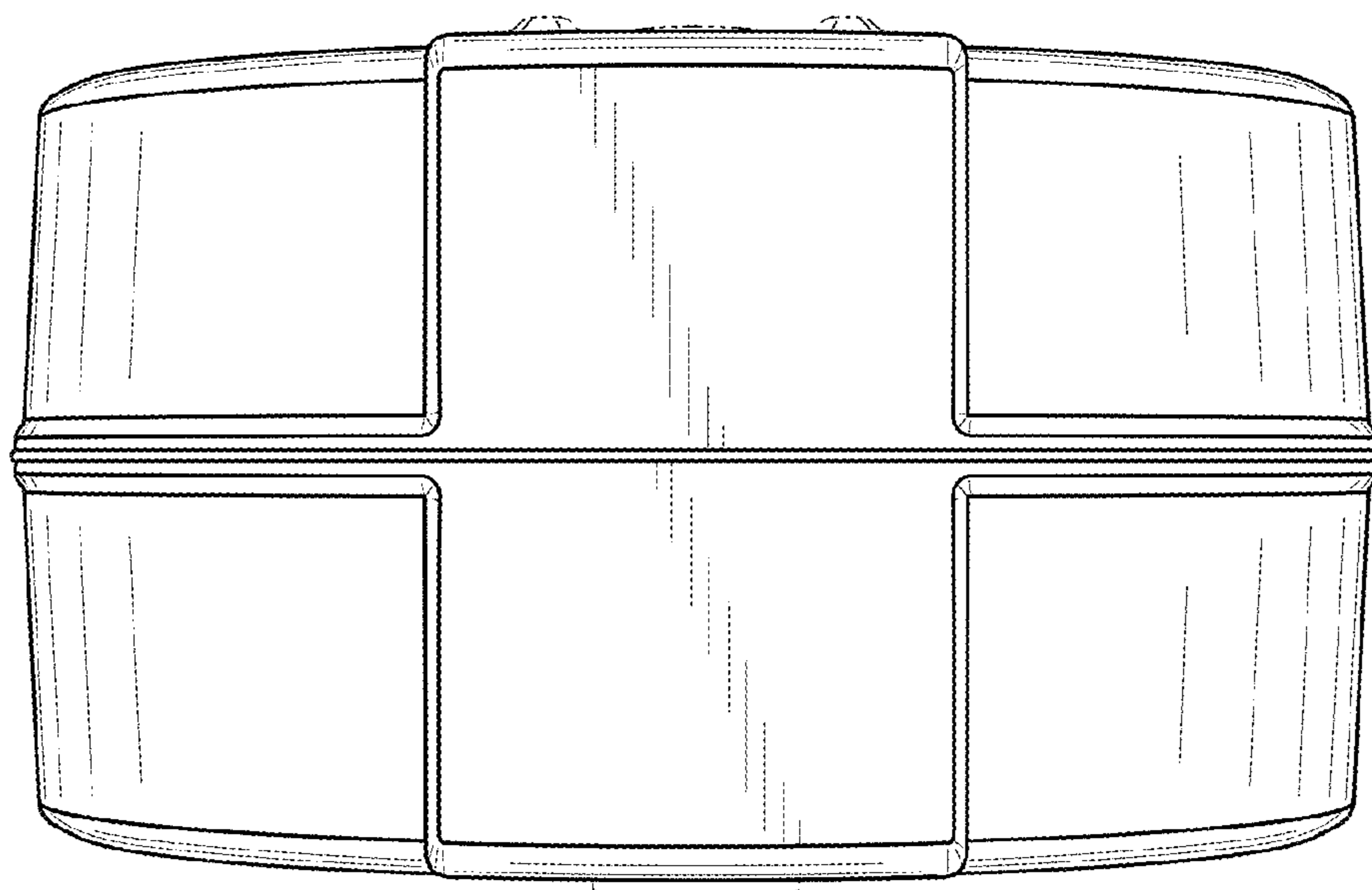


FIG. 4

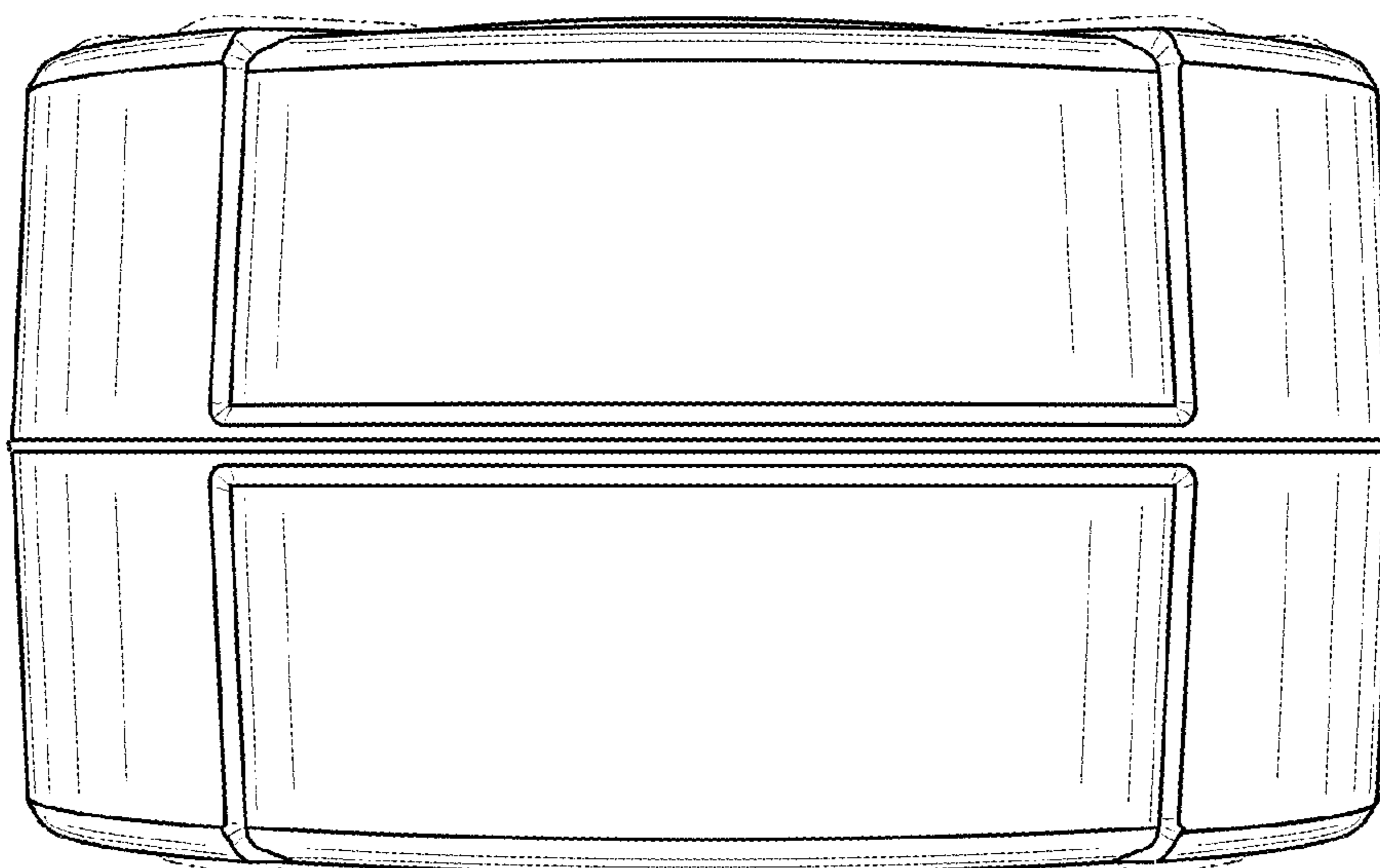


FIG. 5

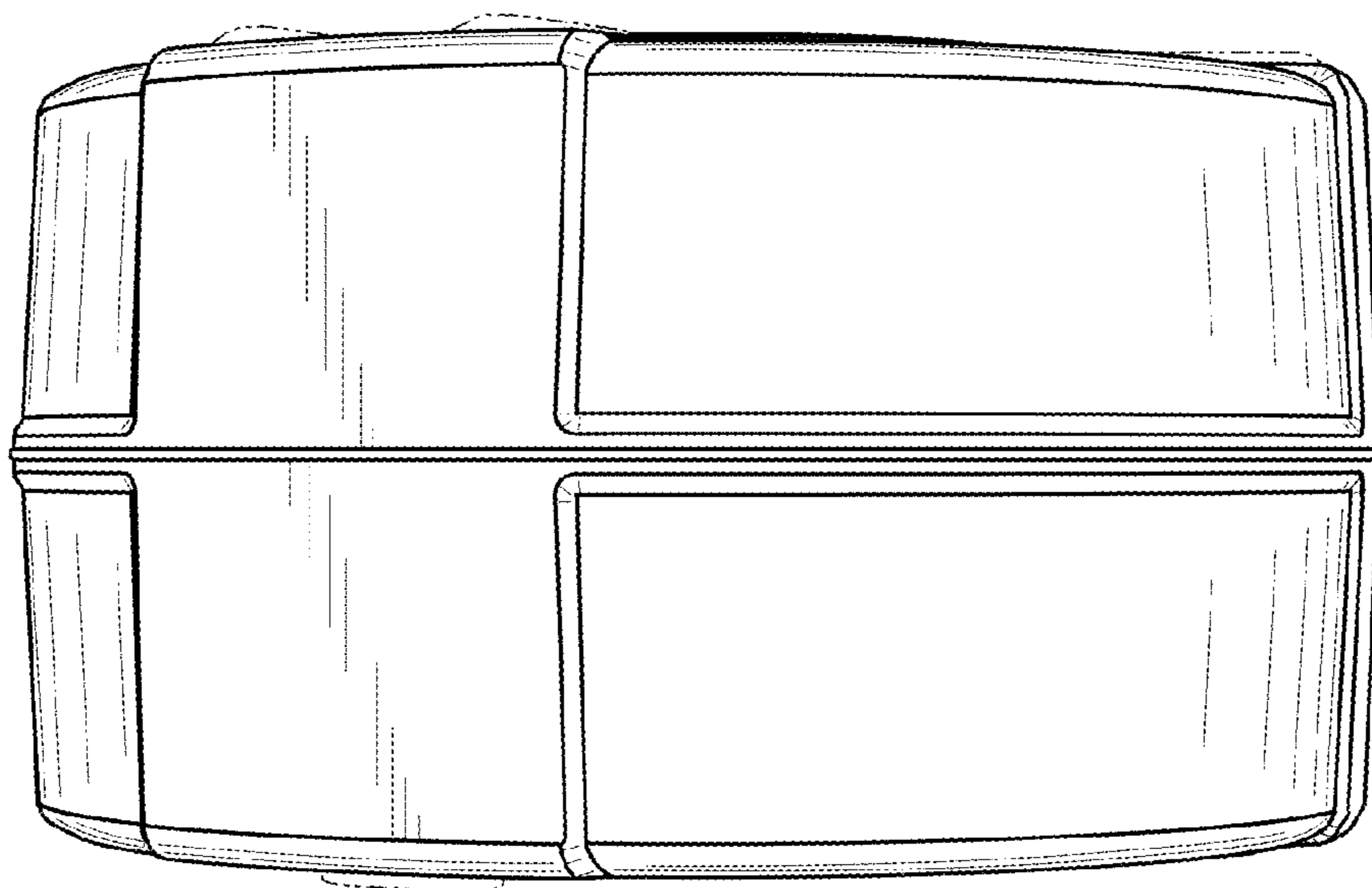


FIG. 6

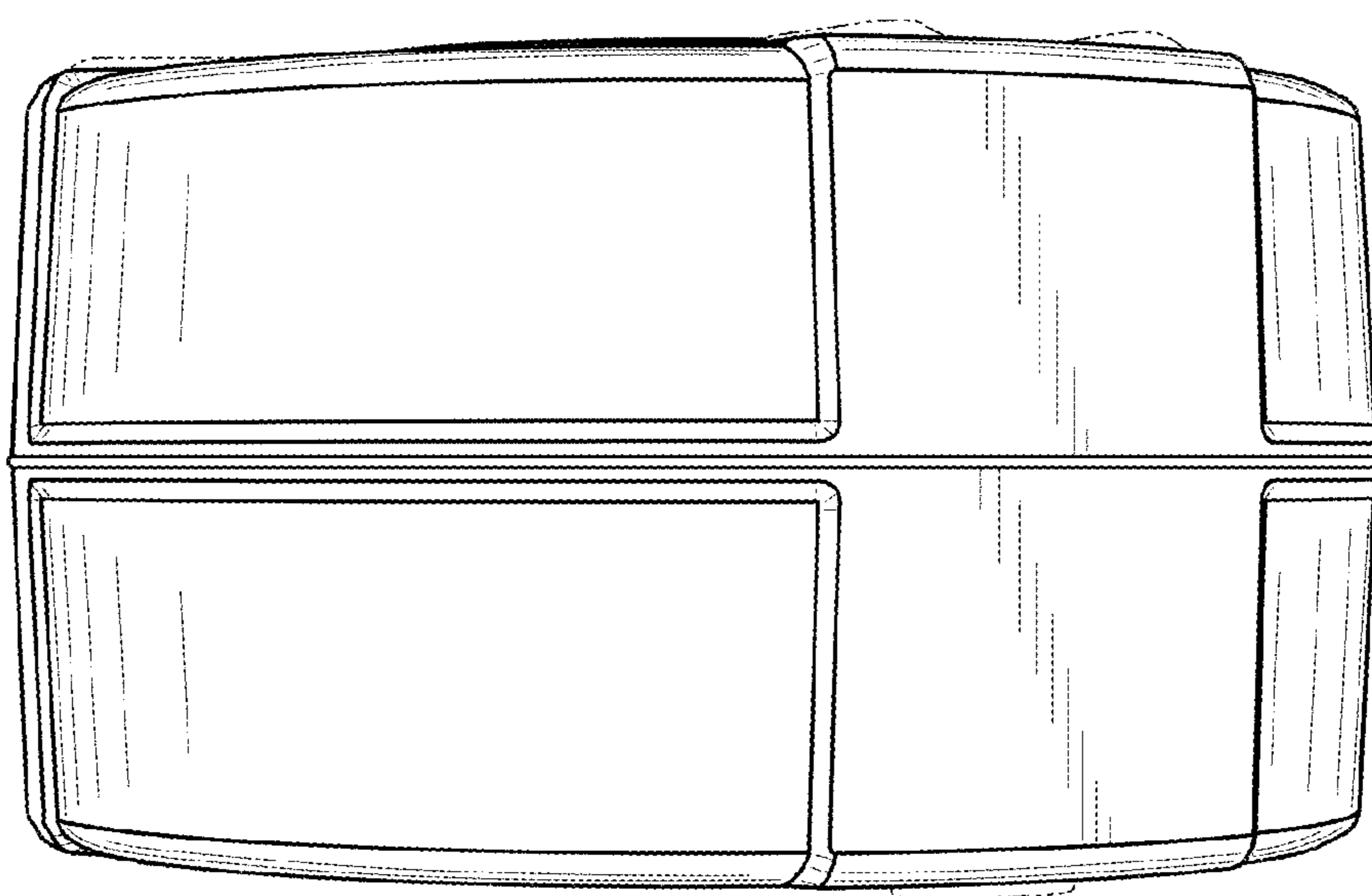


FIG. 7