

US00D758984S

(12) **United States Design Patent**
Maxwell et al.

(10) **Patent No.:** **US D758,984 S**
(45) **Date of Patent:** **** Jun. 14, 2016**

(54) **VIDEO PHONE SET**

(71) Applicant: **Sorenson Communications, Inc.**, Salt Lake City, UT (US)

(72) Inventors: **Conrad Arlo Maxwell**, Herriman, UT (US); **Eric V. Winsor**, West Jordan, UT (US); **Mark David Nelson**, West Jordan, UT (US); **Merle L. Walker**, Sandy, UT (US); **Brent Carlen Giles**, Salt Lake City, UT (US); **Elie Mathias Monge**, San Francisco, CA (US); **Sean Patrick Murphy**, San Francisco, CA (US); **Shannon Colleen Fong**, San Francisco, CA (US); **Alice Viola Pintus**, Milan (IT); **Thomas Mitchell Dair**, Lafayette, CA (US)

(73) Assignee: **Sorenson Communications, Inc.**, Salt Lake City, UT (US)

(**) Term: **14 Years**

(21) Appl. No.: **29/518,646**

(22) Filed: **Feb. 25, 2015**

(51) **LOC (10) Cl.** **14-03**

(52) **U.S. Cl.**
USPC **D14/130; D16/208; D14/140.11**

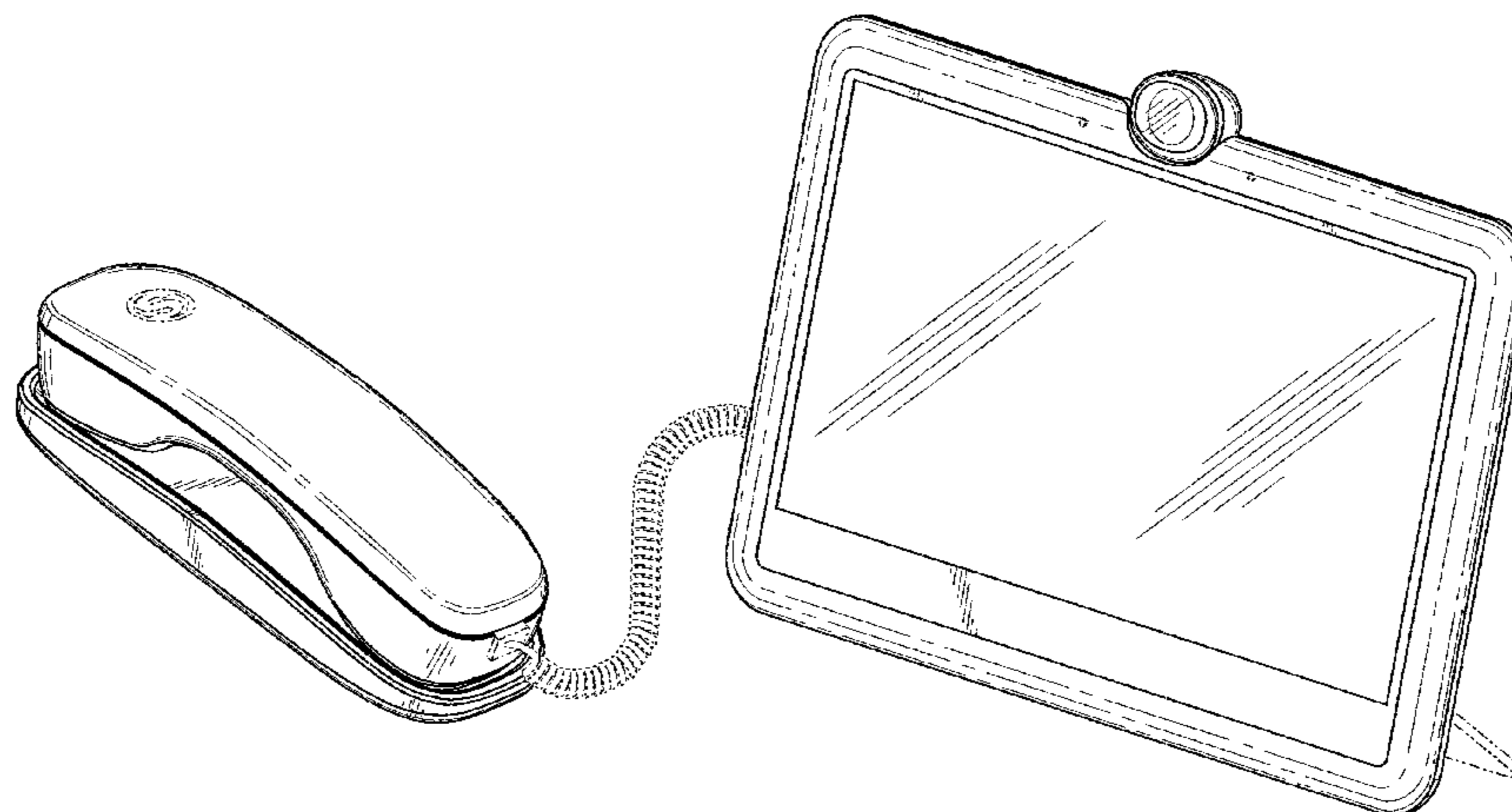
(58) **Field of Classification Search**
USPC D14/126, 129, 130, 140, 140.2, 142, D14/144, 145, 149, 151, 356-358, 362, 365, D14/383-388, 467, 502; D24/127, 128, D24/158, 160, 161, 185, 186; D13/107, D13/108; D16/202, 203, 208, 241, 242
CPC H04M 1/274525; H04M 1/27455; H04M 1/02; H04M 1/0202; H04M 1/0264; H04M 1/0266; H04M 1/0295; H04M 1/72527; H04M 2201/50; H04M 2250/20; H04N 1/00106; H04N 1/00302; H04N 1/00305; H04N 1/00307; H04N 2007/145; H04N 5/2253; H04N 7/14; H04N 7/142

See application file for complete search history.

(56) **References Cited**

U.S. PATENT DOCUMENTS

D150,251 S *	7/1948	Pettigrew	D14/126
4,368,359 A *	1/1983	Genaro	H04M 1/11 379/454
D278,531 S *	4/1985	McGarvey	379/436
D285,436 S *	9/1986	Klucznik	D14/148
D287,964 S *	1/1987	Perkins	D14/149
D309,304 S *	7/1990	Takada	D14/130
D309,898 S	8/1990	Azpeitia Ortiz de Arri		
D313,800 S	1/1991	Appleby		
5,008,924 A *	4/1991	Guichard	H04M 1/02 348/14.05
D331,056 S *	11/1992	Yu	D14/148
D342,731 S	12/1993	Wicks		
D348,459 S	7/1994	Yamagishi et al.		
D354,061 S	1/1995	Desbarats		
5,412,417 A *	5/1995	Tozuka	H04N 7/142 348/14.01
D362,662 S	9/1995	Baudot		
D403,678 S	1/1999	Hawley et al.		
D408,825 S	4/1999	Johnson et al.		
D426,820 S	6/2000	Zeitman		
6,141,052 A *	10/2000	Fukumitsu	G06F 1/1616 348/14.08
D437,588 S	2/2001	Jauregui et al.		
D437,589 S	2/2001	Zeitman		
D458,599 S	6/2002	Nagase		
D460,066 S	7/2002	Hillenmayer		
D463,780 S *	10/2002	Hung	D14/130
D469,072 S *	1/2003	Dickinson	D14/130
D478,881 S *	8/2003	O'Leary	D14/130
D489,342 S *	5/2004	Campbell	D14/130
D504,889 S	5/2005	Andre et al.		
D530,715 S *	10/2006	Wu	D14/341
D534,512 S *	1/2007	Kim	D14/130
D549,676 S *	8/2007	Pelletier	D14/130
D550,195 S *	9/2007	Ju	D14/151
D554,613 S	11/2007	Hikino et al.		
D559,210 S *	1/2008	Brown	D14/130
D559,211 S *	1/2008	Brown	D14/130
D582,875 S *	12/2008	Haspil	D14/138 G
D585,397 S *	1/2009	Hwang	D14/130
D585,399 S *	1/2009	Hwang	D14/130
D592,625 S *	5/2009	Hwang	D14/130
D600,242 S *	9/2009	Yeh	D14/341
D609,662 S *	2/2010	Noreng	D14/130
D614,601 S *	4/2010	Kataoka	D14/130
D618,192 S *	6/2010	Huang	D14/130
D629,771 S	12/2010	Haspil et al.		
D637,985 S *	5/2011	Andresen	D14/126



D639,268 S *	6/2011	DeLorenzo	D14/130
D639,804 S *	6/2011	Hwang	D14/341
D642,174 S	7/2011	Hirota	
D650,767 S	12/2011	Lu et al.	
D651,185 S *	12/2011	Andresen	D14/126
D656,137 S	3/2012	Chung et al.	
D658,616 S	5/2012	Van Der Flier et al.	
D678,272 S	3/2013	Groene et al.	
D678,877 S	3/2013	Groene et al.	
D692,042 S *	10/2013	Dawes	D16/203
D696,246 S	12/2013	Kim	
D696,247 S	12/2013	Kim	
D696,248 S	12/2013	Lim et al.	
D696,254 S	12/2013	Groene et al.	
D696,662 S	12/2013	Song et al.	
D697,911 S	1/2014	McManigal et al.	
D698,780 S	2/2014	Lee	
D698,785 S	2/2014	Canizares et al.	
D698,787 S	2/2014	Kim	
D699,719 S	2/2014	Akana et al.	
D700,179 S	2/2014	Hong	
D700,180 S	2/2014	Hong	
D700,605 S	3/2014	Hong	
D701,201 S	3/2014	Jiang	
D702,228 S	4/2014	Park	
D702,229 S	4/2014	Lim et al.	
D702,231 S	4/2014	Park et al.	
D702,233 S	4/2014	Lee et al.	
D702,681 S	4/2014	Sugiyama et al.	
D703,667 S	4/2014	Song et al.	
D705,223 S	5/2014	Akana et al.	
D705,776 S	5/2014	Groene et al.	
D705,777 S	5/2014	Groene et al.	
D705,778 S	5/2014	Groene et al.	
D705,779 S	5/2014	Akana et al.	
D706,774 S	6/2014	Park et al.	
D706,775 S	6/2014	Akana et al.	
D707,675 S	6/2014	Akana et al.	
D708,608 S	7/2014	Sugiyama et al.	
D710,349 S	8/2014	Han et al.	
D710,843 S	8/2014	Akana et al.	
D711,335 S	8/2014	Kim	
D711,370 S	8/2014	Chen et al.	
D711,371 S	8/2014	Chen et al.	
D712,400 S	9/2014	Kim et al.	
D712,402 S	9/2014	Park et al.	
D712,403 S	9/2014	Park et al.	
D712,404 S	9/2014	Yuan et al.	
D712,896 S	9/2014	Lee et al.	
D712,899 S	9/2014	Park et al.	
D713,403 S	9/2014	Groene et al.	
D713,842 S	9/2014	Myung et al.	
D715,286 S	10/2014	Lee et al.	
D715,794 S	10/2014	Zhou et al.	
D715,795 S	10/2014	McManigal	
D716,292 S	10/2014	Lai	
D716,293 S	10/2014	Hwang et al.	
D716,797 S	11/2014	Lai	
D716,798 S	11/2014	Kurimoto et al.	
D716,799 S	11/2014	Green et al.	
D718,730 S *	12/2014	Andresen	D14/126
D720,345 S	12/2014	Chu et al.	
D720,745 S	1/2015	Yeo et al.	
D720,746 S	1/2015	Chung	
D732,491 S *	6/2015	Choi	D14/126
D739,364 S *	9/2015	Mellingen	D14/126
2002/0057334 A1 *	5/2002	Mukai	H04N 7/142 348/14.01
2008/0055394 A1 *	3/2008	Shiue	H04N 7/142 348/14.01
2014/0197240 A1 *	7/2014	Mistkawi	G06K 7/0017 235/470
2015/0109401 A1 *	4/2015	Kasatani	H04N 7/15 348/14.07

OTHER PUBLICATIONS

Web Conferencing with HD Video_Highfive.

* cited by examiner

Primary Examiner — Susan Bennett Hattan

Assistant Examiner — Marie Fast Horse

(74) *Attorney, Agent, or Firm* — TraskBritt

(57)

CLAIM

The ornamental design for a video phone set, substantially as shown and described.

DESCRIPTION

FIG. 1 is a perspective view of a video phone set showing our new design, wherein the set includes a touch-screen unit, a handset, and cradle unit according to a first embodiment; FIG. 2 is a perspective view of the touch-screen unit of the video phone set of FIG. 1, shown separated from the set for clarity of disclosure; FIG. 3 is a front view of the touch-screen unit of the video phone set of FIG. 1, shown separated from the set for clarity of disclosure; FIG. 4 is a back view of the touch-screen unit of the video phone set of FIG. 1, shown separated from the set for clarity of disclosure; FIG. 5 is a right side view of the touch-screen unit of the video phone set of FIG. 1, shown separated from the set for clarity of disclosure; FIG. 6 is a left side view of the touch-screen unit of the video phone set of FIG. 1, shown separated from the set for clarity of disclosure; FIG. 7 is a top view of the touch-screen unit of the video phone set of FIG. 1, shown separated from the set for clarity of disclosure; FIG. 8 is a bottom view of the touch-screen unit of the video phone set of FIG. 1, shown separated from the set for clarity of disclosure; FIG. 9 is a perspective view of the handset and the cradle unit of the video phone set of FIG. 1, shown separated from the set for clarity of disclosure; FIG. 10 is a front view of the handset and the cradle unit of the video phone set of FIG. 1, shown separated from the set for clarity of disclosure; FIG. 11 is a back view of the handset and the cradle unit of the video phone set of FIG. 1, shown separated from the set for clarity of disclosure; FIG. 12 is a right side view of the handset and the cradle unit of the video phone set of FIG. 1, shown separated from the set for clarity of disclosure; FIG. 13 is a left side view of the handset and the cradle unit of the video phone set of FIG. 1, shown separated from the set for clarity of disclosure; FIG. 14 is a top view of the handset and the cradle unit of the video phone set of FIG. 1, shown separated from the set for clarity of disclosure; FIG. 15 is a bottom view of the handset and the cradle unit of the video phone set of FIG. 1, shown separated from the set for clarity of disclosure; FIG. 16 is a perspective view of the handset of the video phone set of FIG. 1, shown separated from the set for clarity of disclosure;

FIG. 17 is a front view of the handset of the video phone set of FIG. 1, shown separated from the set for clarity of disclosure;

FIG. 18 is a back view of the handset of the video phone set of FIG. 1, shown separated from the set for clarity of disclosure;

FIG. 19 is a right side view of the handset of the video phone set of FIG. 1, shown separated from the set for clarity of disclosure;

FIG. 20 is a left side view of the handset the video phone set of FIG. 1, shown separated from the set for clarity of disclosure;

FIG. 21 is a top view of the handset of the video phone set of FIG. 1, shown separated from the set for clarity of disclosure;

FIG. 22 is a bottom view of the handset of the video phone set of FIG. 1, shown separated from the set for clarity of disclosure;

FIG. 23 is a perspective view of the cradle unit of the video phone set of FIG. 1, shown separated from the set for clarity of disclosure;

FIG. 24 is a front view of the cradle unit of the video phone set of FIG. 1, shown separated from the set for clarity of disclosure;

FIG. 25 is a back view of the cradle unit of the video phone set of FIG. 1, shown separated from the set for clarity of disclosure;

FIG. 26 is a right side view of the cradle unit of the video phone set of FIG. 1, shown separated from the set for clarity of disclosure;

FIG. 27 is a left side view of the cradle unit of the video phone set of FIG. 1, shown separated from the set for clarity of disclosure;

FIG. 28 is a top view of the cradle unit of the video phone set of FIG. 1, shown separated from the set for clarity of disclosure; and,

FIG. 29 is a bottom view of the cradle unit of the video phone set of FIG. 1, shown separated from the set for clarity of disclosure.

The broken lines consisting of a long dash and two short dashes seen on the front and back surfaces of the touch-screen unit depict portions of the touch-screen unit that form no part of the claim; while the remaining broken lines in the figures showing the stand on the rear of the touch-screen, the cord connecting the cradle unit to the touch-screen unit, the logo on the top of the cord connector on the front of the handset, and the feet on the bottom of the cradle unit represent environmental structure and form no part of the claim.

1 Claim, 15 Drawing Sheets

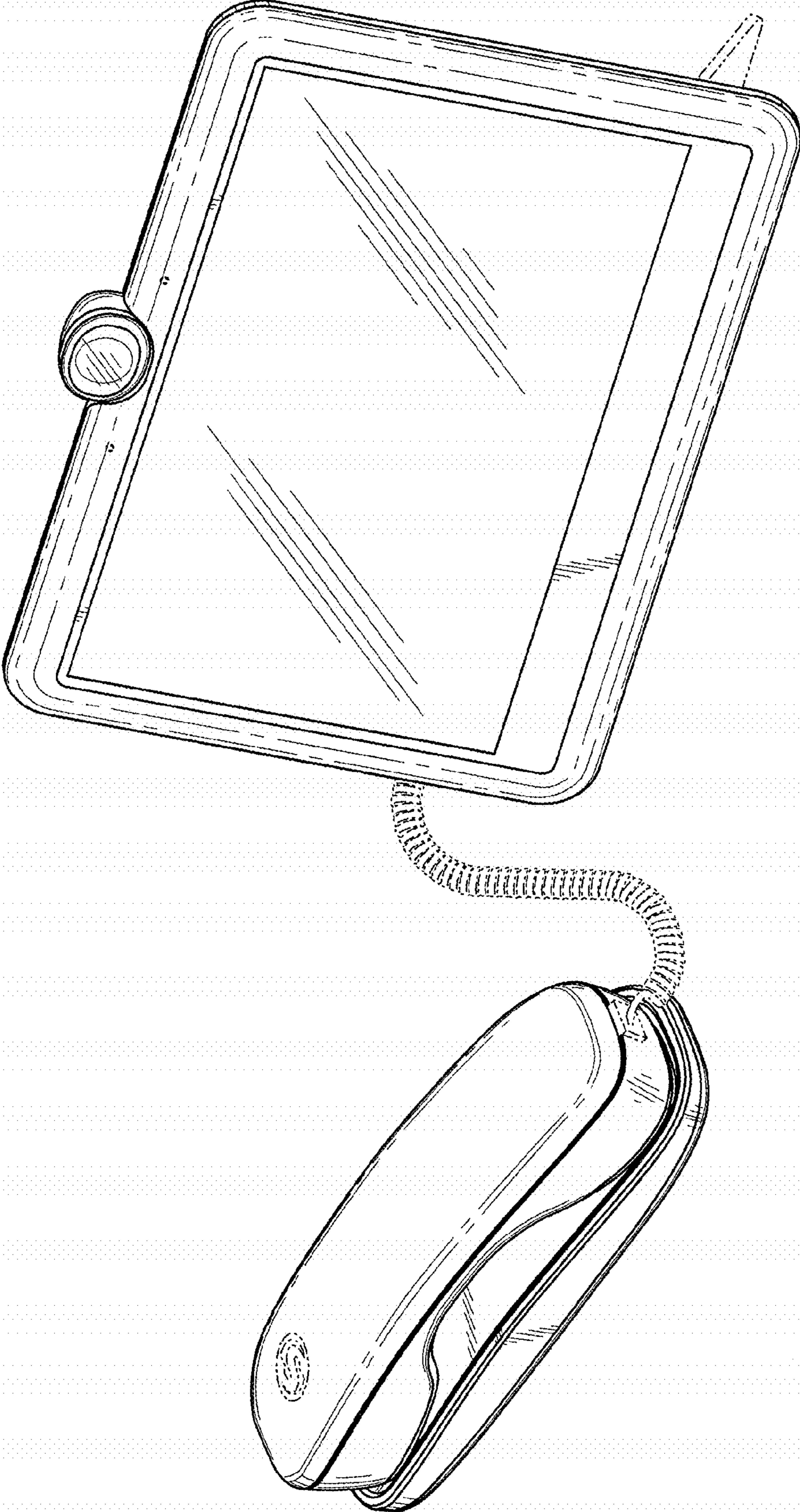


FIG. 1

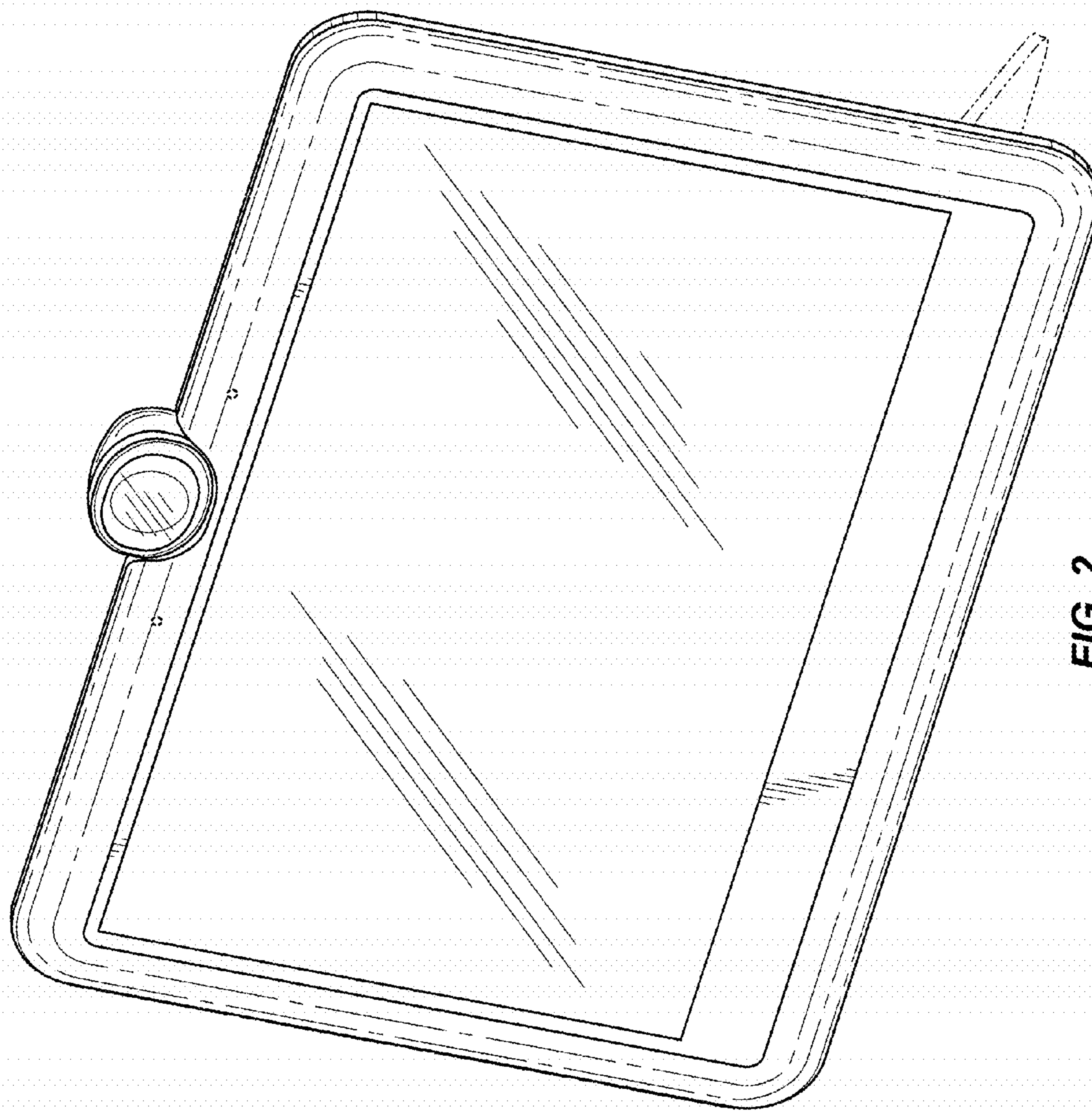


FIG. 2

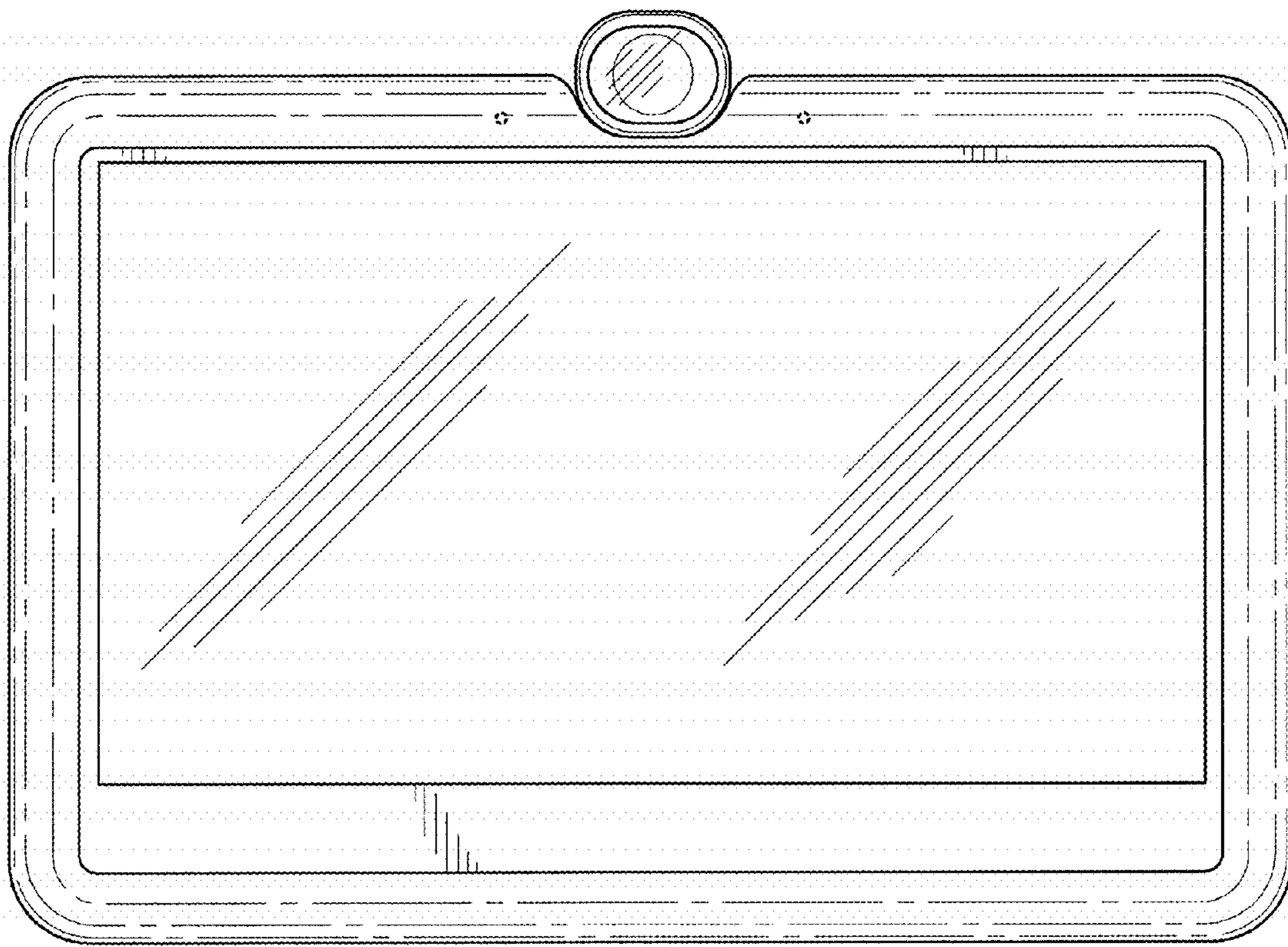


FIG. 3

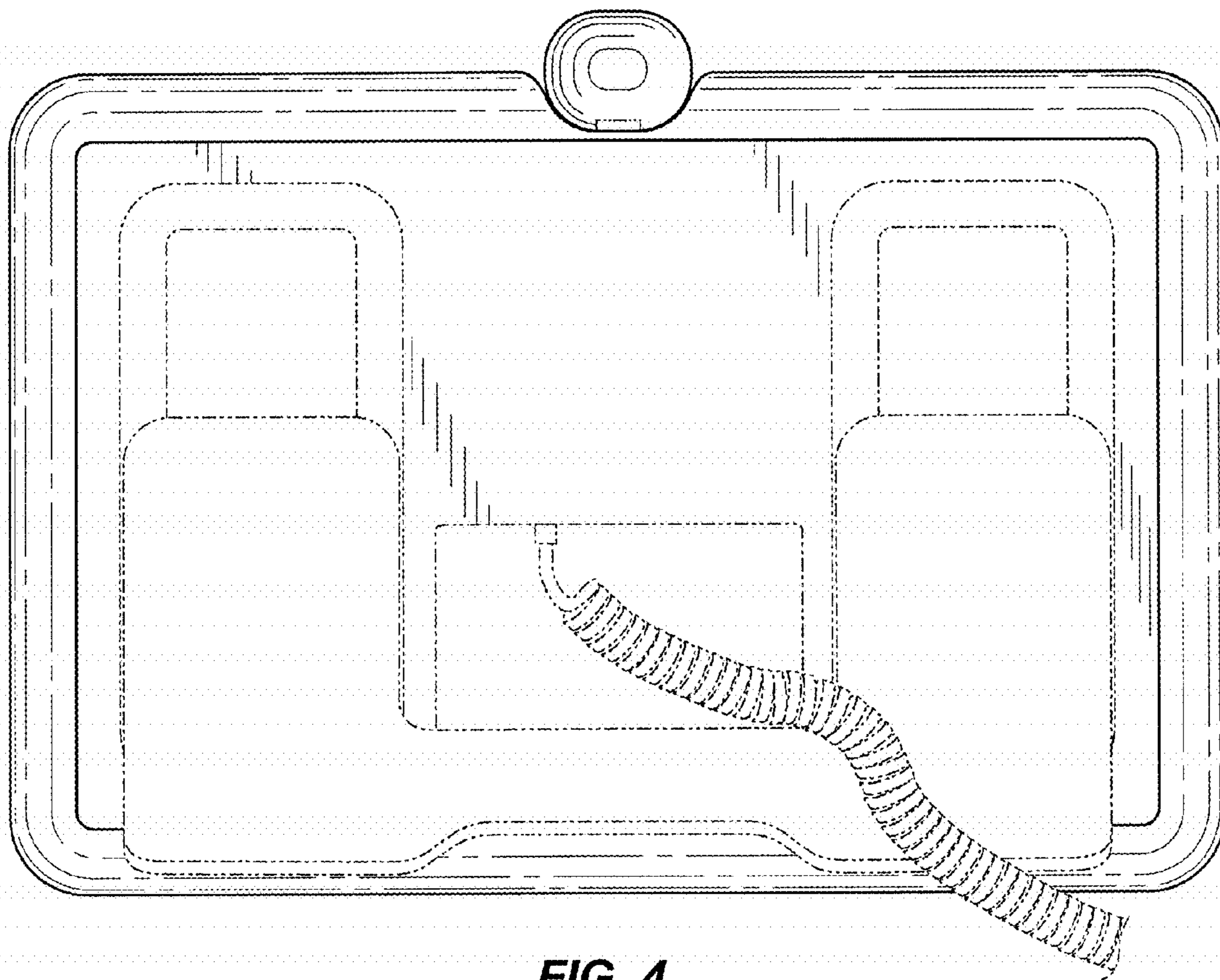


FIG. 4

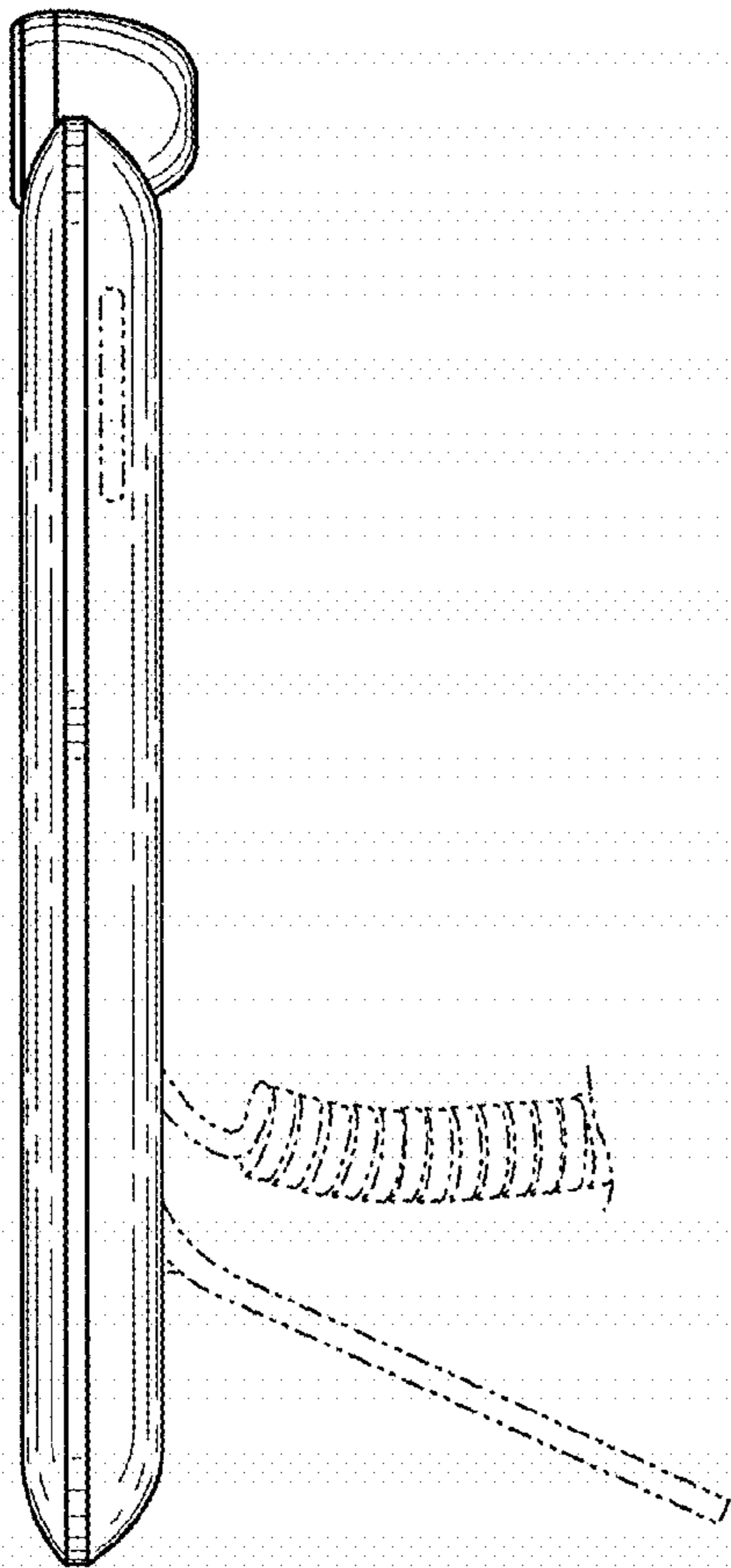


FIG. 5

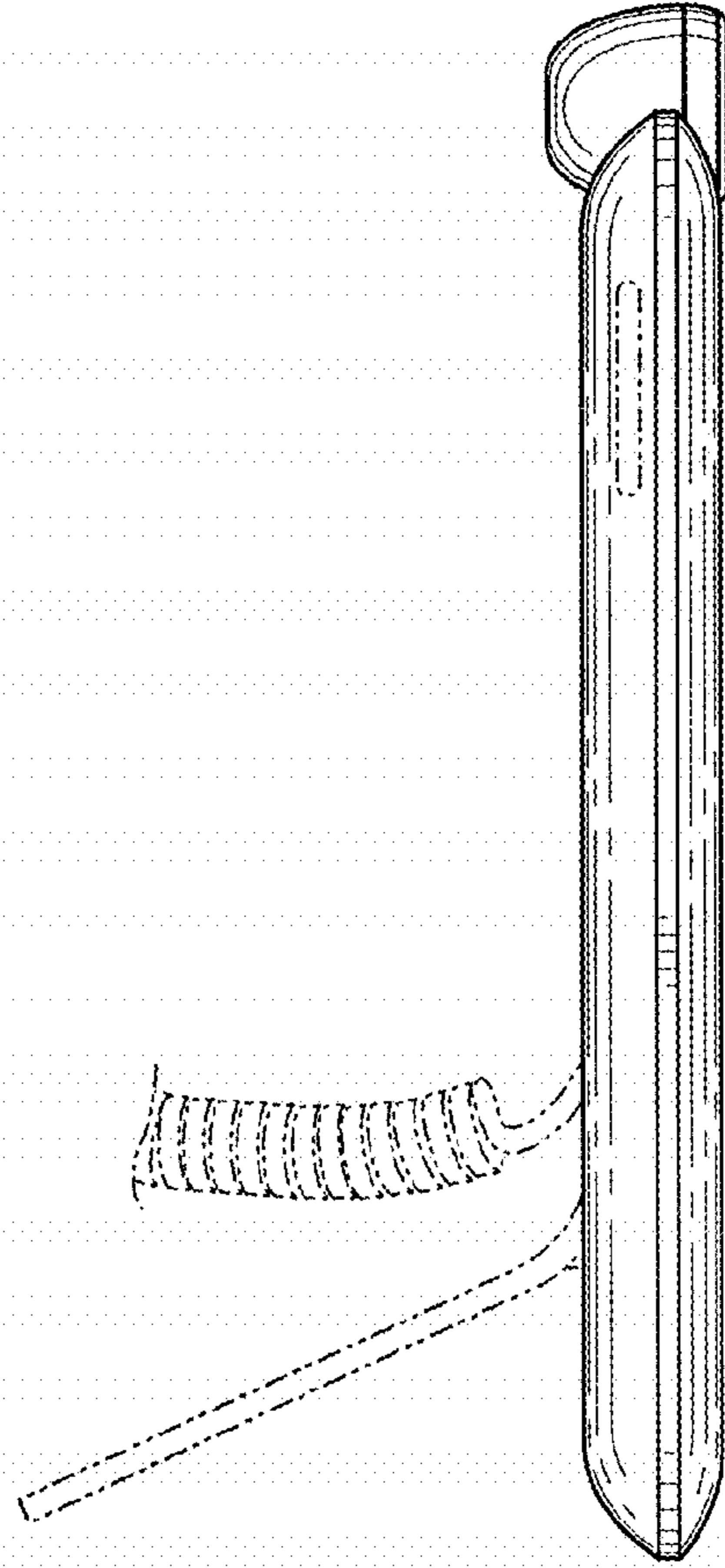


FIG. 6

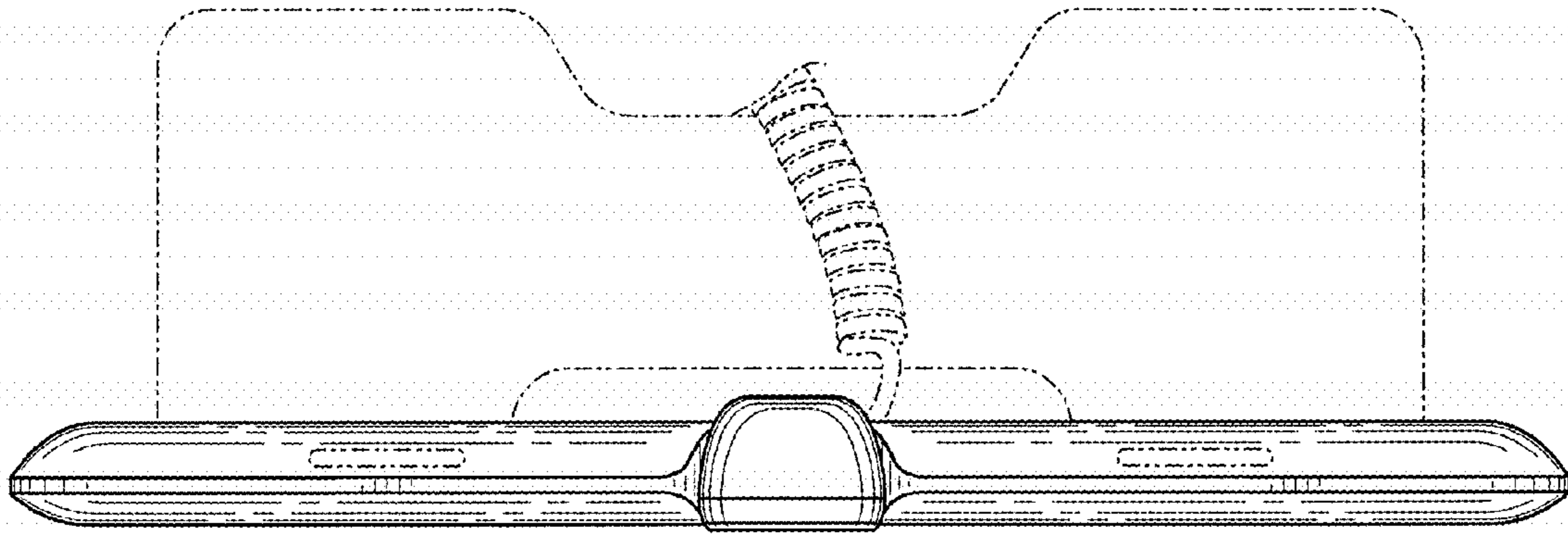


FIG. 7

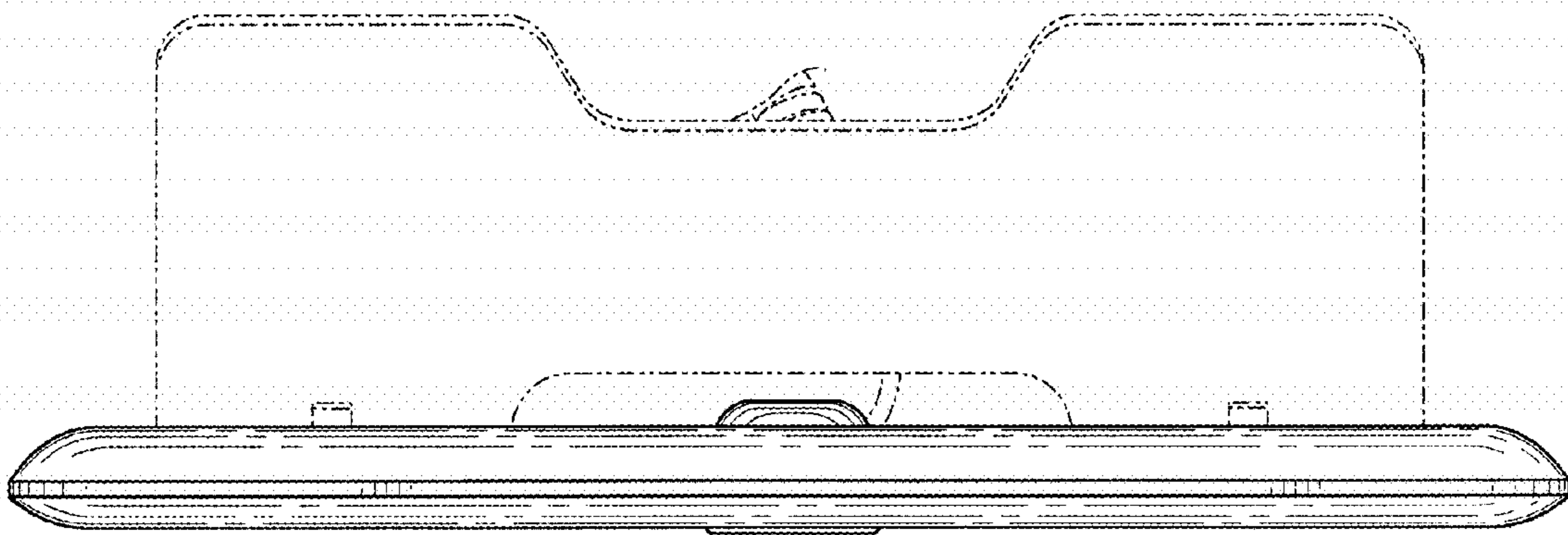


FIG. 8

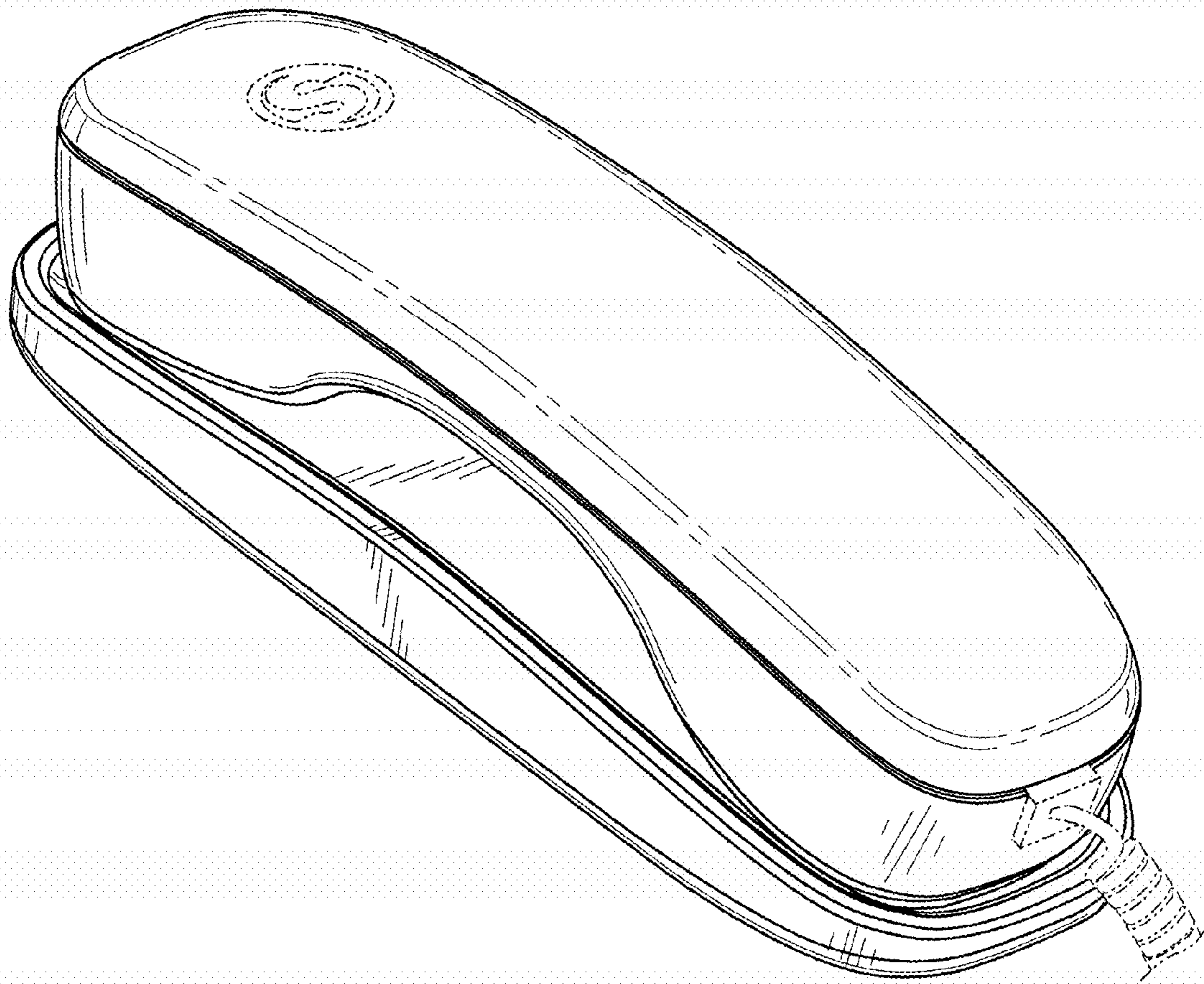


FIG. 9

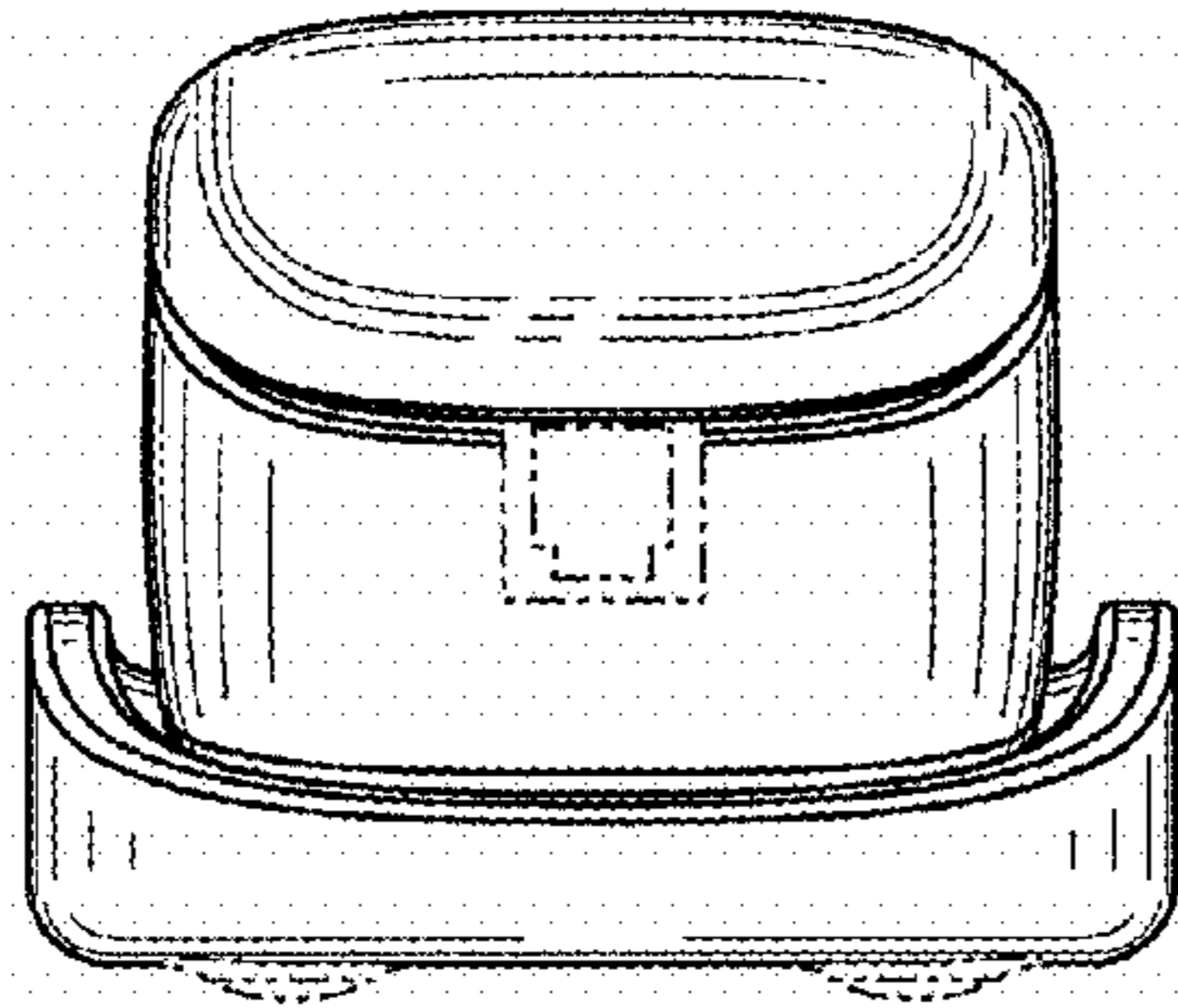


FIG. 10

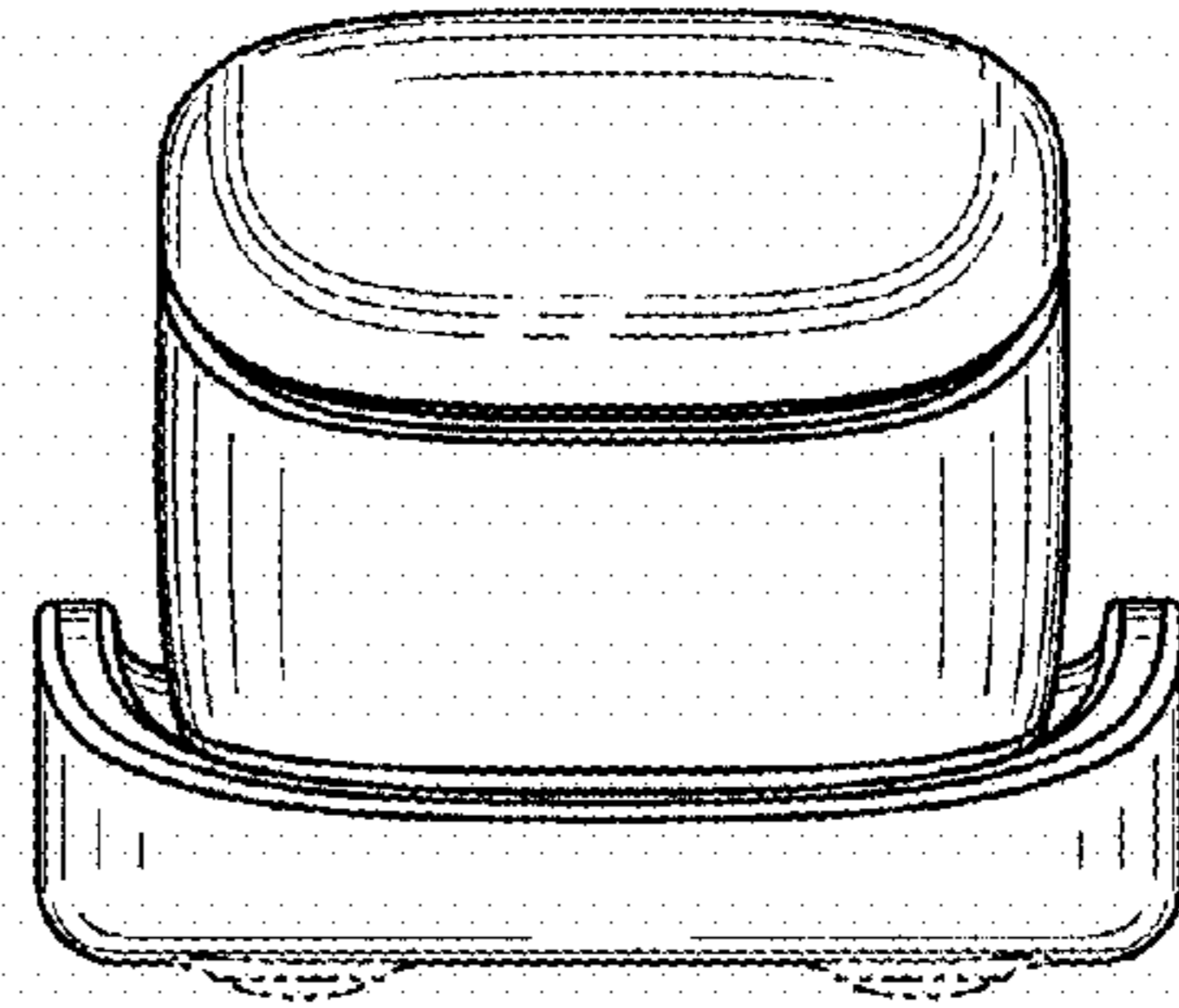


FIG. 11

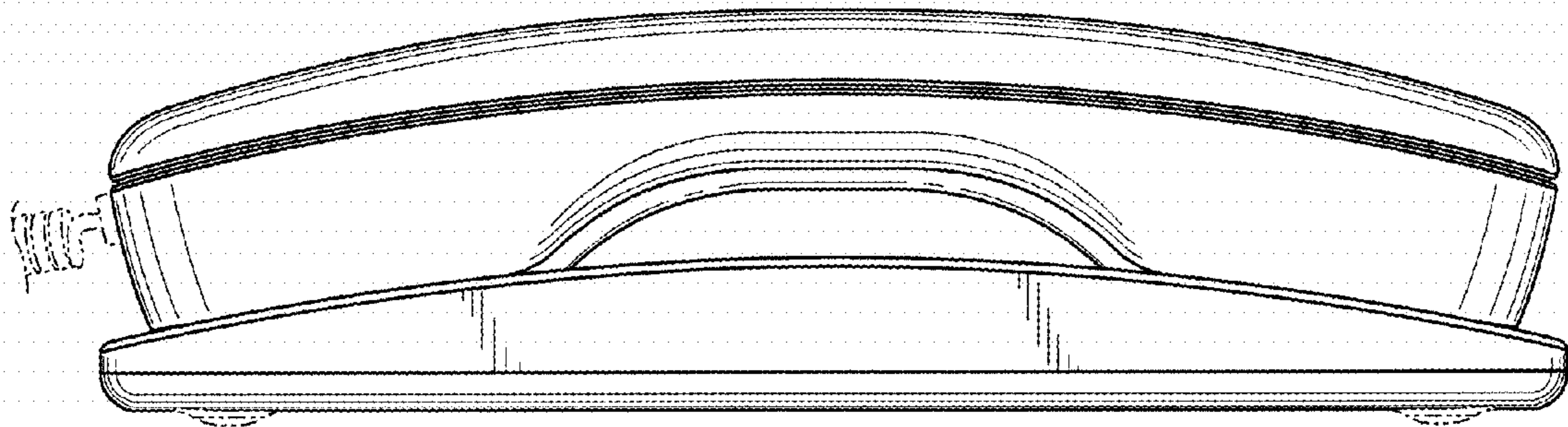


FIG. 12

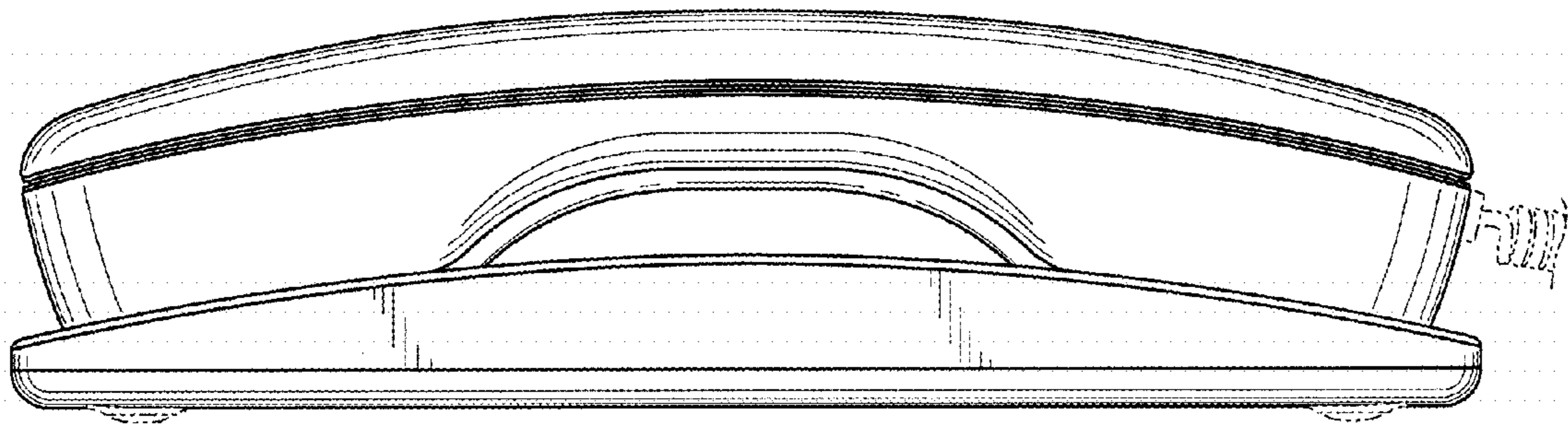


FIG. 13

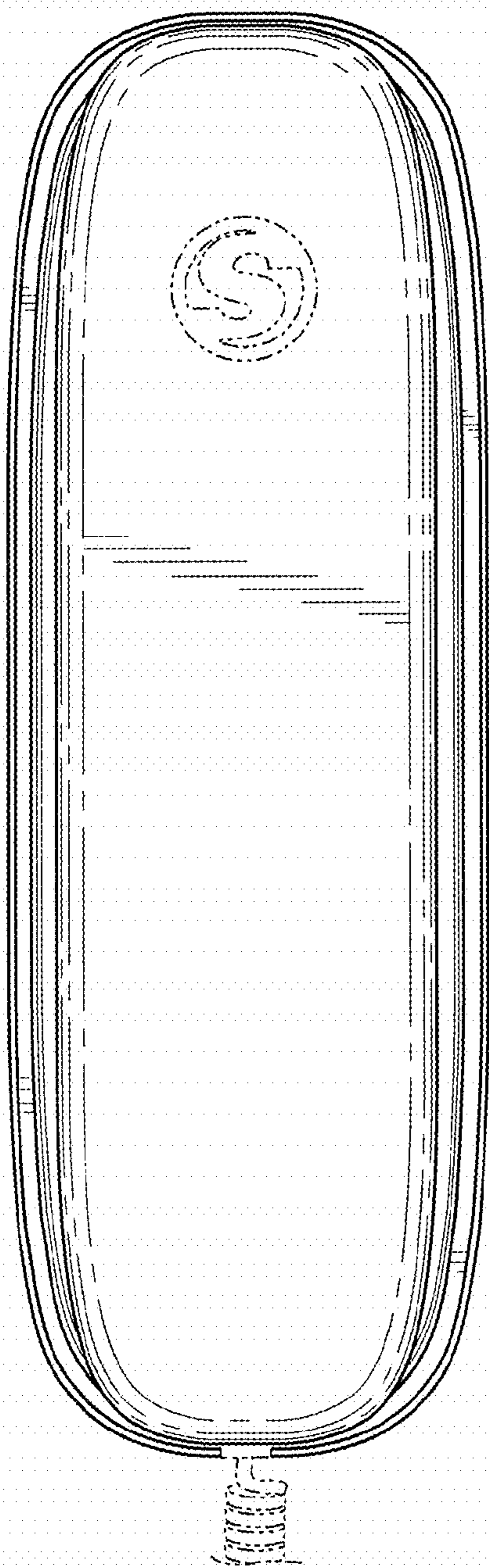


FIG. 14

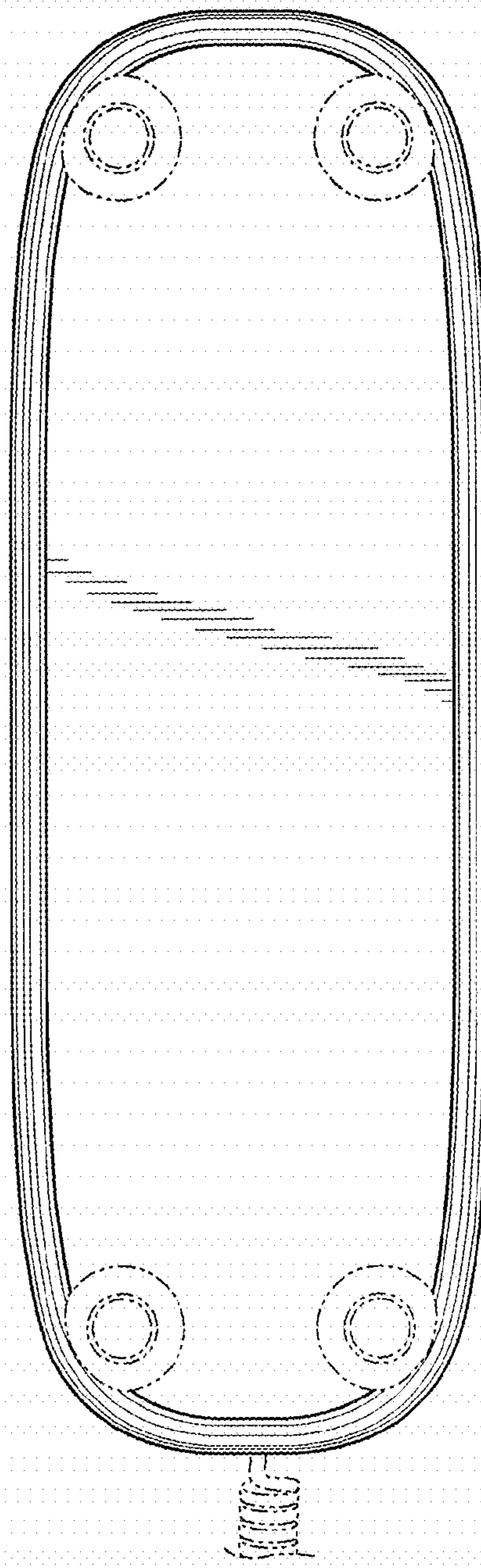


FIG. 15

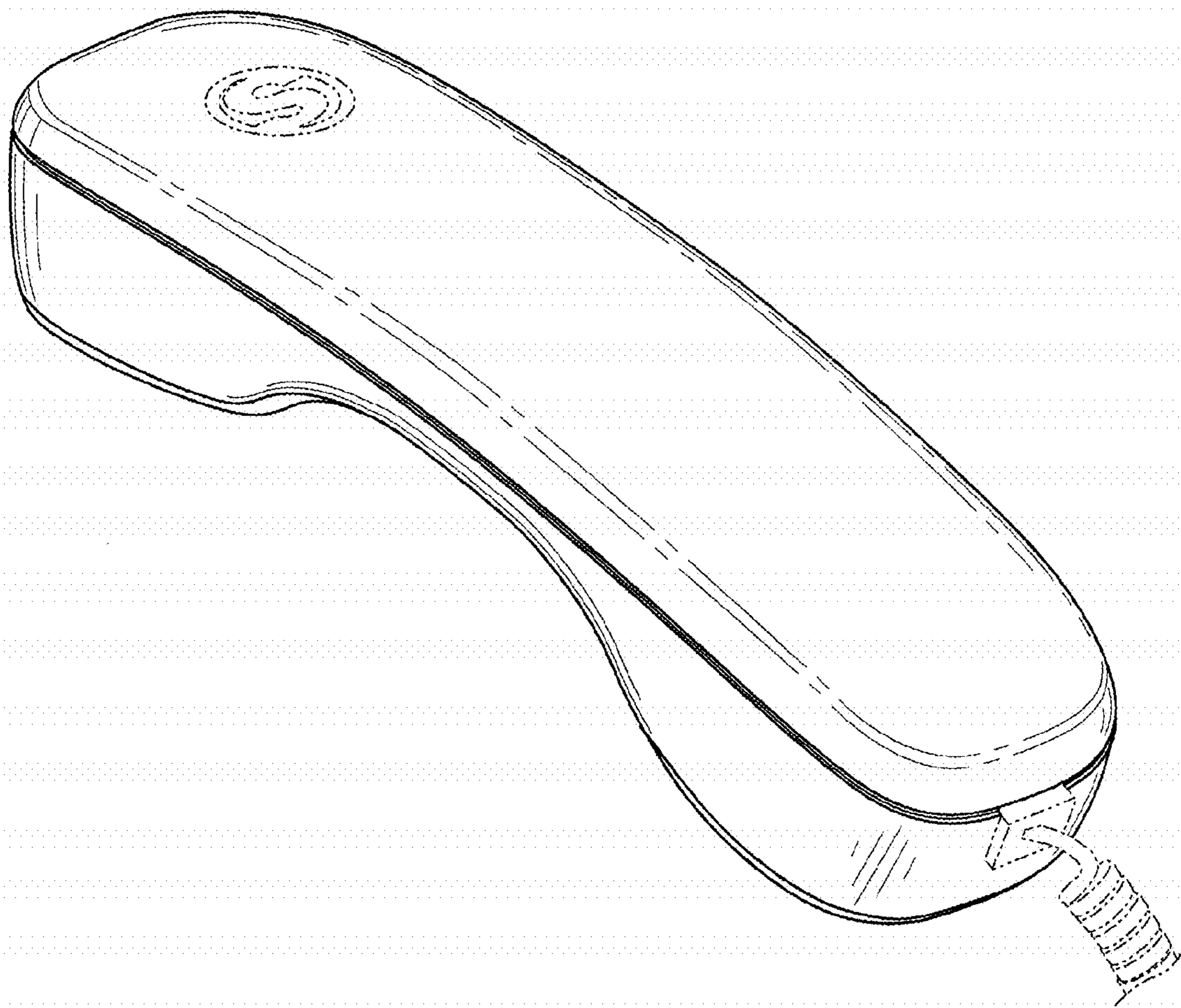


FIG. 16

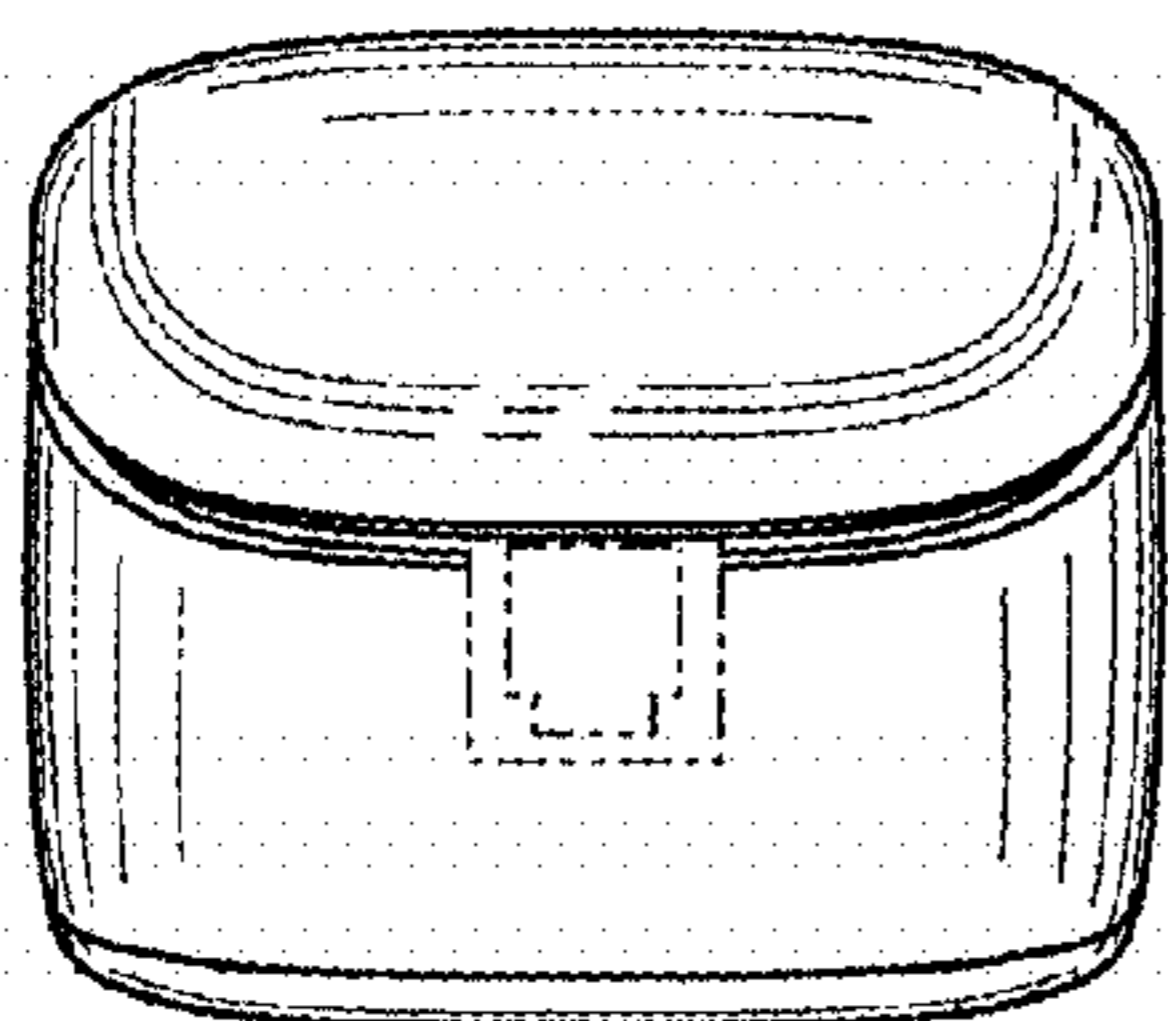


FIG. 17



FIG. 18

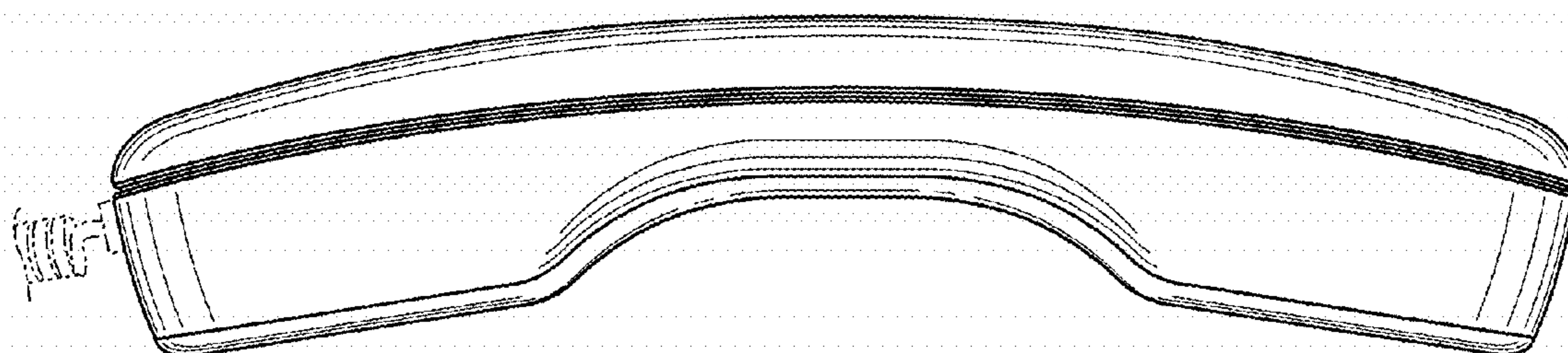


FIG. 19

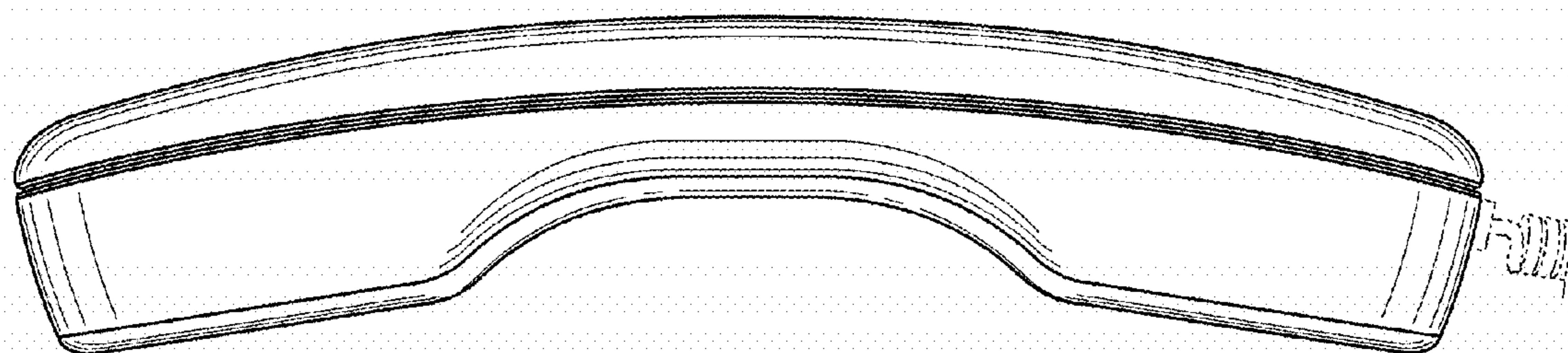


FIG. 20

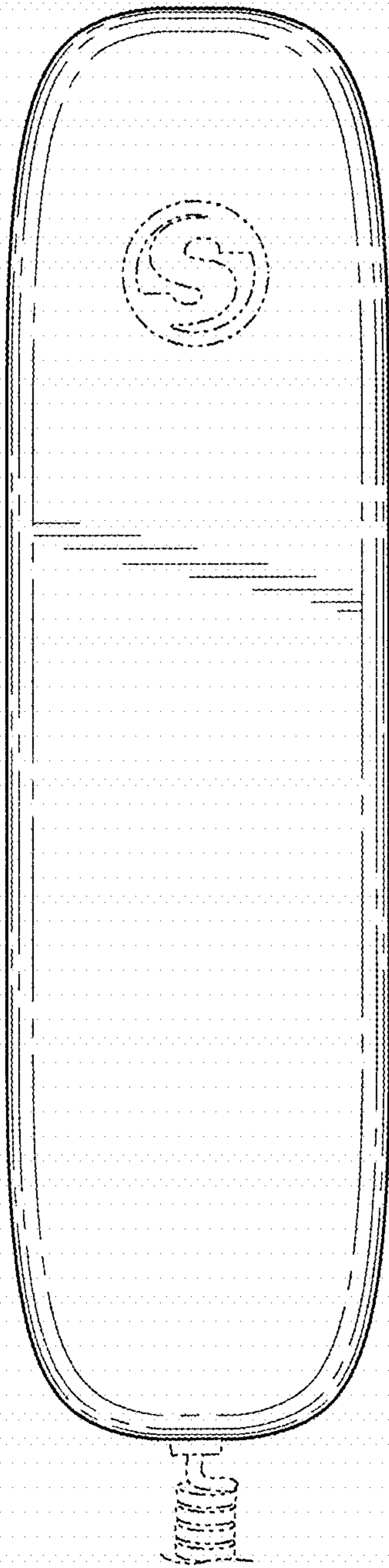


FIG. 21

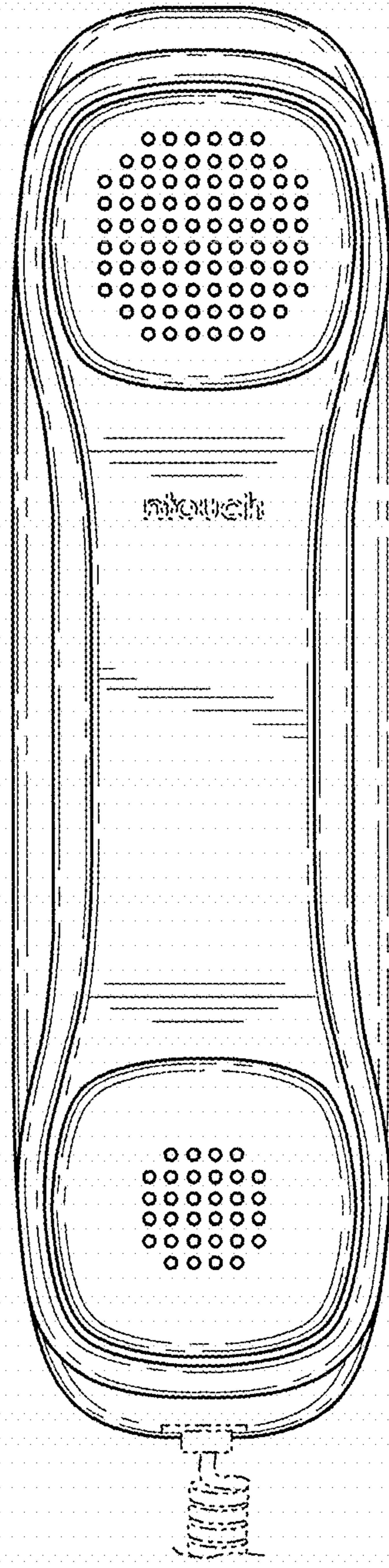


FIG. 22

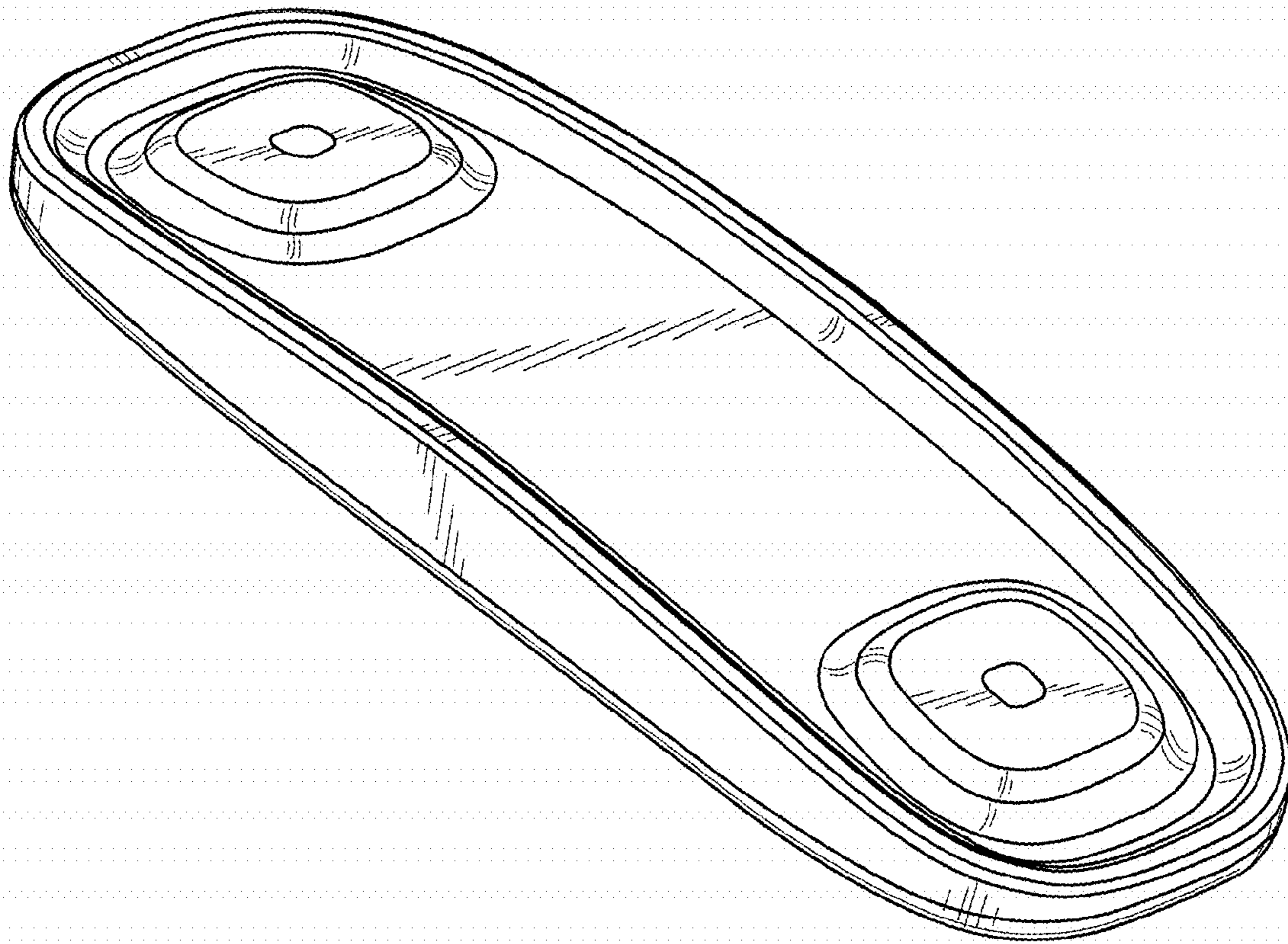


FIG. 23

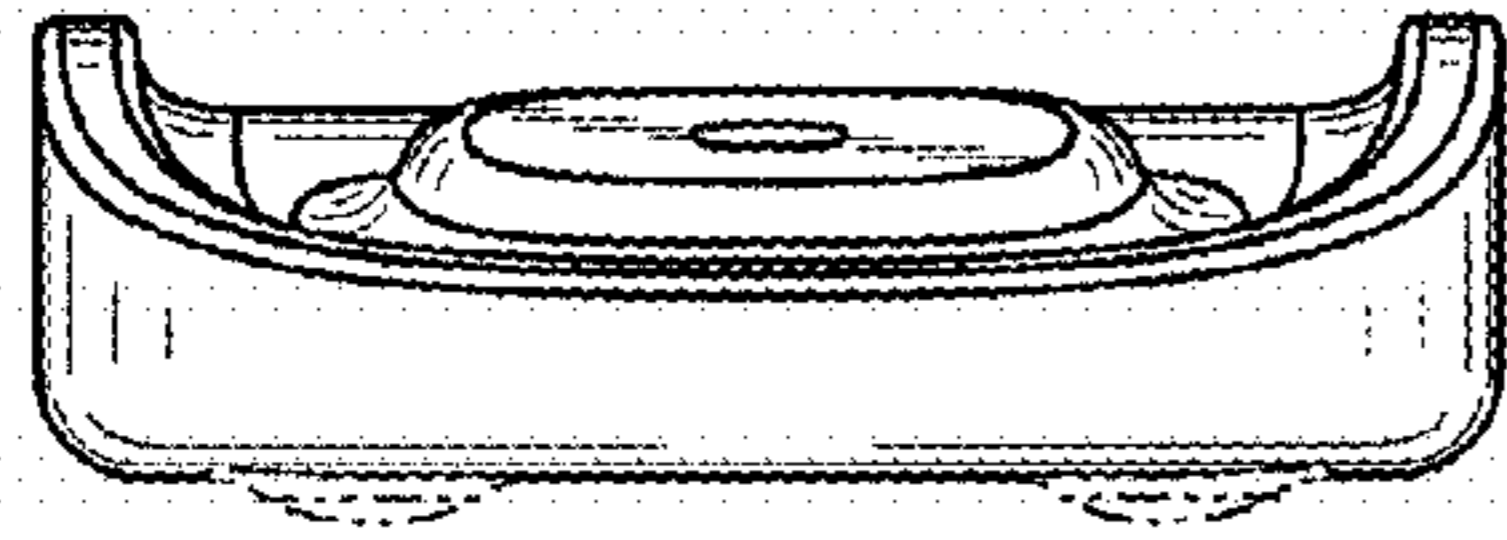


FIG. 24

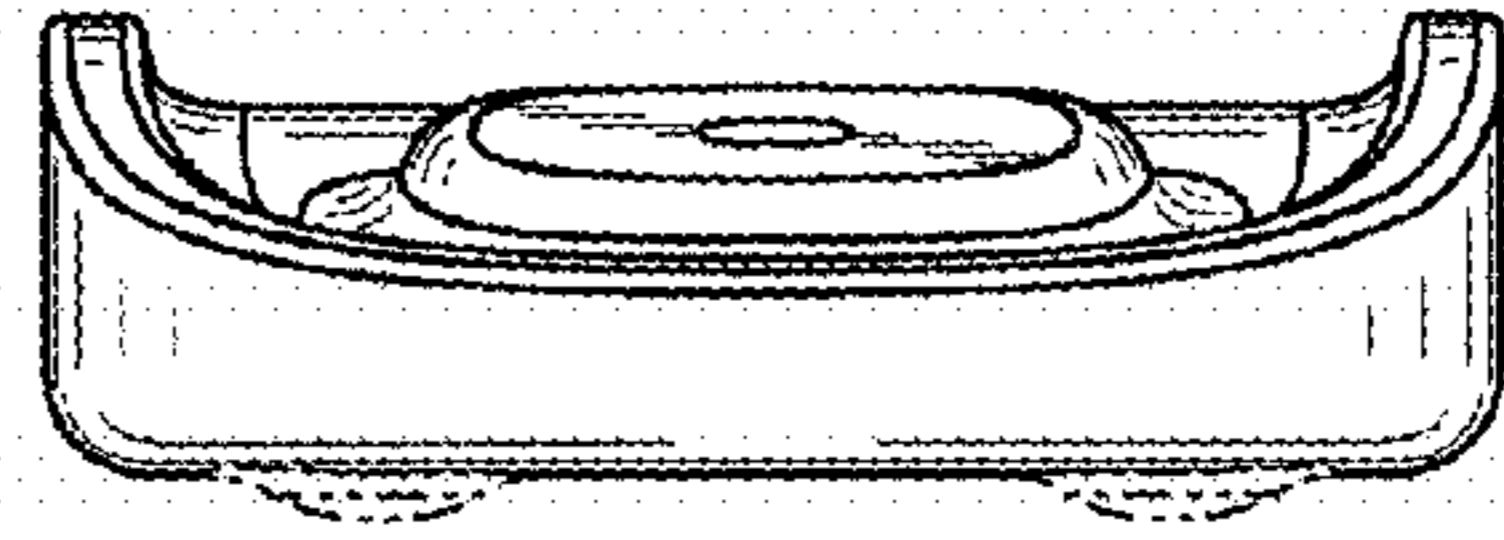


FIG. 25

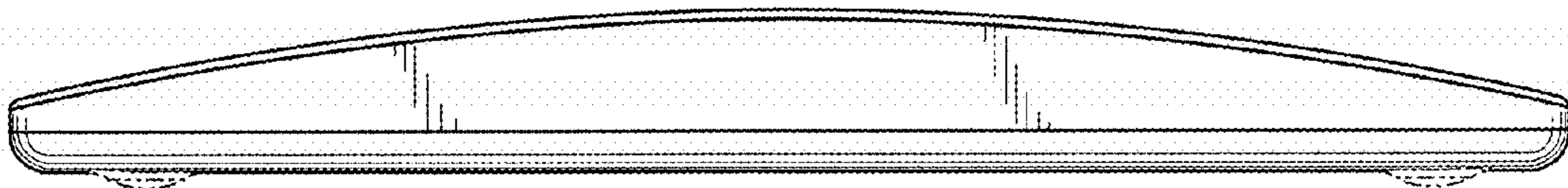


FIG. 26

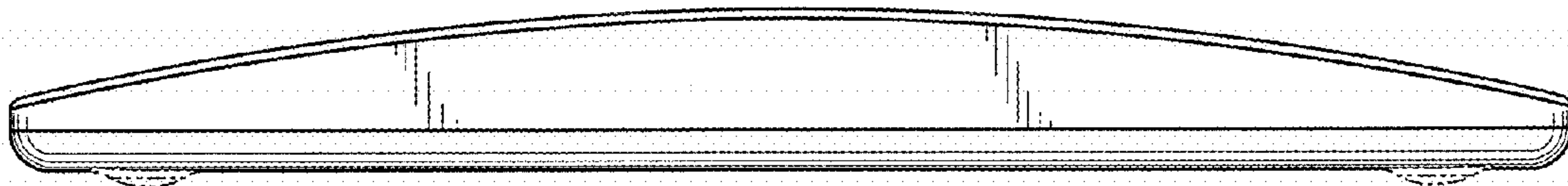


FIG. 27

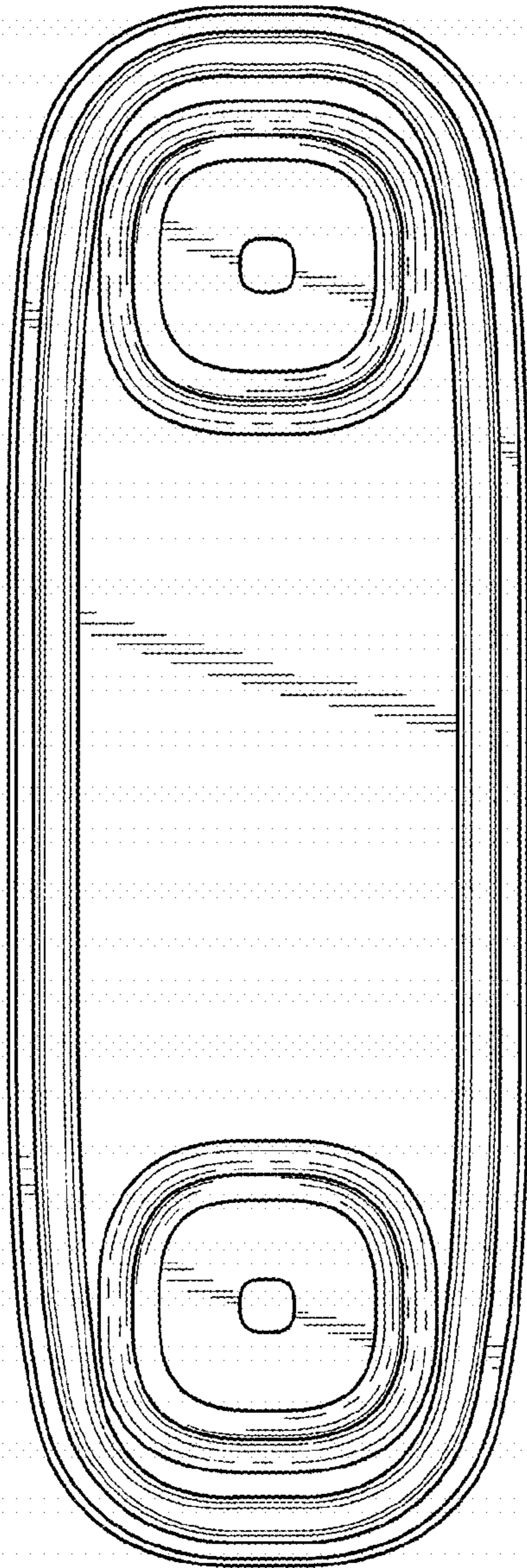


FIG. 28

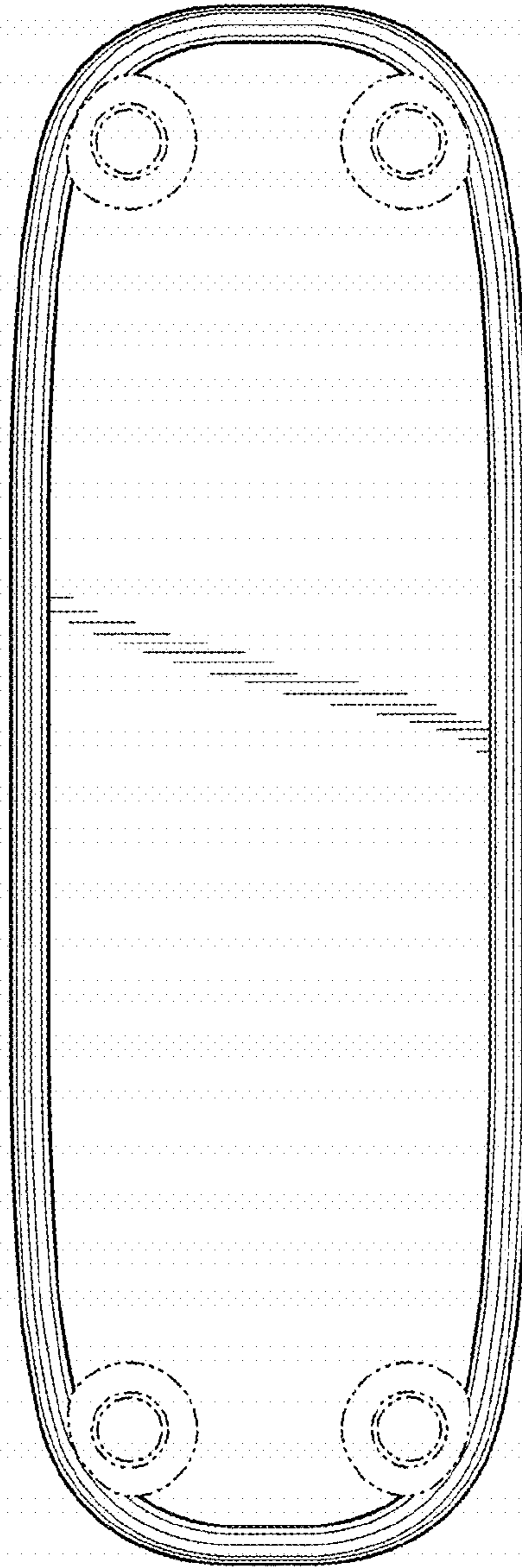


FIG. 29

UNITED STATES PATENT AND TRADEMARK OFFICE
CERTIFICATE OF CORRECTION

PATENT NO. : D758,984 S
APPLICATION NO. : 29/518646
DATED : June 14, 2016
INVENTOR(S) : Conrad Arlo Maxwell et al.

Page 1 of 1

It is certified that error appears in the above-identified patent and that said Letters Patent is hereby corrected as shown below:

On the Title Page

In Item (54) change "VIDEO PHONE SET" to --A VIDEO PHONE SET--

In Item (72) Inventors: change "Merle L. Walker" to --Merle L. Walker III--

Signed and Sealed this
Thirtieth Day of May, 2017



Michelle K. Lee
Director of the United States Patent and Trademark Office

UNITED STATES PATENT AND TRADEMARK OFFICE
CERTIFICATE OF CORRECTION

PATENT NO. : D758,984 S
APPLICATION NO. : 29/518646
DATED : June 14, 2016
INVENTOR(S) : Maxwell et al.

Page 1 of 1

It is certified that error appears in the above-identified patent and that said Letters Patent is hereby corrected as shown below:

This certificate supersedes the Certificate of Correction issued May 30, 2017. The certificate is vacated since the correction to Title and Inventor are improper. The Certificate of Correction dated May 30, 2017, was published in error and should not have been issued for this patent. The Title and Inventor is reinstated to read:

On the Title Page

Item (54) Title should read:
VIDEO PHONE SET

Item (72) Inventor:
“Merle L. Walker III” is reinstated to read --Merle L. Walker--.

Signed and Sealed this
Third Day of October, 2017



Joseph Matal
*Performing the Functions and Duties of the
Under Secretary of Commerce for Intellectual Property and
Director of the United States Patent and Trademark Office*