



US00D758983S

(12) **United States Design Patent**  
**Kim et al.**

(10) **Patent No.:** **US D758,983 S**  
(45) **Date of Patent:** **\*\* Jun. 14, 2016**

(54) **TELEVISION**

(71) Applicant: **Samsung Electronics Co., Ltd.**,  
Suwon-si, Gyeonggi-do (KR)  
(72) Inventors: **Eui Seok Kim**, Seongnam-si (KR);  
**Chae Joo Son**, Seoul (KR); **Won Jun Lee**, Seoul (KR)  
(73) Assignee: **SAMSUNG ELECTRONICS CO., LTD.**,  
Suwon-Si, Gyeonggi-Do (KR)  
(\*\*) Term: **14 Years**

(21) Appl. No.: **29/516,771**

(22) Filed: **Feb. 5, 2015**

(30) **Foreign Application Priority Data**

Aug. 8, 2014 (KR) ..... 30-2014-0038905

(51) **LOC (10) Cl.** ..... **14-03**

(52) **U.S. Cl.**  
USPC ..... **D14/126**

(58) **Field of Classification Search**  
USPC ..... D14/125-134, 239, 371, 136, 374-377,  
D14/440, 450, 448, 336, 342, 159; 312/7.2;  
348/836, 838, 180, 184, 325, 739;  
248/917-924, 465; 345/104, 133, 156,  
345/168, 87, 173; D21/329, 515, 577, 622,  
D21/333, 433, 448, 452, 450, 331, 505;  
D10/15, 26; 446/484, 175, 356;  
D6/477, 479, 300; D20/10, 19, 39  
CPC ... G06F 1/1601; G06F 1/1643; H05K 5/0004;  
H05K 5/0017; H05K 5/02; H05K 5/0217;  
H04N 13/0459

See application file for complete search history.

(56) **References Cited**

U.S. PATENT DOCUMENTS

D567,197 S *	4/2008	Kita	.....	D14/126
D571,320 S *	6/2008	Kita	.....	D14/126
D644,642 S *	9/2011	Chou	.....	D14/374
D661,272 S *	6/2012	Kim	.....	D14/126
D666,165 S *	8/2012	Kim	.....	D14/126
D671,540 S *	11/2012	Yukawa	.....	D14/336
D686,615 S *	7/2013	Lee	.....	D14/374
D694,208 S *	11/2013	Duys	.....	D14/126
D711,333 S *	8/2014	Kim	.....	D14/126
D723,483 S *	3/2015	Lee	.....	D14/126
D725,616 S *	3/2015	Oh	.....	D14/126

\* cited by examiner

*Primary Examiner* — Raphael Barkai

(74) *Attorney, Agent, or Firm* — Ladas & Parry LLP

(57) **CLAIM**

We claim the ornamental design for television, as shown and described.

**DESCRIPTION**

FIG. 1 is the front perspective view of television showing our new design;  
FIG. 2 is the front view thereof;  
FIG. 3 is the rear view thereof;  
FIG. 4 is the left-side view thereof;  
FIG. 5 is the right-side view thereof;  
FIG. 6 is the top plan view thereof;  
FIG. 7 is the bottom plan view thereof; and,  
FIG. 8 is a rear perspective view thereof.

**1 Claim, 8 Drawing Sheets**

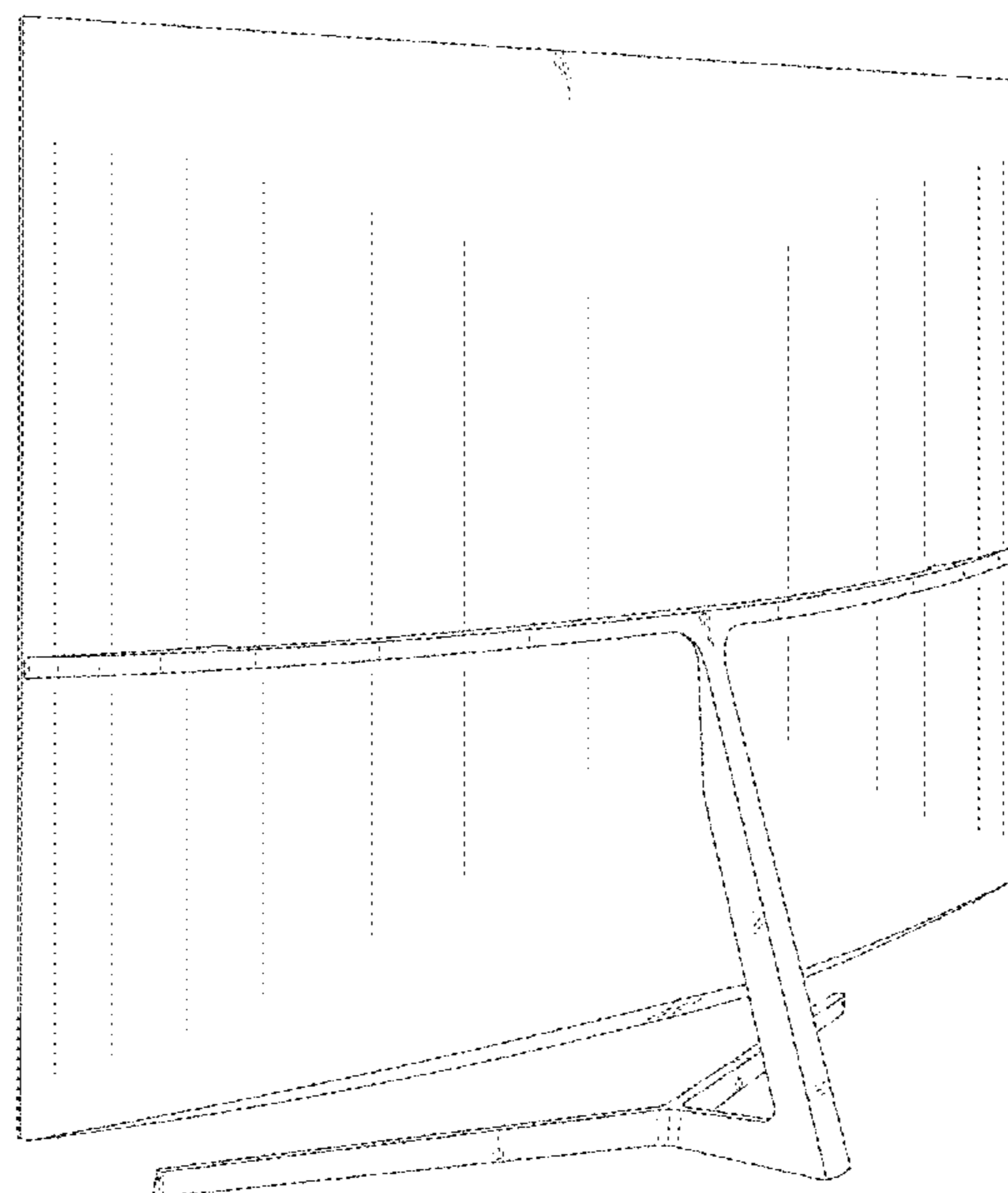
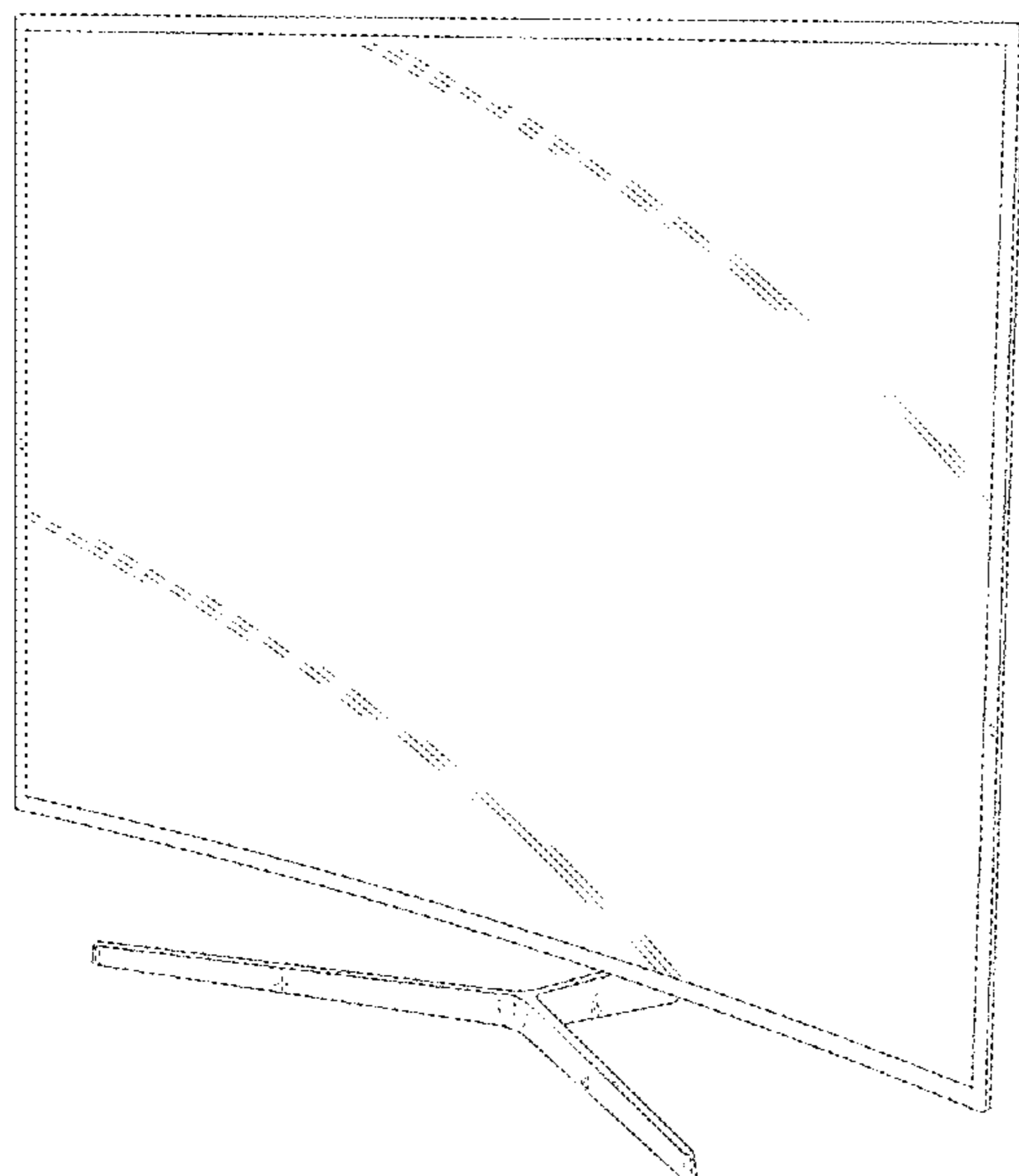


Figure 1

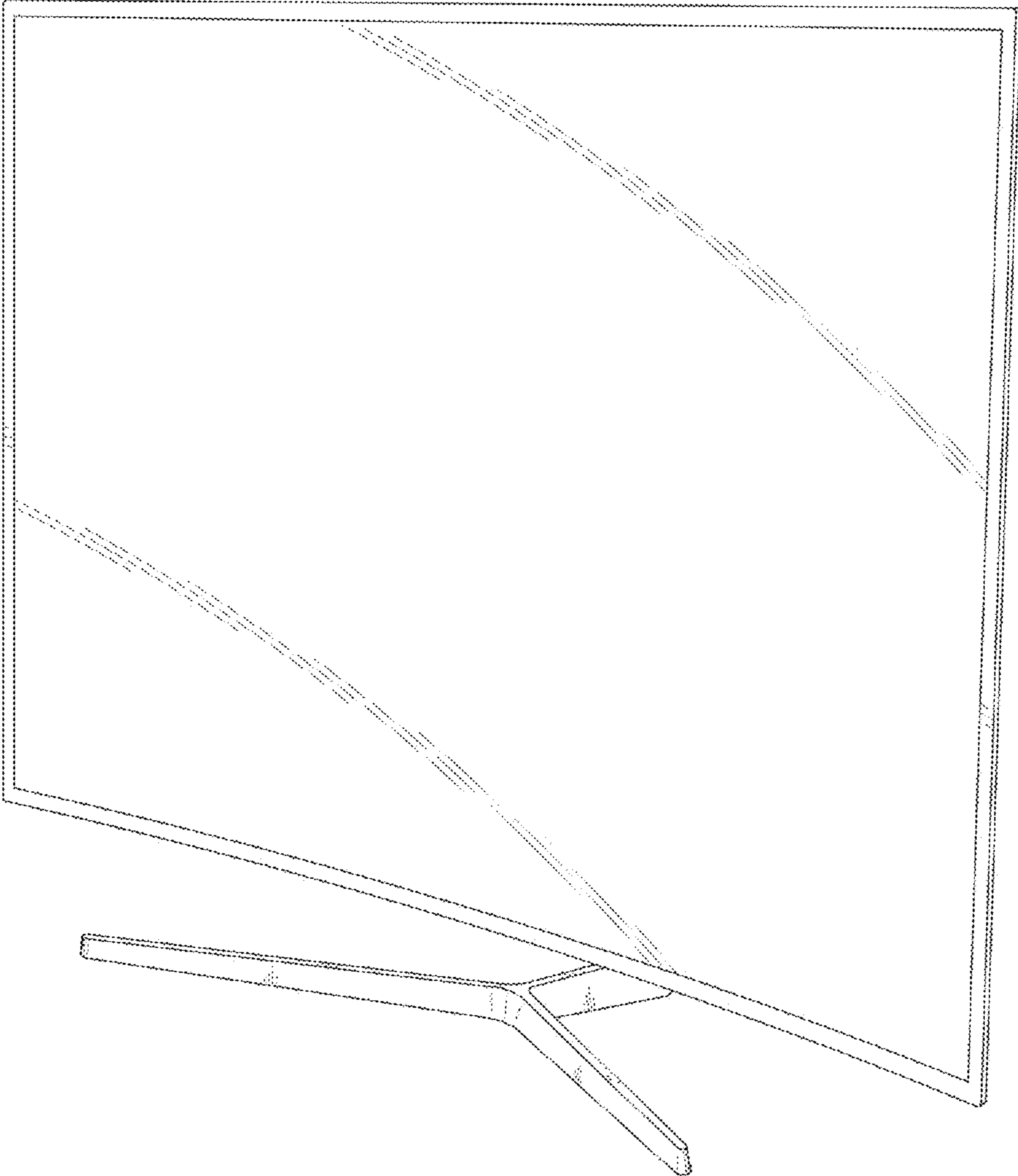


Figure 2

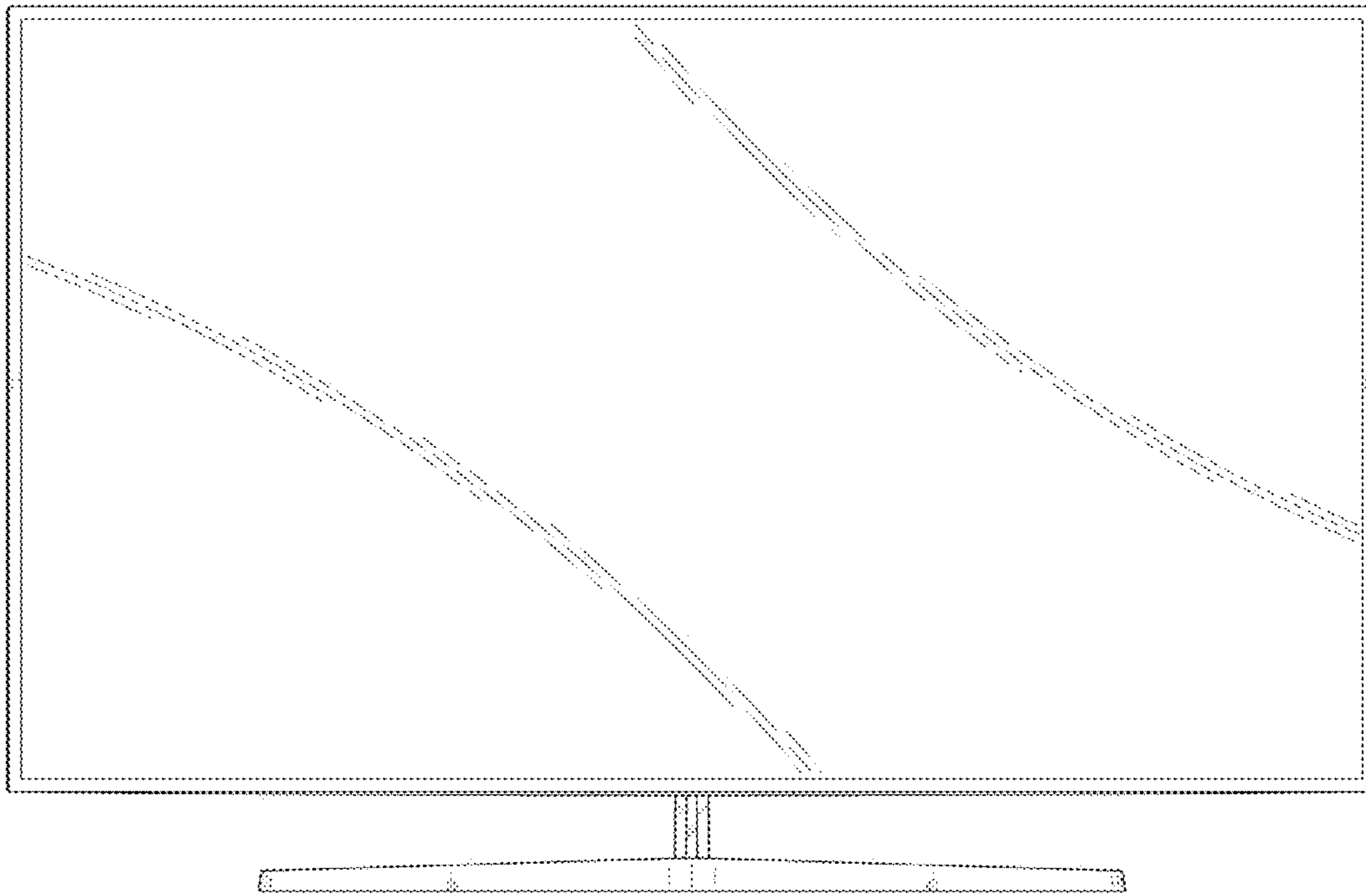


Figure 3

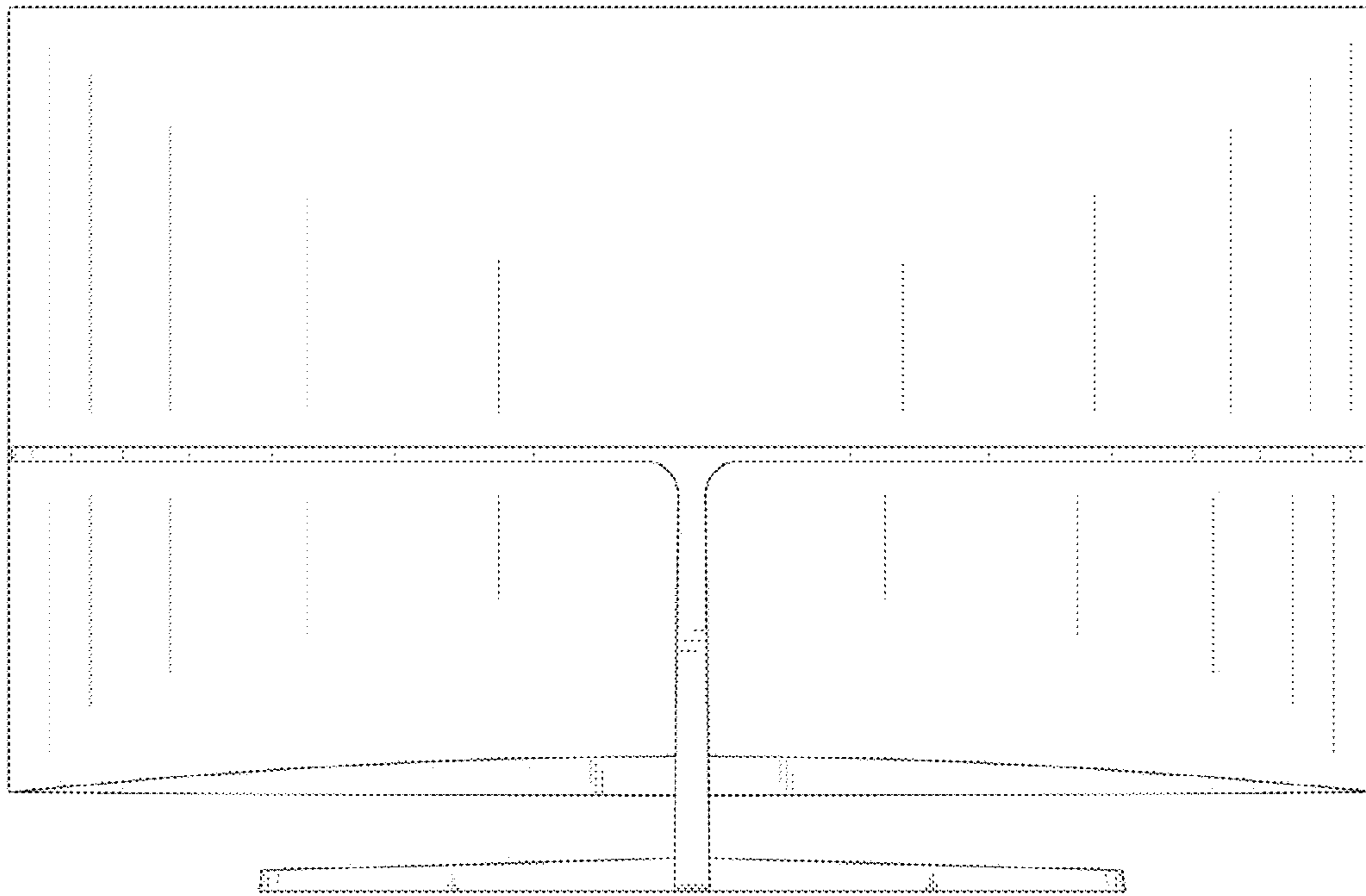


Figure 4

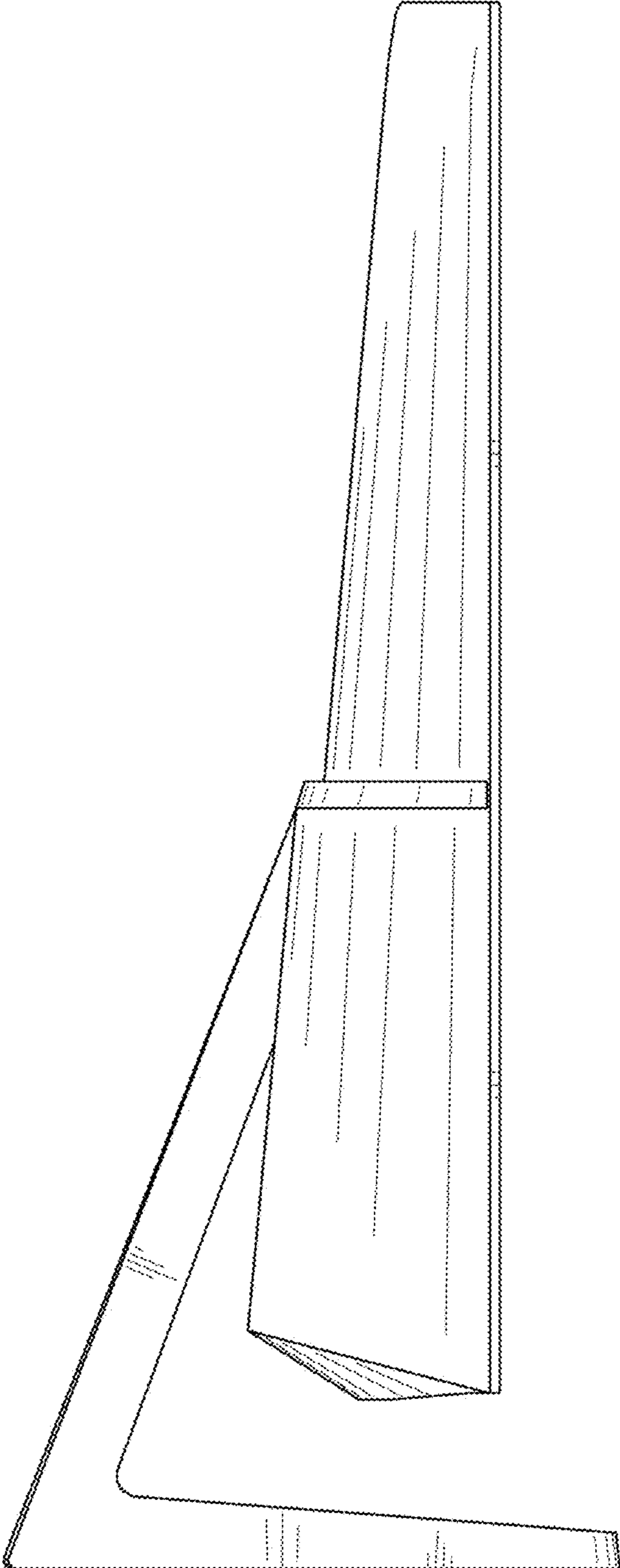


Figure 5

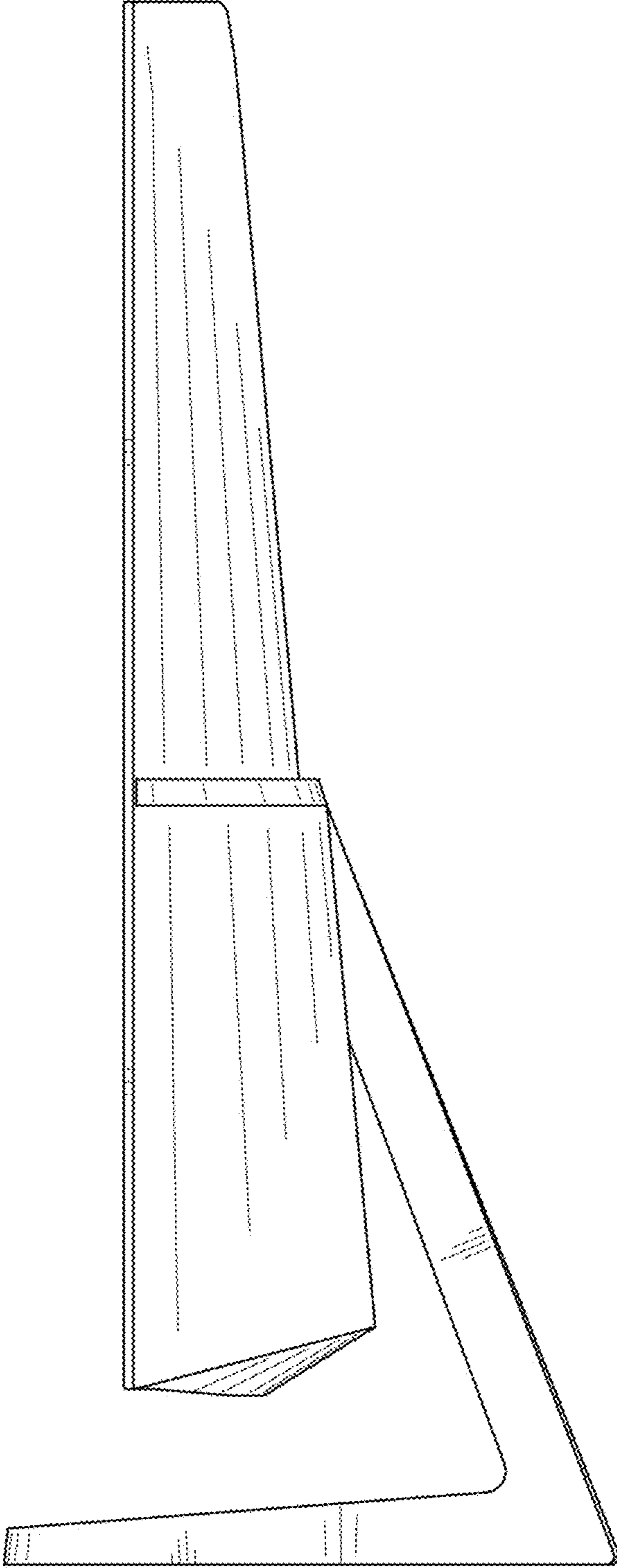


Figure 6

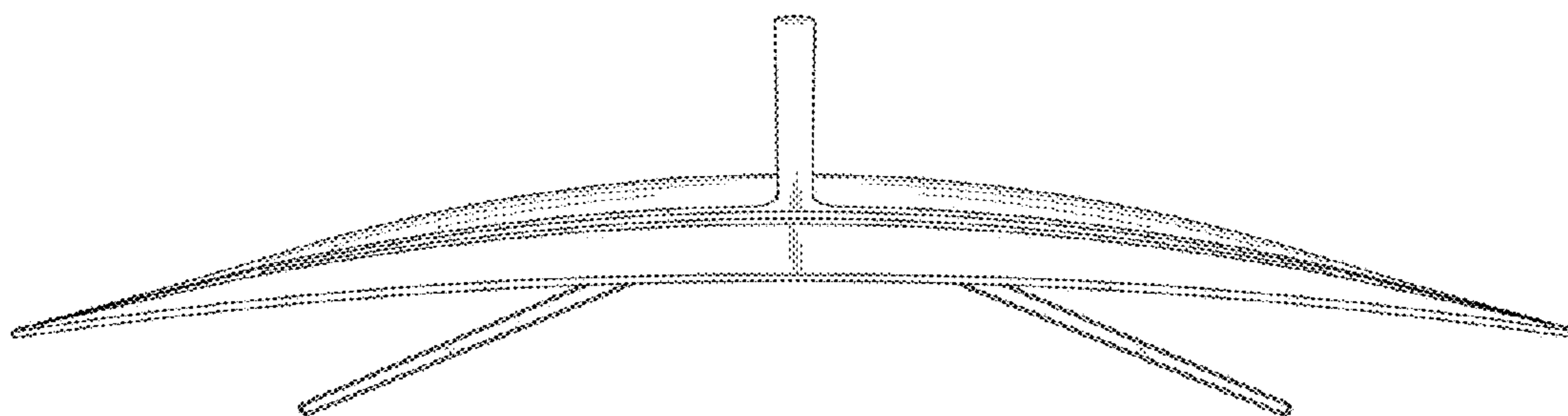


Figure 7

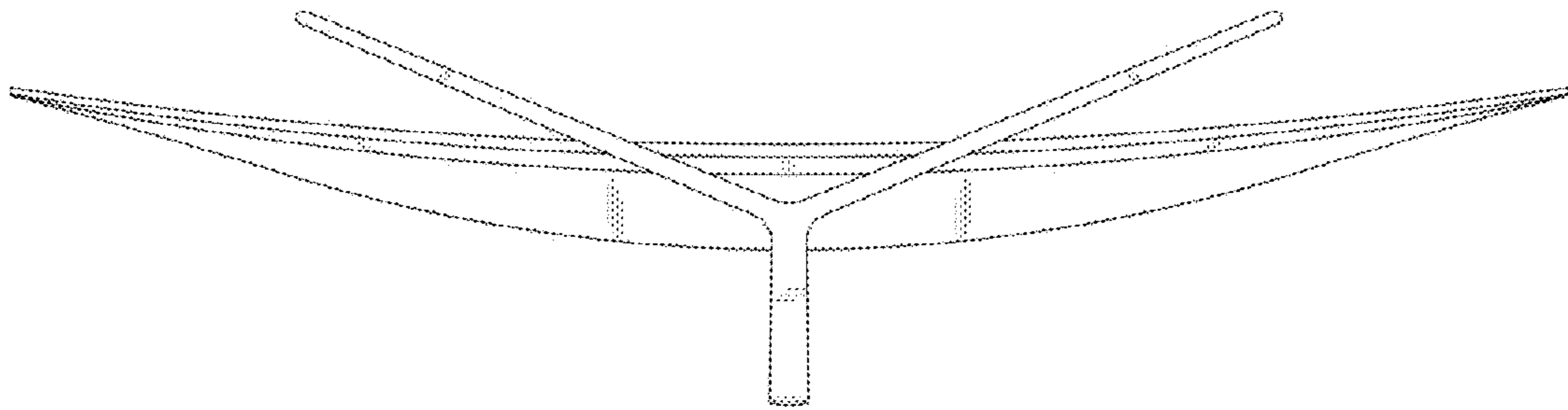




Figure 8

