

US00D758980S

(12) **United States Design Patent**  
**Kim et al.**

(10) **Patent No.:** **US D758,980 S**  
(45) **Date of Patent:** **\*\* Jun. 14, 2016**

(54) **TELEVISION RECEIVER**

(56) **References Cited**

(71) Applicant: **Samsung Electronics Co., Ltd.**,  
Suwon-si (KR)  
(72) Inventors: **Taehun Kim**, Seoul (KR); **Chaejoo Son**,  
Seoul (KR)  
(73) Assignee: **Samsung Electronics Co., Ltd.**,  
Suwon-si (KR)

U.S. PATENT DOCUMENTS

D531,591 S \* 11/2006 Takatsuki ..... D14/126  
D531,592 S \* 11/2006 Yamamoto ..... D14/126  
D534,139 S \* 12/2006 Yokota ..... D14/126  
D556,160 S \* 11/2007 Lee ..... D14/126  
D575,248 S \* 8/2008 Fujii ..... D14/126  
D743,364 S \* 11/2015 Yoon ..... D14/126

(\*\*) Term: **14 Years**

\* cited by examiner

*Primary Examiner* — Raphael Barkai  
(74) *Attorney, Agent, or Firm* — NSIP Law

(21) Appl. No.: **29/494,038**

(57) **CLAIM**  
We claim the ornamental design for a television receiver, as shown and described.

(22) Filed: **Jun. 17, 2014**

**DESCRIPTION**

(30) **Foreign Application Priority Data**

Jan. 3, 2014 (KR) ..... 30-2014-0000405

(51) **LOC (10) Cl.** ..... **14-03**

(52) **U.S. Cl.**  
USPC ..... **D14/126**

(58) **Field of Classification Search**  
USPC ..... D14/125–134, 239, 371, 136, 374–377,  
D14/440, 450, 448, 336, 342, 159; 312/7.2;  
348/836, 838, 180, 184, 325, 739;  
248/917–924, 465; 345/104, 133, 156,  
345/168, 87, 173; D21/329, 515, 577, 622,  
D21/333, 433, 448, 452, 450, 331, 505;  
D10/15, 26; 446/484, 175, 356;  
D6/477, 479, 300; D20/10, 19, 39  
CPC ..... G06F 1/1601; G06F 1/643; H05K 5/0004;  
H05K 5/0017; H05K 5/02; H05K 5/0217;  
H01M 13/0459

See application file for complete search history.

FIG. 1 is a front perspective view of a television receiver showing our new design;  
FIG. 2 is a front view thereof;  
FIG. 3 is a rear view thereof;  
FIG. 4 is a left-side view thereof;  
FIG. 5 is a right-side view thereof;  
FIG. 6 is a top view thereof;  
FIG. 7 is a bottom view thereof;  
FIG. 8 is an enlarged view of the encircled portion in FIG. 1;  
FIG. 9 is an enlarged view of the encircled portion in FIG. 2;  
and,  
FIG. 10 is an enlarged cross-sectional view of the encircled portion in FIG. 2 taken through line 10-10 of FIG. 2.  
The broken lines in the figures show portions of the television receiver which form no part of the claimed design.  
The dot-dash broken lines in the figures represent an unclaimed boundary line and form no part of the claimed design.  
The dot-dot-dash broken lines encircling portions of the claimed design that are illustrated in enlargements form no part of the claimed design.

**1 Claim, 10 Drawing Sheets**

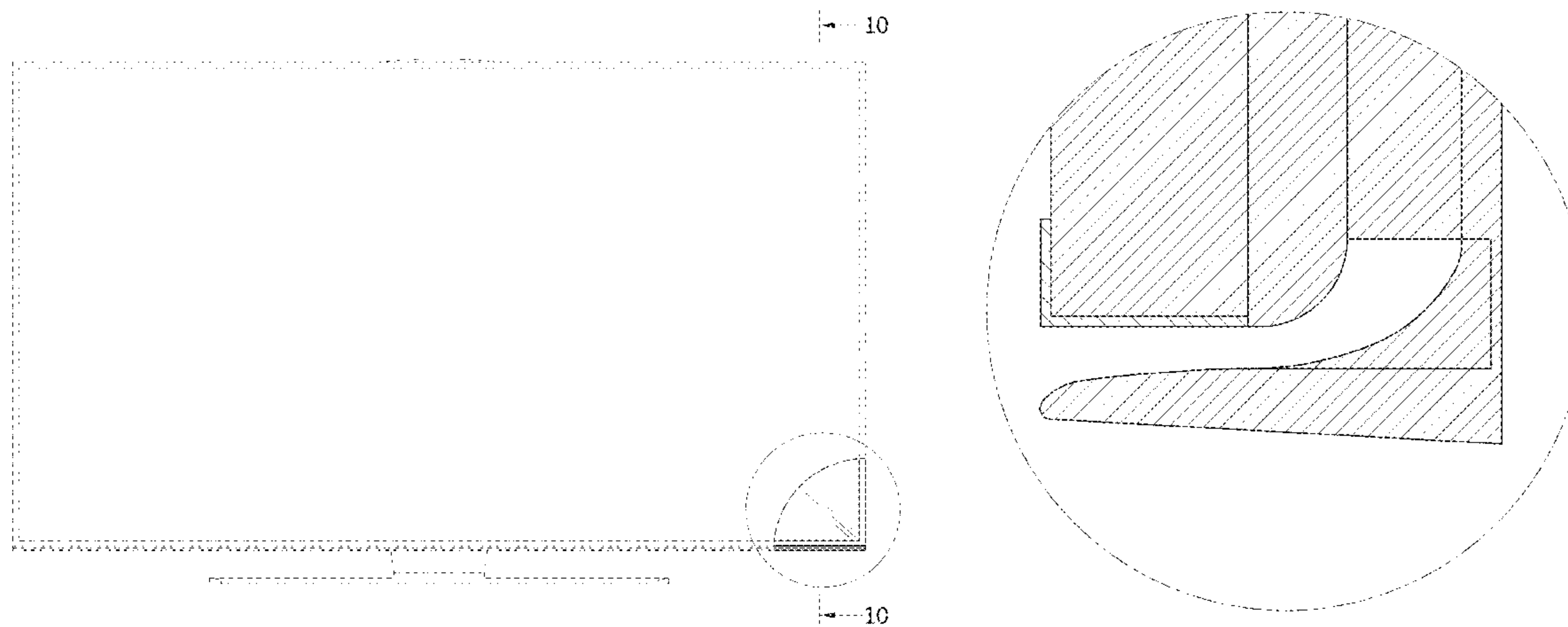


FIG. 1

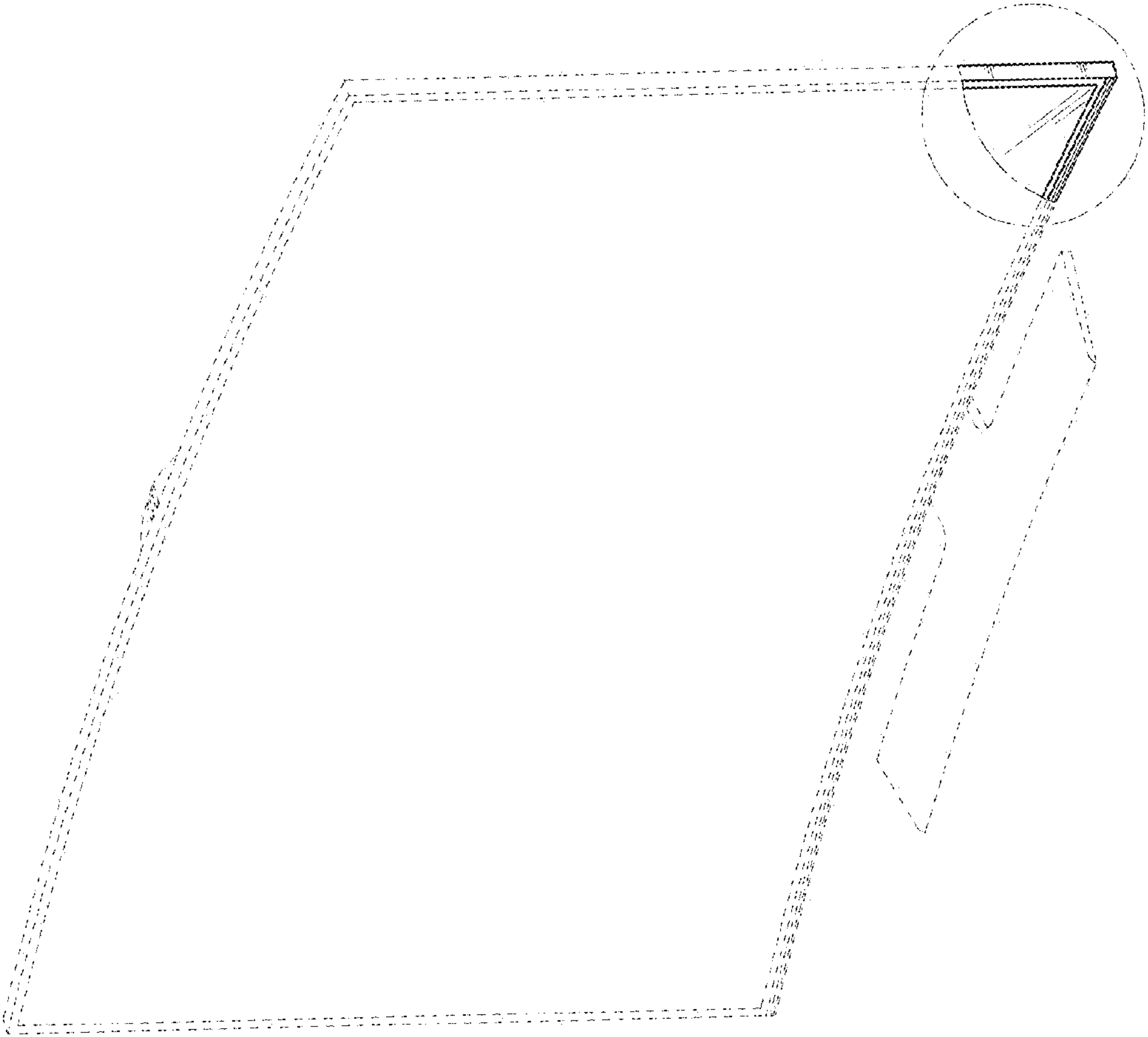


FIG. 2

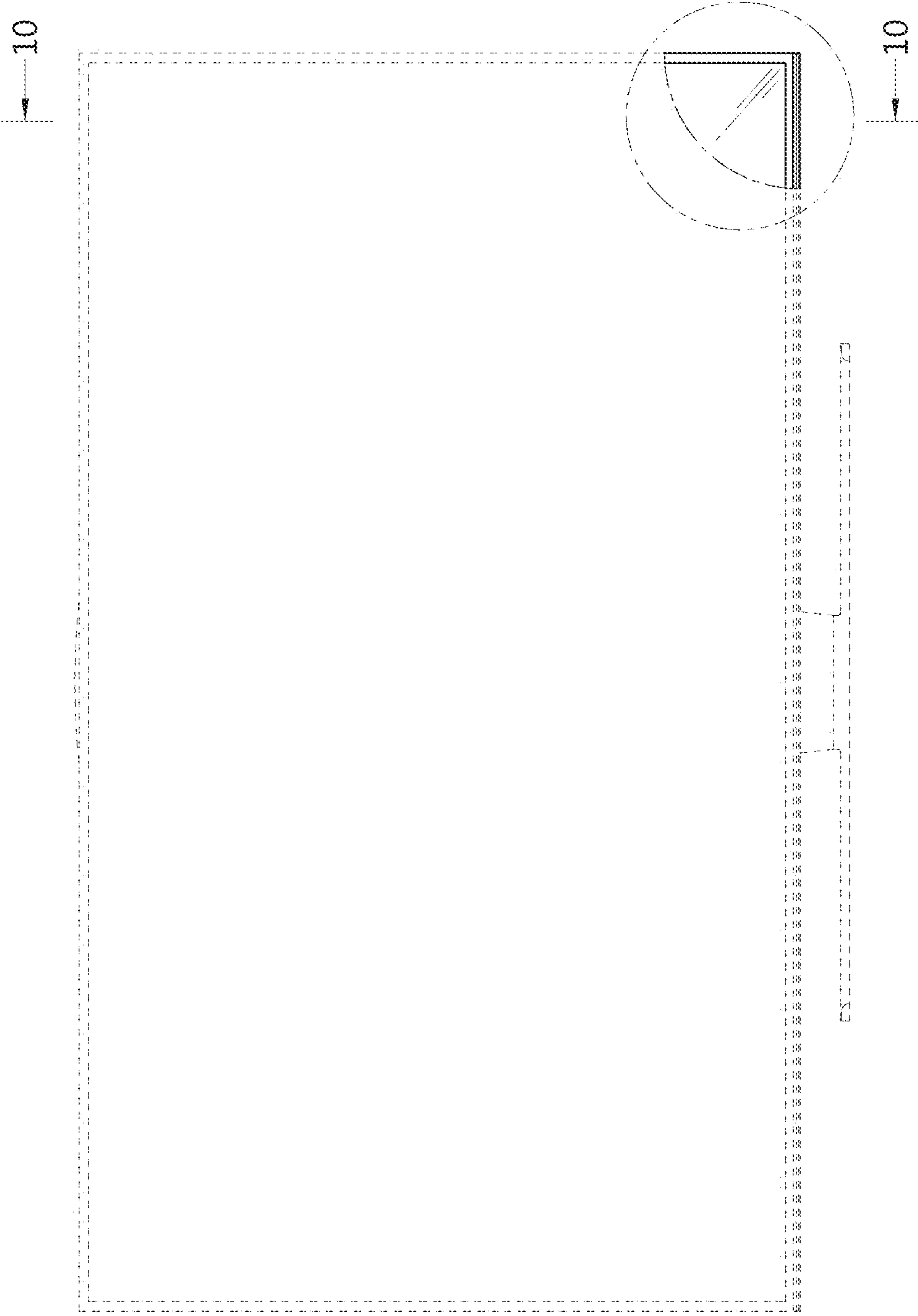


FIG. 3

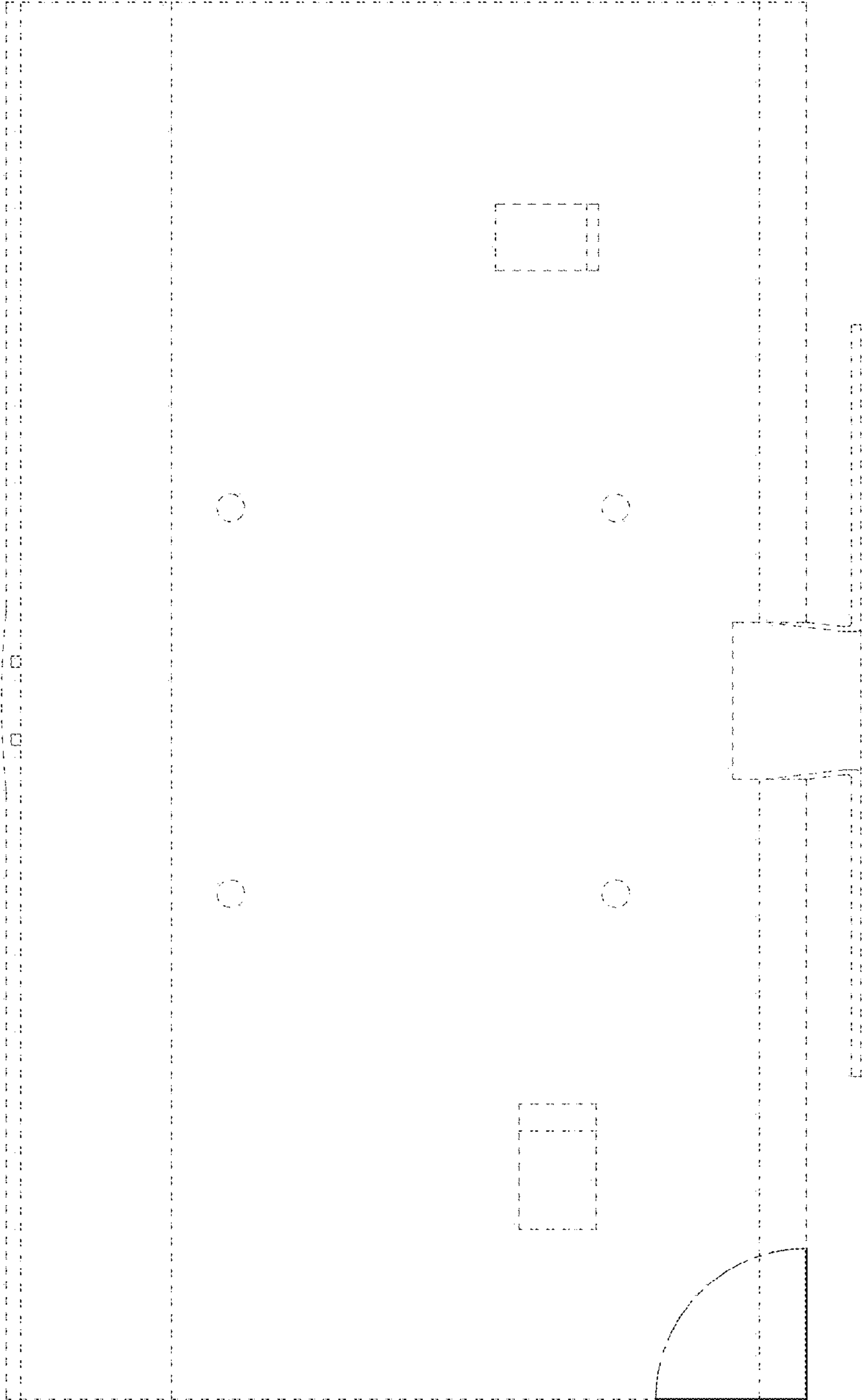


FIG. 4

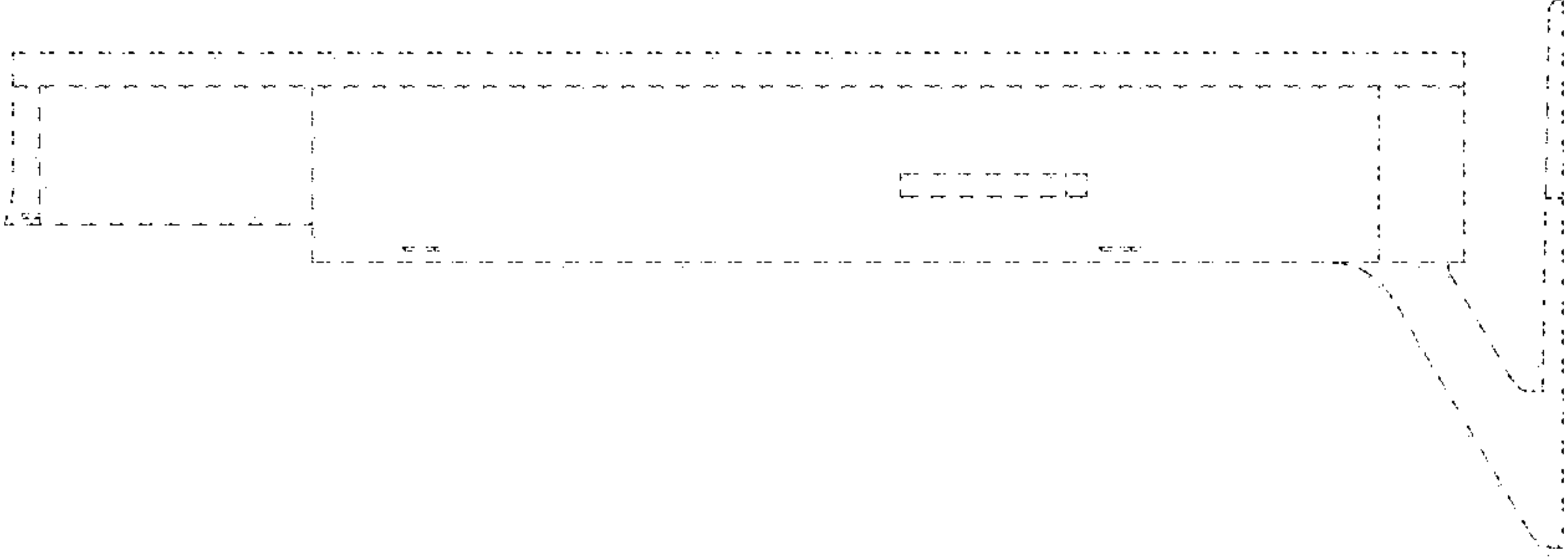


FIG. 5

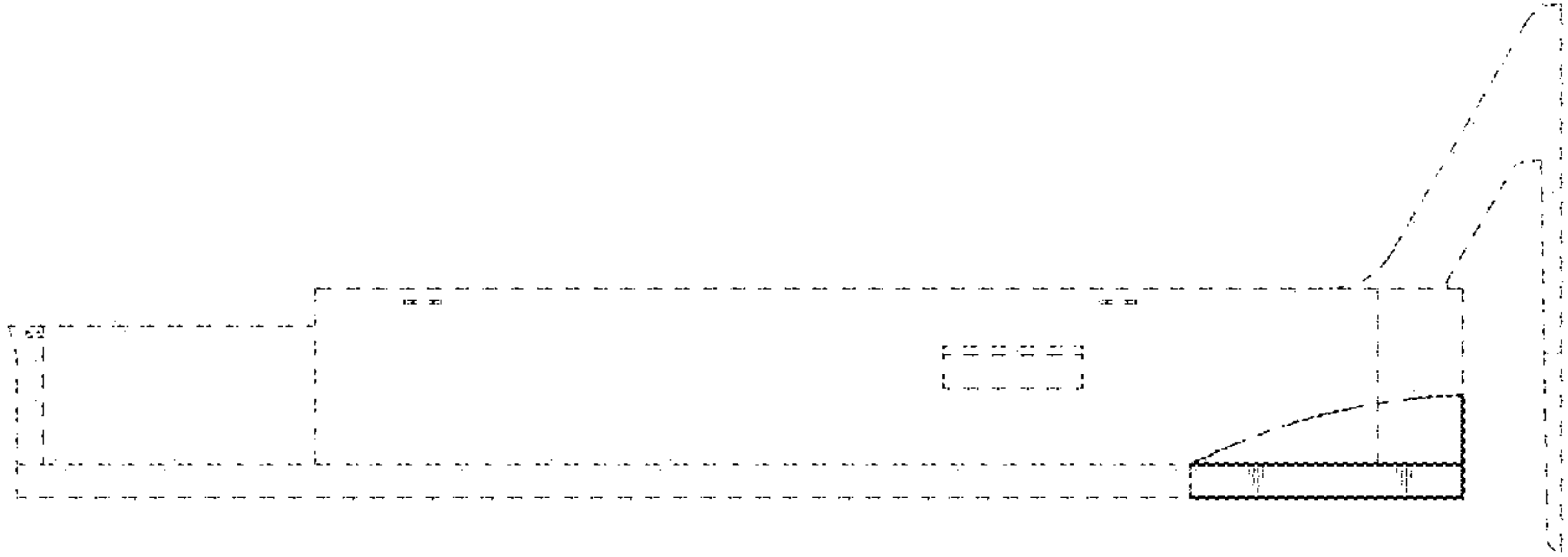


FIG. 6

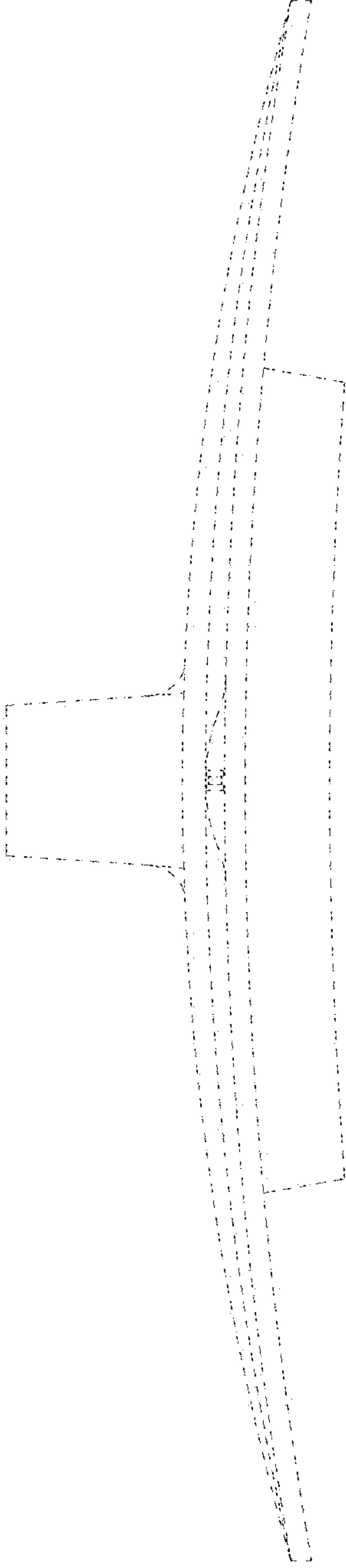


FIG. 7

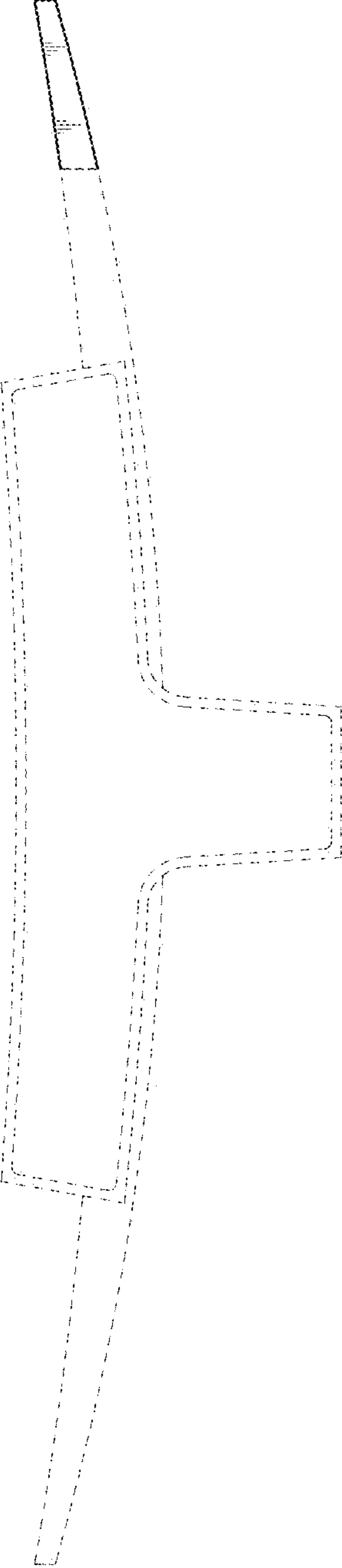




FIG. 8

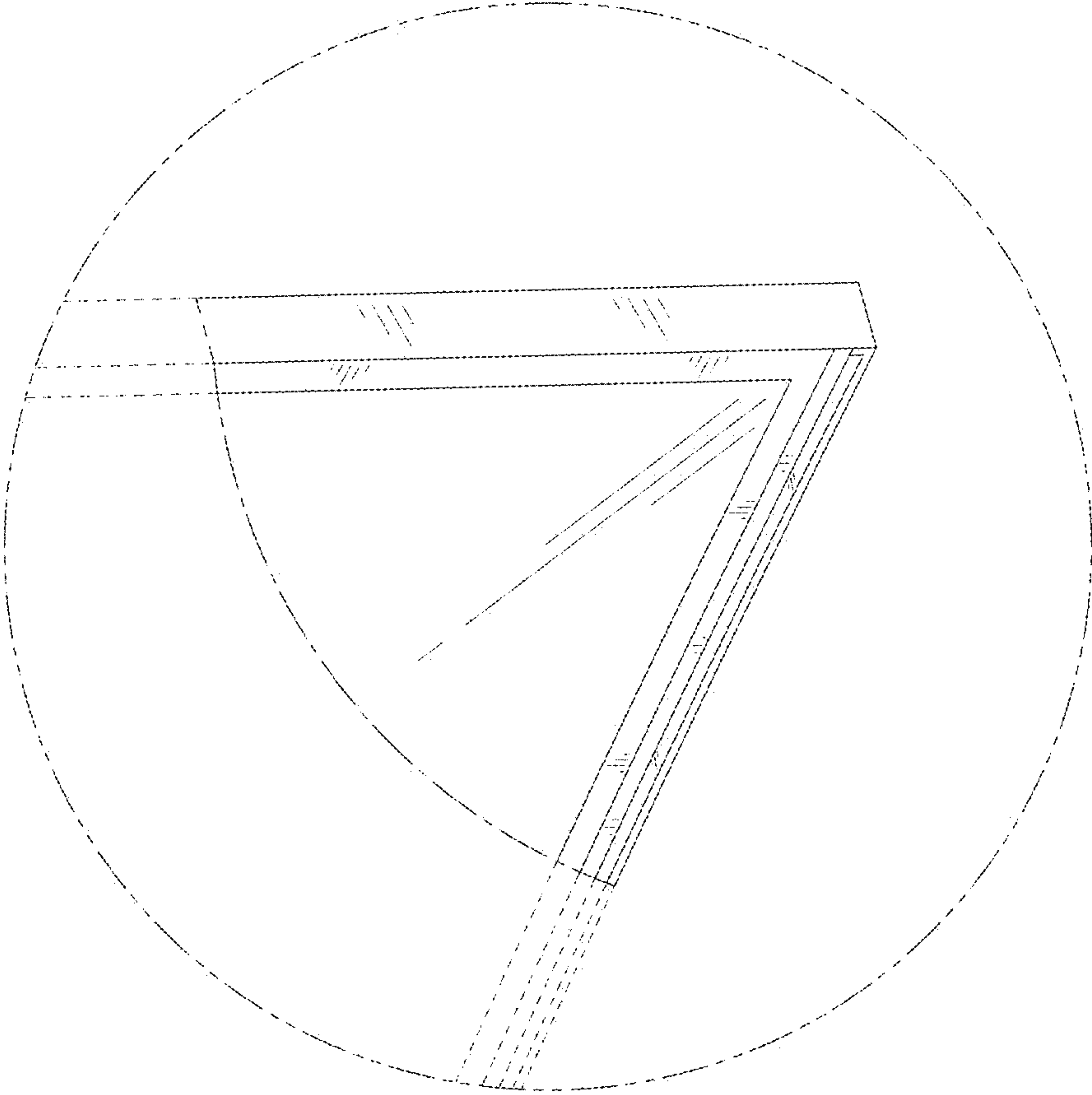


FIG. 9

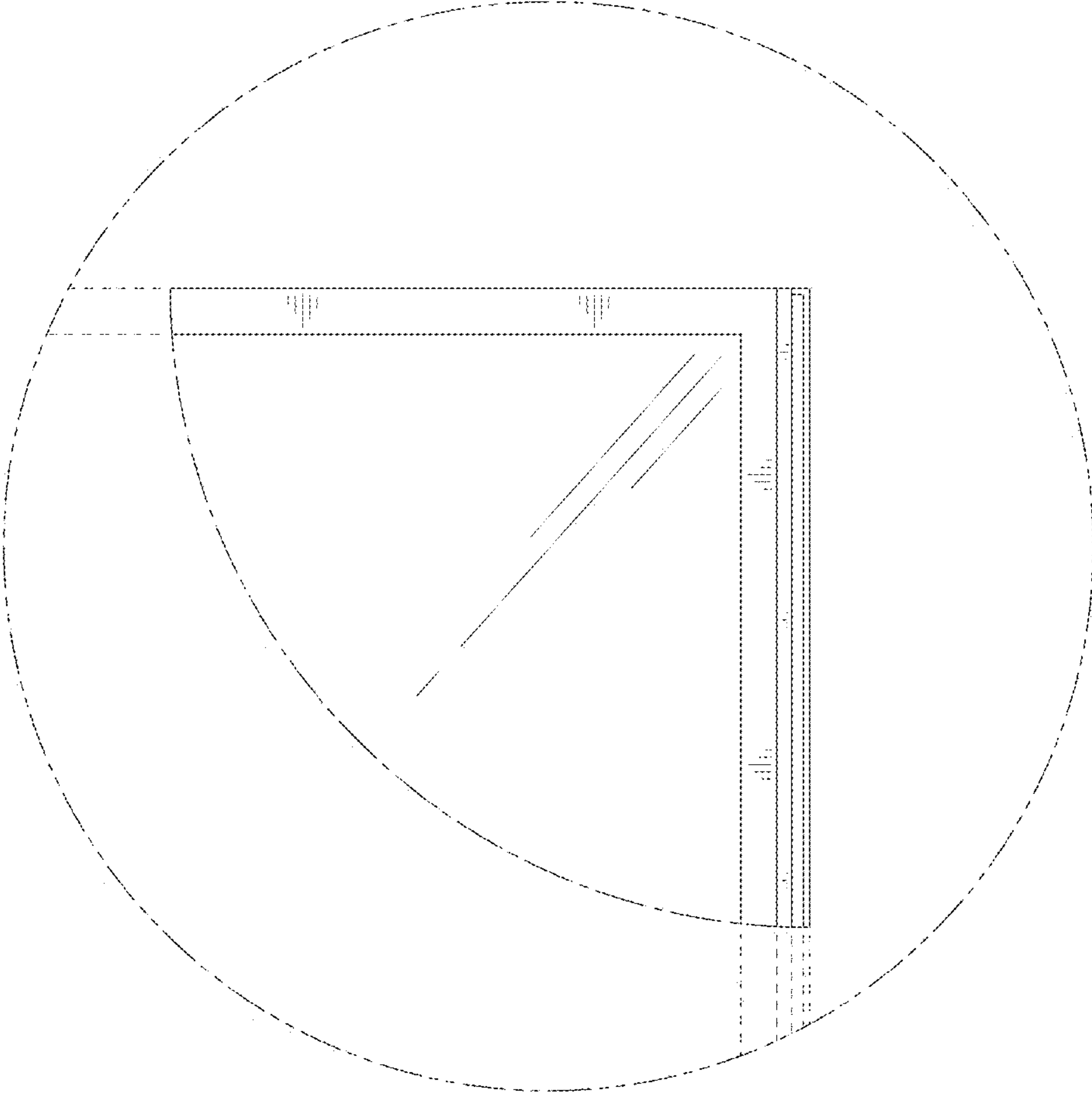


FIG. 10

