



US00D758979S

(12) **United States Design Patent**
Moon et al.

(10) **Patent No.:** **US D758,979 S**
(45) **Date of Patent:** **** Jun. 14, 2016**

(54) **COVER FOR ELECTRONIC DEVICE**

(71) Applicant: **Samsung Electronics Co., Ltd.**,
Suwon-si; Gyeonggi-do (KR)
(72) Inventors: **Ji Hyun Moon**, Gwangmyeong-si (KR);
Eun-ae Shally Lee, Seoul (KR)
(73) Assignee: **SAMSUNG ELECTRONICS CO.,**
LTD., Suwon-Si, Gyeonggi-Do (KR)
(**) Term: **15 Years**

(21) Appl. No.: **29/531,526**

(22) Filed: **Jun. 26, 2015**

(30) **Foreign Application Priority Data**

Jan. 20, 2015 (KR) 30-2015-0002821

(51) **LOC (10) Cl.** **13-03**

(52) **U.S. Cl.**
USPC **D13/184**

(58) **Field of Classification Search**
USPC D12/415; D13/110, 112, 118, 123, 133,
D13/146, 147, 154, 158-160, 173, 184,
D13/199; D14/137, 240, 358, 432, 434,
D14/440, 447
CPC H05K 9/00; H02G 3/14; H02G 3/12;
H01R 13/70; H01R 13/44; B60N 3/00;
A47B 81/00; H01J 5/00

See application file for complete search history.

(56) **References Cited**

U.S. PATENT DOCUMENTS

2,439,708	A *	4/1948	Abraham	H01R 13/70 174/66
D245,906	S *	9/1977	Taylor	D13/152
4,120,545	A *	10/1978	Happak	H05K 7/1421 174/50
4,652,696	A *	3/1987	Winnick	H01R 13/447 174/67
D437,299	S *	2/2001	Johnson	D12/415
D461,455	S *	8/2002	Forbes	D13/152
8,779,284	B2 *	7/2014	Wagner	H02G 3/081 174/50
D735,142	S *	7/2015	Hagarty	D13/152
2014/0090863	A1 *	4/2014	Korcz	H02G 3/086 174/50

* cited by examiner

Primary Examiner — Thomas Johannes
Assistant Examiner — Shawn T Gingrich
(74) *Attorney, Agent, or Firm* — Ladas & Parry LLP

(57) **CLAIM**

We claim the ornamental design for a cover for electronic device, as shown and described.

DESCRIPTION

FIG. 1 is the front perspective view of a cover for electronic device showing our new design;
FIG. 2 is the front view thereof;
FIG. 3 is the rear view thereof;
FIG. 4 is the left-side view thereof;
FIG. 5 is the right-side view thereof;
FIG. 6 is the top plan view thereof;
FIG. 7 is the bottom plan view thereof; and,
FIG. 8 is the front perspective view thereof shown in an example environment.
The broken lines in the drawing show unclaimed environment only and form no part of the claimed design.

1 Claim, 8 Drawing Sheets

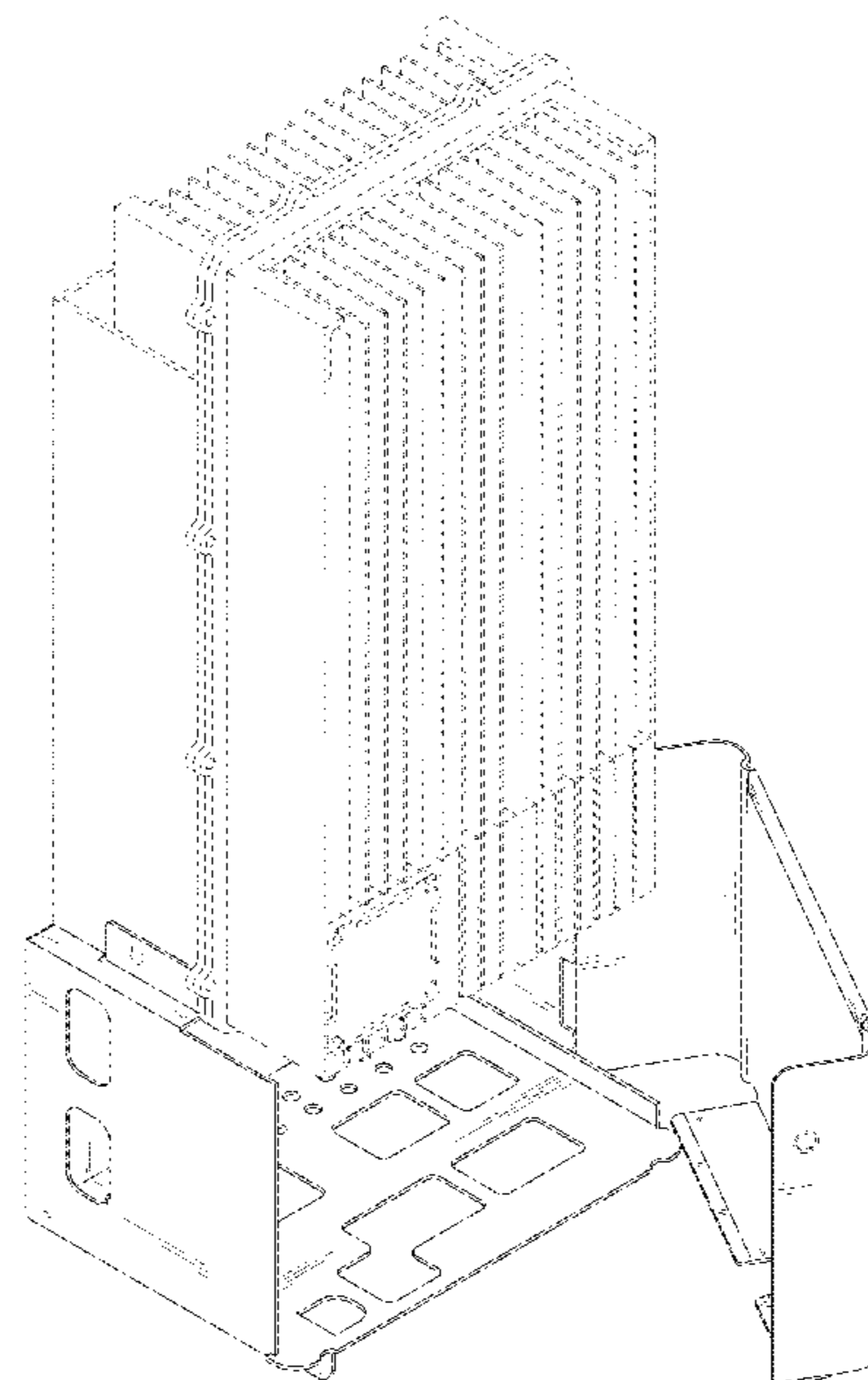
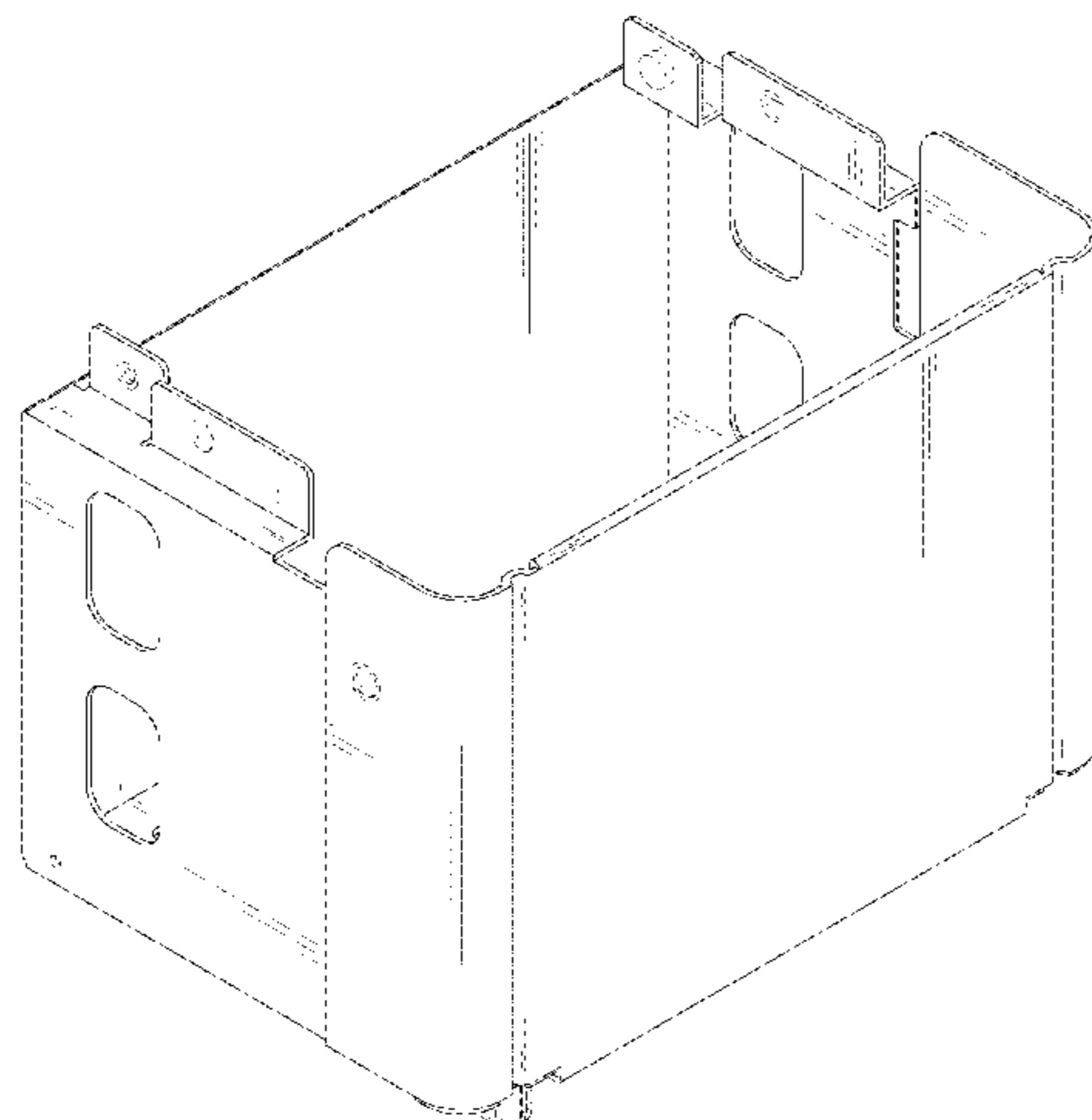


FIG. 1

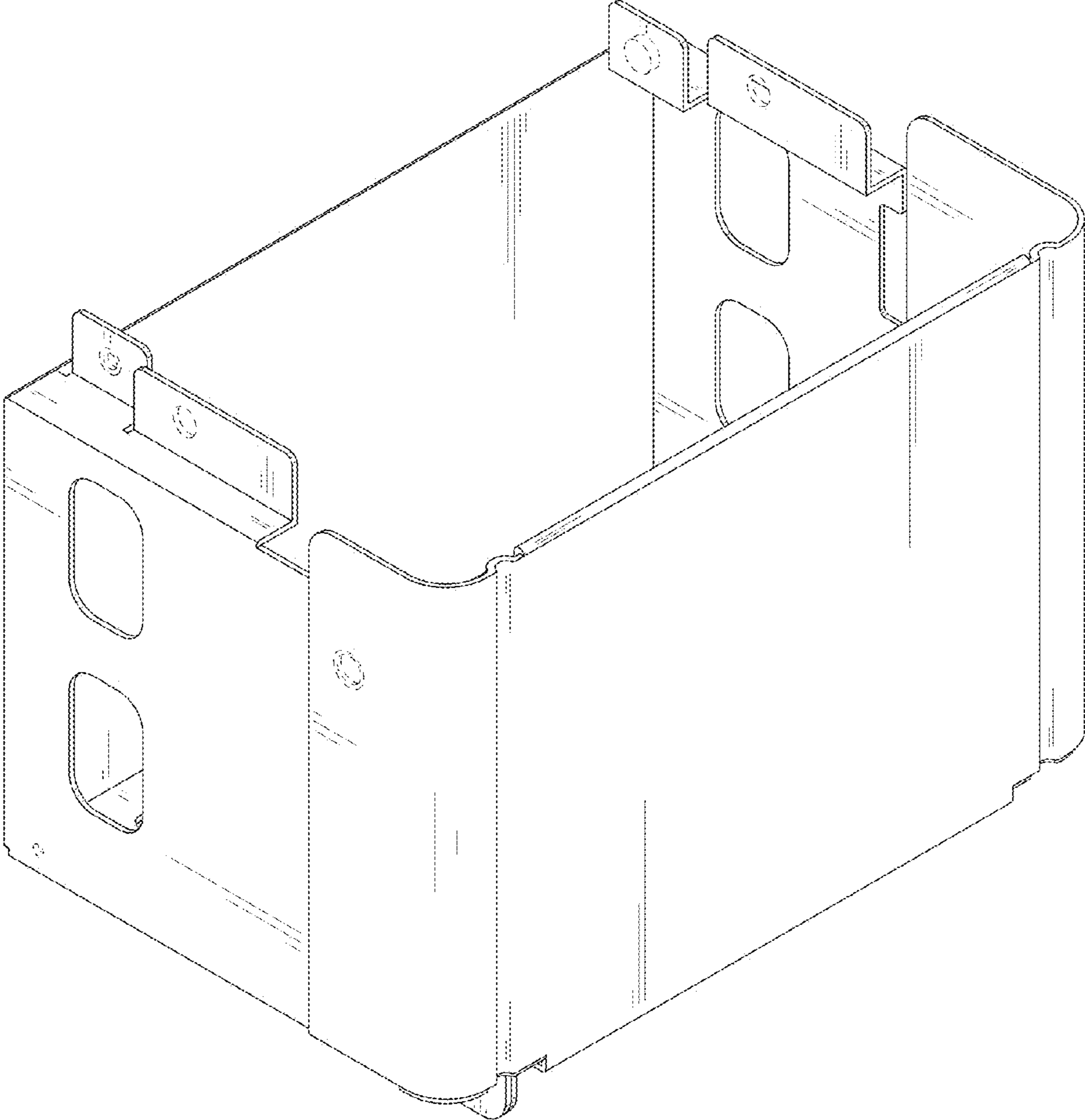


FIG. 2

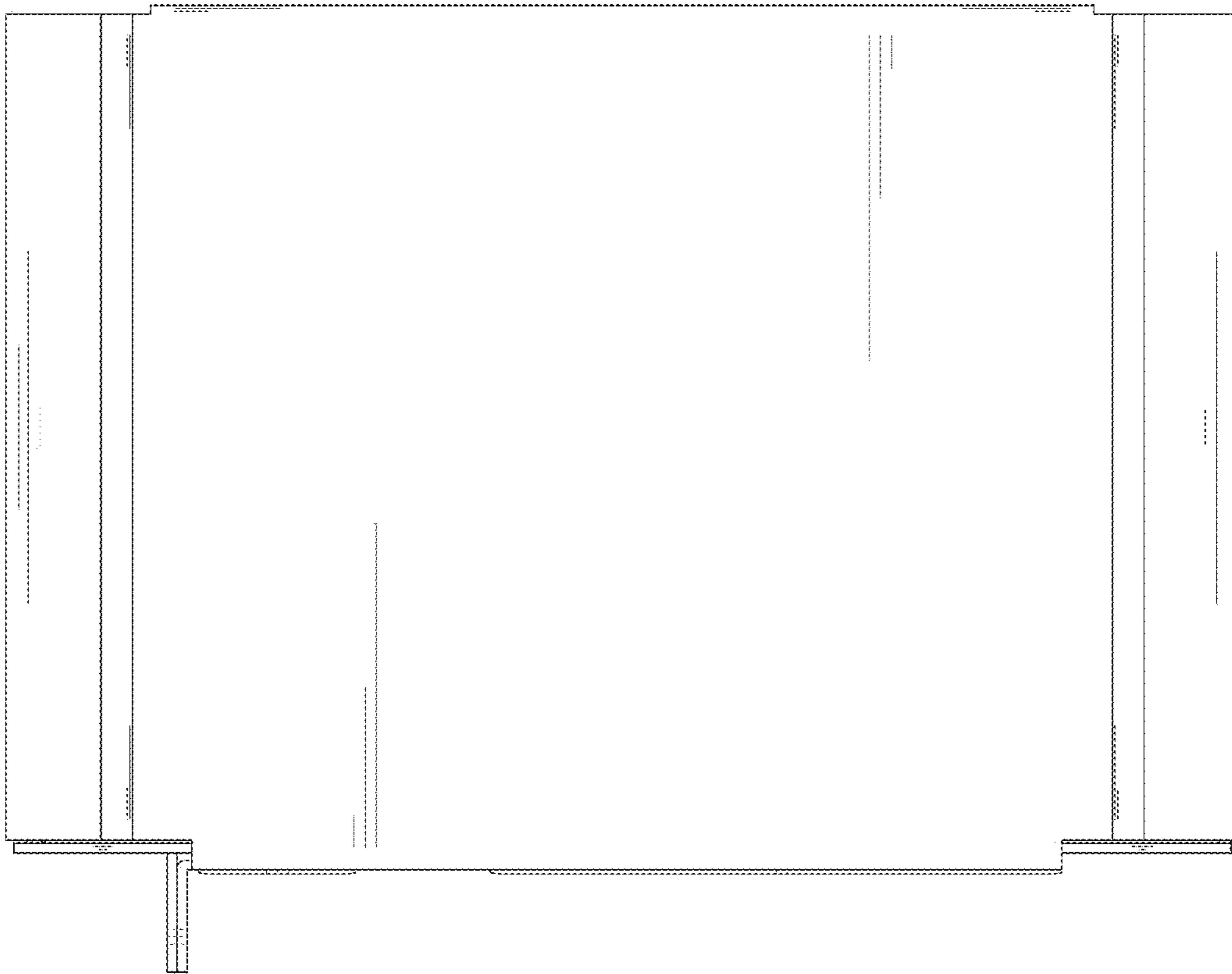


FIG. 3

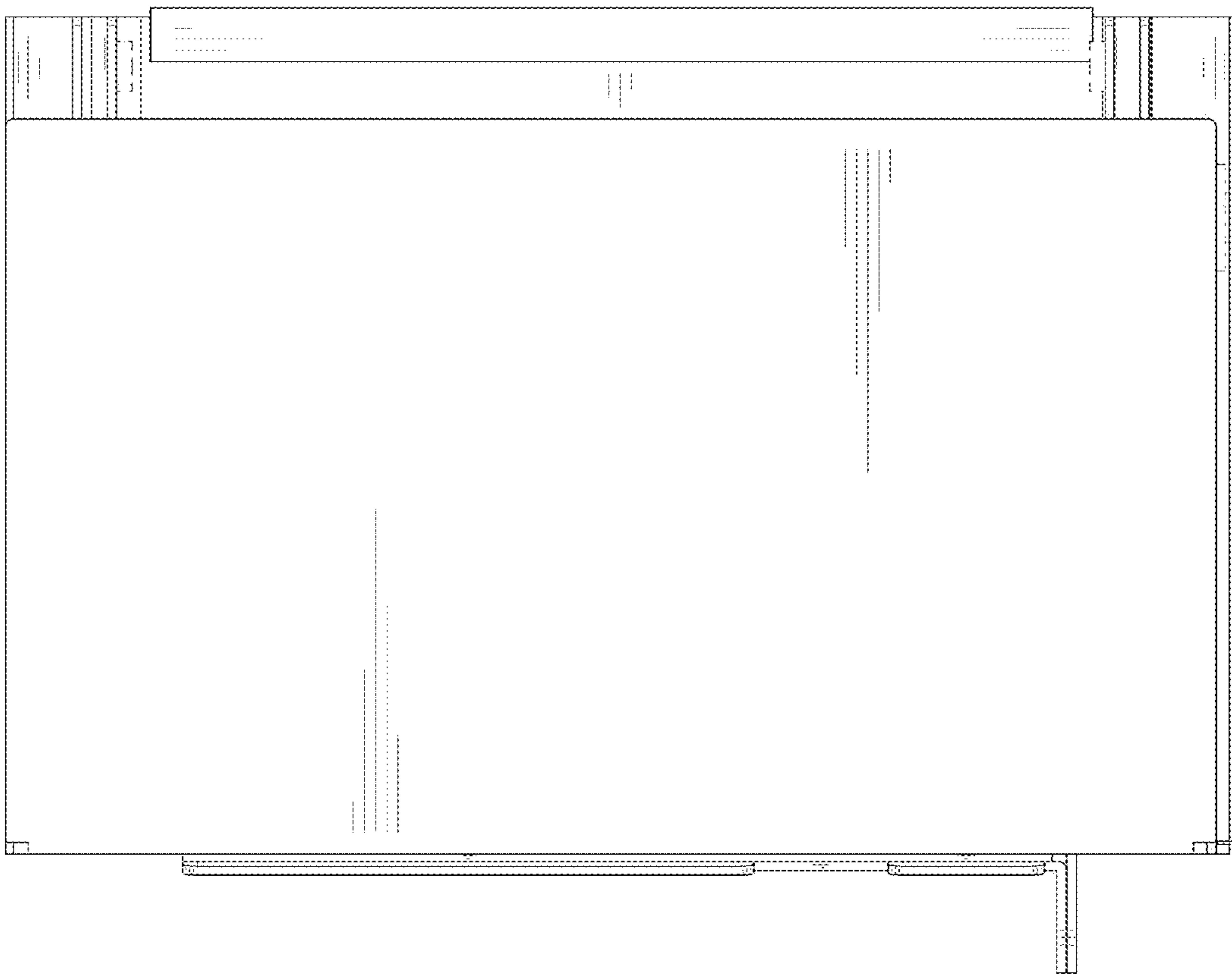


FIG. 4

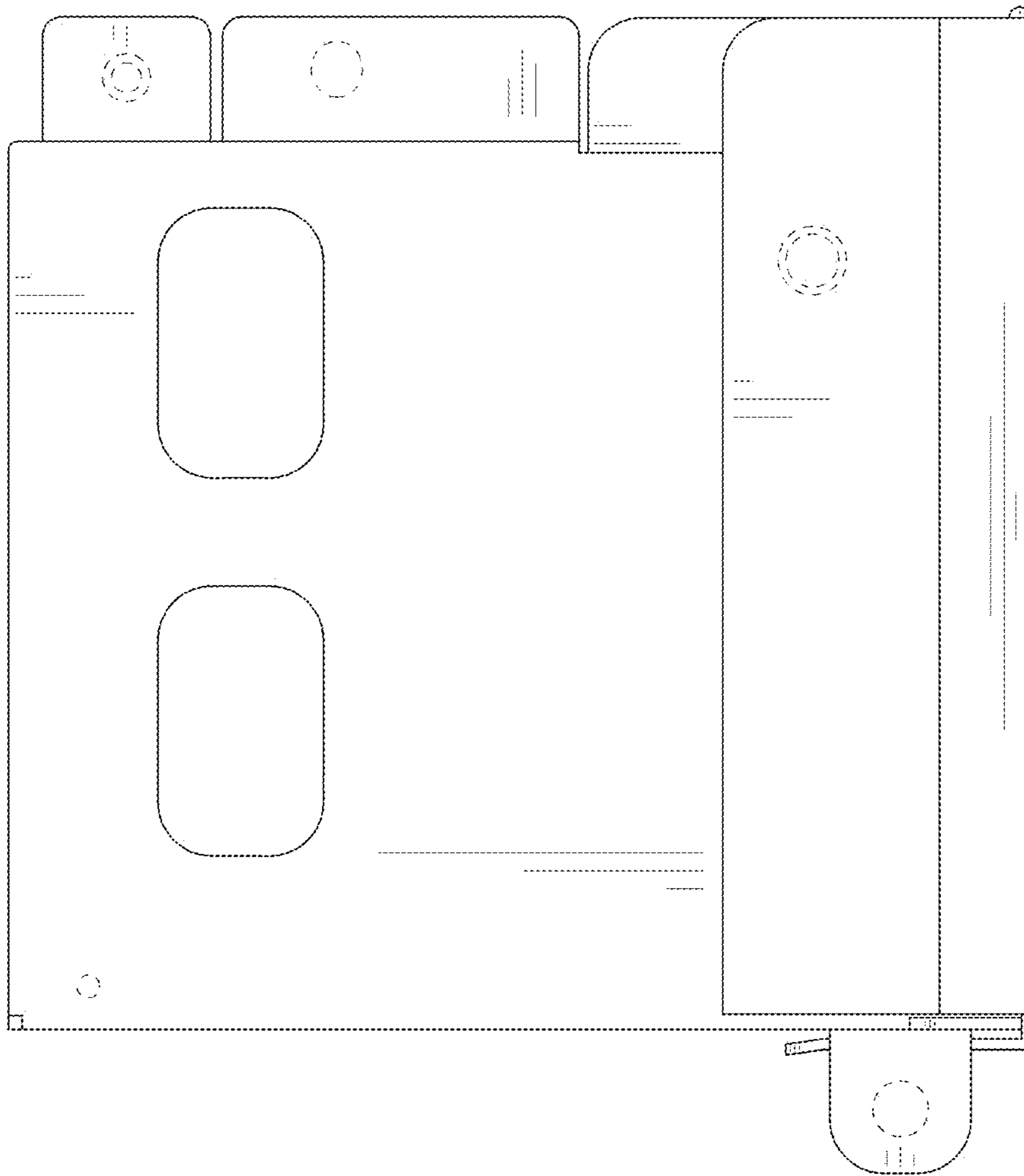


FIG. 5

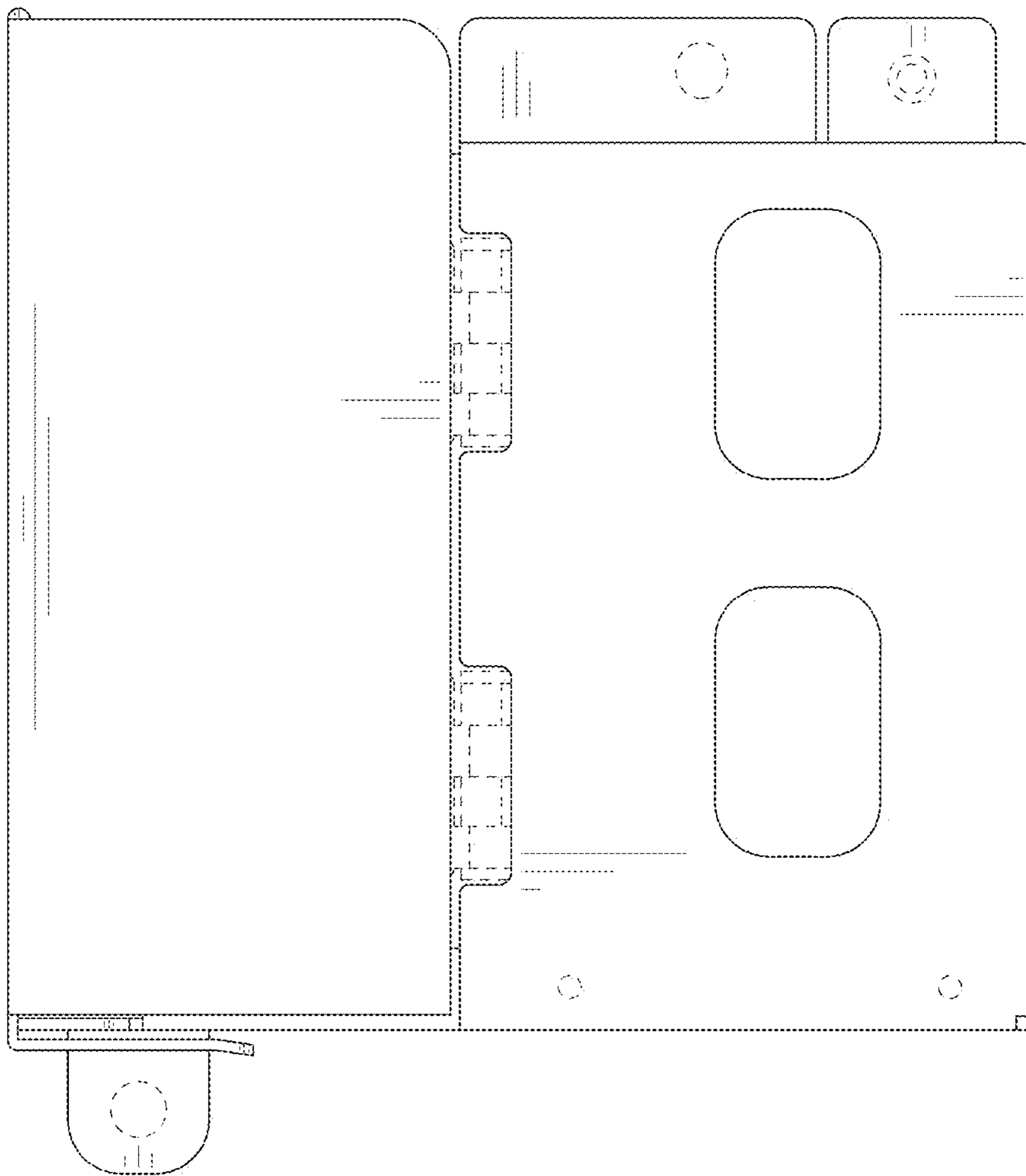


FIG. 6

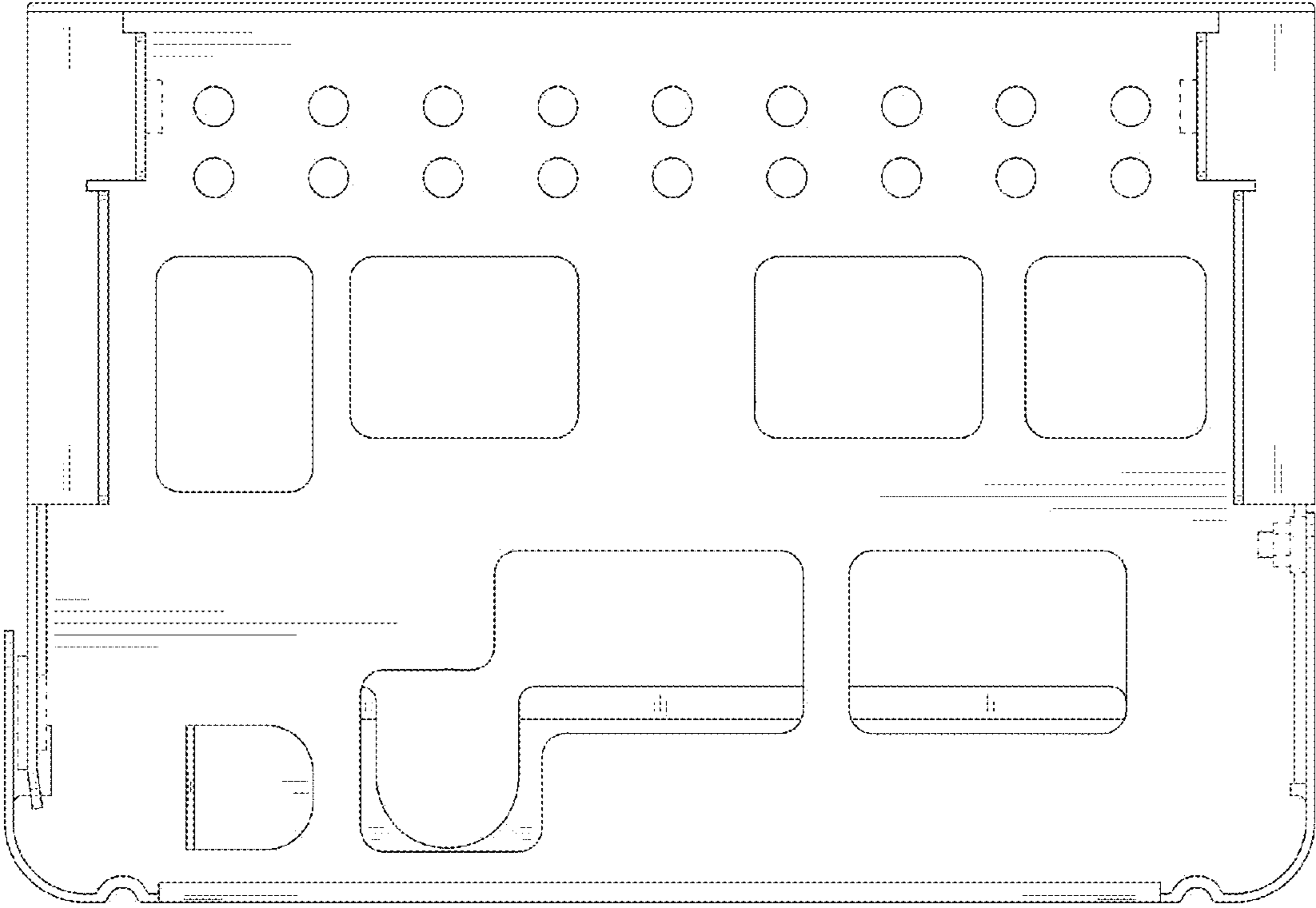


FIG. 7

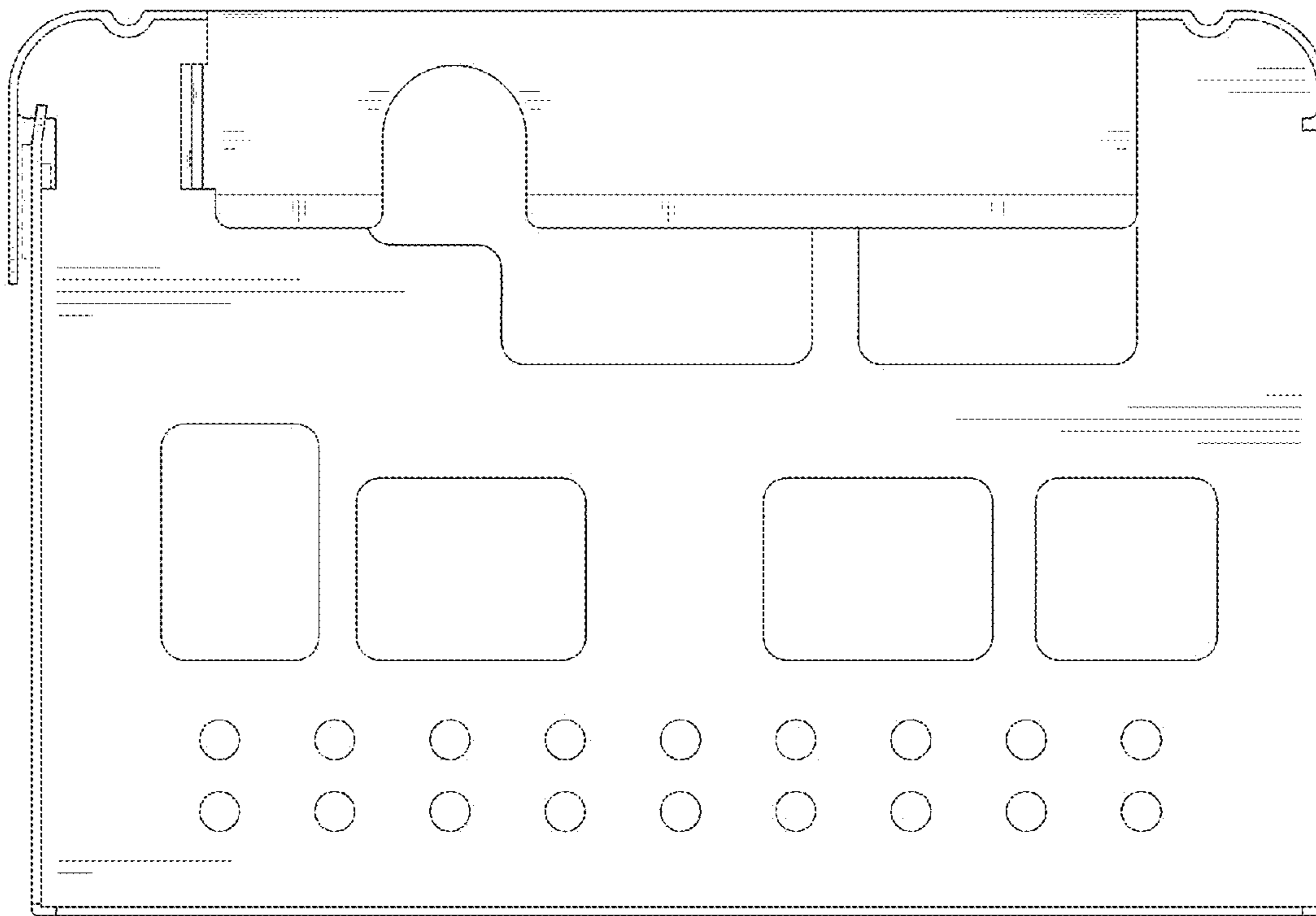


FIG. 8

