

US00D758975S

(12) **United States Design Patent**
Hunter et al.

(10) **Patent No.:** **US D758,975 S**
(45) **Date of Patent:** **** Jun. 14, 2016**

- (54) **CONTROL PANEL AND HUB**
- (71) Applicant: **HANDY BUTTON MACHINE CO.**,
Wheeling, IL (US)
- (72) Inventors: **Thomas Hunter**, Williams Bay, WI
(US); **Pete Zerillo**, Chicago, IL (US)
- (73) Assignee: **HANDY BUTTON MACHINE CO.**,
Wheeling, IL (US)
- (**) Term: **14 Years**
- (21) Appl. No.: **29/517,695**
- (22) Filed: **Feb. 16, 2015**
- (51) **LOC (10) Cl.** **13-03**
- (52) **U.S. Cl.**
USPC **D13/162; D13/174**
- (58) **Field of Classification Search**
USPC D13/162, 171, 173, 174
CPC H01H 3/02; H01H 3/022; H01H 3/12;
H01H 3/122; H01H 9/02; H01H 9/0235;
H01H 13/023; H01H 13/04; H01H 13/06;
H01H 13/063; H01H 13/10; H01H 13/12;
H01H 13/14; H01H 13/36; H01H 13/70;
H01H 13/86; H01H 21/24; H01H 25/065;
A47C 1/0345; A47C 1/035; A47C 7/506
See application file for complete search history.

D712,848 S	9/2014	Dorn et al.	
D714,233 S	9/2014	Dorn et al.	
D720,305 S	12/2014	Wenji	
D733,078 S *	6/2015	Wu	D13/171
D740,238 S *	10/2015	Dorn	D13/174
D748,590 S	2/2016	Dorn et al.	
2011/0198894 A1 *	8/2011	Hsieh	A47C 1/0242 297/68
2014/0353134 A1 *	12/2014	Muller	H01H 3/20 200/5 A
2015/0251573 A1 *	9/2015	Misch	B60N 2/665 297/452.41

Primary Examiner — Selina Sikder
(74) *Attorney, Agent, or Firm* — Marshall, Gerstein & Borun
LLP

(57) **CLAIM**

The ornamental design for a control panel and hub and the like, as shown and described.

DESCRIPTION

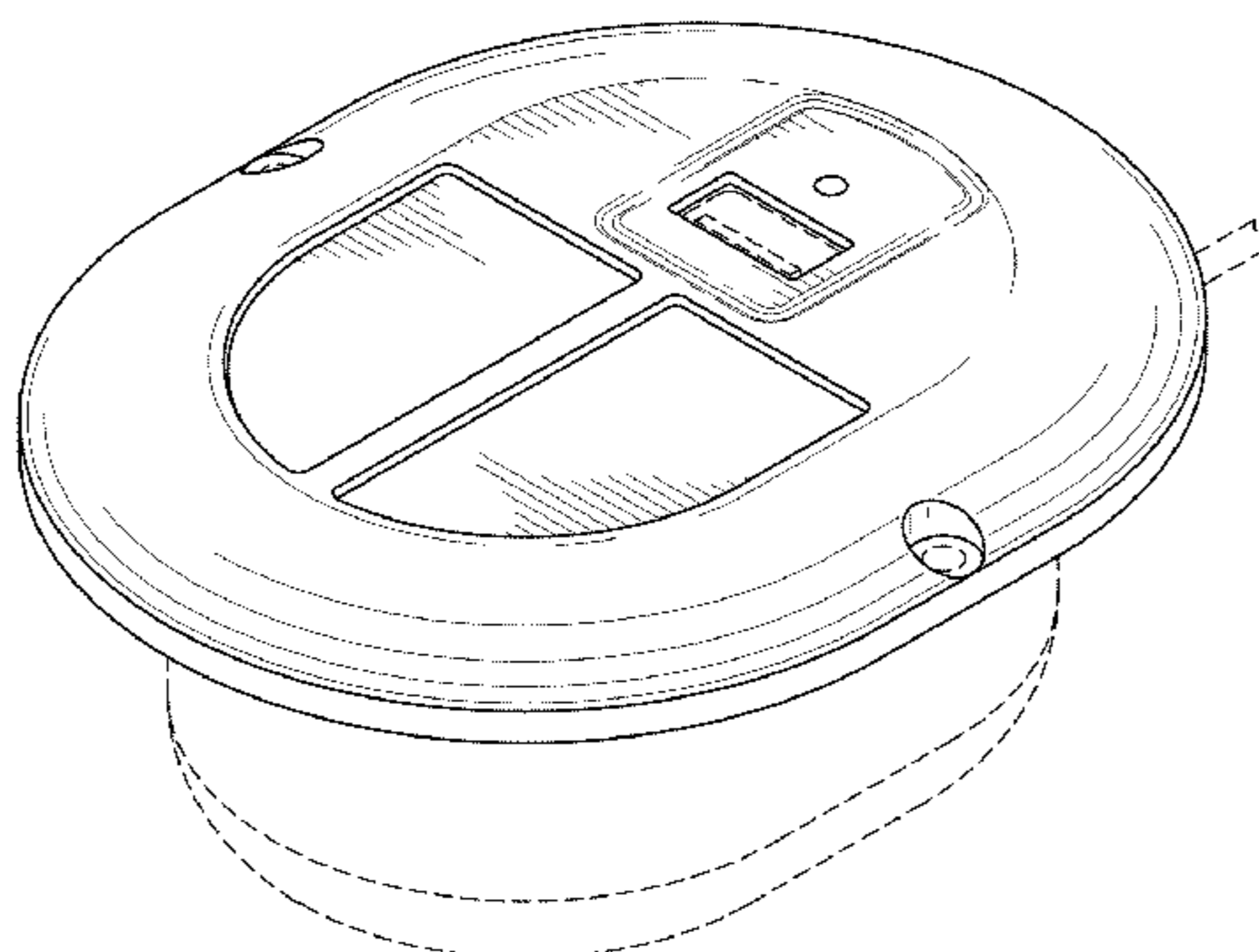
FIG. 1 is a perspective view of the control panel and hub of the present invention;
 FIG. 2 is a perspective view of the control panel and hub shown in FIG. 1, illustrating a light thereof in an illuminated state;
 FIG. 3 is a bottom view of the control panel and hub shown in FIG. 1;
 FIG. 4 is a top view of the control panel and hub shown in FIG. 1;
 FIG. 5 is a right side view of the control panel and hub shown in FIG. 1;
 FIG. 6 is a left side view of the control panel and hub shown in FIG. 1; and,
 FIG. 7 is a front view of the control panel and hub shown in FIG. 1.
 The portions of the drawings shown in broken lines are for illustrative purposes only and form no part of the claimed design.
 The radiating dashed lines in FIG. 2 illustrate a feature of the claimed design in an illuminated state.

1 Claim, 5 Drawing Sheets

(56) **References Cited**

U.S. PATENT DOCUMENTS

7,217,897 B2 *	5/2007	Mattarelli	H01H 13/04 200/293
D556,268 S *	11/2007	Luciano, Jr.	D13/171
D685,333 S	7/2013	Beroukas et al.	
D691,098 S	10/2013	Li et al.	
D691,099 S	10/2013	Li et al.	
D691,971 S	10/2013	Li et al.	
D692,401 S	10/2013	Li et al.	
D692,841 S	11/2013	Li et al.	
D700,150 S *	2/2014	Li	D13/174
D707,640 S	6/2014	Li et al.	
8,766,115 B2 *	7/2014	Kristen	H01H 25/065 200/5 A



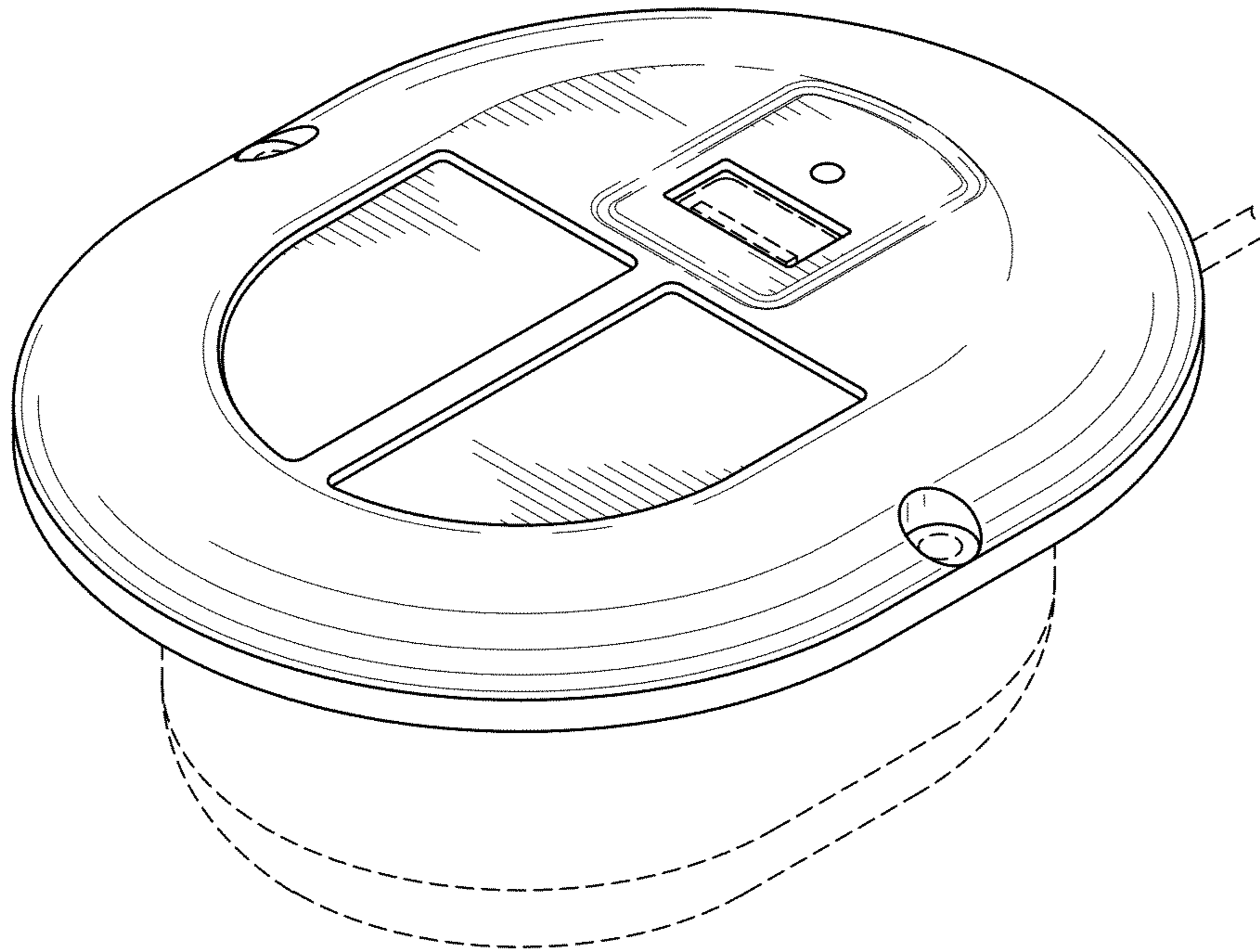


FIG. 1

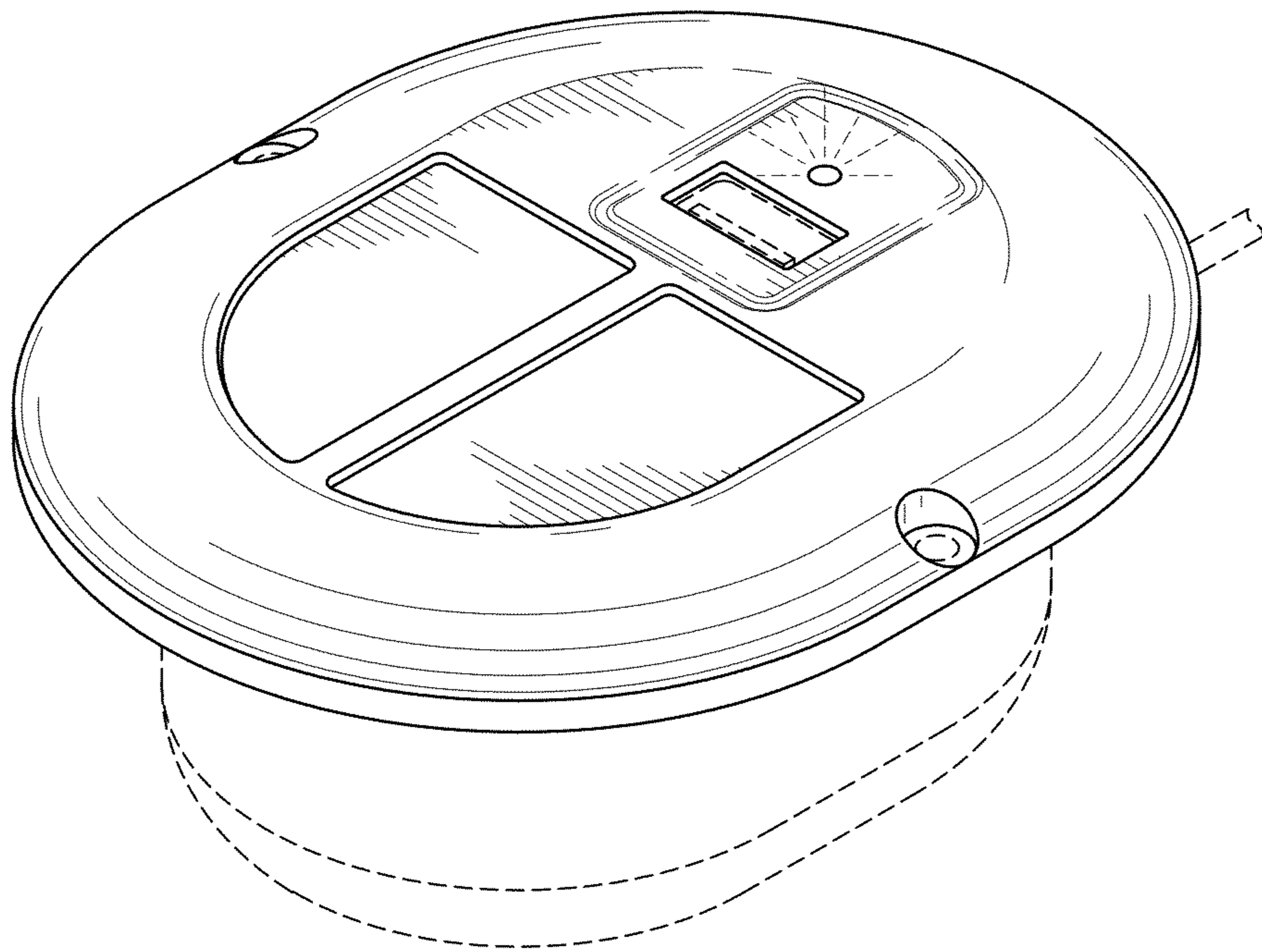


FIG. 2

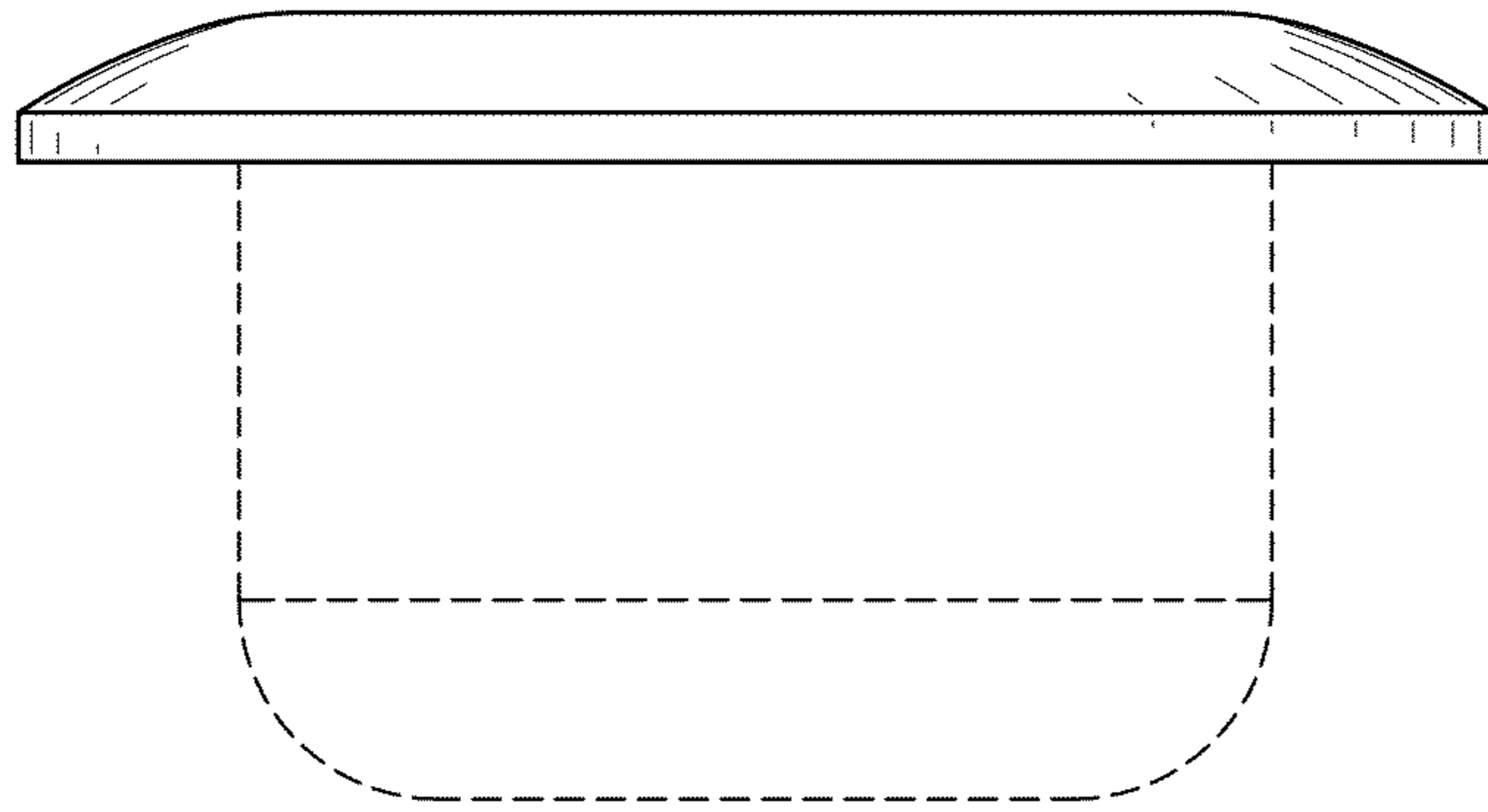


FIG. 3

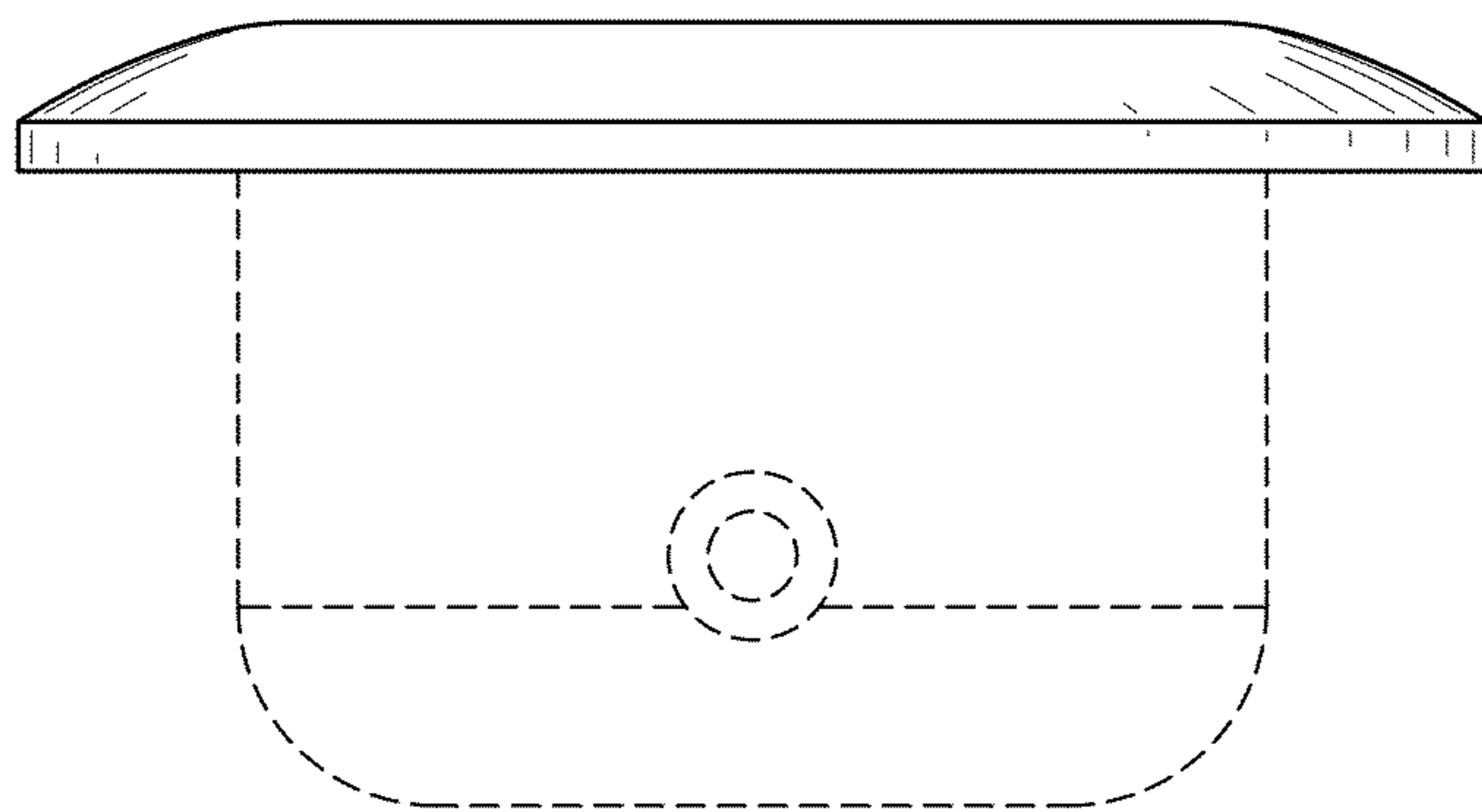


FIG. 4

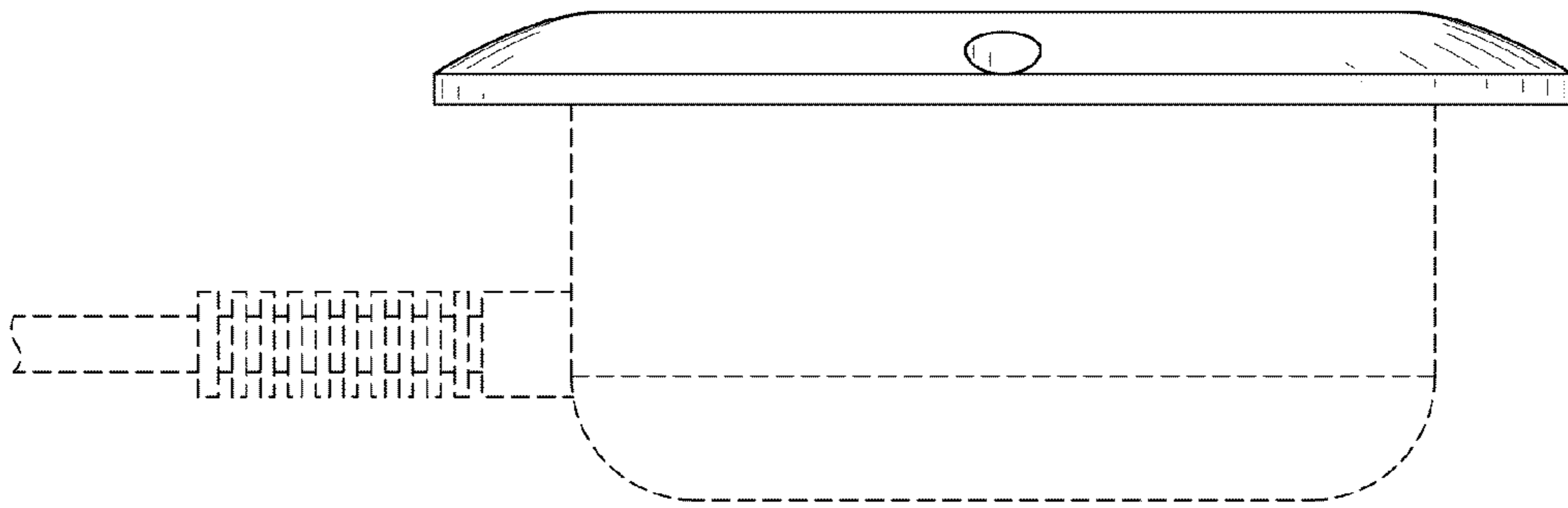


FIG. 5

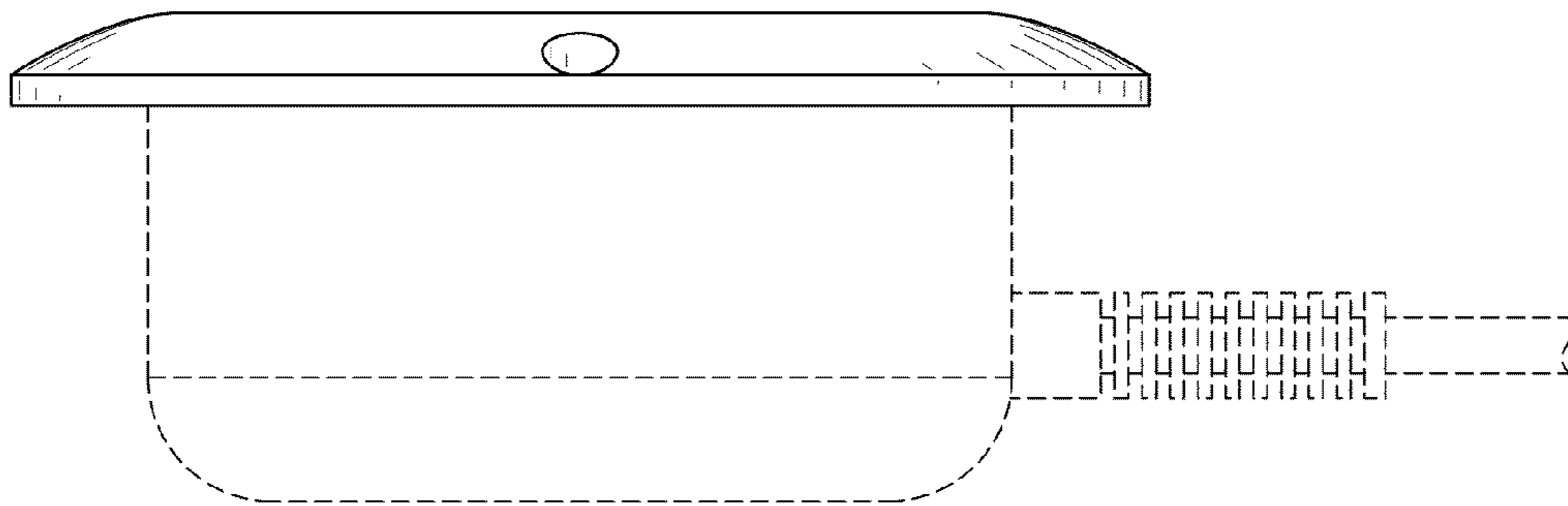


FIG. 6

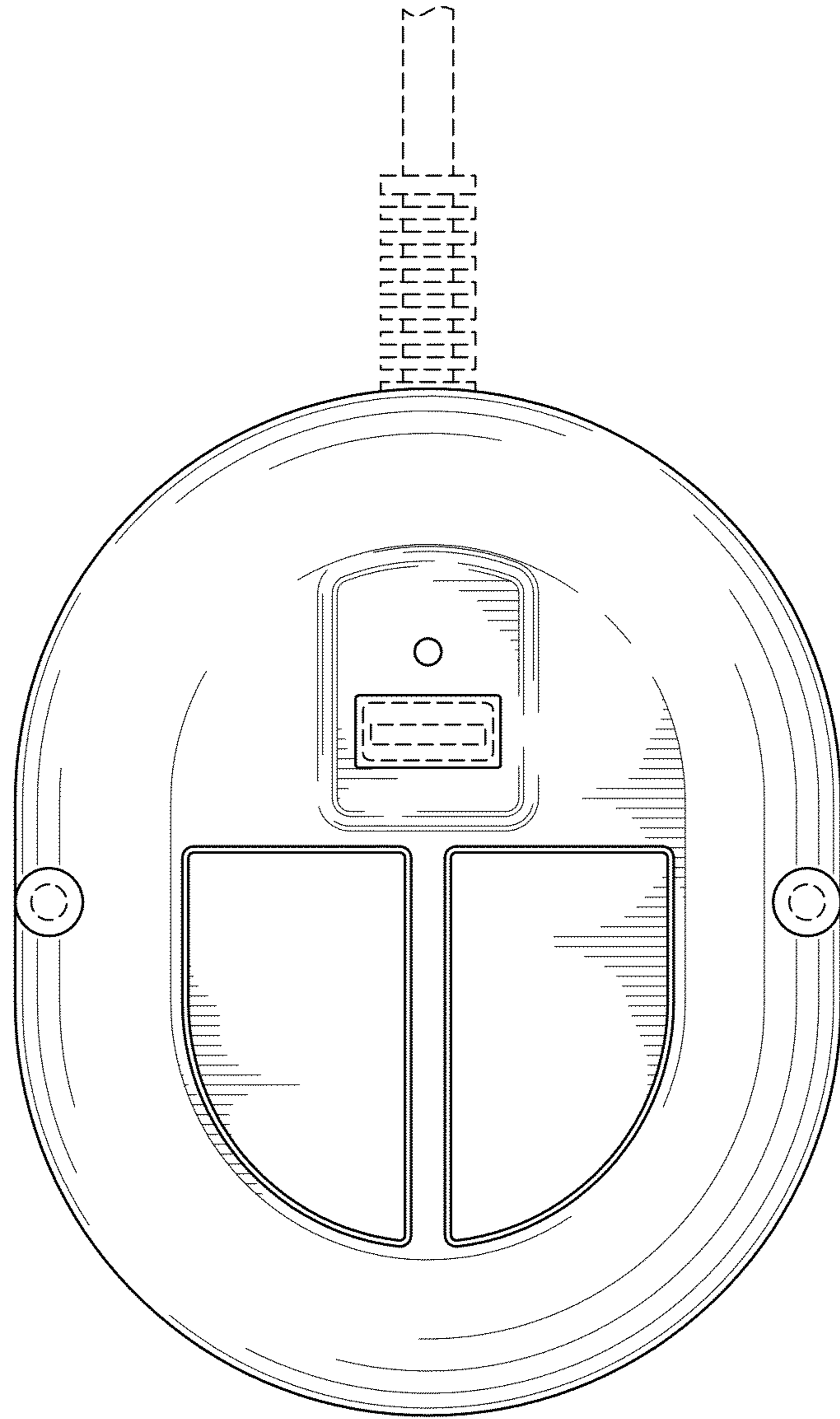


FIG. 7