



US00D758974S

(12) **United States Design Patent**
Ferguson et al.

(10) **Patent No.:** **US D758,974 S**
(45) **Date of Patent:** **** Jun. 14, 2016**

(54) **CONDUCTOR CABLE GUIDE DEVICE**

(71) Applicants: **Jamie Allen Ferguson**, Agency, MO
(US); **Carl Allen Ferguson**, Kearney,
MO (US)

(72) Inventors: **Jamie Allen Ferguson**, Agency, MO
(US); **Carl Allen Ferguson**, Kearney,
MO (US)

(**) Term: **15 Years**

(21) Appl. No.: **29/541,719**

(22) Filed: **Oct. 7, 2015**

Related U.S. Application Data

(63) Continuation-in-part of application No. 14/855,555,
filed on Sep. 16, 2015.

(51) **LOC (10) Cl.** **13-03**

(52) **U.S. Cl.**
USPC **D13/155**

(58) **Field of Classification Search**
USPC 254/134, 403, 371, 411; 104/112;
D13/155, 153, 156, 157, 184, 199;
D8/349, 354, 356, 394, 396; 174/68.1,
174/68.2, 68.3; 248/49, 53, 60; 361/827;
385/134, 135; 439/207, 210, 446, 445,
439/447; 242/585.5
CPC H02G 1/04; H02G 1/02; H02G 1/06;
H02G 9/06; H02G 3/045; H02G 3/046;
H02G 3/0487; H02G 3/26; H02G 5/06;
B66D 1/36; G02B 6/4452; G02B 6/4459;
G02B 6/4478; G02B 6/3608; B29C 47/0028;
B65H 49/32

See application file for complete search history.

(56) **References Cited**

U.S. PATENT DOCUMENTS

3,584,837 A * 6/1971 Reilly, Sr. H02G 1/04
254/134.3 PA
3,829,064 A * 8/1974 Jackson B66D 1/828
254/134.3 R

3,847,052 A * 11/1974 D'Morcaldi D04G 1/00
254/134.3 R
4,006,865 A * 2/1977 Howard B65H 49/32
242/388.7
4,009,754 A * 3/1977 Cullen B65H 51/04
166/77.1
4,385,738 A * 5/1983 McDonald B65H 49/32
242/129.6
4,420,143 A * 12/1983 Harris H02G 1/04
254/134.3 PA
D286,493 S * 11/1986 Floyd 242/598.5
D345,904 S * 4/1994 Sauber D8/354
5,806,787 A * 9/1998 Schneider B65H 49/325
242/129.5
6,299,100 B1 * 10/2001 Cloud B65H 49/32
242/129.6
6,360,984 B1 * 3/2002 England B65H 16/02
242/557
6,523,777 B2 * 2/2003 Gaudio B65H 49/24
242/594.1
6,533,248 B1 * 3/2003 Schafer B65H 49/32
254/134.3 FT
6,651,921 B1 * 11/2003 Travis B65H 49/28
242/487
D556,022 S * 11/2007 Henry D8/356
D663,698 S * 7/2012 Allwood D13/155
D692,838 S * 11/2013 Winn D13/155
2012/0223179 A1 * 9/2012 Galindo Gonzalez . B65H 49/32
242/598.5

* cited by examiner

Primary Examiner — Derrick Holland
Assistant Examiner — Jennifer O King
(74) *Attorney, Agent, or Firm* — Dale J. Ream

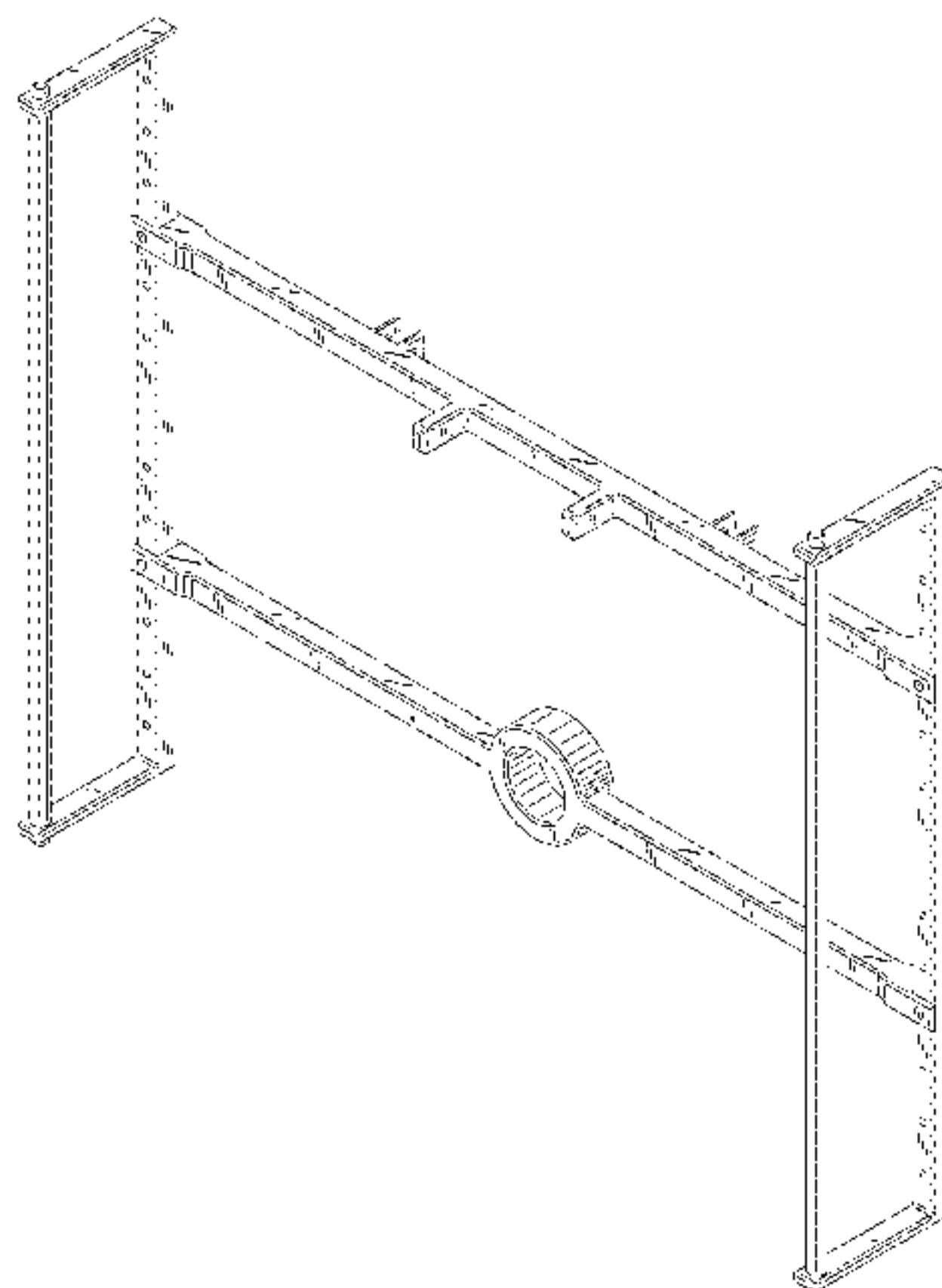
(57) **CLAIM**

The ornamental design for a conductor cable guide device, as shown and described.

DESCRIPTION

FIG. 1 is a perspective view of a conductor cable guide device showing our new design;
FIG. 2 is a front view thereof;
FIG. 3 is a back view thereof;
FIG. 4 is a right side view thereof;
FIG. 5 is a left side view thereof;
FIG. 6 is a top view thereof; and,
FIG. 7 is a bottom view thereof.

1 Claim, 5 Drawing Sheets



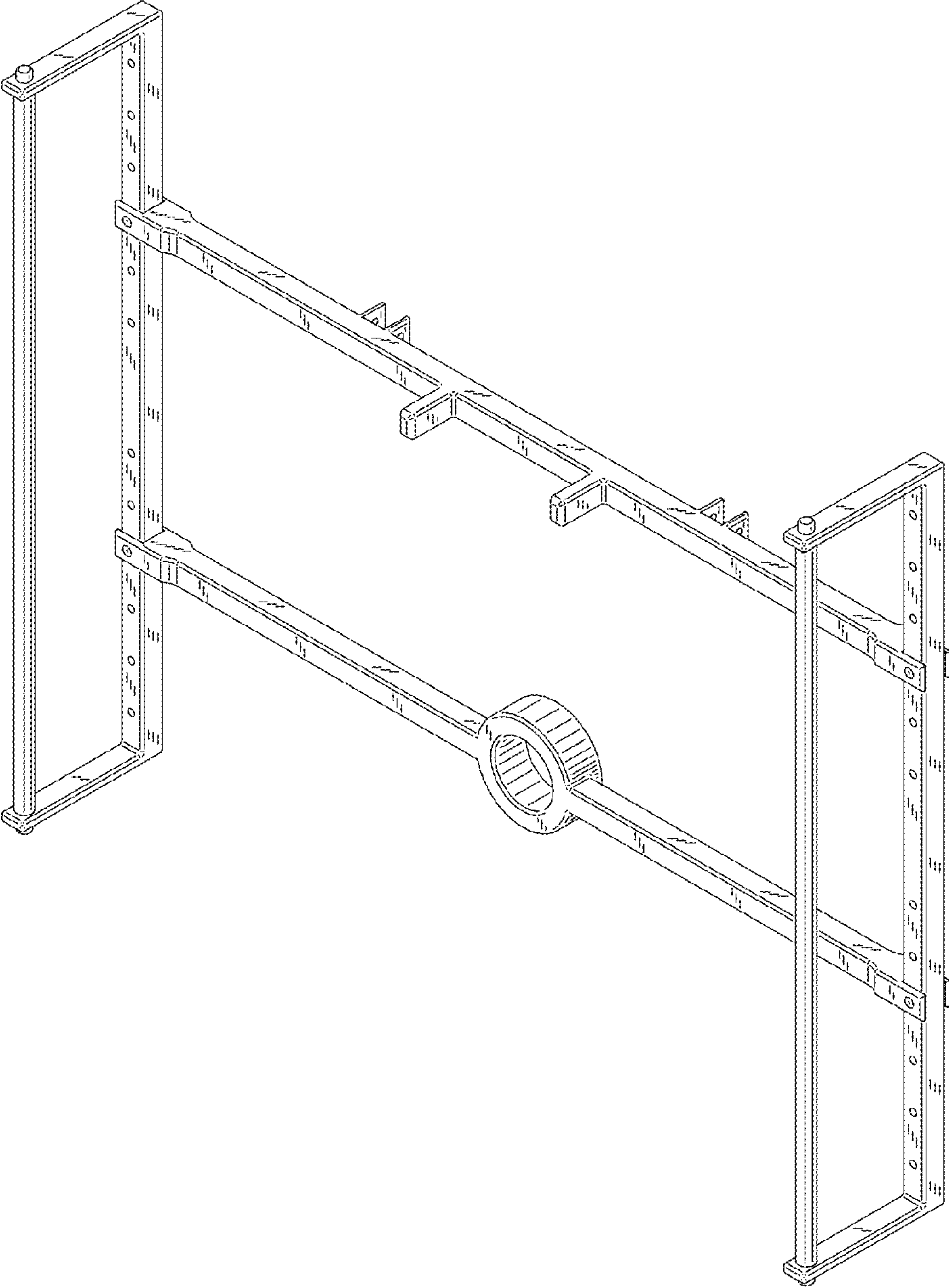


FIG. 1

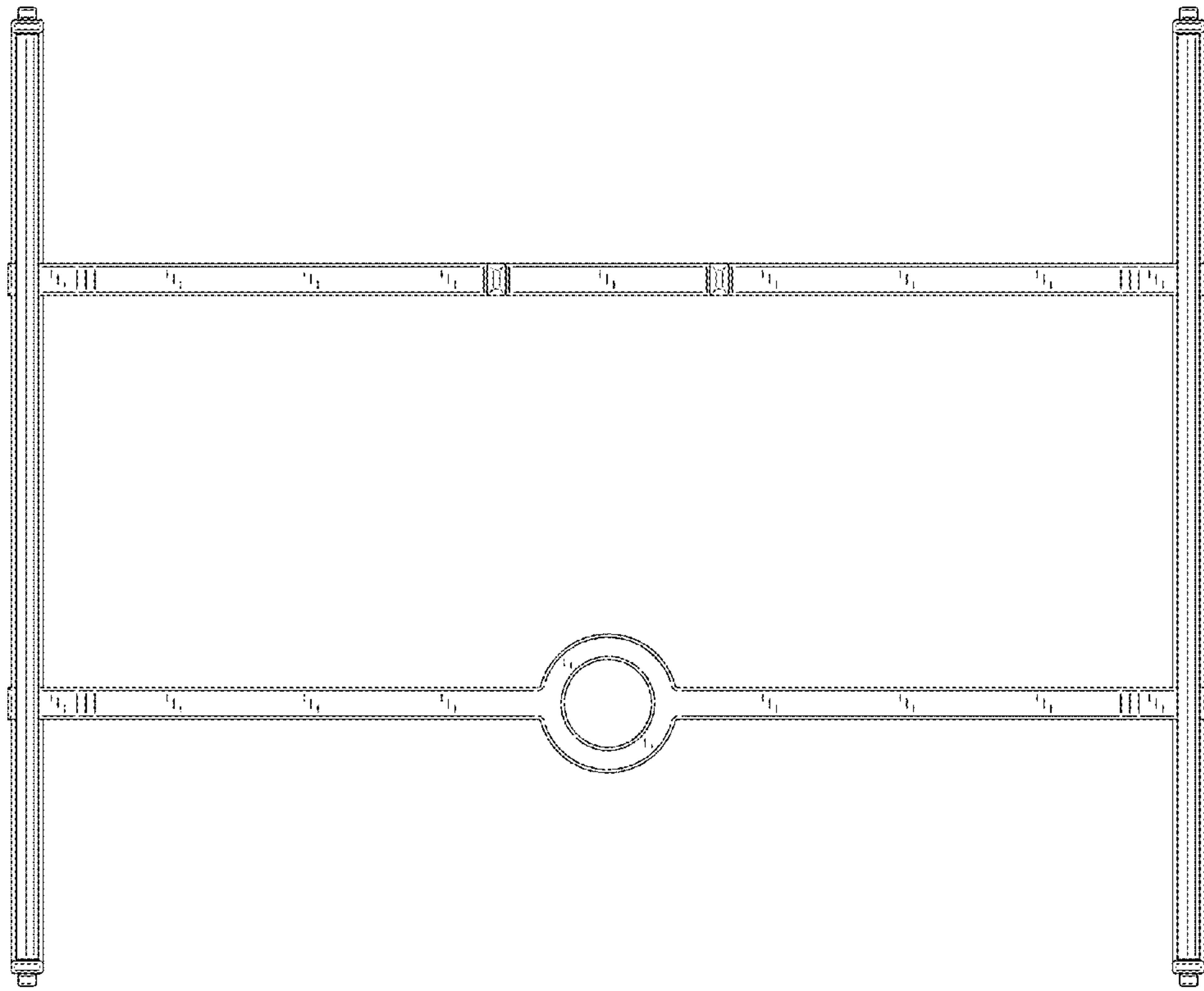


FIG. 2

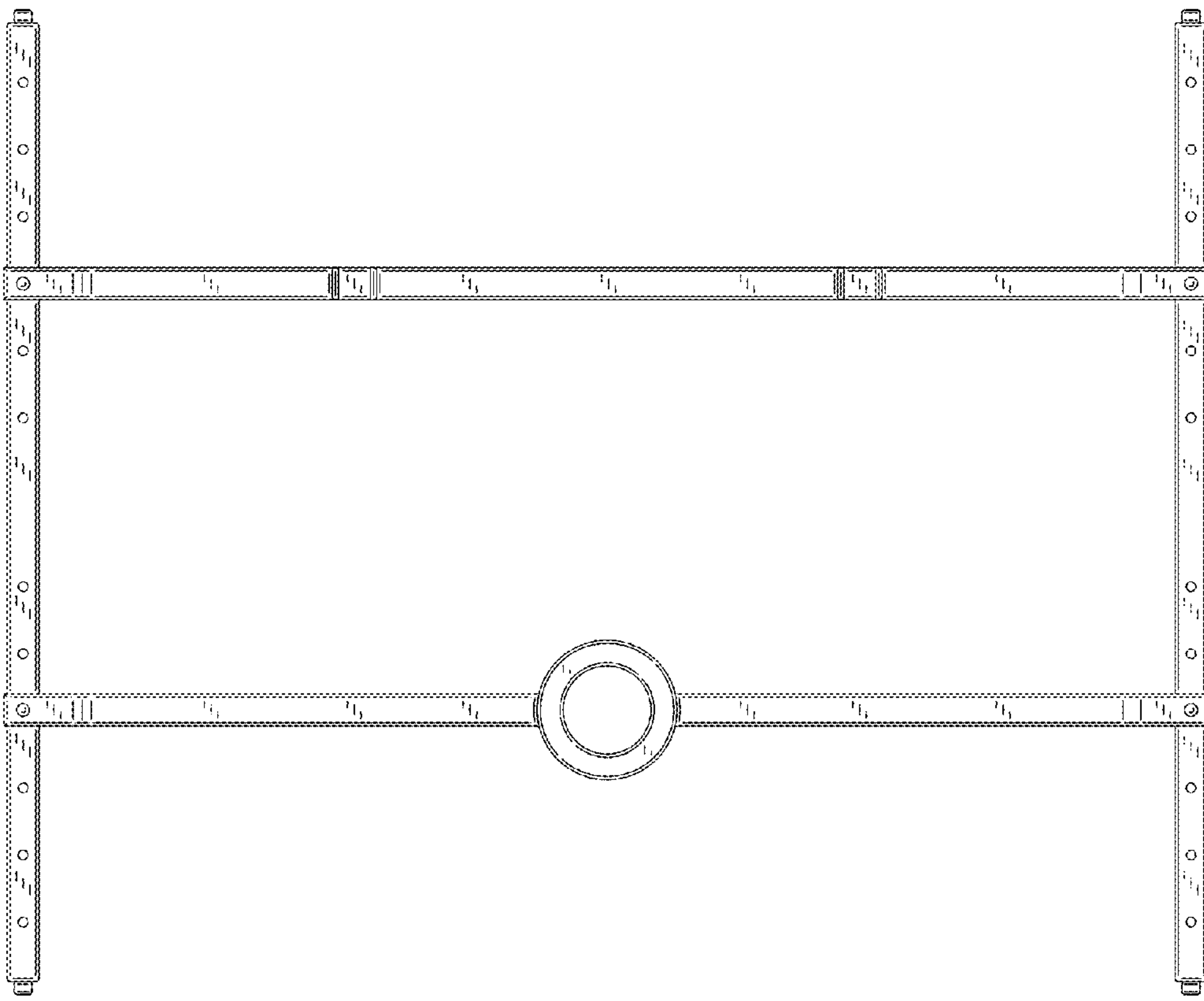


FIG. 3

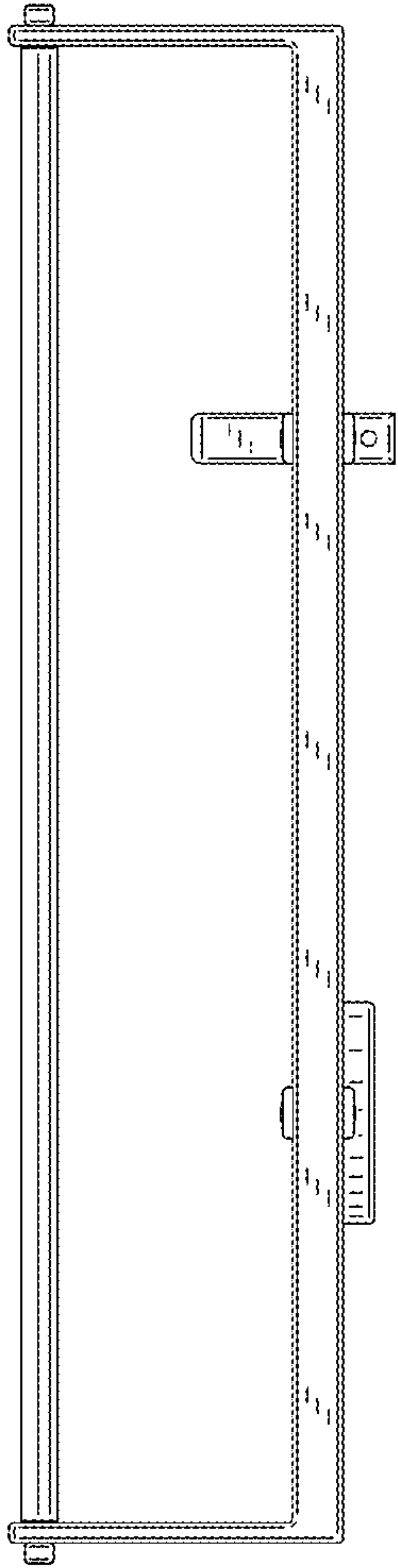


FIG. 4

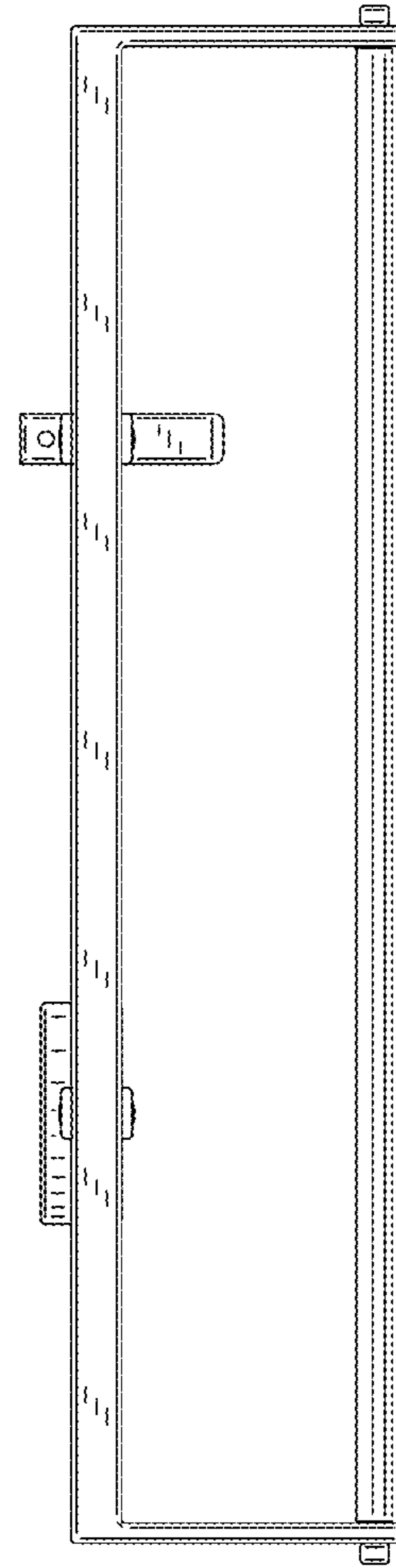


FIG. 5

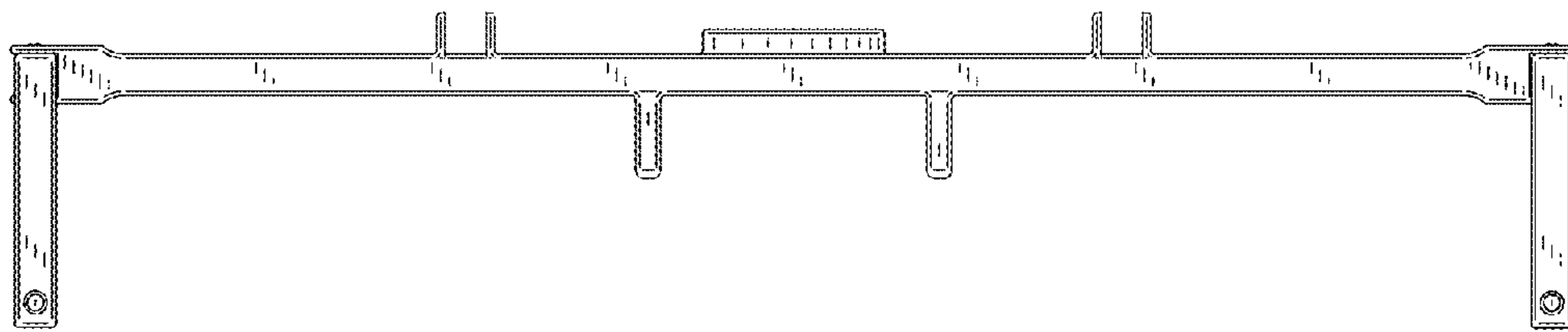


FIG. 6

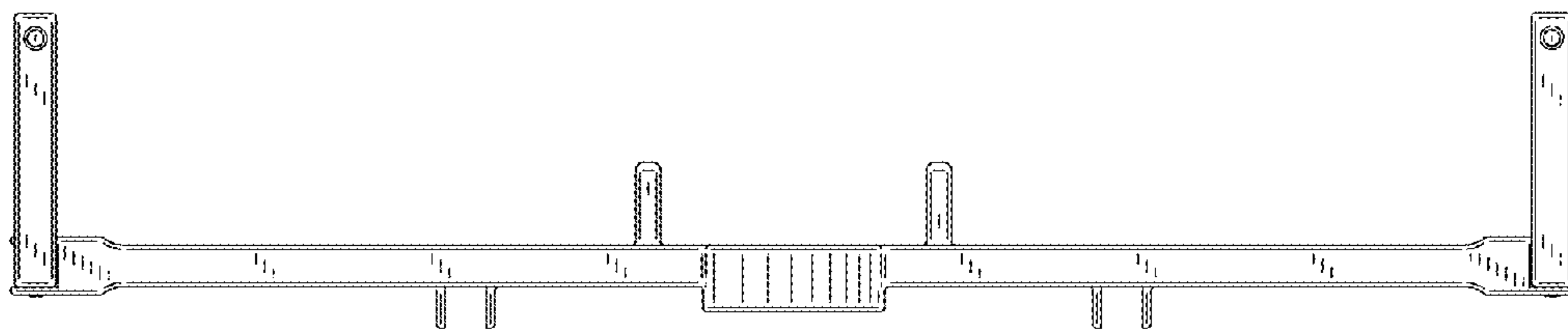


FIG. 7