



US00D758972S

(12) **United States Design Patent**
Baumeister et al.

(10) **Patent No.:** **US D758,972 S**
(45) **Date of Patent:** **** Jun. 14, 2016**

(54) **SMD CLAMP**

(71) Applicant: **BJB GmbH & Co. KG**, Arnsberg (DE)

(72) Inventors: **Olaf Baumeister**, Sundern (DE); **Marco Ludwig**, Wickede (DE)

(73) Assignee: **BJB GmbH & Co. KG**, Arnsberg (DE)

(**) Term: **14 Years**

(21) Appl. No.: **29/499,826**

(22) Filed: **Aug. 19, 2014**

(30) **Foreign Application Priority Data**

Mar. 26, 2014 (EP) 002433342-0001
Mar. 26, 2014 (EP) 002433342-0002

(51) **LOC (10) Cl.** **13-03**

(52) **U.S. Cl.**
USPC **D13/149**

(58) **Field of Classification Search**
USPC D13/110, 118, 123, 133, 134, 146, 147,
D13/149, 154, 184, 199
CPC G01R 1/07364; H01H 13/10; H01H
2001/5888; H01F 27/06; H01F 27/34; H01F
27/29; H01F 17/04; H05K 7/10; H01R 4/26;
G01S 2007/028

See application file for complete search history.

(56) **References Cited**

U.S. PATENT DOCUMENTS

D204,060 S * 3/1966 Simmons D13/158
D252,568 S * 8/1979 Comstock D13/126
D254,667 S * 4/1980 Sare D13/160

OTHER PUBLICATIONS

2061 Series SMD PCB Terminal Block1, dated Jul. 15, 2014, [online], [site visited Oct. 16, 2015]. Available from Internet, <URL: <http://www.wago.us/products/new-products/overview/basic-page-27.jsp>>.*

* cited by examiner

Primary Examiner — Thomas Johannes

Assistant Examiner — Shawn T Gingrich

(74) *Attorney, Agent, or Firm* — Von Rohrscheidt Patents

(57) **CLAIM**

The ornamental design for a SMD clamp, as shown and described.

DESCRIPTION

FIG. 1 illustrates a perspective top and left side view of a SMD clamp showing the new design.

FIG. 2 illustrates a front face view thereof.

FIG. 3 illustrates a rear face view thereof.

FIG. 4 illustrates a left side view thereof.

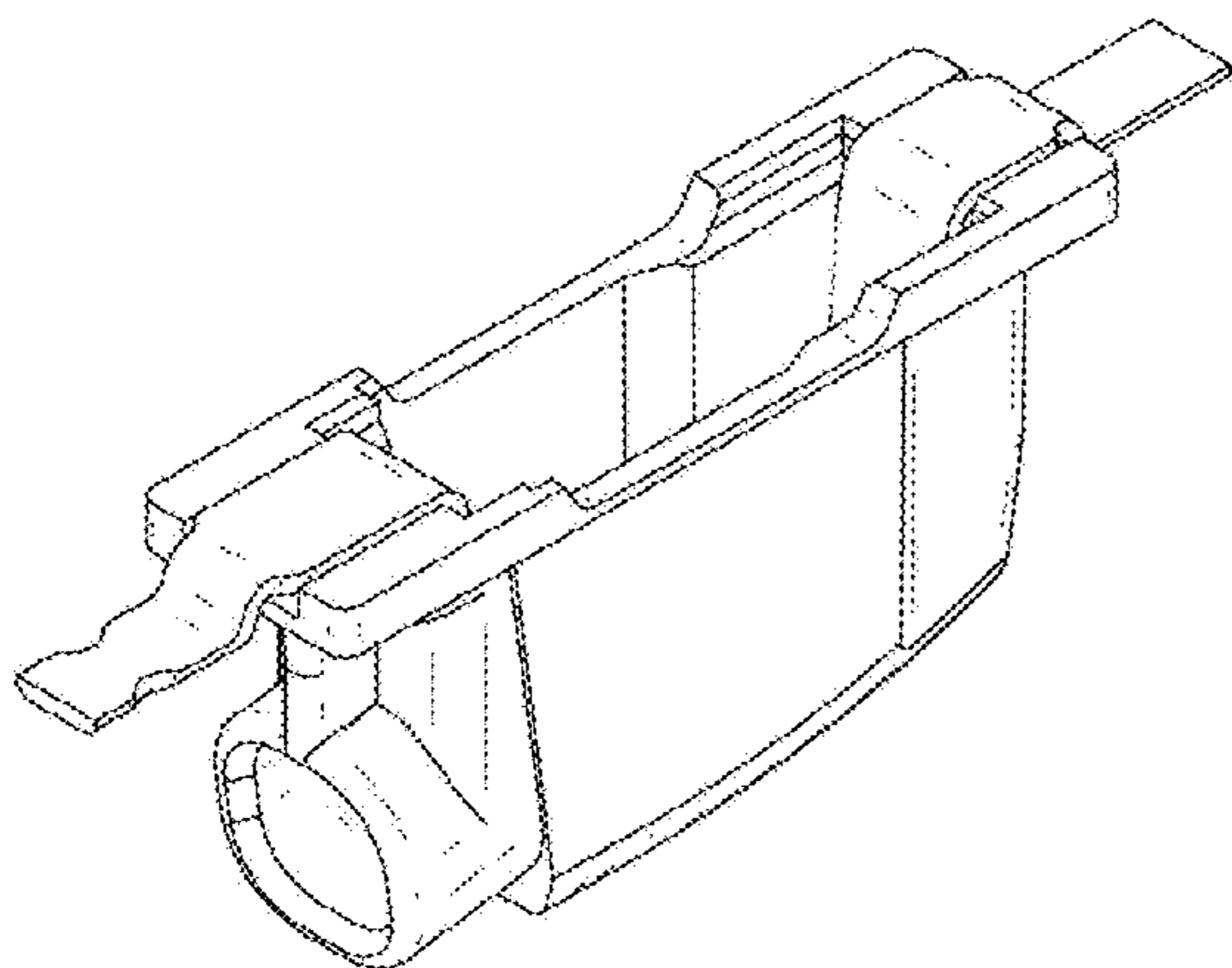
FIG. 5 illustrates a right side view thereof.

FIG. 6 illustrates a bottom view thereof; and,

FIG. 7 illustrates a top view thereof.

The broken line portion of the figure drawings is included to show portions of the article that form no part of the claimed design.

1 Claim, 7 Drawing Sheets



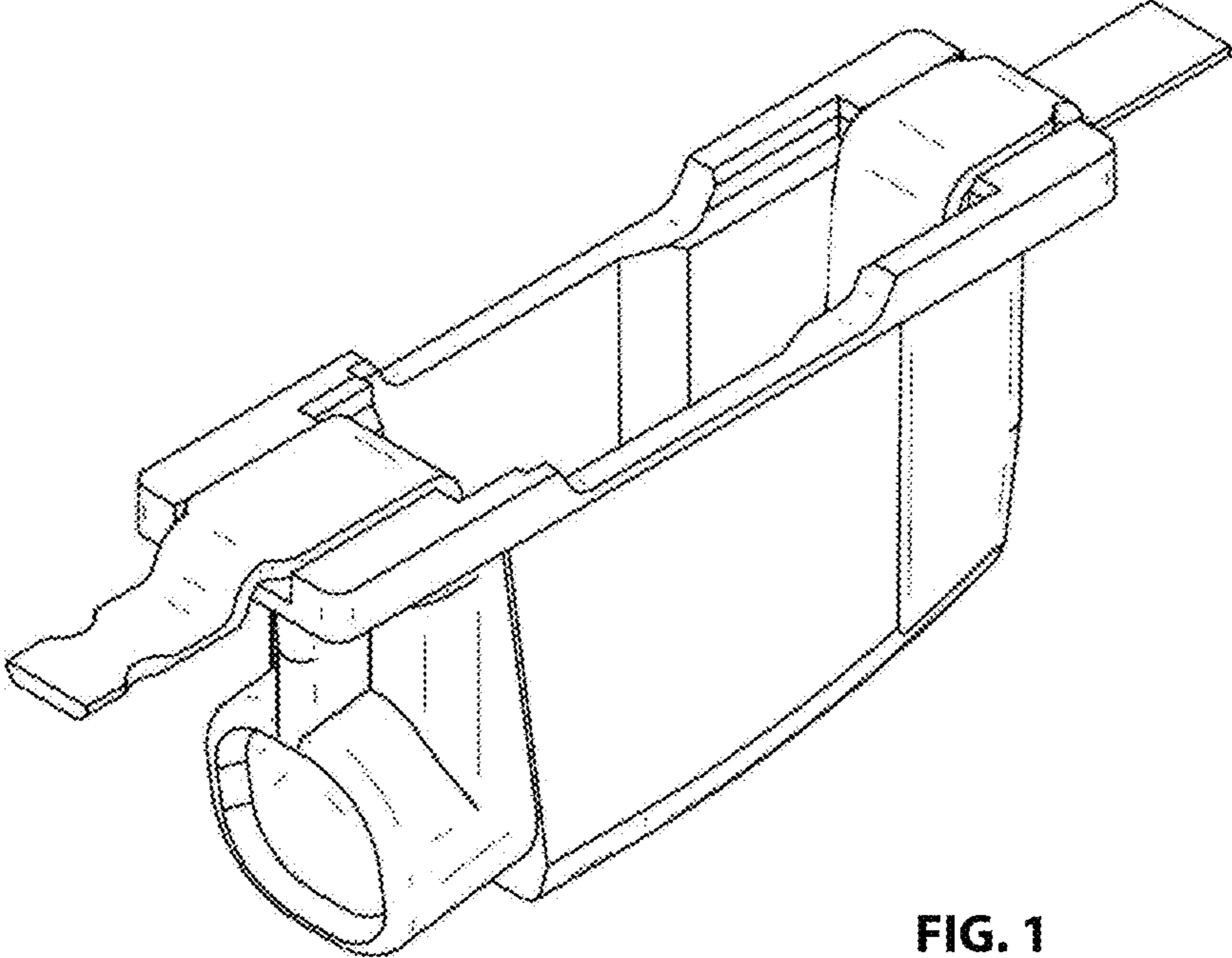


FIG. 1

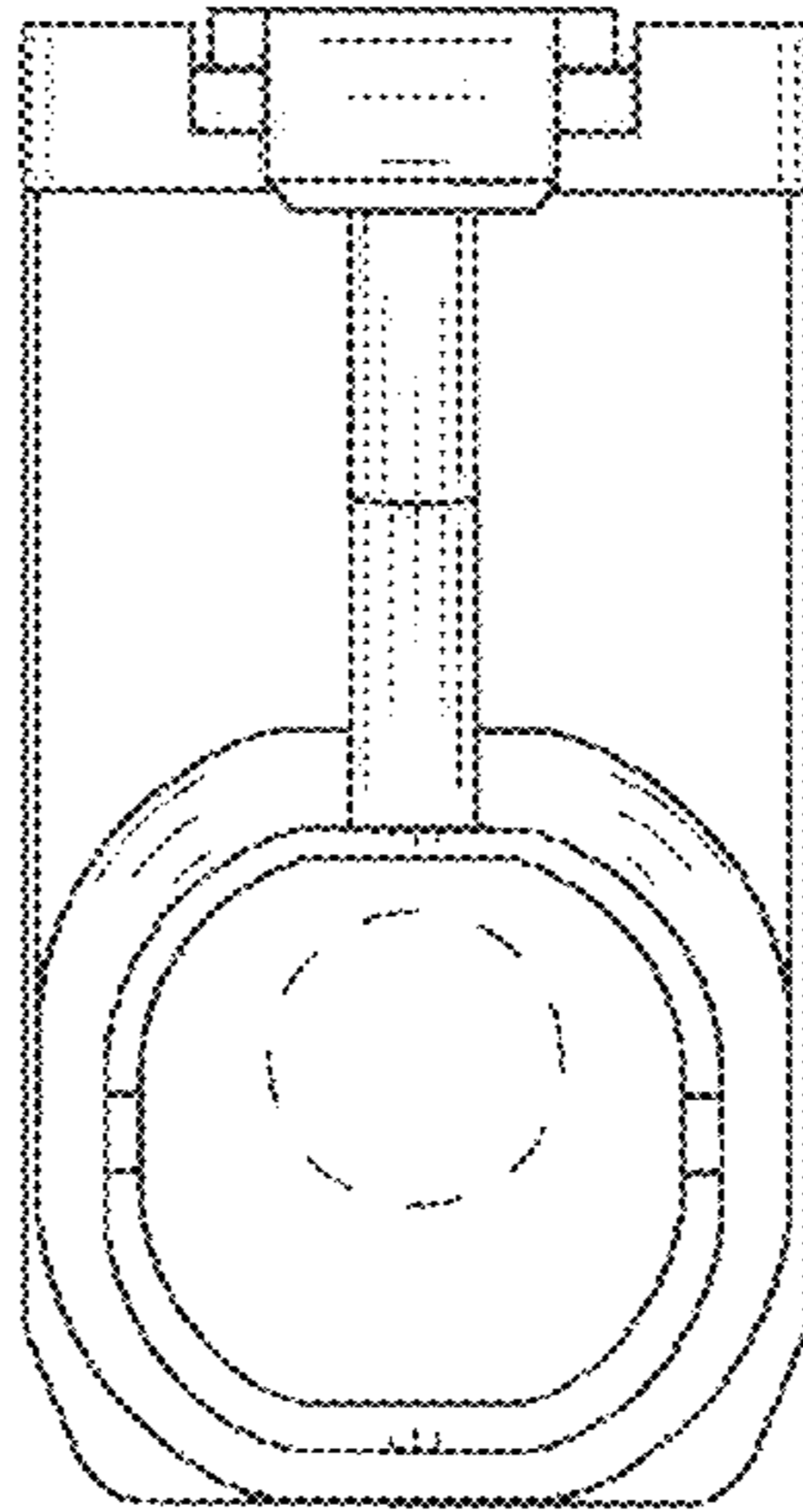


FIG. 2

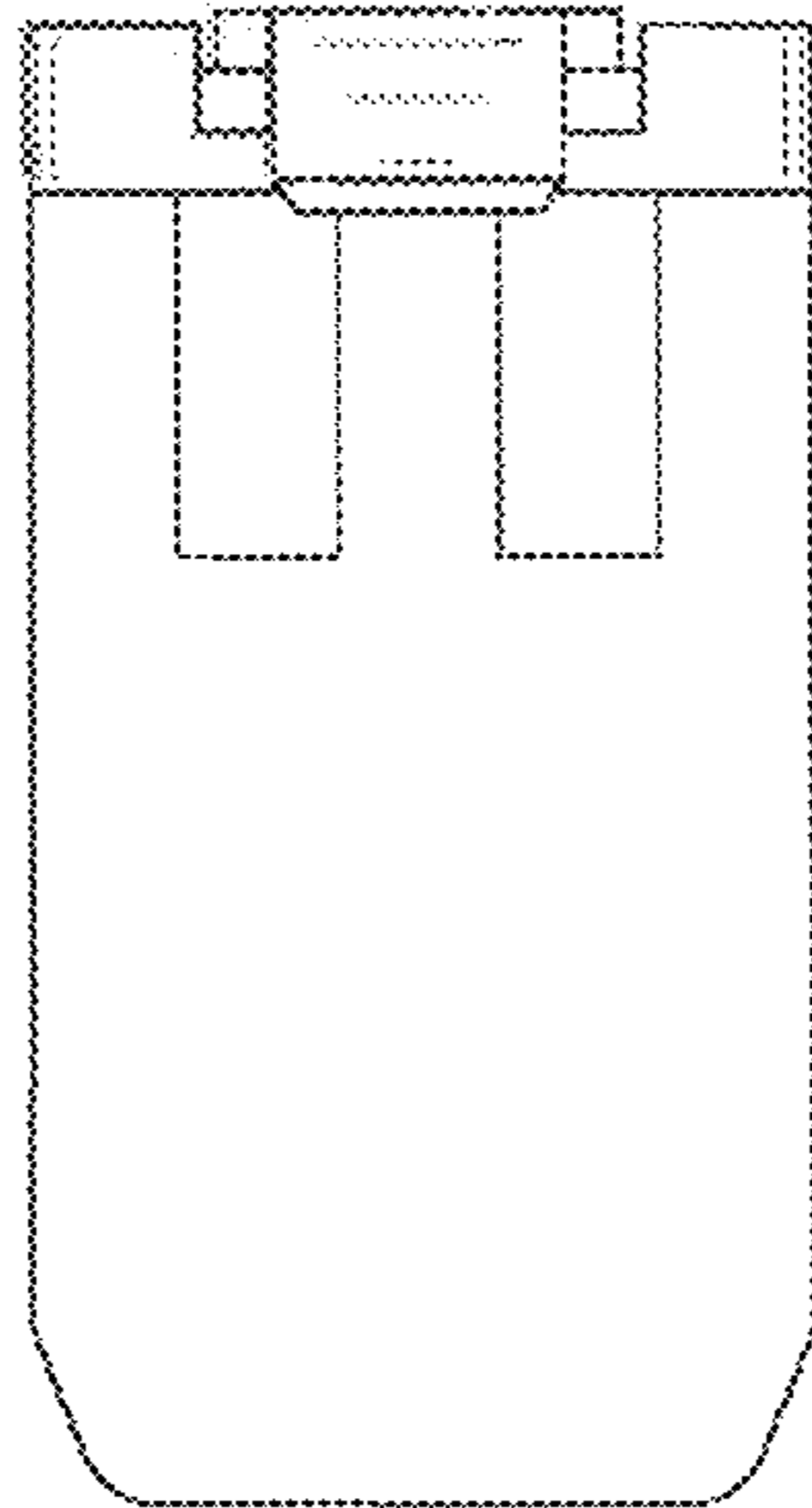


FIG. 3

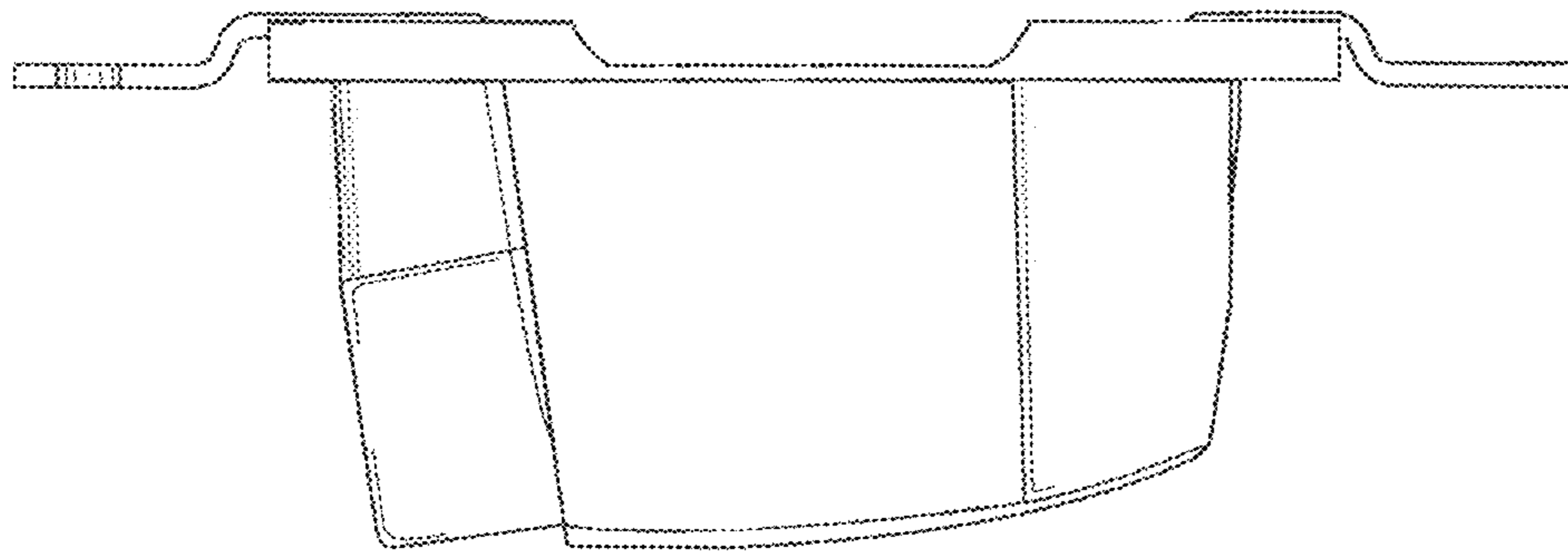


FIG. 4

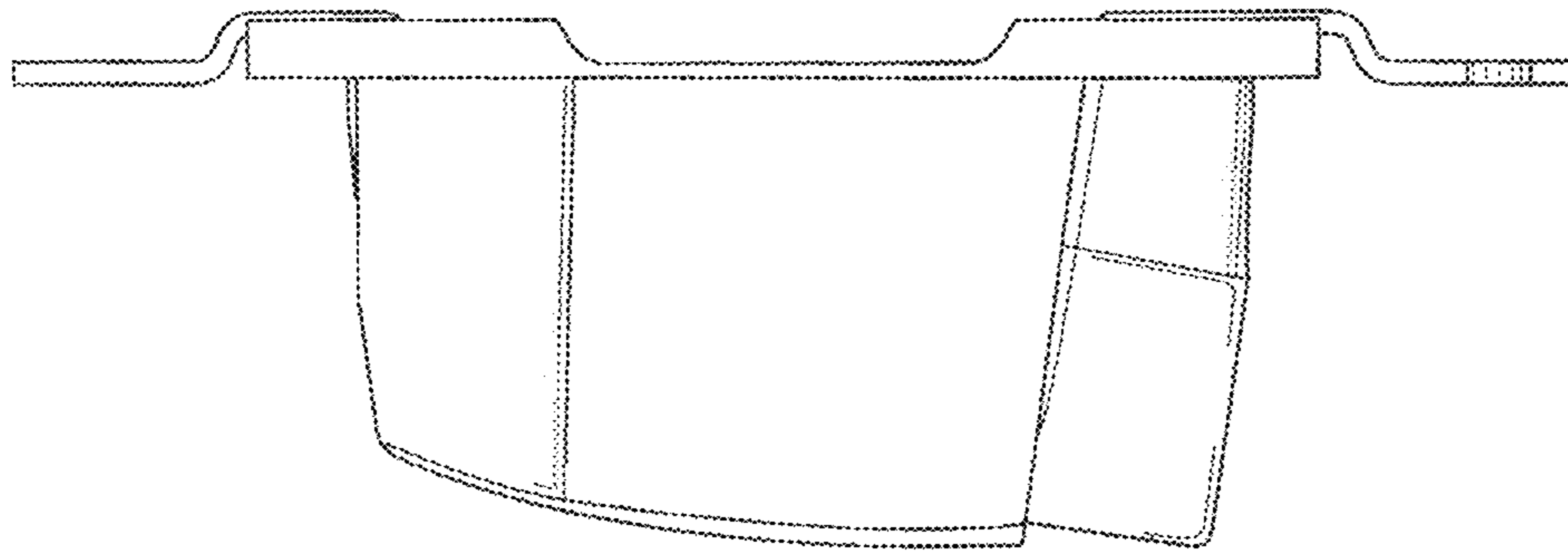


FIG. 5

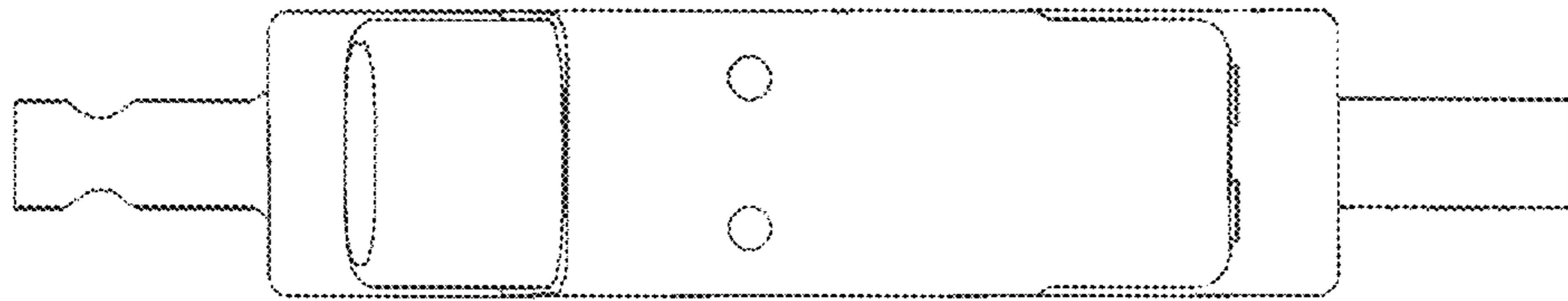


FIG. 6

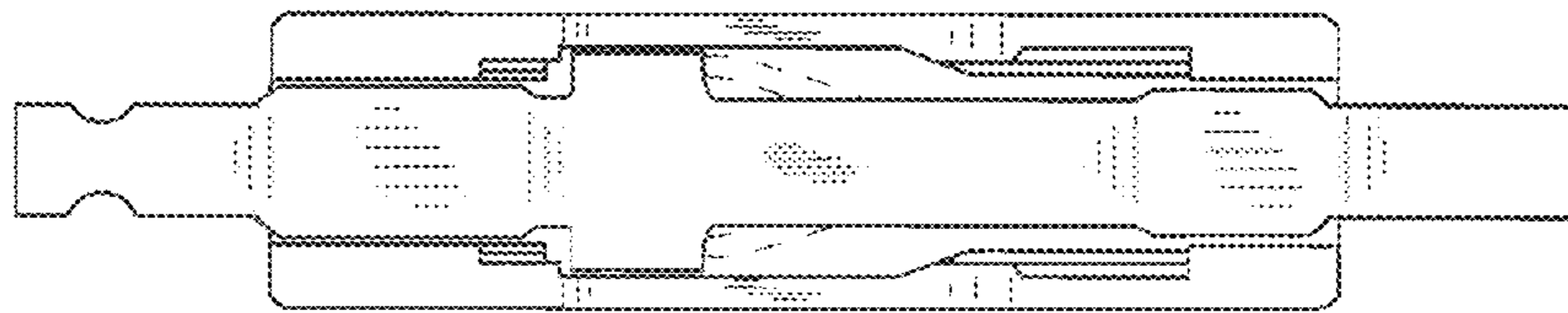


FIG. 7