



US00D758971S

(12) **United States Design Patent**
Arichika et al.

(10) **Patent No.:** **US D758,971 S**
(45) **Date of Patent:** **** Jun. 14, 2016**

(54) **ELECTRIC CONNECTOR**

(71) Applicant: **Molex Incorporated**, Lisle, IL (US)

(72) Inventors: **Kenta Arichika**, Yamato (JP); **Hanae Mori**, Yamato (JP)

(73) Assignee: **Molex, LLC**, Lisle, IL (US)

(**) Term: **14 Years**

(21) Appl. No.: **29/525,979**

(22) Filed: **May 5, 2015**

(30) **Foreign Application Priority Data**

Nov. 6, 2014 (JP) 2014-024748

(51) **LOC (10) CL.** **13-03**

(52) **U.S. Cl.**
USPC **D13/147**

(58) **Field of Classification Search**
USPC D13/118, 120, 133, 146, 147, 154, 184,
D13/199

See application file for complete search history.

(56) **References Cited**

U.S. PATENT DOCUMENTS

D501,448 S *	2/2005	Ishikawa	D13/147
D533,506 S *	12/2006	Peng	D13/147
D539,227 S *	3/2007	Yamada	D13/147
D562,770 S *	2/2008	Obikane	D13/147
D582,858 S *	12/2008	Hoshino	D13/147
D598,861 S *	8/2009	Hoshino	D13/147
D642,530 S *	8/2011	Sato	D13/147

* cited by examiner

Primary Examiner — Daniel Bui

(74) *Attorney, Agent, or Firm* — James A. O'Malley

(57) **CLAIM**

The ornamental design for an electric connector, as shown and described.

DESCRIPTION

FIG. 1 is a first perspective view of an electric connector showing our new design;

FIG. 2 is a second perspective view thereof;

FIG. 3 is a front elevational view thereof;

FIG. 4 is a rear elevational view thereof;

FIG. 5 is a top plan view thereof;

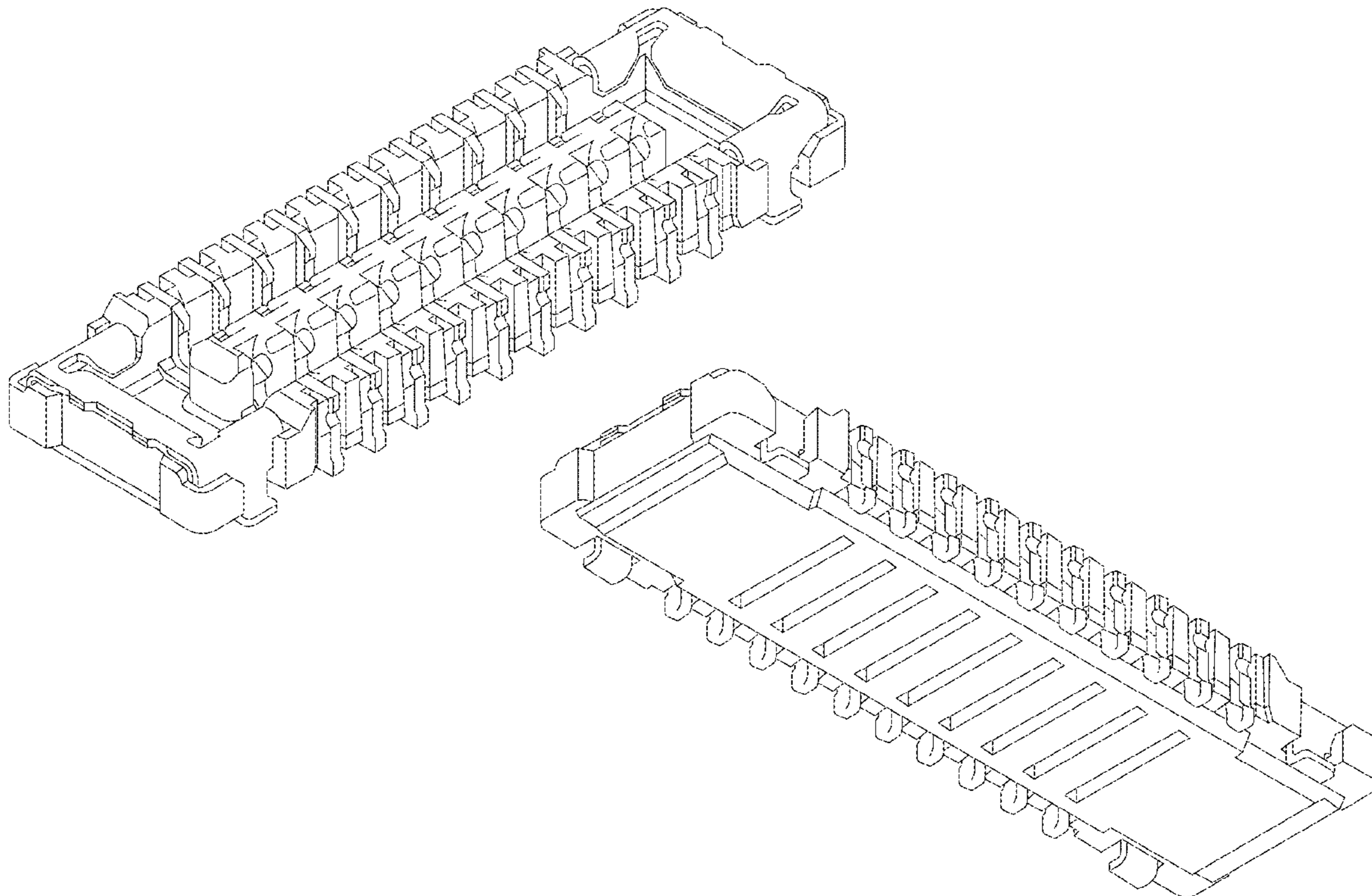
FIG. 6 is a bottom plan view thereof;

FIG. 7 is a right side elevational view thereof; and,

FIG. 8 is a left side elevational view thereof.

The broken line in the drawing represents unclaimed environment only, and forms no part of the claimed design.

1 Claim, 5 Drawing Sheets



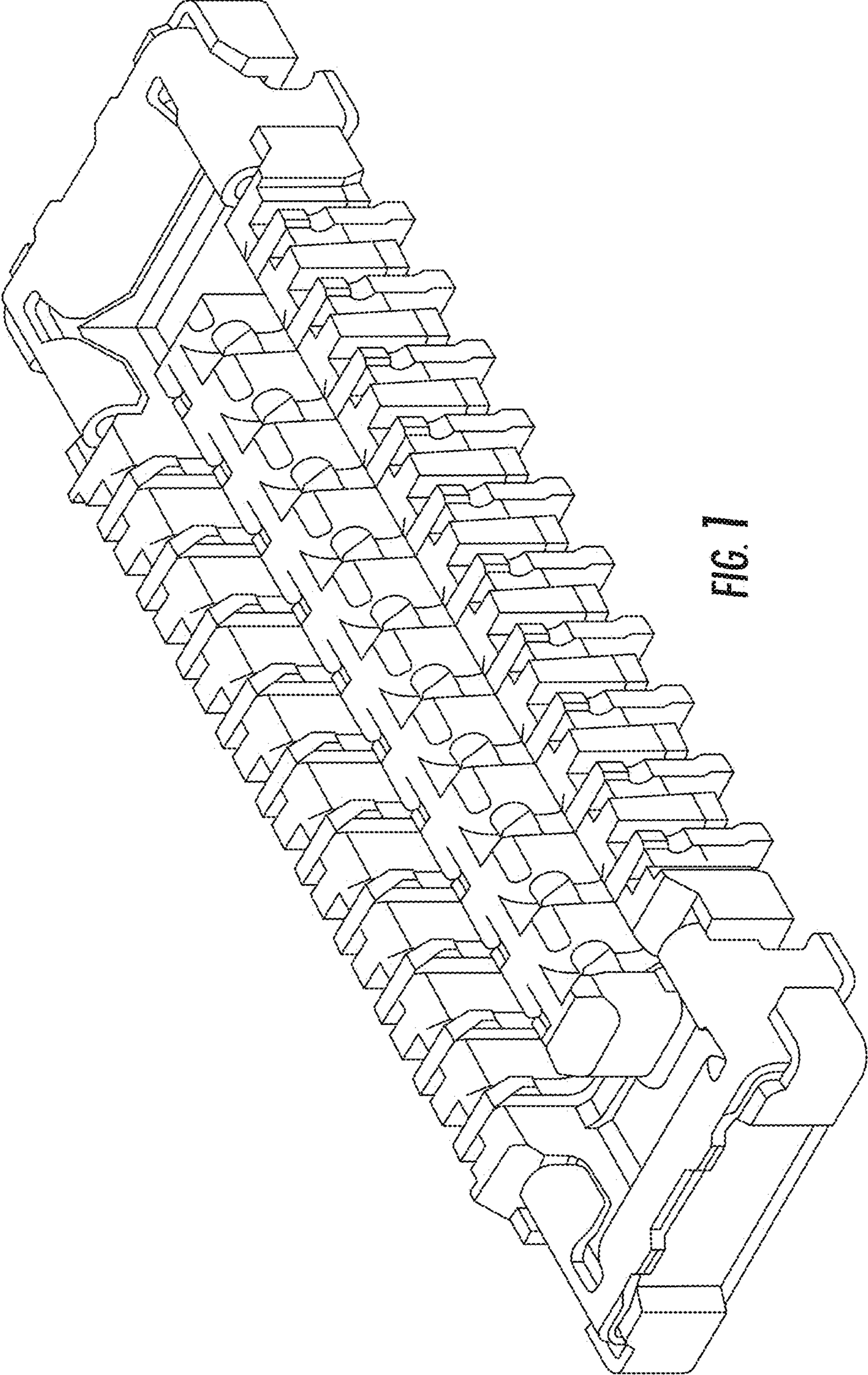


FIG. 1

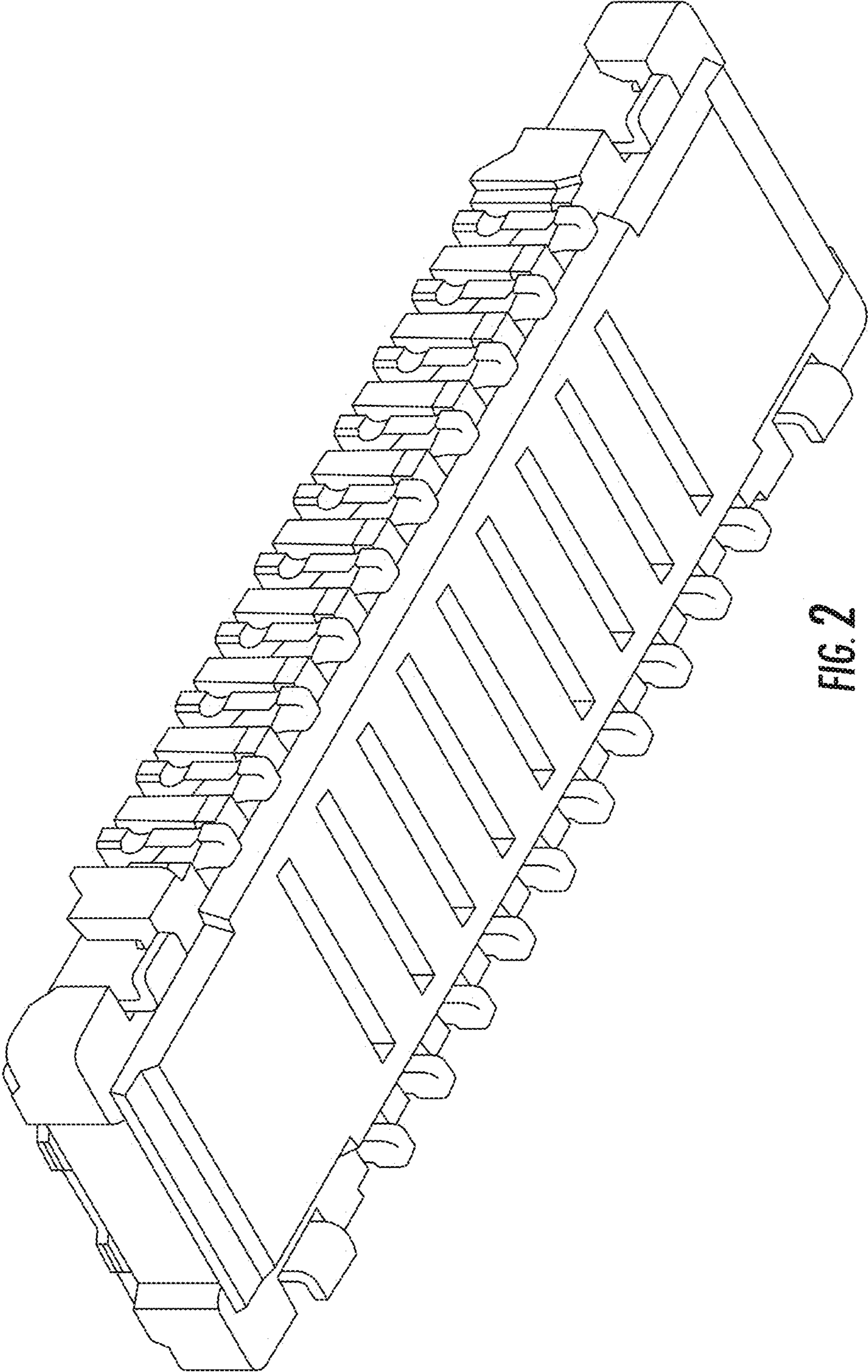


FIG. 2

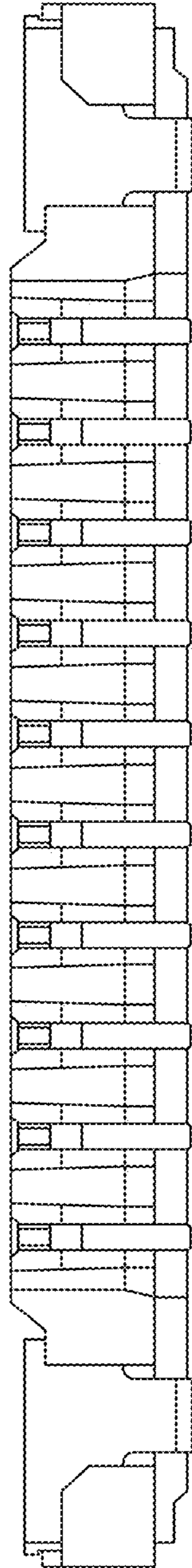


FIG. 3

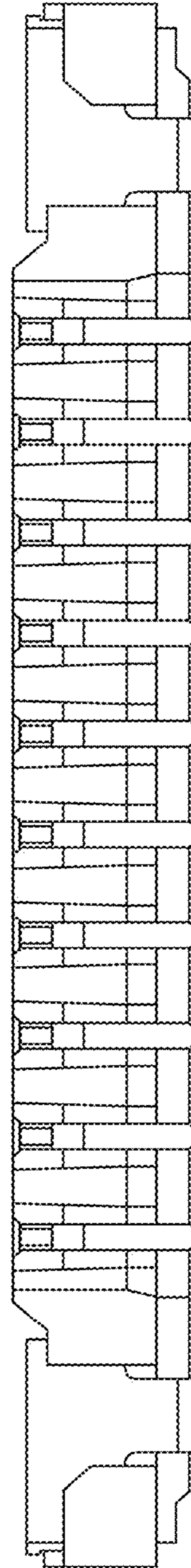


FIG. 4

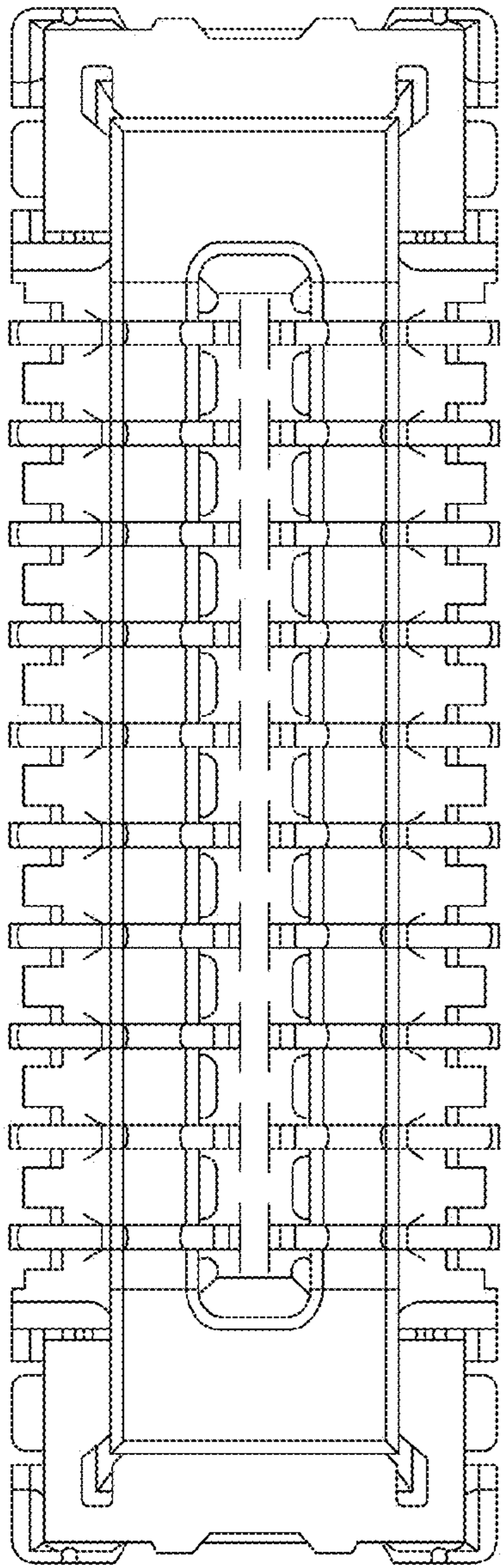


FIG. 5

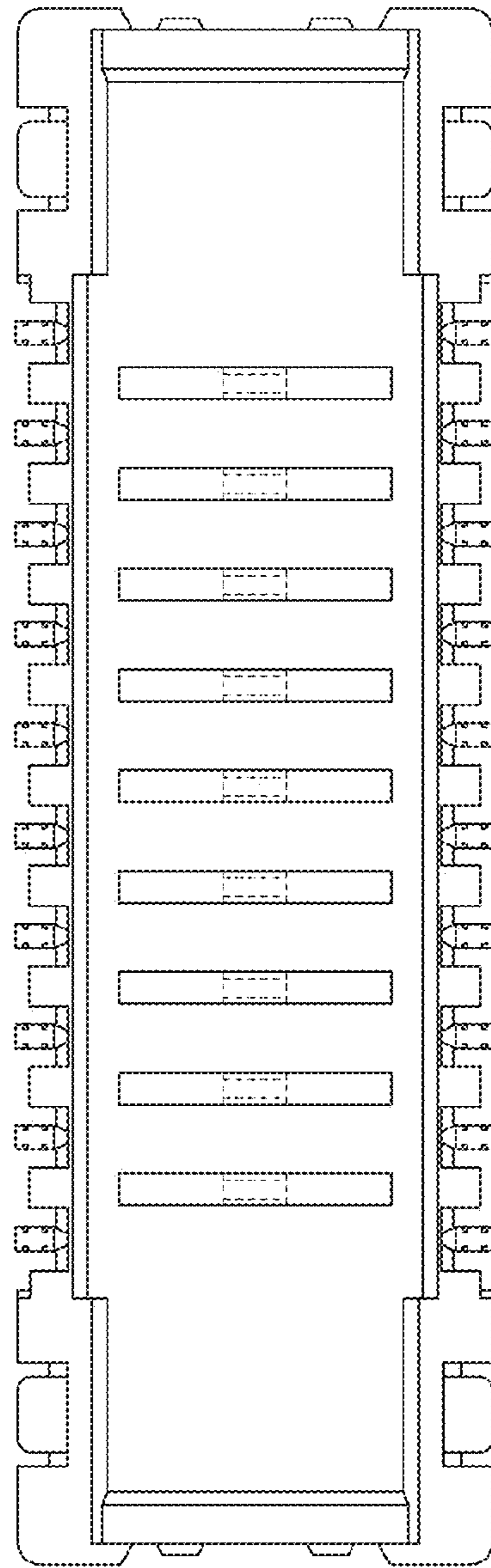


FIG. 6

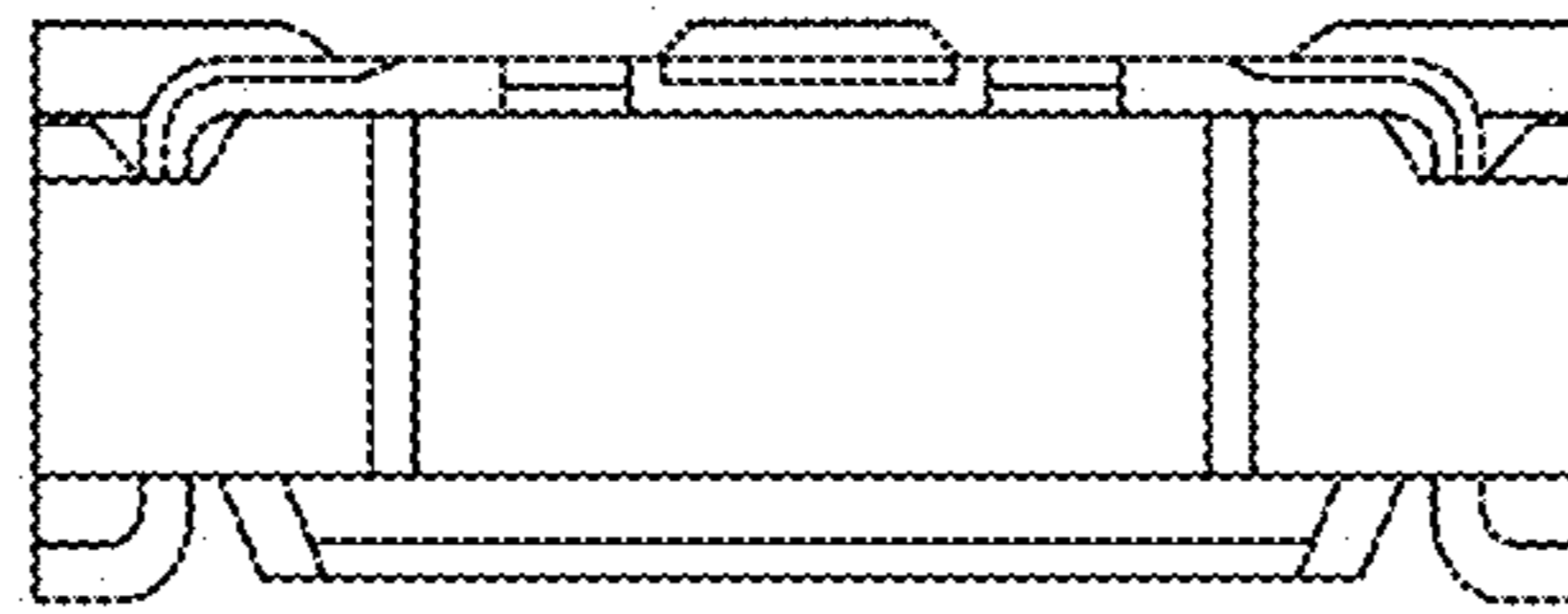


FIG. 7

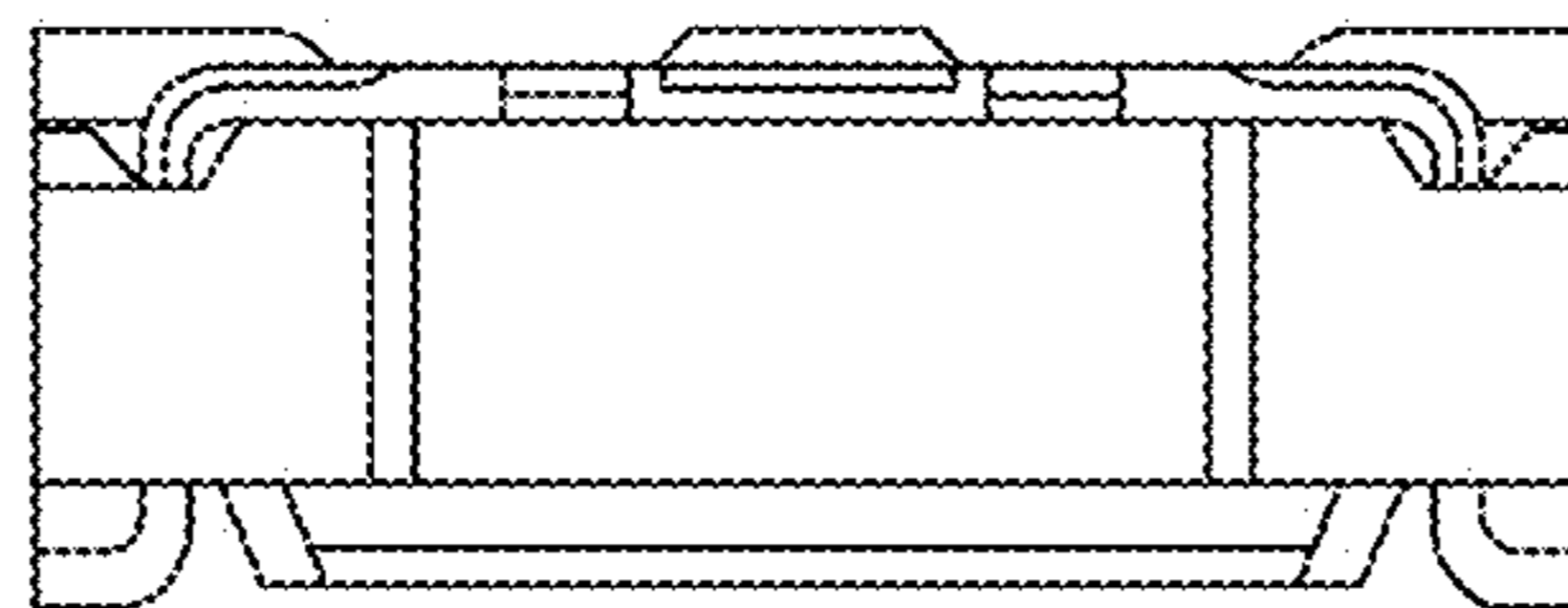


FIG. 8