

US00D758970S

(12) **United States Design Patent**  
**Featherstone**

(10) **Patent No.:** **US D758,970 S**  
(45) **Date of Patent:** **\*\* Jun. 14, 2016**

- (54) **EDGE-WOUND RESISTOR**
- (71) Applicant: **Vishay Dale Electronics LLC**,  
Columbus, NE (US)
- (72) Inventor: **Daniel Featherstone**, Cedarburg, WI  
(US)
- (73) Assignee: **Vishay Dale Electronics, LLC**,  
Columbus, NE (US)
- (\*\*) Term: **14 Years**
- (21) Appl. No.: **29/491,946**
- (22) Filed: **May 27, 2014**
- (51) **LOC (10) Cl.** ..... **D13-03**
- (52) **U.S. Cl.**  
USPC ..... **D13/125**
- (58) **Field of Classification Search**  
USPC ..... D13/117, 123–125, 184, 199; 257/360;  
338/267, 270, 278, 296, 334; 439/817  
CPC ..... H01C 1/084; H01C 3/00; H01C 3/06;  
H01C 3/21; H01C 3/14  
See application file for complete search history.

(56) **References Cited**

**U.S. PATENT DOCUMENTS**

1,550,640	A *	8/1925	Whittingham	.....	338/278
1,662,771	A *	3/1928	Whittingham	.....	338/305
1,687,357	A	10/1928	Whittingham		
1,706,014	A *	3/1929	Whittingham	.....	338/136
1,728,090	A *	9/1929	Whittingham	.....	439/801
2,032,104	A	9/1933	Umstott		
2,050,221	A	8/1936	Frese		
2,061,516	A *	11/1936	Frese	.....	29/610.1
2,390,790	A *	12/1945	Immel et al.	.....	338/210
2,560,690	A *	7/1951	Griffes et al.	.....	338/321
3,218,437	A *	11/1965	Laing	.....	219/546
3,887,894	A	6/1975	Rudd et al.		
4,028,793	A	6/1977	Liebler et al.		
4,038,628	A	7/1977	Salemi		
4,230,933	A	10/1980	Glucksman et al.		

4,238,756	A *	12/1980	Immel	.....	338/304
4,652,852	A	3/1987	Asai		
5,138,138	A	8/1992	Theilacker et al.		

(Continued)

**OTHER PUBLICATIONS**

Coudoint Edgewound Resistor documentation, dated Jun. 2009, [online catalog], [site visited Jan. 14, 2015]. Available from Internet, <URL: <http://pdf.directindustry.com/pdf/coudoint-sas/coudoint-edgewound-resistors-documentation/64090-131086.html>>.\*

(Continued)

*Primary Examiner* — Thomas Johannes  
*Assistant Examiner* — Shawn T Gingrich  
(74) *Attorney, Agent, or Firm* — Volpe and Koenig, P.C.

(57) **CLAIM**

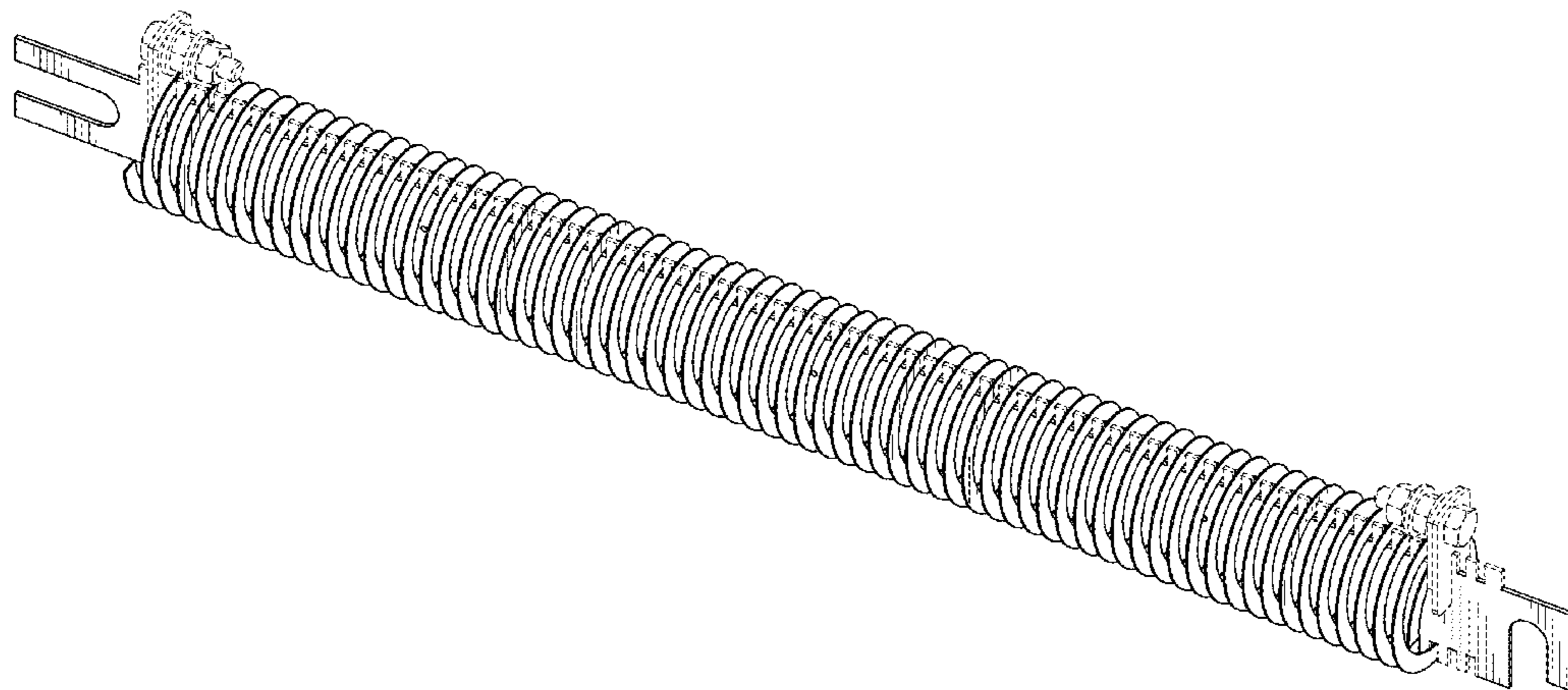
The ornamental design for an edge-wound resistor, as shown and described.

**DESCRIPTION**

FIG. 1 is a top second end first side perspective view of an edge-wound resistor showing my new design; FIG. 2 is a first end view of the edge-wound resistor shown in FIG. 1; FIG. 3 is a second end view of the edge-wound resistor shown in FIG. 1; FIG. 4 is a first side view of the edge-wound resistor shown in FIG. 1; FIG. 5 is a second side view of the edge-wound resistor shown in FIG. 1; FIG. 6 is a top view of the edge-wound resistor shown in FIG. 1; and, FIG. 7 is a bottom view of the edge-wound resistor shown in FIG. 1.

All broken lines appearing in the drawings are for illustrative purposes and/or represent unclaimed subject matter and form no part of the claimed design.

**1 Claim, 3 Drawing Sheets**



(56)

**References Cited**

U.S. PATENT DOCUMENTS

D662,895 S \* 7/2012 Kimura et al. .... D13/154  
8,373,430 B1 \* 2/2013 Sochor ..... 324/755.05  
8,460,010 B2 6/2013 Kimura et al.  
8,519,727 B2 8/2013 Yamamoto  
8,547,128 B1 10/2013 Sochor  
8,764,458 B1 7/2014 Rathi et al.  
D711,326 S \* 8/2014 Shibutani ..... D13/154  
9,124,013 B2 9/2015 Frushhour et al.  
2010/0267291 A1 \* 10/2010 Chabineau-Lovgren  
et al. .... 439/817

2011/0171839 A1\* 7/2011 Yang et al. .... 439/66  
2012/0129408 A1\* 5/2012 Kimura et al. .... 439/817  
2012/0214356 A1\* 8/2012 Hasegawa ..... 439/817

OTHER PUBLICATIONS

Vishay EDG Series, announced Dec. 11, 2012, [online catalog], [site visited Jan. 14, 2015]. Available from Internet, <URL: <https://web.archive.org/web/20130515003231/http://www.vishay.com/docs/31831/edg.pdf>>.\*  
Sungjin Edge Wound Resistor, dated Jul. 28, 2013, [online], [site visited Jul. 20, 2015]. Available from Internet, <URL: <http://sjohm.co.kr/products/product01.php>>.\*

\* cited by examiner

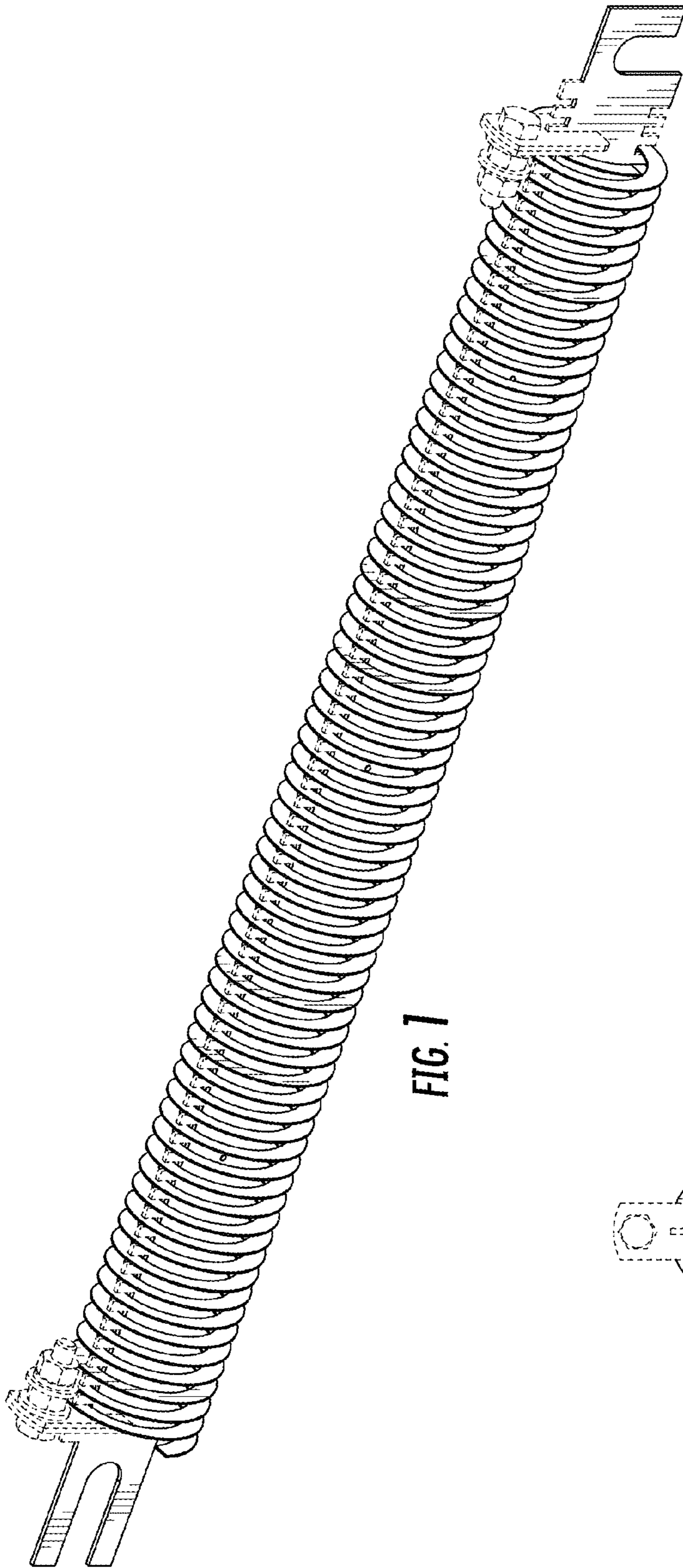


FIG. 1

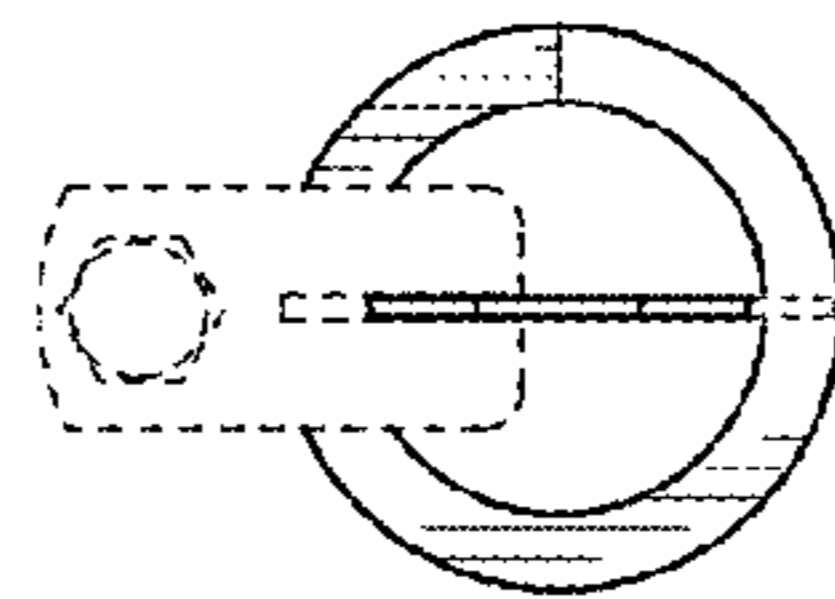


FIG. 2

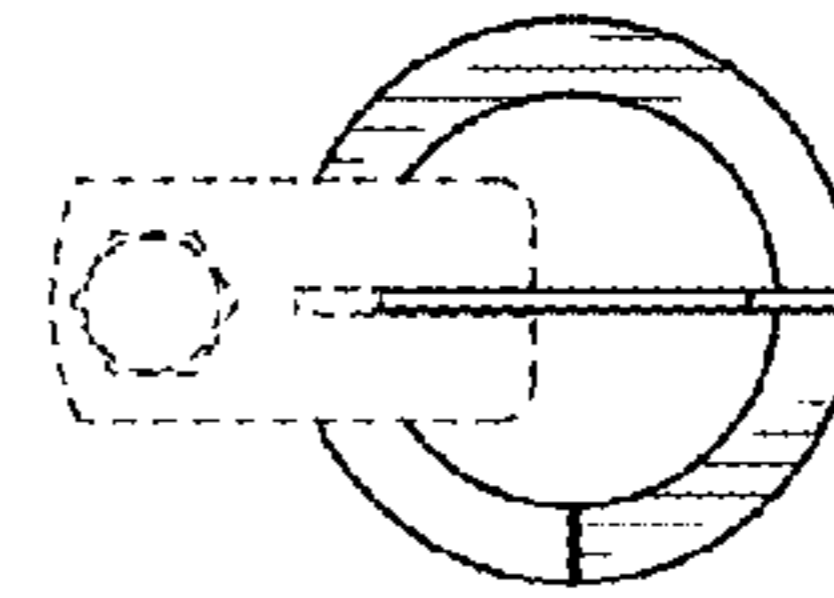


FIG. 3

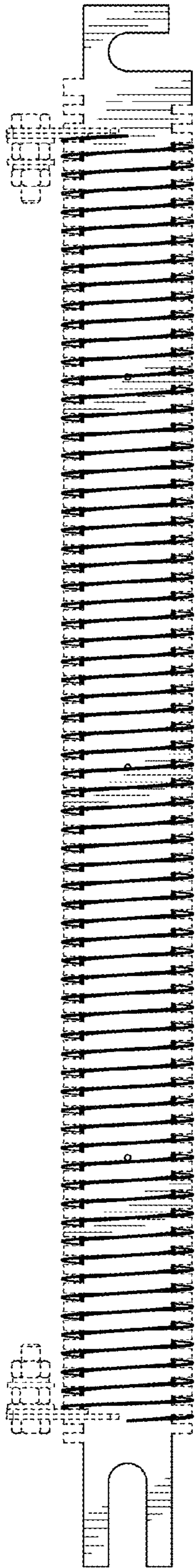


FIG. 4

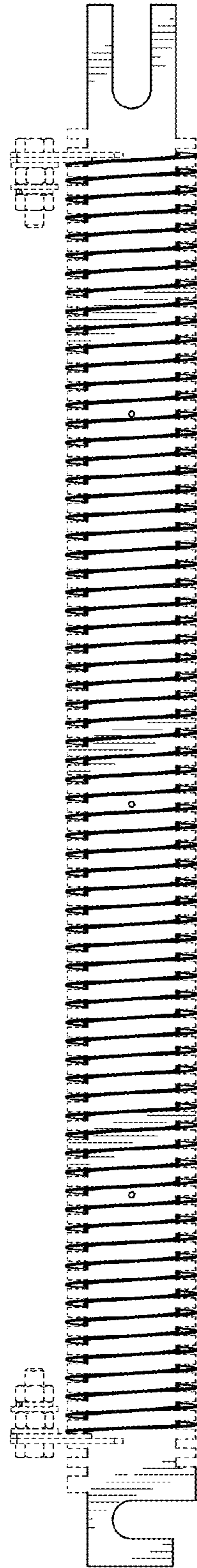
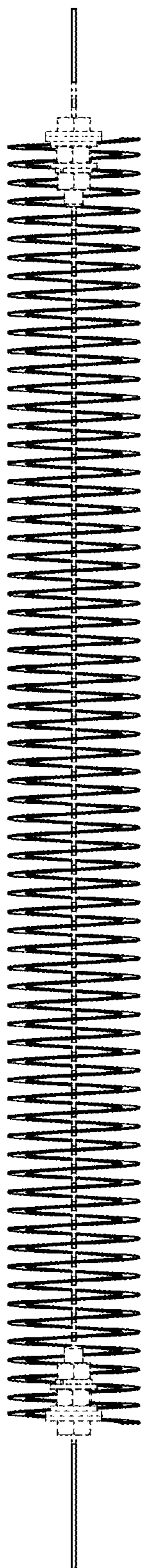
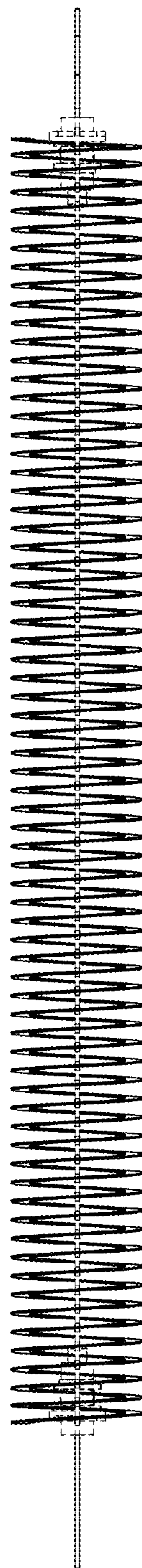


FIG. 5



*FIG. 6*



*FIG. 7*