



US00D758968S

(12) **United States Design Patent**  
**El Zakhem**

(10) **Patent No.:** **US D758,968 S**  
(45) **Date of Patent:** **\*\* Jun. 14, 2016**

(54) **GROUND STAB ALIGNMENT BRACKET FOR  
A MOTOR CONTROL CENTER**

(56) **References Cited**

U.S. PATENT DOCUMENTS

(71) Applicant: **ROCKWELL AUTOMATION  
TECHNOLOGIES, INC.**, Mayfield  
Heights, OH (US)

D342,011 S \* 12/1993 Maguire ..... D8/349  
5,685,732 A \* 11/1997 Lane ..... H01R 13/6392  
24/523

(72) Inventor: **Francois Radwan El Zakhem**, Lake  
Geneva, WI (US)

D422,557 S \* 4/2000 Grace ..... D13/118  
D491,535 S \* 6/2004 Chien ..... D13/154  
D534,791 S \* 1/2007 Fujiwara ..... D8/382  
D611,886 S \* 3/2010 Peschmann ..... D12/223  
D611,887 S \* 3/2010 Peschmann ..... D12/223  
D619,962 S \* 7/2010 Gardner ..... D13/122  
D639,737 S \* 6/2011 Saber ..... D13/118

(73) Assignee: **Rockwell Automation Technologies,  
Inc.**, Mayfield Heights, OH (US)

\* cited by examiner

(\*\*) Term: **14 Years**

*Primary Examiner* — Derrick Holland

(21) Appl. No.: **29/496,521**

(74) *Attorney, Agent, or Firm* — Fletcher Yoder P.C.

(22) Filed: **Jul. 14, 2014**

(57) **CLAIM**

(51) **LOC (10) Cl.** ..... **13-01**

The ornamental design for a ground stab alignment bracket  
for a motor control center, as shown and described.

(52) **U.S. Cl.**

**DESCRIPTION**

USPC ..... **D13/122**

(58) **Field of Classification Search**

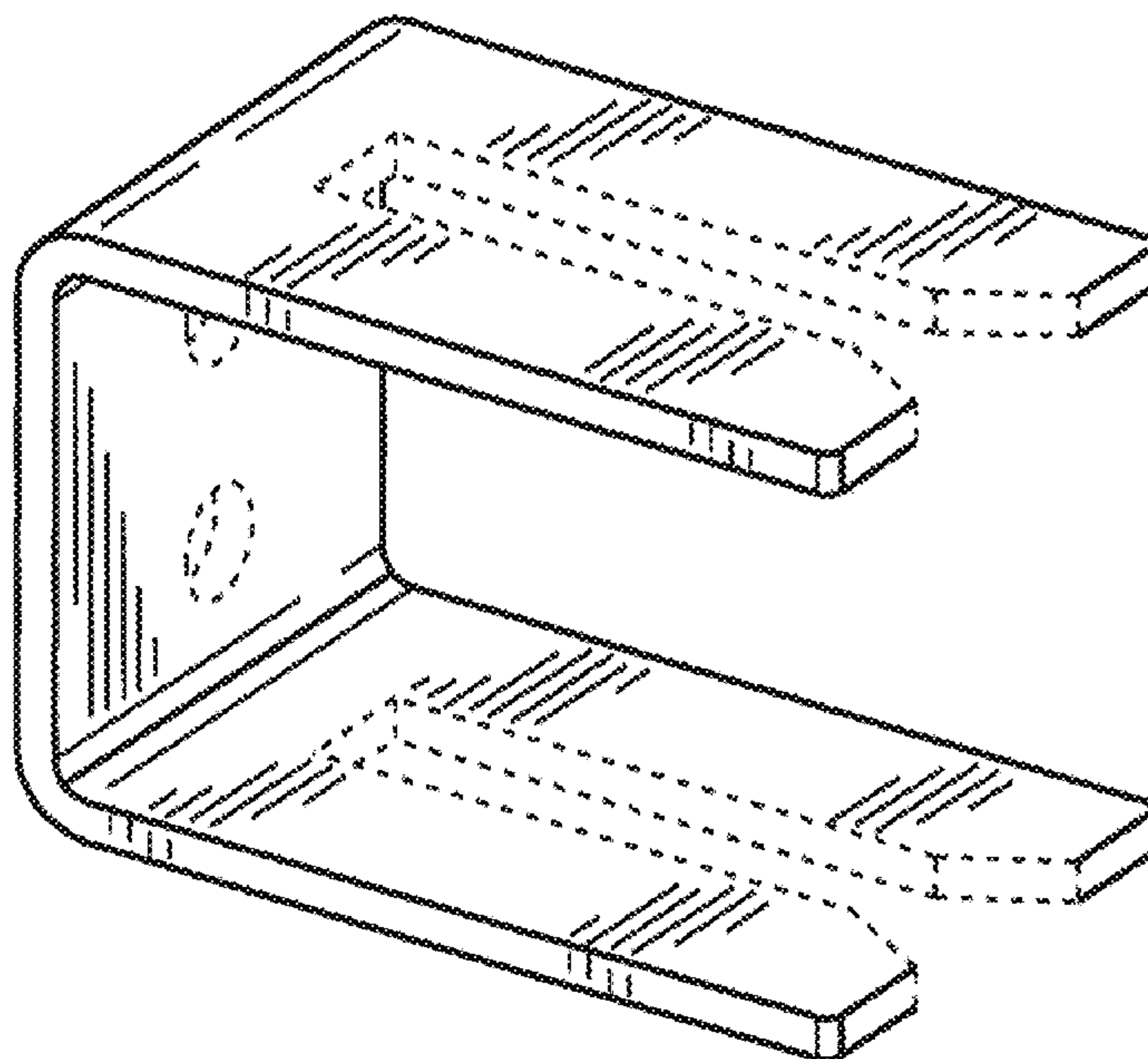
USPC ..... D13/118, 101, 122, 120, 180, 182, 199;  
D8/349, 350, 354, 363, 364, 367, 380,  
D8/381; D25/119, 123, 131, 133;  
52/655.1, 656.2, 656.6; 248/235, 237,  
248/245, 247; 428/430, 848.5

CPC ... H01R 13/6392; F16M 13/00; F16M 13/02;  
F16M 13/005; F16M 11/00; A47H 1/10

See application file for complete search history.

The broken lines shown represent unclaimed subject matter  
and form no part of the claimed design.

**1 Claim, 2 Drawing Sheets**



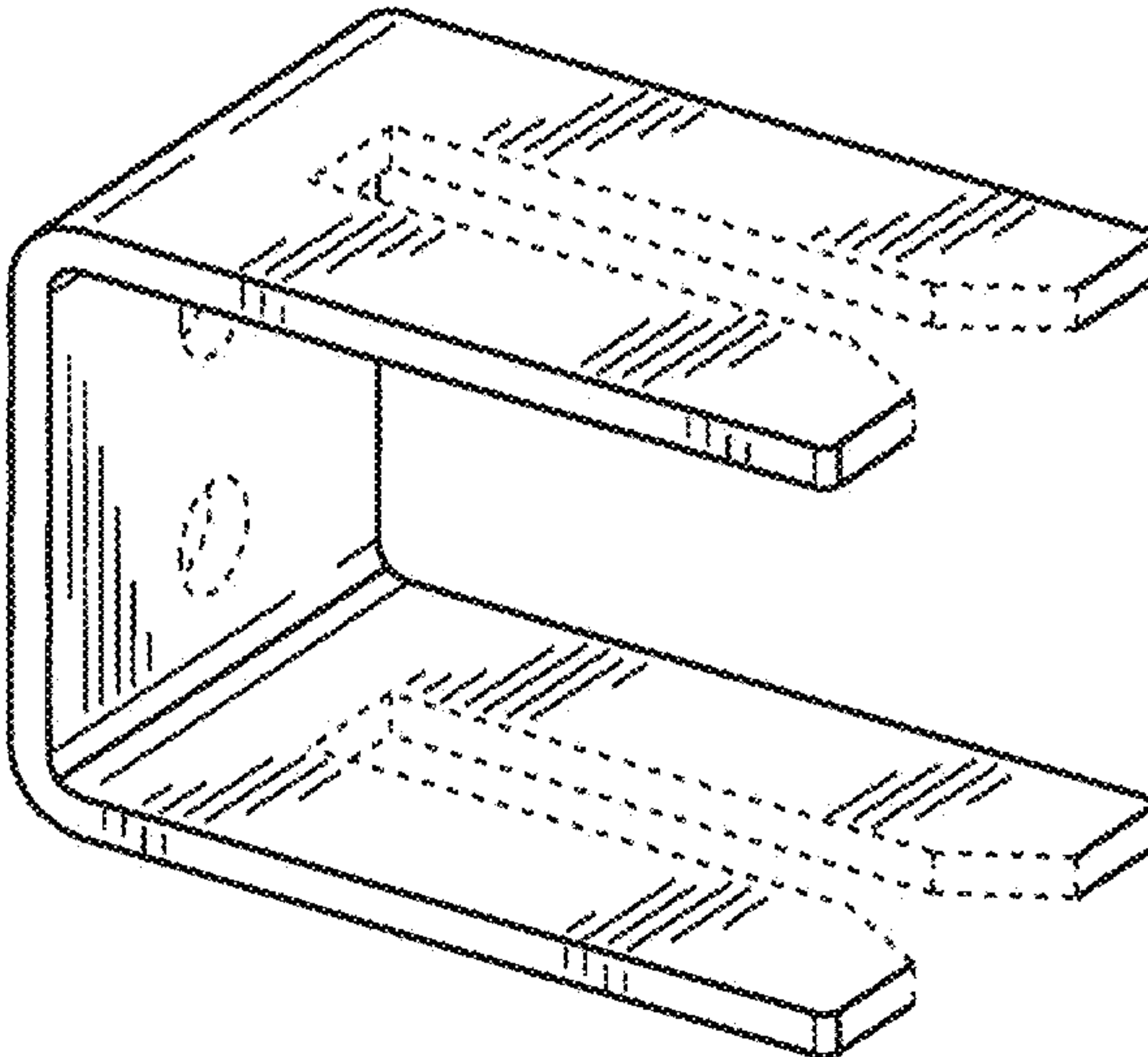


FIG. 1

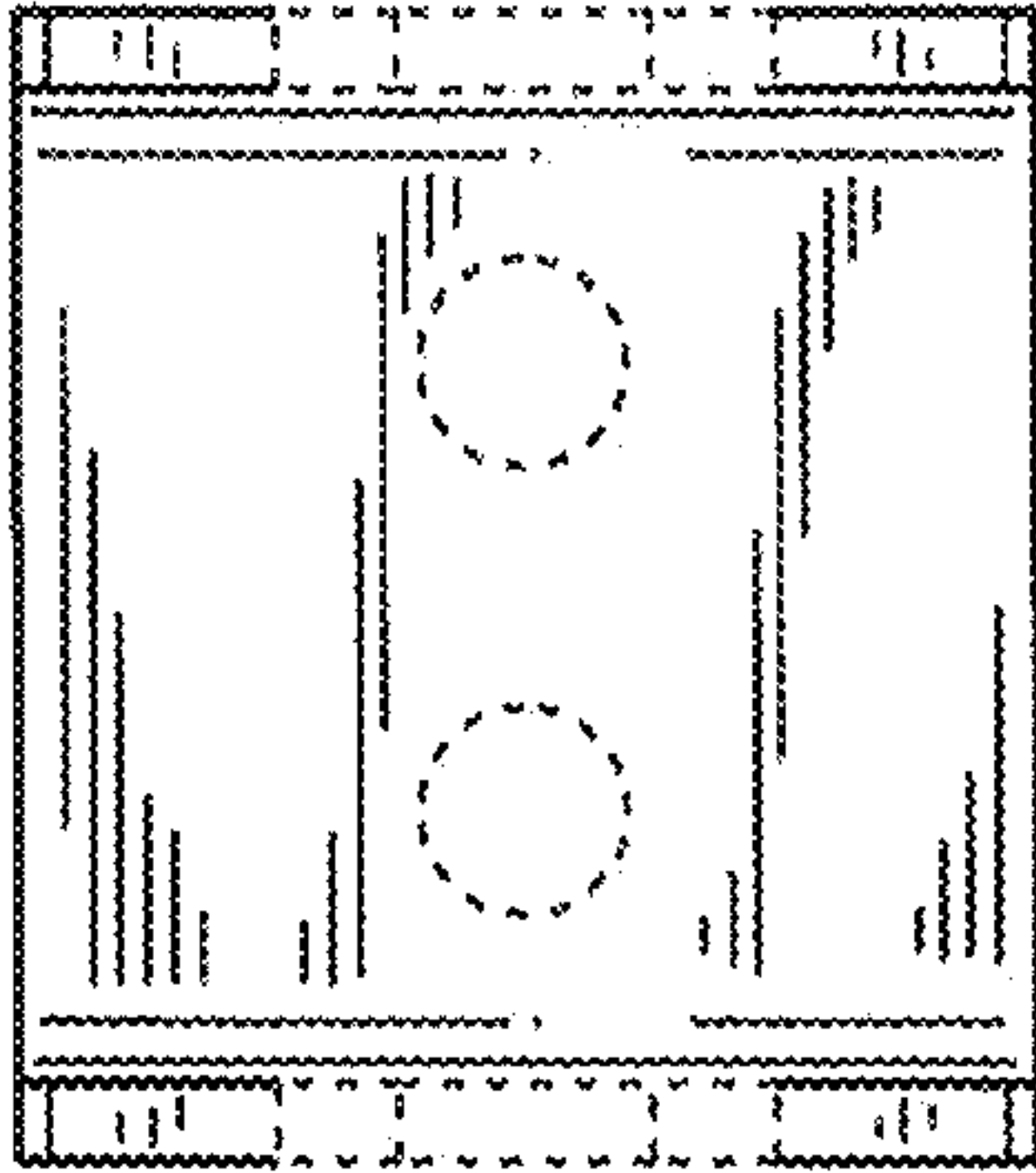


FIG. 2

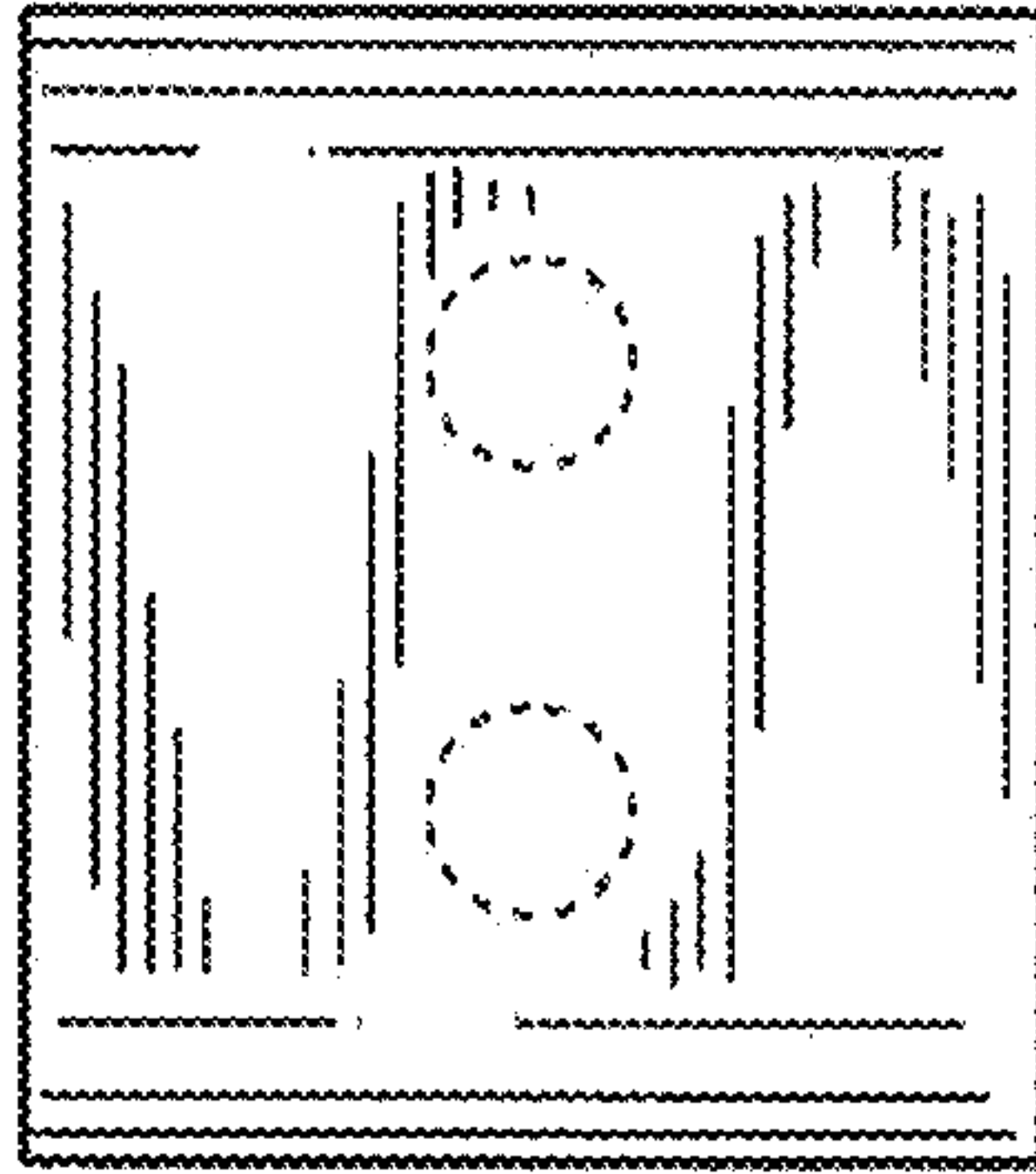


FIG. 3

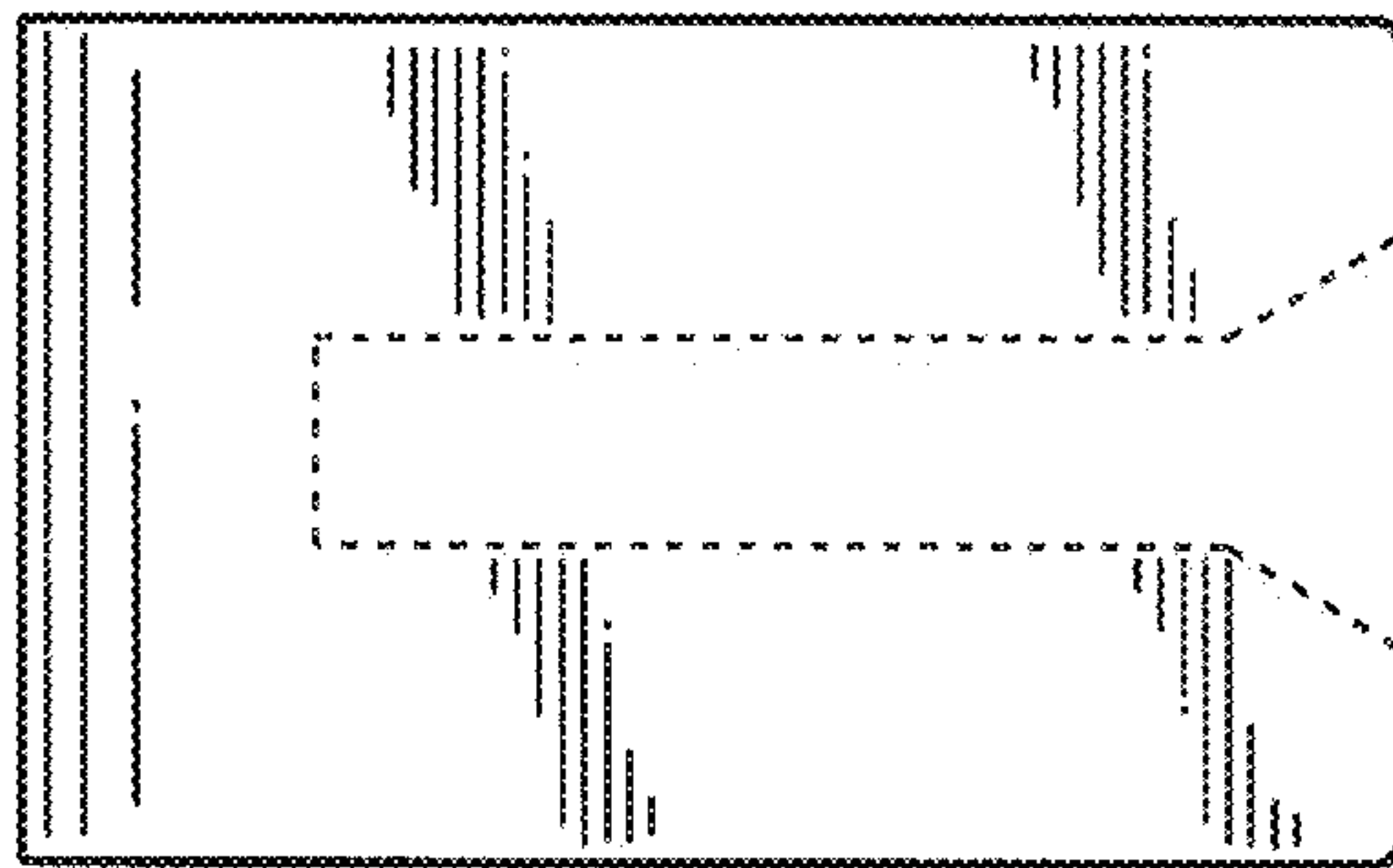


FIG. 4

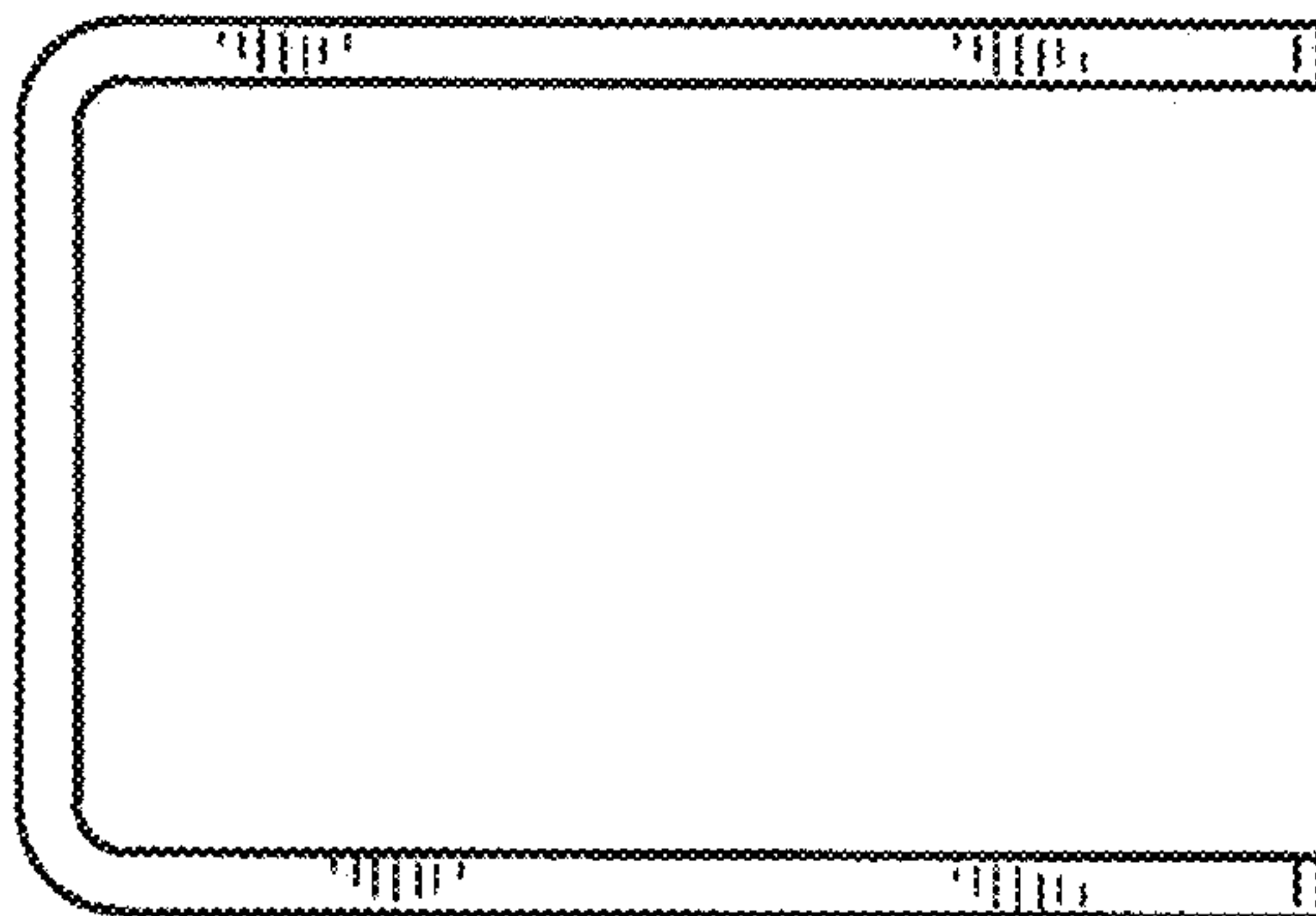


FIG. 5