



US00D758966S

(12) **United States Design Patent**  
**Shigeno et al.**

(10) **Patent No.:** **US D758,966 S**  
(45) **Date of Patent:** **\*\* Jun. 14, 2016**

- (54) **CASE WITH BATTERY CHARGER FOR ELECTRIC TOOTHBRUSH**
- (71) Applicants: **Colgate-Palmolive Company**, New York, NY (US); **Omron Healthcare Co., Ltd.**, Kyoto (JP)
- (72) Inventors: **Takashi Shigeno**, Tokyo (JP); **Kazuya Andachi**, Tokyo (JP); **Tamaki Ito**, Kyoto (JP)
- (73) Assignees: **Colgate-Palmolive Company**, New York, NY (US); **Omron Healthcare Co., Ltd.** (JP)

- (\*\*) Term: **15 Years**
- (21) Appl. No.: **29/533,387**
- (22) Filed: **Jul. 16, 2015**

**Related U.S. Application Data**

- (62) Division of application No. 29/456,355, filed on May 30, 2013, now Pat. No. Des. 736,701.

(30) **Foreign Application Priority Data**

- Nov. 30, 2012 (JP) ..... 2012-029431
- (51) **LOC (10) Cl.** ..... **13-02**
- (52) **U.S. Cl.**  
USPC ..... **D13/108**
- (58) **Field of Classification Search**  
USPC ..... D13/107–110, 118–119, 184, 199;  
D14/251, 253, 432, 434  
CPC ..... H02J 7/025; H02J 7/0042; H02J 7/0044;  
H02J 7/0045; H02J 7/0054; H02J 7/0003;  
B60L 11/182; Y02E 60/12; Y02T 10/7005;  
Y02T 10/7088; Y02T 90/14; Y02T 90/163;  
Y02T 90/122; Y02T 90/128; H01M 2/1022;  
H01M 2/1055; H01M 10/46; H01M 10/44;  
H01M 10/425; H01F 38/14; H01R 13/6675  
See application file for complete search history.

(56) **References Cited**  
U.S. PATENT DOCUMENTS

677,785 A	7/1901	Mariner
1,008,523 A	11/1911	Boyle

(Continued)

FOREIGN PATENT DOCUMENTS

CN	201453403	5/2010
CN	201676306	12/2010

(Continued)

OTHER PUBLICATIONS

Bling Dental Products, “BlasterPRO Travel Charger & UV Sanitizer,” located at [www.blingdentalproducts.com/products/toothbrush-travel-charger-cases/blasterpro.html](http://www.blingdentalproducts.com/products/toothbrush-travel-charger-cases/blasterpro.html), accessed on Nov. 18, 2013.

(Continued)

*Primary Examiner* — Rosemary K Tarcza

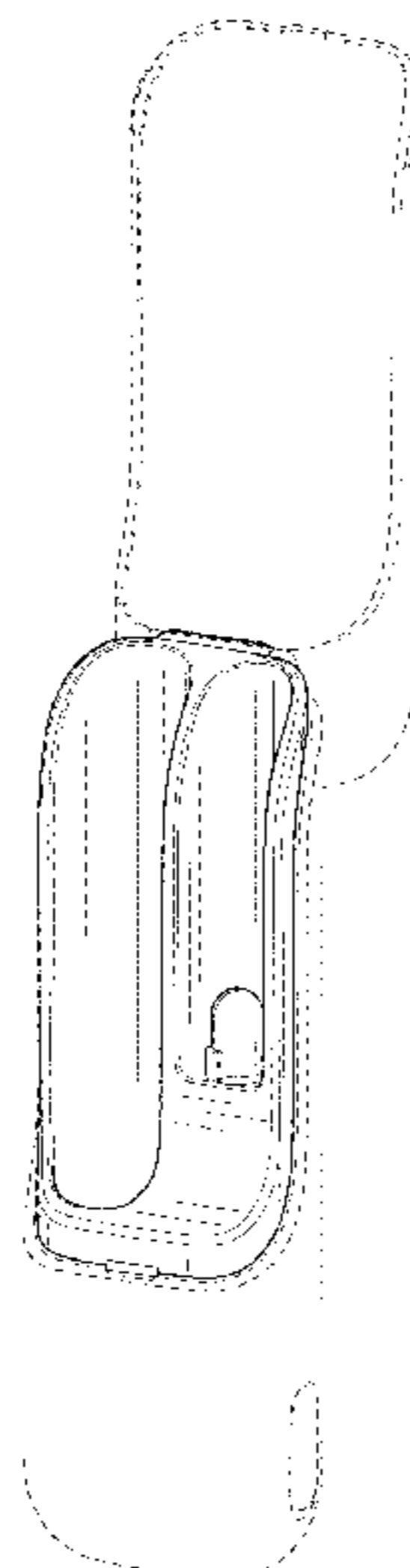
(57) **CLAIM**

The ornamental design for a case with battery charger for electric toothbrush, as shown and described.

**DESCRIPTION**

FIG. 1 is a perspective front view of a case with battery charger for electric toothbrush according to the new design; FIG. 2 is a perspective rear view thereof; FIG. 3 is a front view thereof; FIG. 4 is a rear view thereof; FIG. 5 is a top view thereof; FIG. 6 is a bottom view thereof; FIG. 7 is a right side view thereof; and, FIG. 8 is a left side view thereof. All broken lines shown in the drawings are for environmental purposes only and form no part of the claimed design.

**1 Claim, 7 Drawing Sheets**



(56)

References Cited

U.S. PATENT DOCUMENTS

D199,728 S 12/1964 Hall  
 3,194,621 A 7/1965 Frost  
 3,287,076 A 11/1966 Spofford  
 3,463,994 A 8/1969 Spohr  
 D331,220 S \* 11/1992 Tsuchiya ..... D13/107  
 D334,170 S \* 3/1993 Rams ..... D13/108  
 D336,281 S 6/1993 Nakamura et al.  
 6,027,081 A 2/2000 Rosenger  
 D455,397 S \* 4/2002 Weiner ..... D13/108  
 D460,962 S \* 7/2002 Peiker ..... D14/253  
 6,726,004 B2 4/2004 Watson  
 6,753,537 B2 6/2004 Woo  
 D493,136 S 7/2004 Since  
 6,906,495 B2 6/2005 Cheng et al.  
 6,910,717 B1 6/2005 Moyer  
 D524,315 S 7/2006 Reusing et al.  
 D543,935 S 6/2007 Ke  
 D552,029 S 10/2007 Kingston et al.  
 D552,539 S 10/2007 Choi et al.  
 D553,077 S 10/2007 Kim et al.  
 D557,209 S \* 12/2007 Ahlgren ..... D13/108  
 7,320,397 B2 1/2008 Chao  
 7,348,572 B2 3/2008 Shin  
 D565,506 S 4/2008 Sacco et al.  
 7,378,067 B2 5/2008 Song et al.  
 D599,735 S \* 9/2009 Amidei ..... D13/107  
 D602,430 S 10/2009 Green et al.  
 D617,730 S \* 6/2010 Mosiello ..... D13/108  
 D622,406 S 8/2010 Russell, II et al.  
 D623,129 S \* 9/2010 Kawakami ..... D13/107  
 D623,130 S \* 9/2010 Kawakami ..... D13/107  
 D632,647 S \* 2/2011 Fitch ..... D13/107  
 D639,732 S \* 6/2011 Ueda ..... D13/107  
 D667,785 S \* 9/2012 Ueda ..... D13/107  
 8,373,387 B2 2/2013 Bourilkov et al.  
 8,408,483 B2 4/2013 Boyd et al.  
 D683,731 S 6/2013 Chiu et al.  
 8,522,973 B2 9/2013 Joseph  
 D694,181 S 11/2013 Byun  
 2005/0189911 A1 9/2005 Cheng  
 2006/0022636 A1 2/2006 Xian et al.  
 2006/0027246 A1 2/2006 Wilkinson  
 2007/0182367 A1 8/2007 Partovi  
 2009/0127214 A1 5/2009 Kruger et al.

2011/0148357 A1\* 6/2011 Lu ..... H02J 7/0045  
 320/111  
 2011/0315572 A1 12/2011 Vu et al.  
 2012/0192367 A1 8/2012 Lin  
 2013/0277271 A1 10/2013 Toulotte

FOREIGN PATENT DOCUMENTS

CN 202069891 U 12/2011  
 CN 202333855 7/2012  
 CN 202446285 9/2012  
 CN 102813558 12/2012  
 CN 202651859 U 1/2013  
 DE 2646457 A1 4/1977  
 GB 1195209 A 6/1970  
 JP H07263032 A 10/1995  
 JP H0880220 A 3/1996  
 TW M421808 2/2012  
 WO WO 00/70999 A1 11/2000  
 WO WO 00/74591 12/2000  
 WO WO 03/096361 11/2003  
 WO WO 03/096512 11/2003  
 WO WO 2004/038888 5/2004  
 WO WO 2005/037331 A1 4/2005  
 WO WO 2008/147360 12/2008  
 WO WO 2010/067328 6/2010

OTHER PUBLICATIONS

Group Buyer, "USB Rechargeable Electric Toothbrush," published on Jul. 20, 2013, located at [www.groupbuyer.com.hk/en/deal/osbert\\_paris\\_company\\_20130710](http://www.groupbuyer.com.hk/en/deal/osbert_paris_company_20130710), accessed on Nov. 22, 2013.  
 Jaewanworks, "In & Out," published in 2012, located at [www.jaewanworks.com/in&out.html](http://www.jaewanworks.com/in&out.html), accessed on Nov. 22, 2013.  
 Omron, "Toothbrush Electric HT-B601 Sound Wave Portable White Japan New," released Feb. 15, 2013, located at [www.ebay.com/itm/OMRON-Toothbrush-Electric-HT-B601-Sound-Wave-POR-TABLE-White-Japan-NEW-/321250251956?pt=LH\\_DefaultDomain\\_0&hash=item4acc01d4b4](http://www.ebay.com/itm/OMRON-Toothbrush-Electric-HT-B601-Sound-Wave-POR-TABLE-White-Japan-NEW-/321250251956?pt=LH_DefaultDomain_0&hash=item4acc01d4b4), accessed on Nov. 18, 2013.  
 Philips, "Sonicare DiamondClean," located at [www.sonicare.com/professional/en\\_us/OurProducts/DiamondClean.aspx](http://www.sonicare.com/professional/en_us/OurProducts/DiamondClean.aspx), accessed on Nov. 16, 2013.  
 Pursonic, "S1 Portable UV Toothbrush Sanitizer," located at [www.pursonicusa.com/S1-Portable-UV-Toothbrush-Sanitizer/p-5](http://www.pursonicusa.com/S1-Portable-UV-Toothbrush-Sanitizer/p-5), accessed on Nov. 22, 2013.

\* cited by examiner

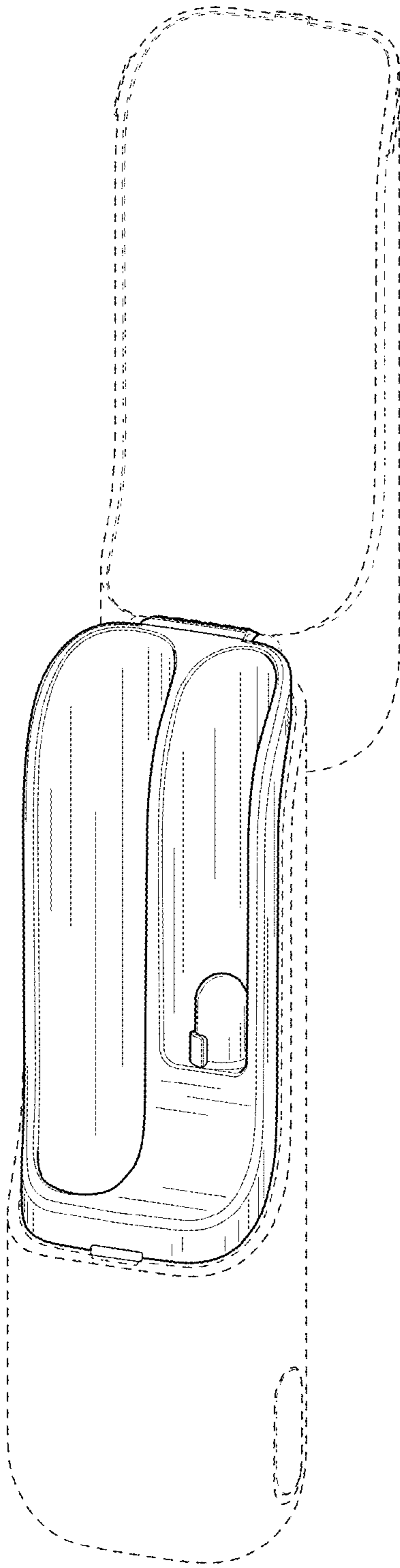


FIG. 1

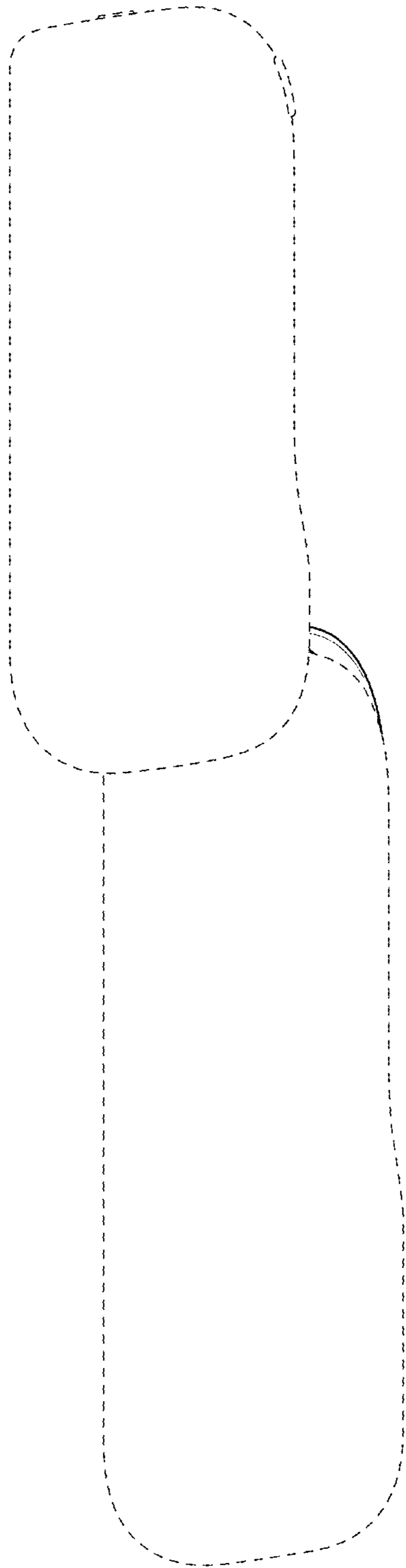


FIG. 2

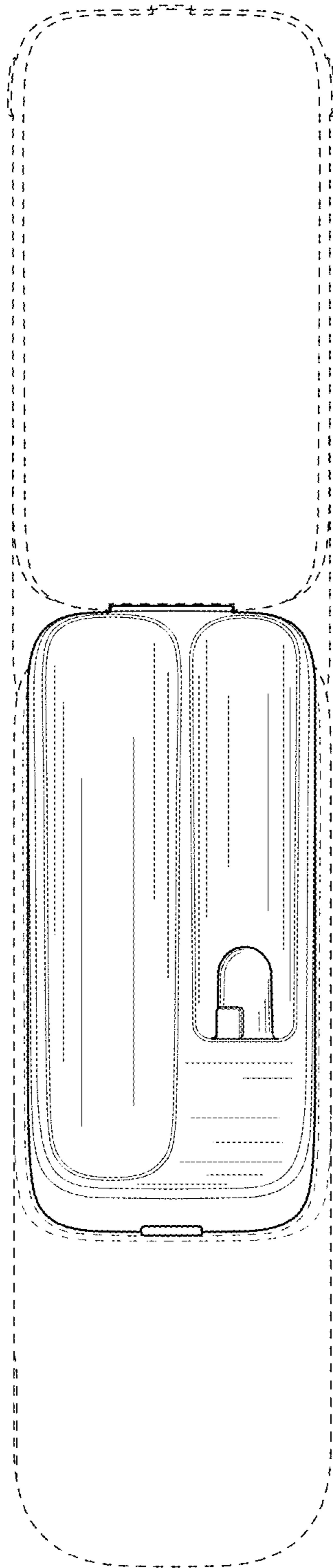


FIG. 3

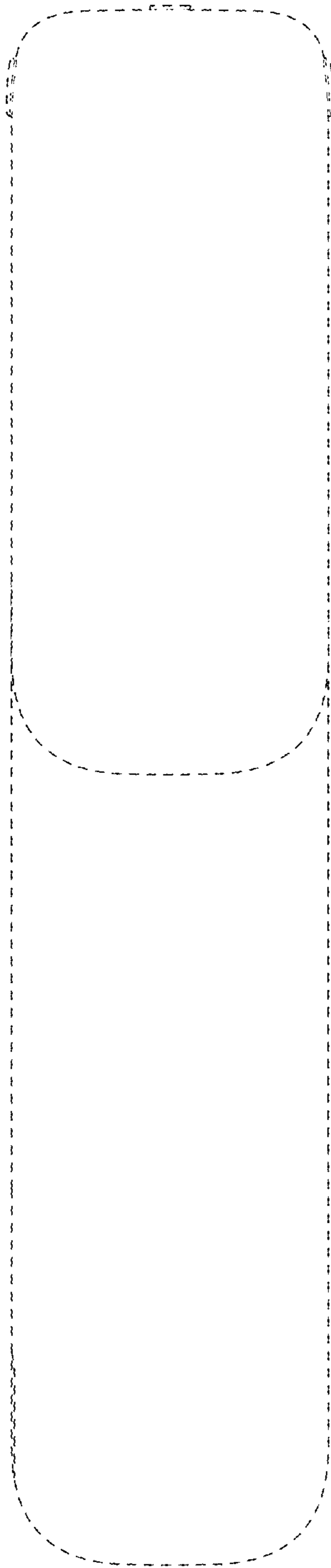


FIG. 4



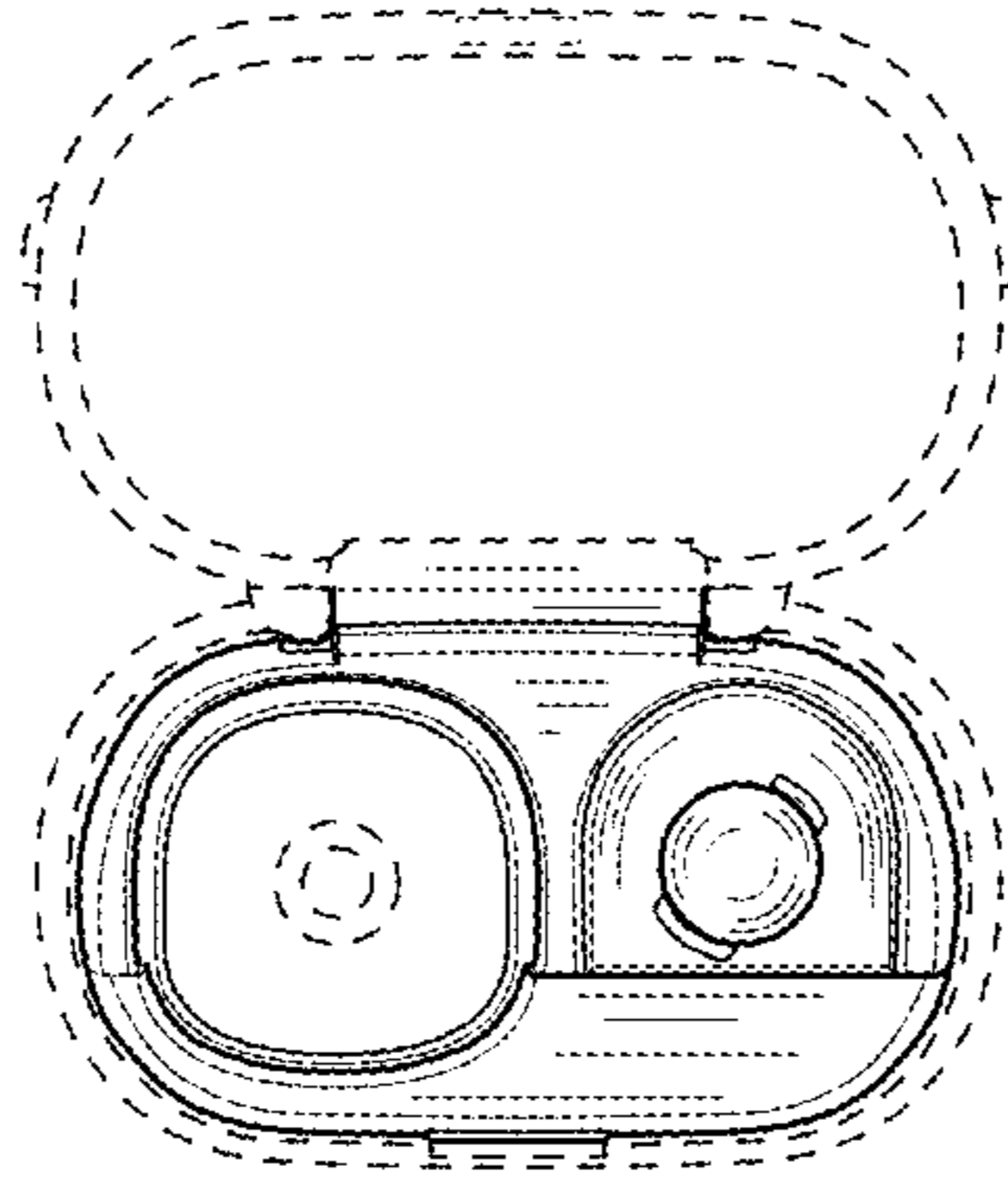


FIG. 5

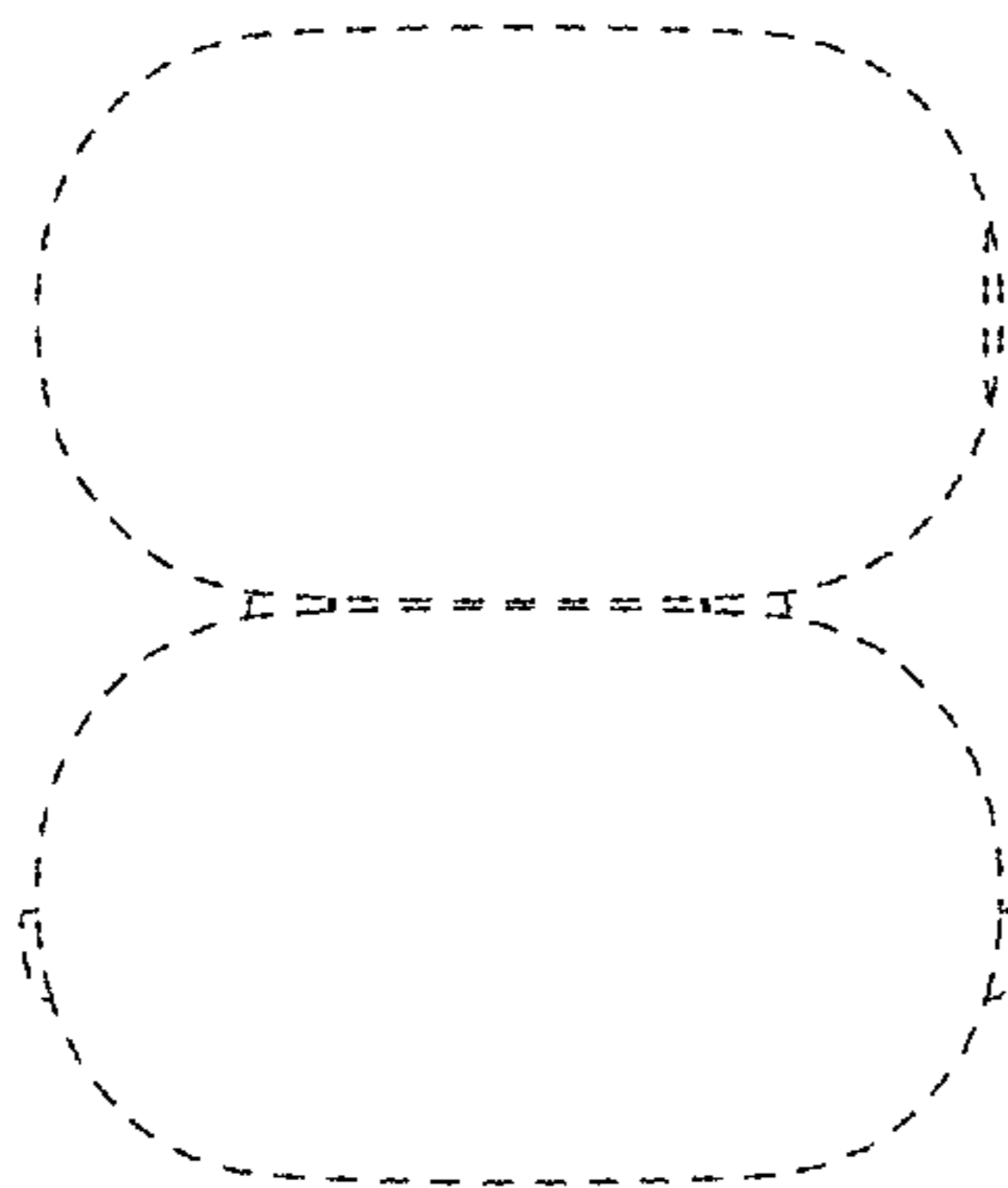


FIG. 6

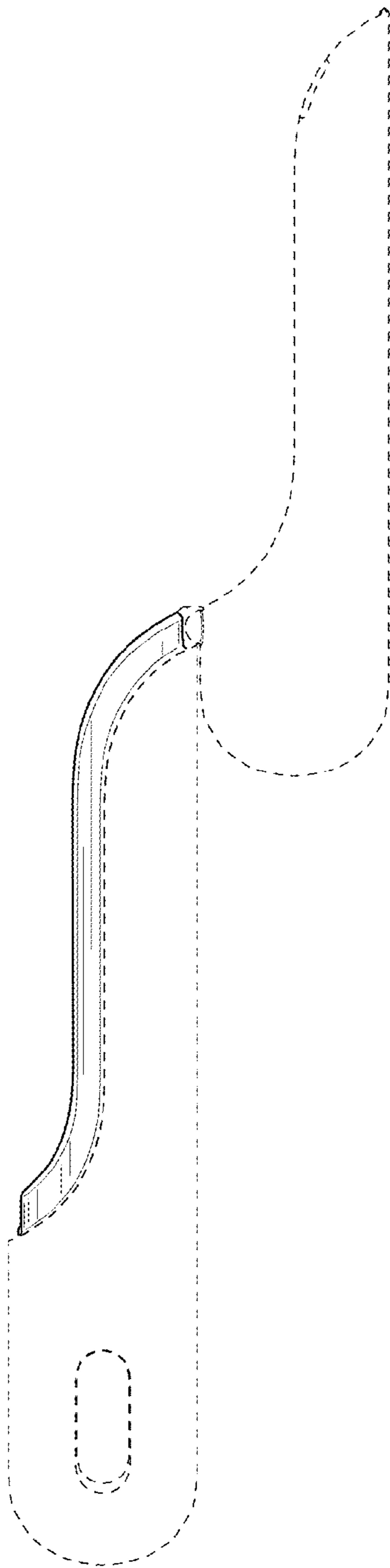


FIG. 7



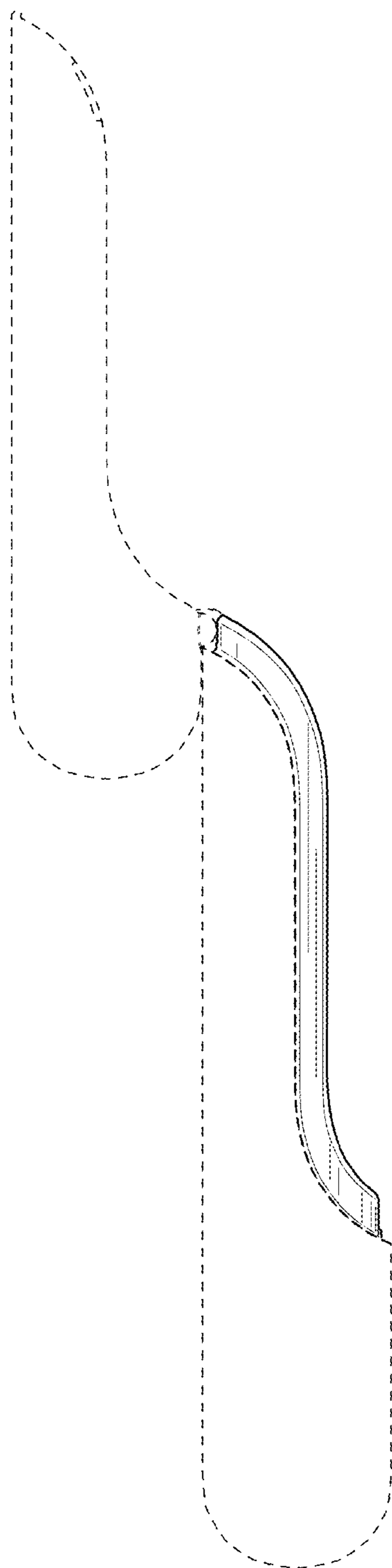


FIG. 8