



US00D758965S

(12) **United States Design Patent**
Jen

(10) **Patent No.:** **US D758,965 S**
(45) **Date of Patent:** **** Jun. 14, 2016**

(54) **CHARGING ADAPTER**

(71) Applicant: **Jerry Jen**, Arcadia, CA (US)

(72) Inventor: **Jerry Jen**, Arcadia, CA (US)

(**) Term: **14 Years**

(21) Appl. No.: **29/516,545**

(22) Filed: **Feb. 3, 2015**

(51) **LOC (10) Cl.** **13-02**

(52) **U.S. Cl.**

USPC **D13/108**

(58) **Field of Classification Search**

USPC D13/107–110, 118, 119, 133, 144, 184;
D14/155, 251, 253, 432, 434;
320/107–115; 363/146; 439/300,
439/620.01, 638, 668–669, 675, 825

CPC Y02E 60/12; Y02T 90/14; Y02T 90/122;
Y02T 90/128; Y02T 90/163; H02J 7/025;
H02J 7/042; H02J 7/044; H02J 7/0003;
H02J 7/0027; H02J 7/0013; H02J 7/0054;
H02J 7/00; H02J 2001/008; H02J 3/32;
H02J 3/008; H02J 7/0055; H02J 7/0057;
H01F 38/14; H01R 13/6675; H01R 13/70;
H01R 13/71; H01R 13/66; H01M 2/1022;
H01M 2/1055; H01M 10/44; H01M 10/46;
H01M 10/425; B60L 11/182; B60L 11/1809;
B60L 11/1861; B60R 16/03; H05K 11/02

See application file for complete search history.

(56) **References Cited**

U.S. PATENT DOCUMENTS

5,847,545	A *	12/1998	Chen	H01R 29/00 307/18
6,126,460	A *	10/2000	Wu	H01R 27/00 439/131
6,478,628	B1 *	11/2002	Ming	B60N 3/14 439/640
D492,249	S *	6/2004	Suomalainen	D13/108
D675,988	S *	2/2013	Levy	D13/144
D700,572	S *	3/2014	Esses	D13/108
D700,573	S *	3/2014	Esses	D13/108
D714,727	S *	10/2014	Cai	D13/144
8,988,040	B2 *	3/2015	Levy	H01R 31/065 320/107
D736,154	S *	8/2015	Levy	D13/108

D746,773	S *	1/2016	Andre	D13/110
2008/0185990	A1 *	8/2008	Hsu	H01M 2/1022 320/103
2009/0237031	A1 *	9/2009	McSweyn	H02J 7/0044 320/114
2010/0052613	A1 *	3/2010	Leung	H02J 7/0045 320/114
2010/0117597	A1 *	5/2010	Wang	H02J 7/0042 320/111
2010/0210314	A1 *	8/2010	Wang	H01R 24/58 455/569.1
2011/0084660	A1 *	4/2011	McSweyn	H01R 13/6675 320/111
2012/0214348	A1 *	8/2012	Youssefi-Shams	H01R 13/44 439/638
2013/0183852	A1 *	7/2013	Rostami	H02J 7/0042 439/502
2014/0152257	A1 *	6/2014	Miller	H02J 7/0042 320/111
2014/0218974	A1 *	8/2014	Chang	H02M 1/10 363/21.01
2015/0263553	A1 *	9/2015	Fuller	H02J 7/0044 320/114
2015/0270726	A1 *	9/2015	Ye	H02J 7/0042 320/107
2015/0280479	A1 *	10/2015	Levy	H02J 7/0042 320/111

* cited by examiner

Primary Examiner — Rosemary K Tarcza

Assistant Examiner — Christy Nemeth

(74) *Attorney, Agent, or Firm* — Che-Yang Chen; Law Offices of Scott Warmuth

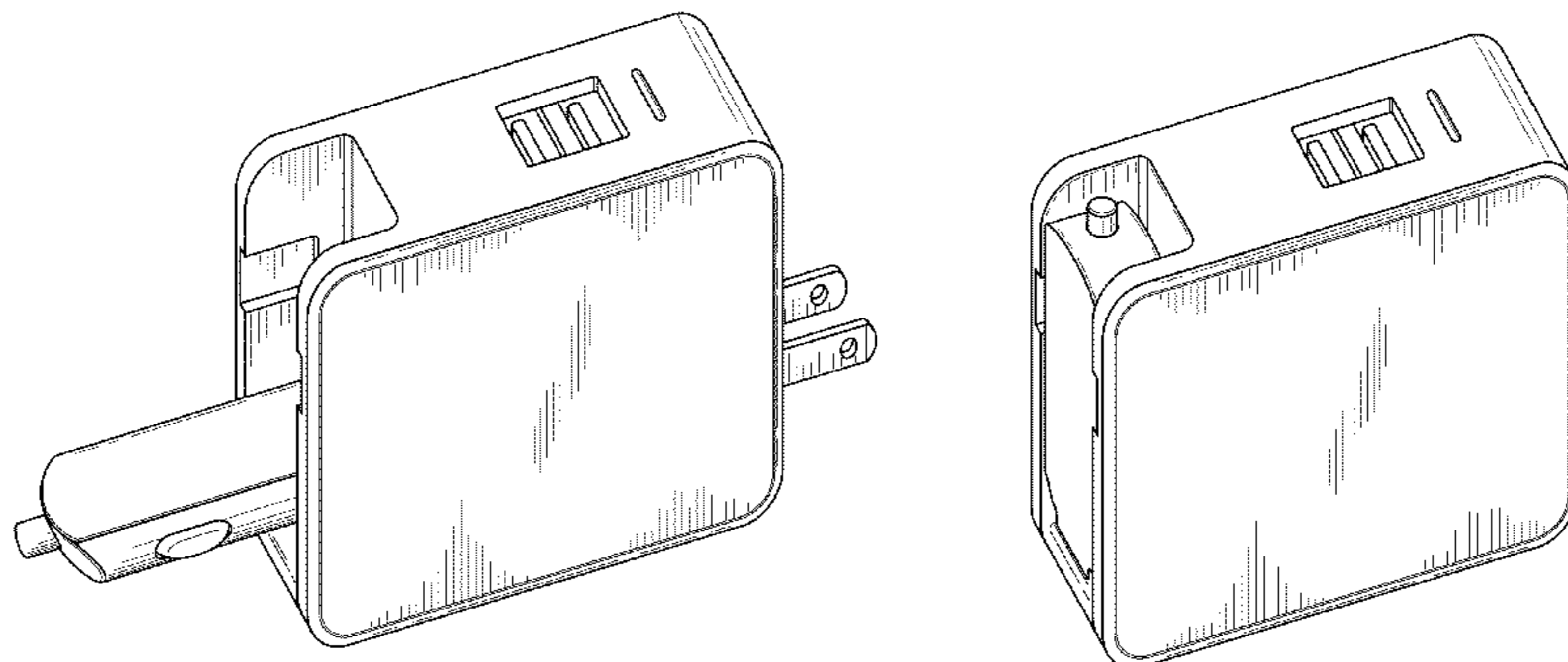
(57) **CLAIM**

The ornamental design for a charging adapter, as shown and described.

DESCRIPTION

FIG. 1 is a perspective view of the charging adapter showing my new design;
FIG. 2 is a right side elevational view thereof;
FIG. 3 is a left side elevational view thereof;
FIG. 4 is a front elevational view thereof;
FIG. 5 is a rear elevational view thereof;
FIG. 6 is a top plan view thereof;
FIG. 7 is a bottom plan view thereof; and,
FIG. 8 is a perspective view of the charging adapter in a folded status.

1 Claim, 3 Drawing Sheets



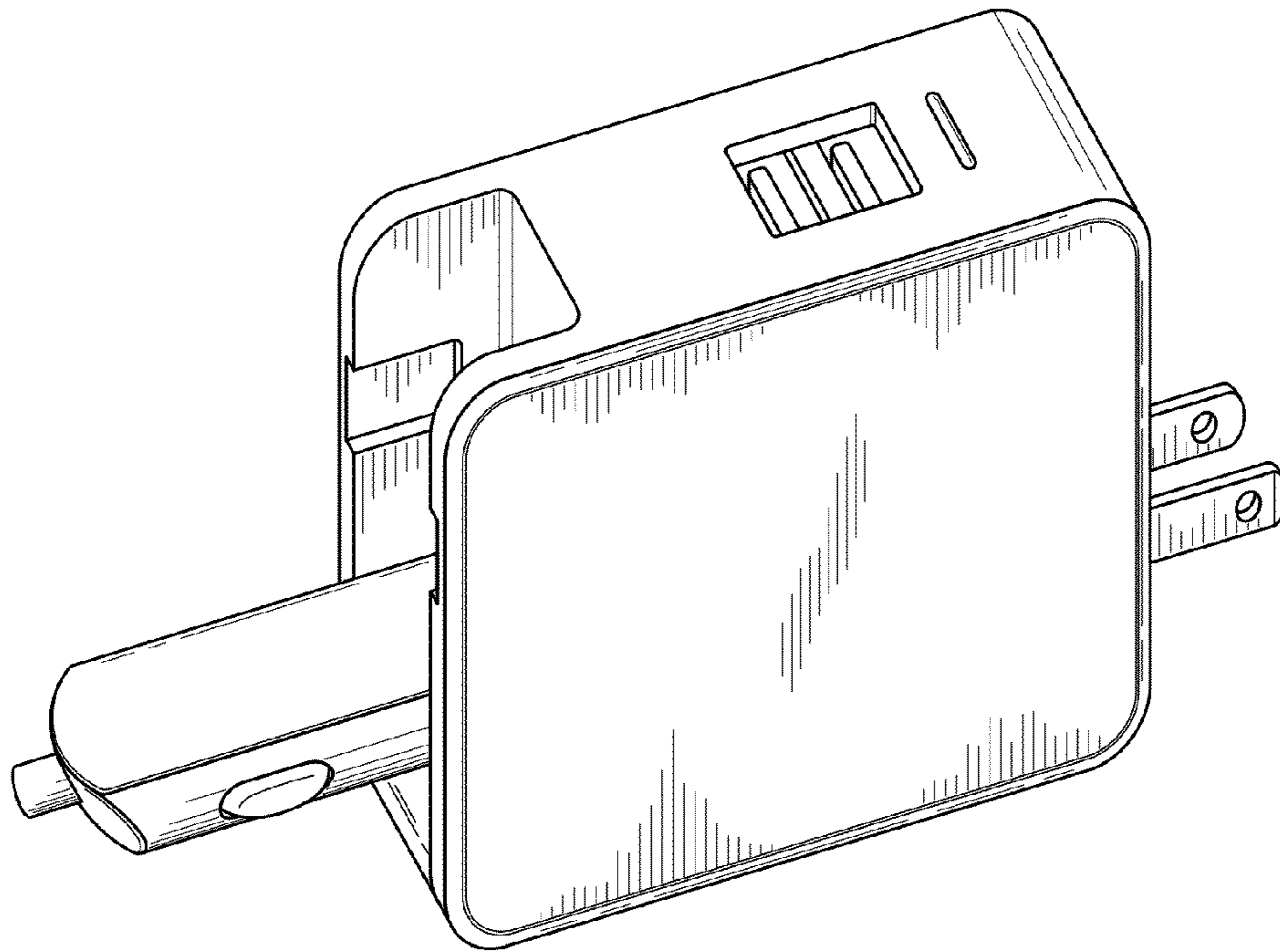


FIG. 1

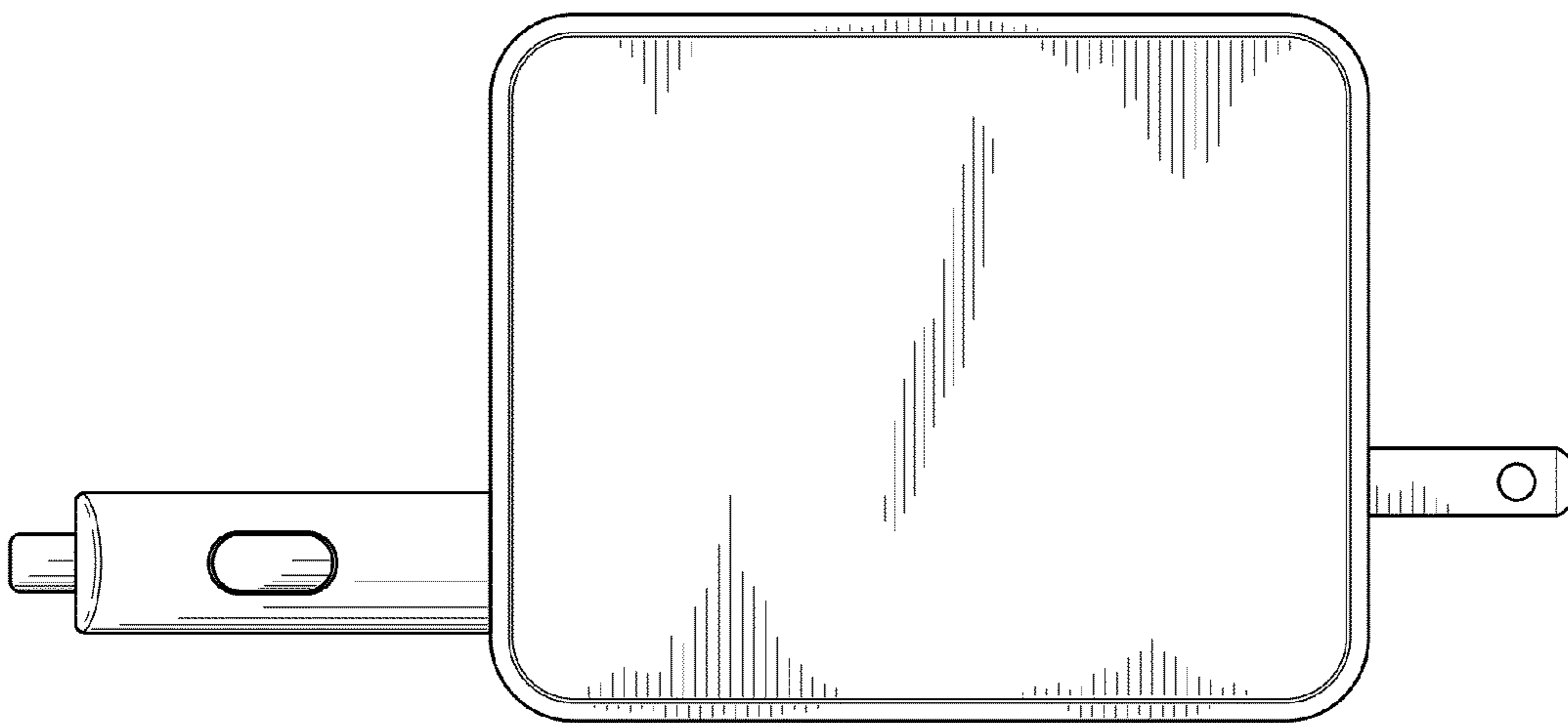


FIG. 2

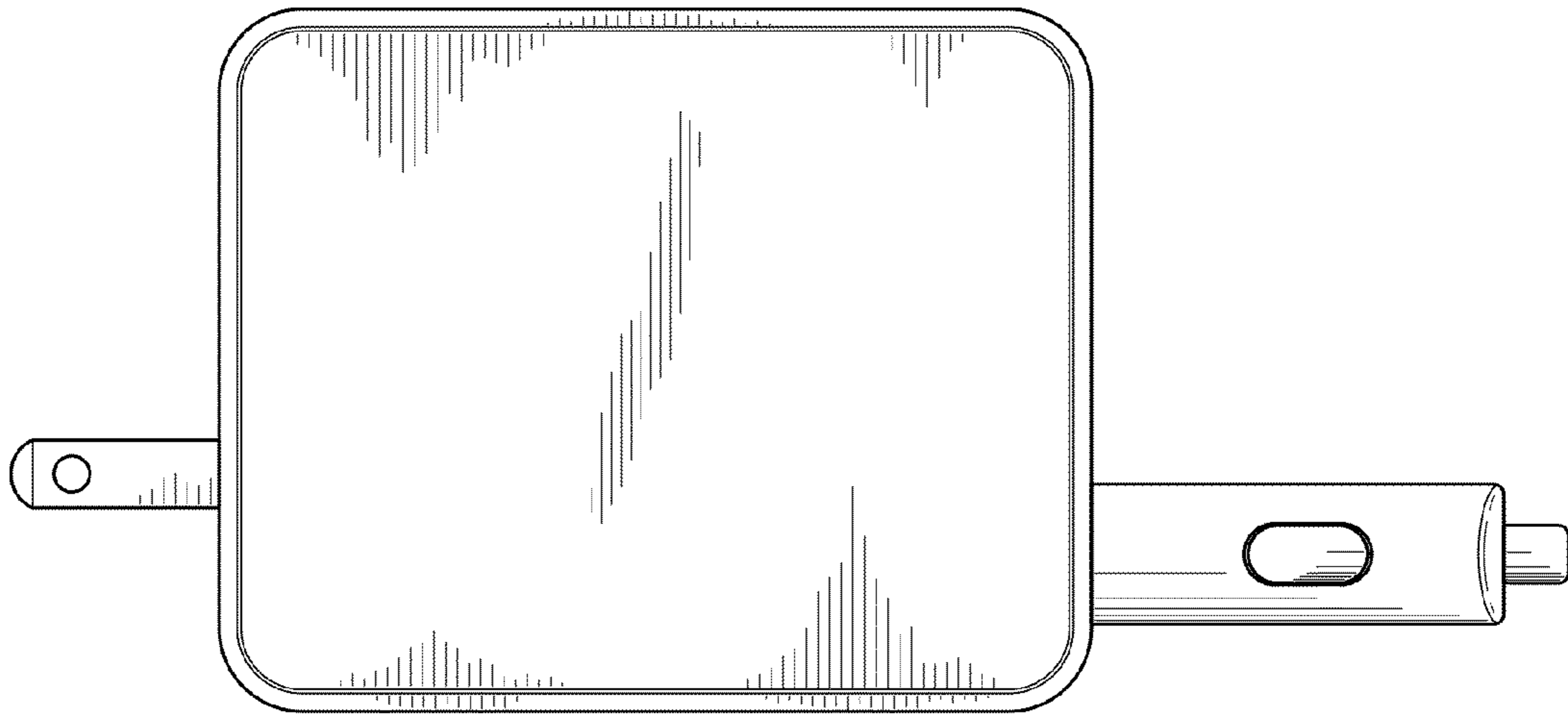


FIG. 3

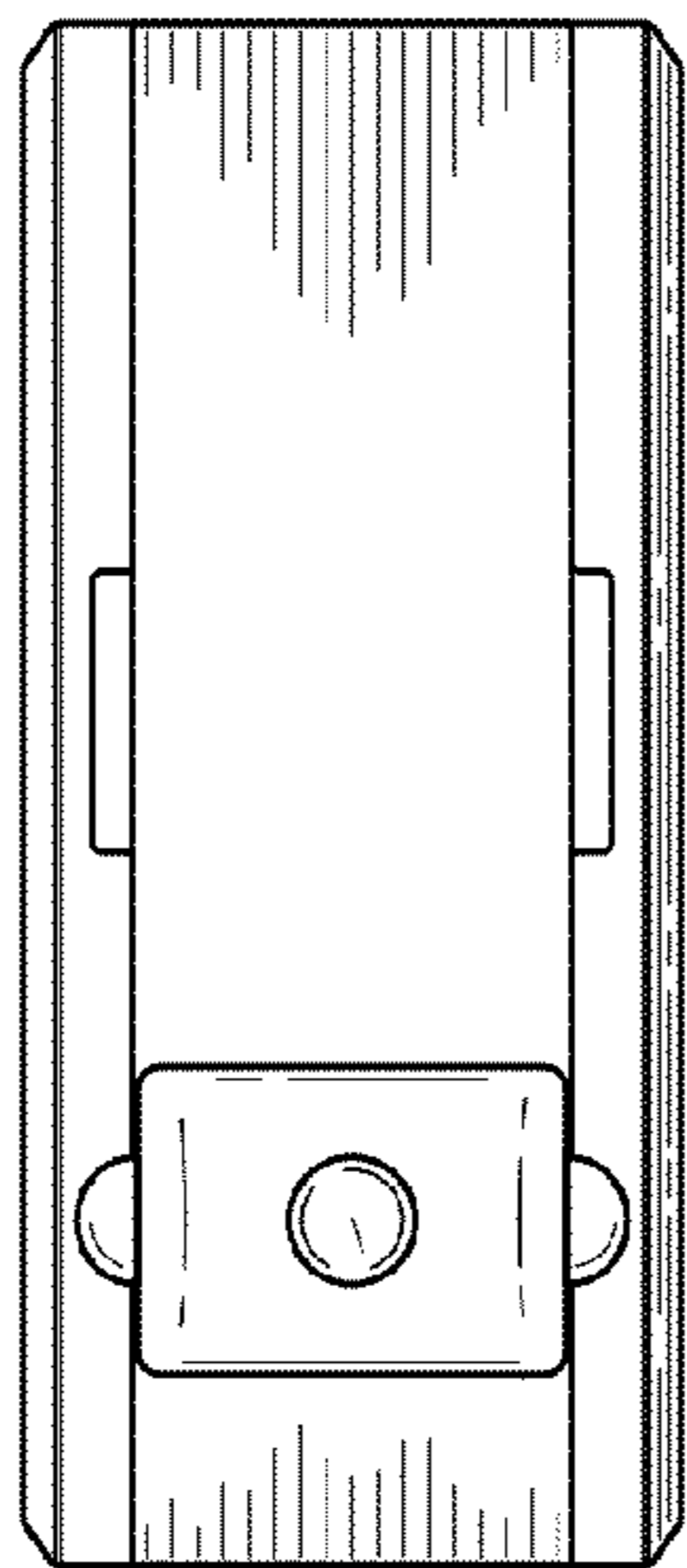


FIG. 4

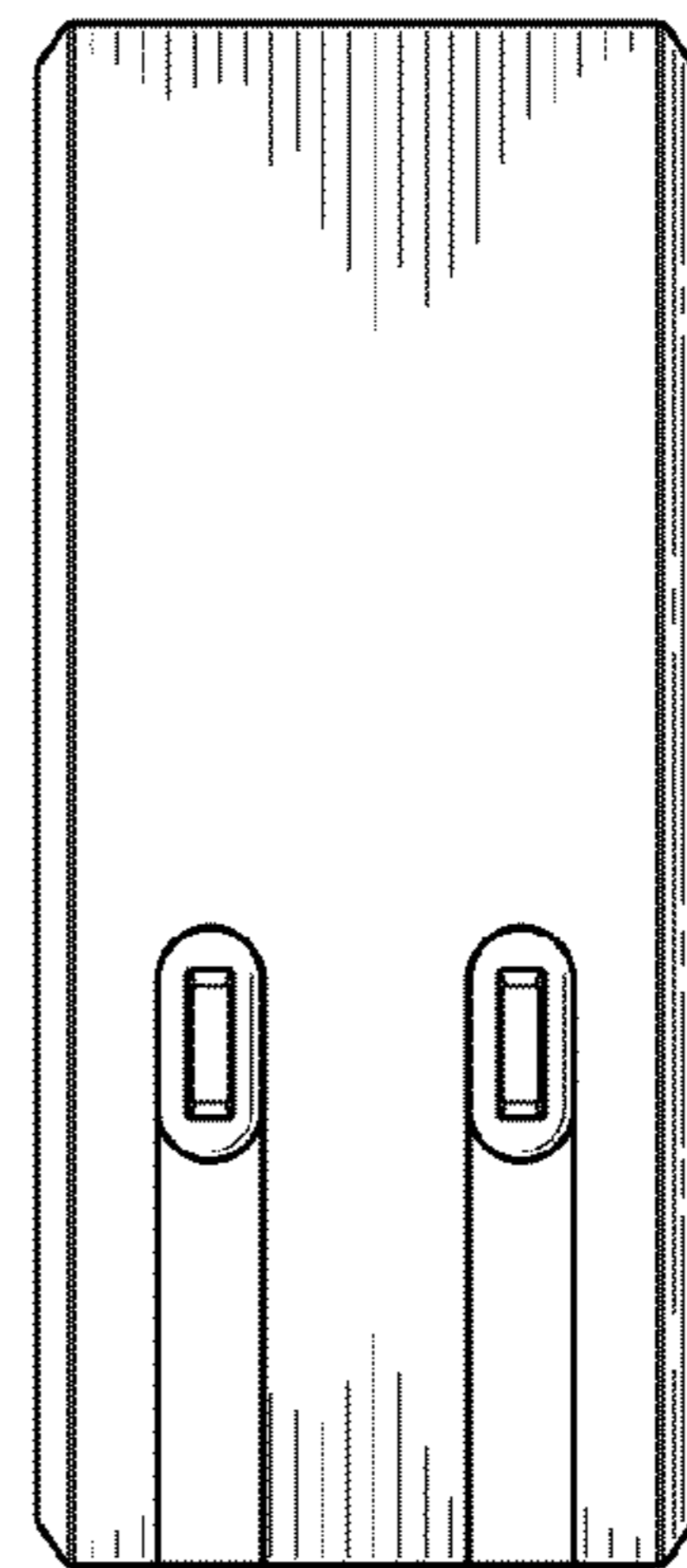


FIG. 5

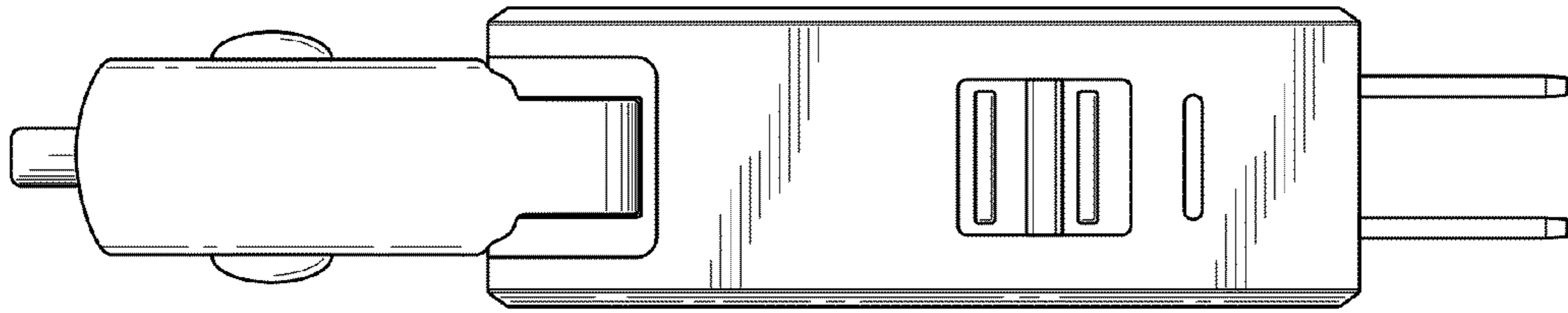


FIG. 6

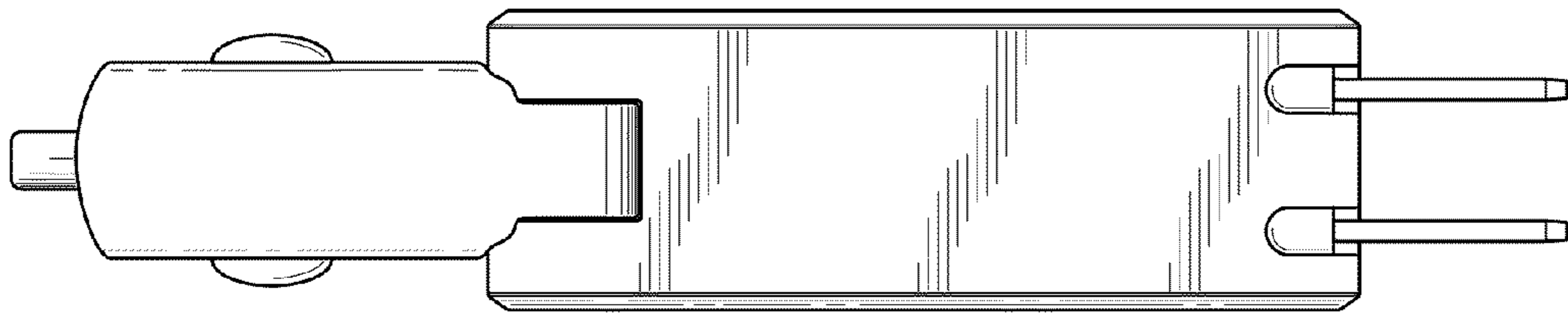


FIG. 7

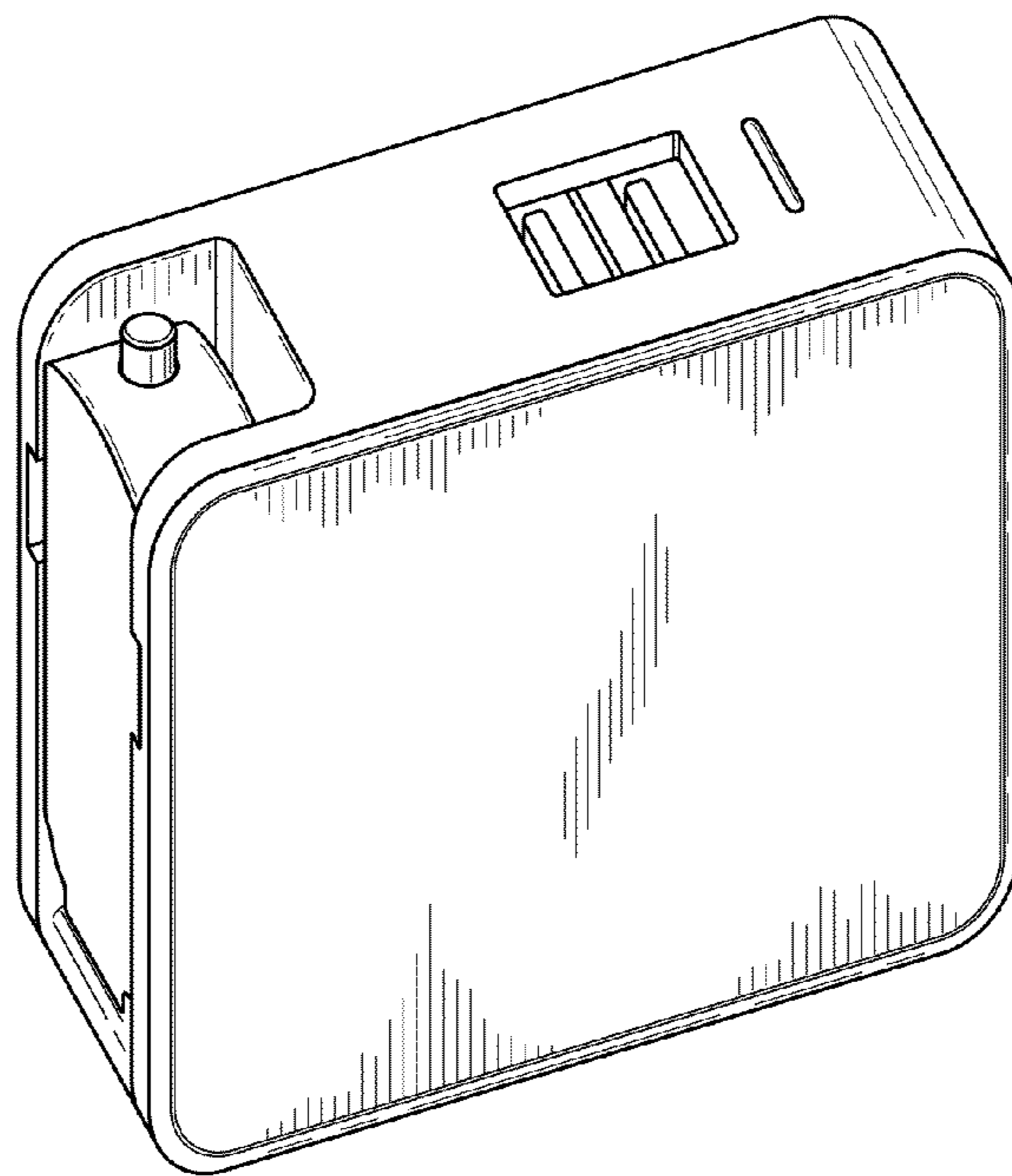


FIG. 8