



US00D758964S

(12) **United States Design Patent**
Murphy

(10) **Patent No.:** **US D758,964 S**
(45) **Date of Patent:** **** Jun. 14, 2016**

(54) **DECORATIVE DEVICE CHARGER**

(71) Applicant: **Jennifer Ann Murphy**, Nashville, TN
(US)

(72) Inventor: **Jennifer Ann Murphy**, Nashville, TN
(US)

(73) Assignee: **Griffin Technology, Inc.**, Nashville, TN
(US)

(**) Term: **14 Years**

(21) Appl. No.: **29/509,659**

(22) Filed: **Nov. 20, 2014**

(51) **LOC (10) Cl.** **13-02**

(52) **U.S. Cl.**
USPC **D13/108**

(58) **Field of Classification Search**
USPC D13/107–110, 118–119, 184, 199;
D14/251, 253, 432, 434
CPC Y02E 60/12; Y02T 90/14; Y02T 90/122;
Y02T 90/128; Y02T 90/163; H02J 7/025;
H02J 7/0042; H02J 7/0044; H02J 7/0045;
H02J 7/0003; H01F 38/14; H01R 13/6675;
H01M 2/1022; H01M 2/1055; H01M 10/44;
H01M 10/46; H01M 10/425; B60L 11/82
See application file for complete search history.

(56) **References Cited**

U.S. PATENT DOCUMENTS

D446,185 S * 8/2001 Saastamoinen D13/108
D663,684 S * 7/2012 Yang D13/108
D663,685 S * 7/2012 Yang D13/108

D676,382 S * 2/2013 McSweyn D13/108
D677,221 S * 3/2013 McSweyn D13/108
D683,310 S * 5/2013 McSweyn D13/108
D699,674 S * 2/2014 Man D13/108
D712,829 S * 9/2014 Huang D13/110
D713,334 S * 9/2014 Mao D13/103
D713,335 S * 9/2014 Mao D13/103
D715,734 S * 10/2014 Levy D13/110
D732,472 S * 6/2015 Laffon D13/110
D744,944 S * 12/2015 Bates D13/107

* cited by examiner

Primary Examiner — Rosemary K Tarcza

(74) *Attorney, Agent, or Firm* — Hornkohl Intellectual
Property Law, PLLC; Jason L. Hornkohl

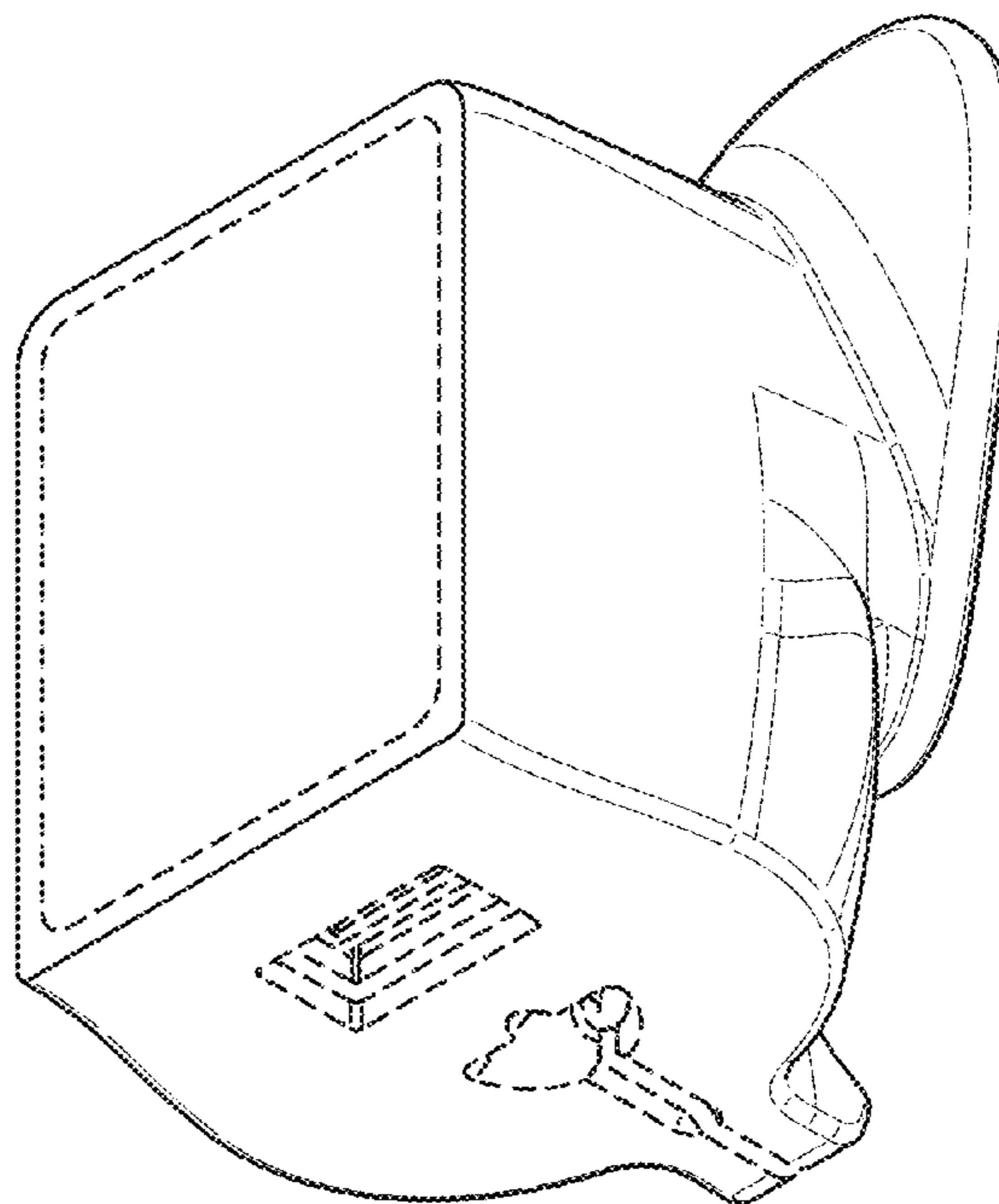
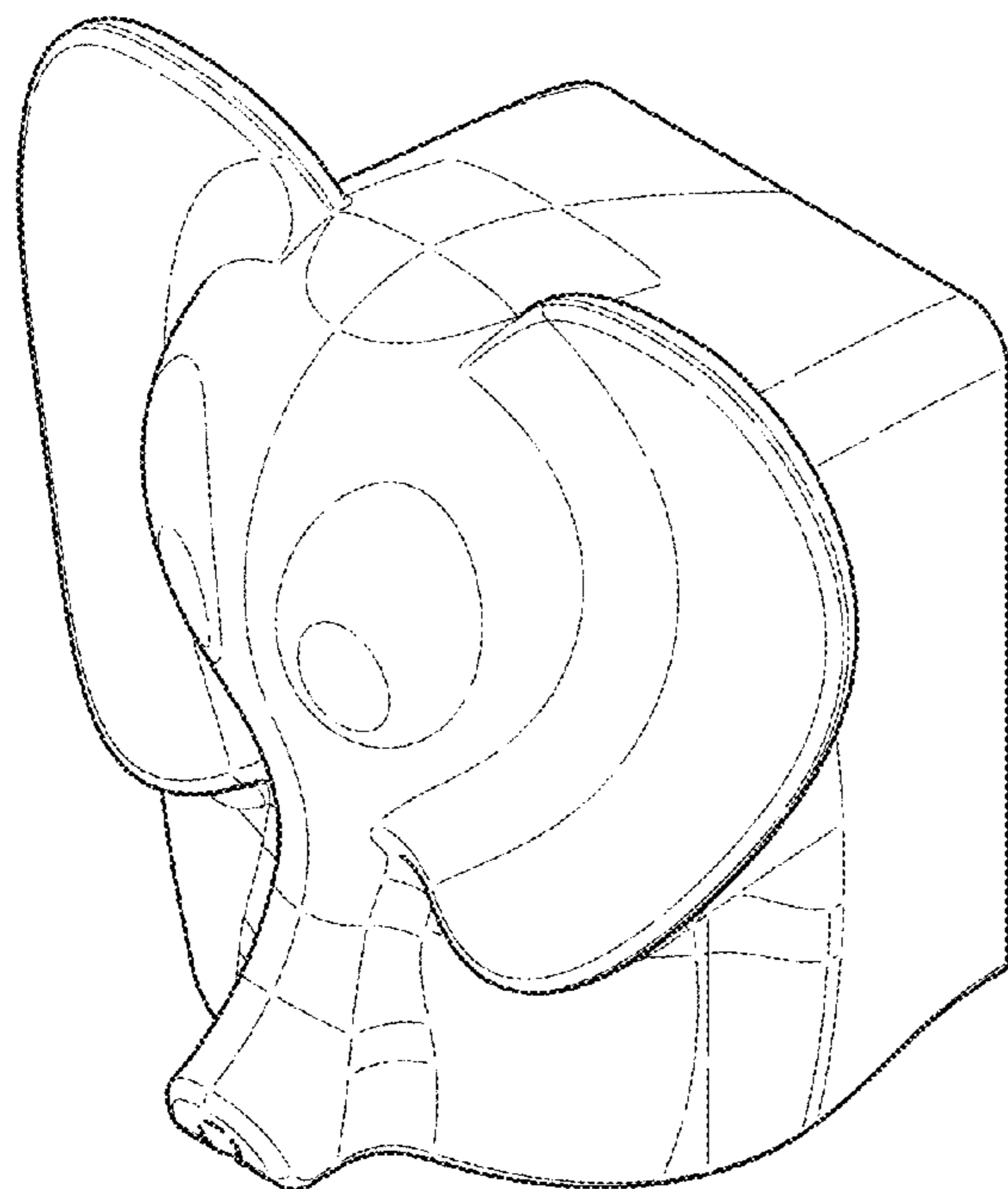
(57) **CLAIM**

The ornamental design for a decorative device charger, as
shown and described.

DESCRIPTION

FIG. 1 is an isometric front view of the new design for a
decorative device charger;
FIG. 2 is an isometric back view of the new design for a
decorative device charger;
FIG. 3 is a front view of the decorative device charger;
FIG. 4 is a back view of the decorative device charger;
FIG. 5 is a left side view of the decorative device charger;
FIG. 6 is a right side view of the decorative device charger;
FIG. 7 is a top view of the decorative device charger; and,
FIG. 8 is a bottom view of the decorative device charger.
The dashed lines are for illustration purposes only, and form
no part of the claimed design.

1 Claim, 4 Drawing Sheets



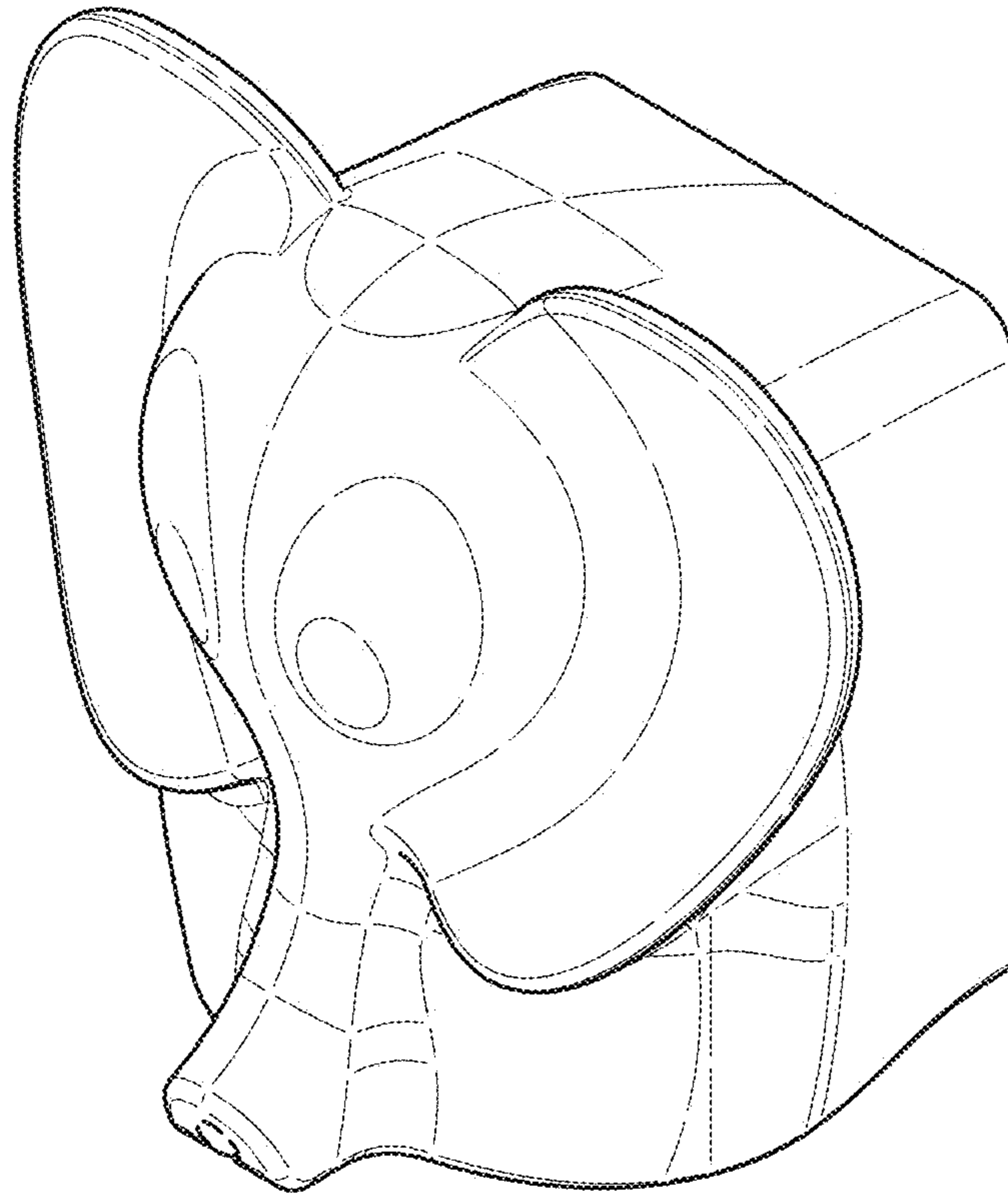


FIG. 1

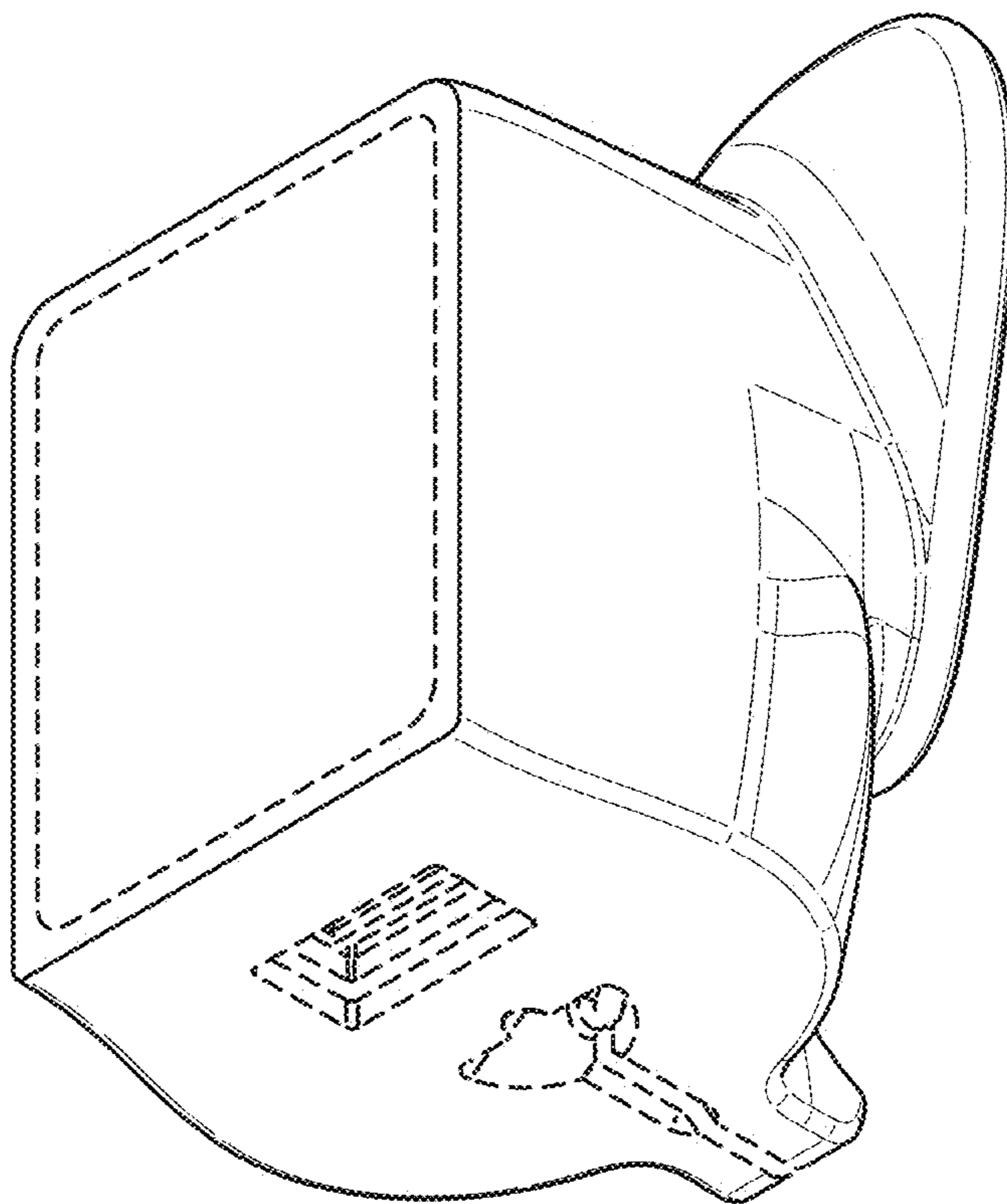


FIG. 2

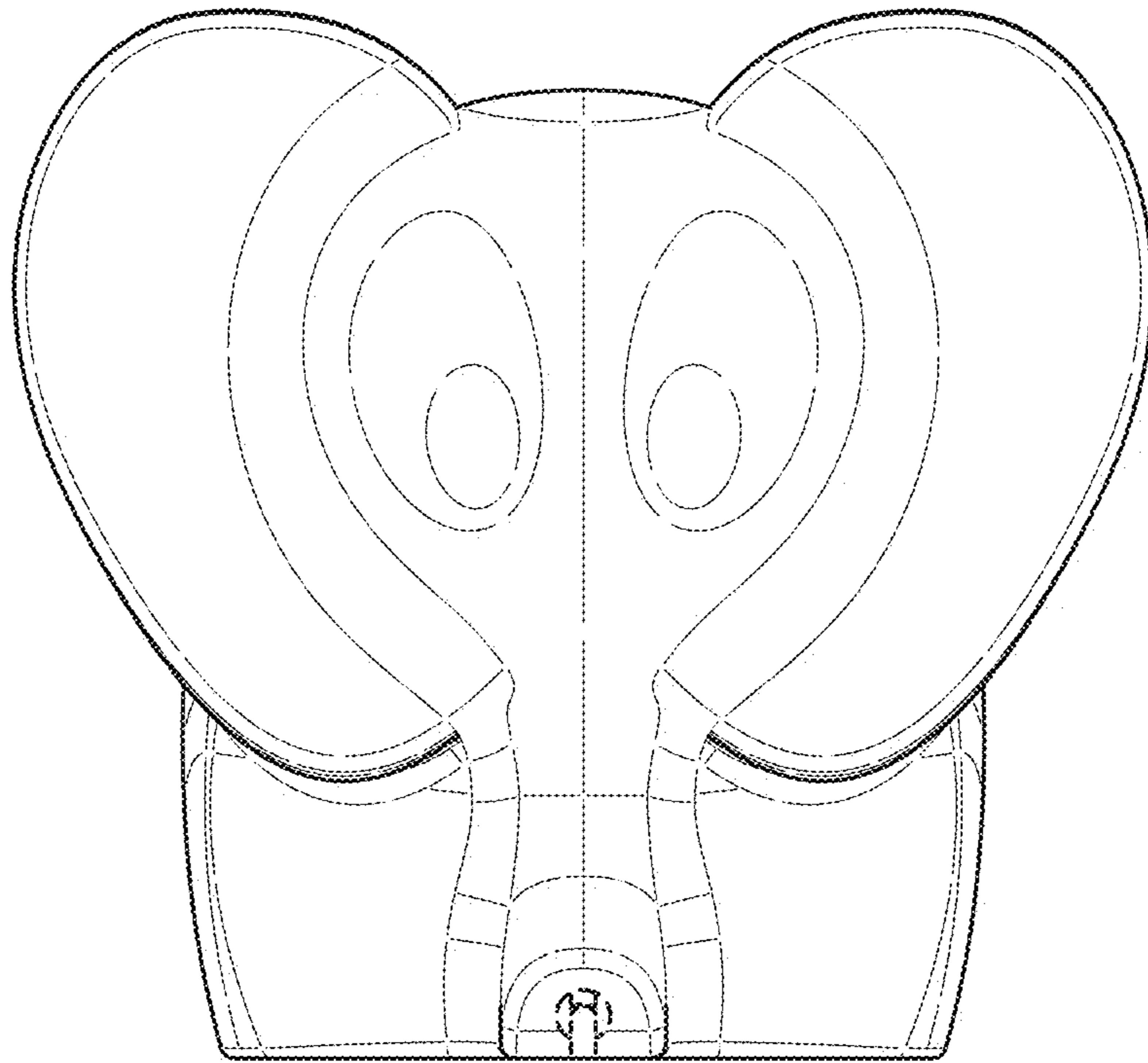


FIG. 3

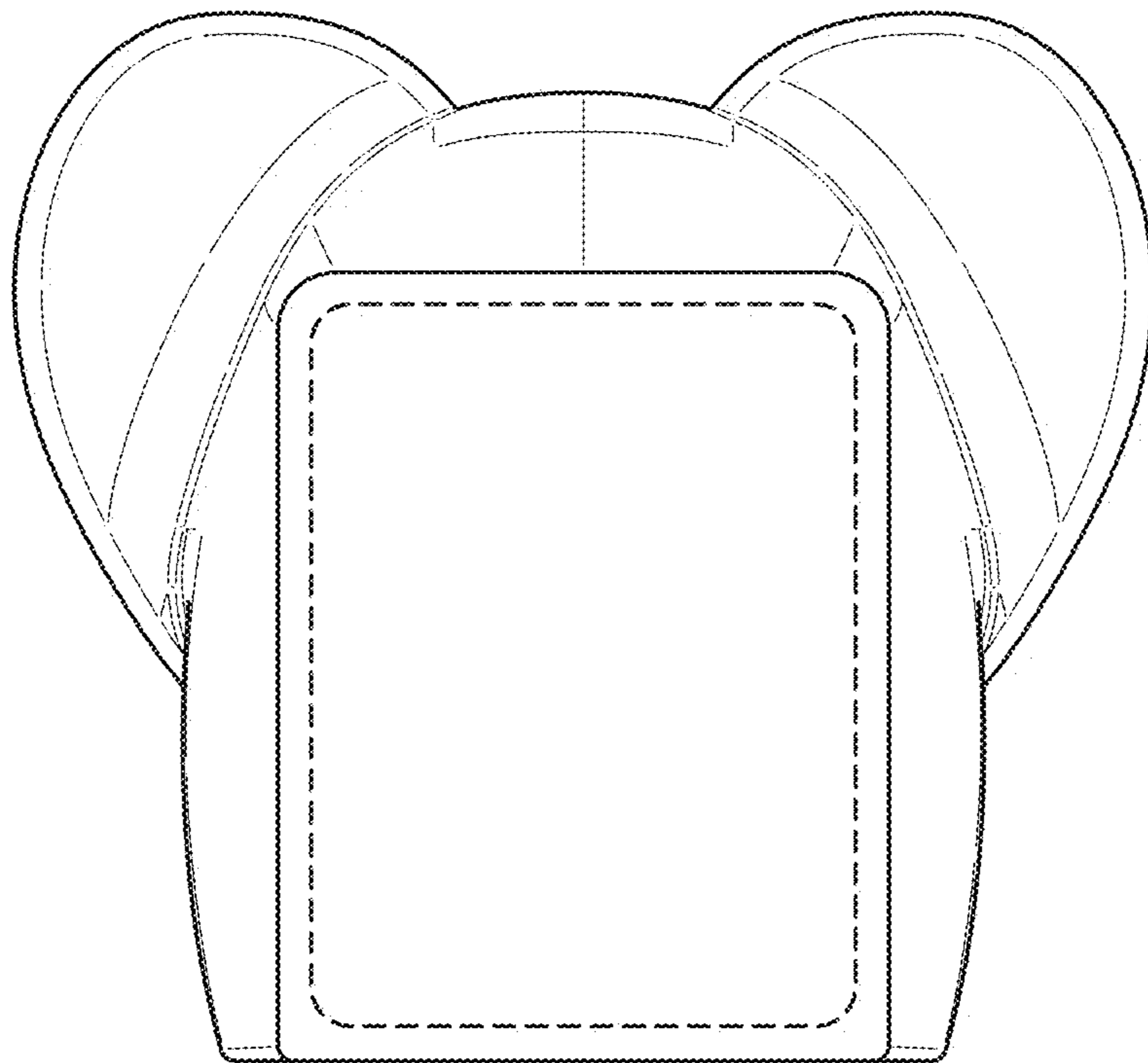


FIG. 4

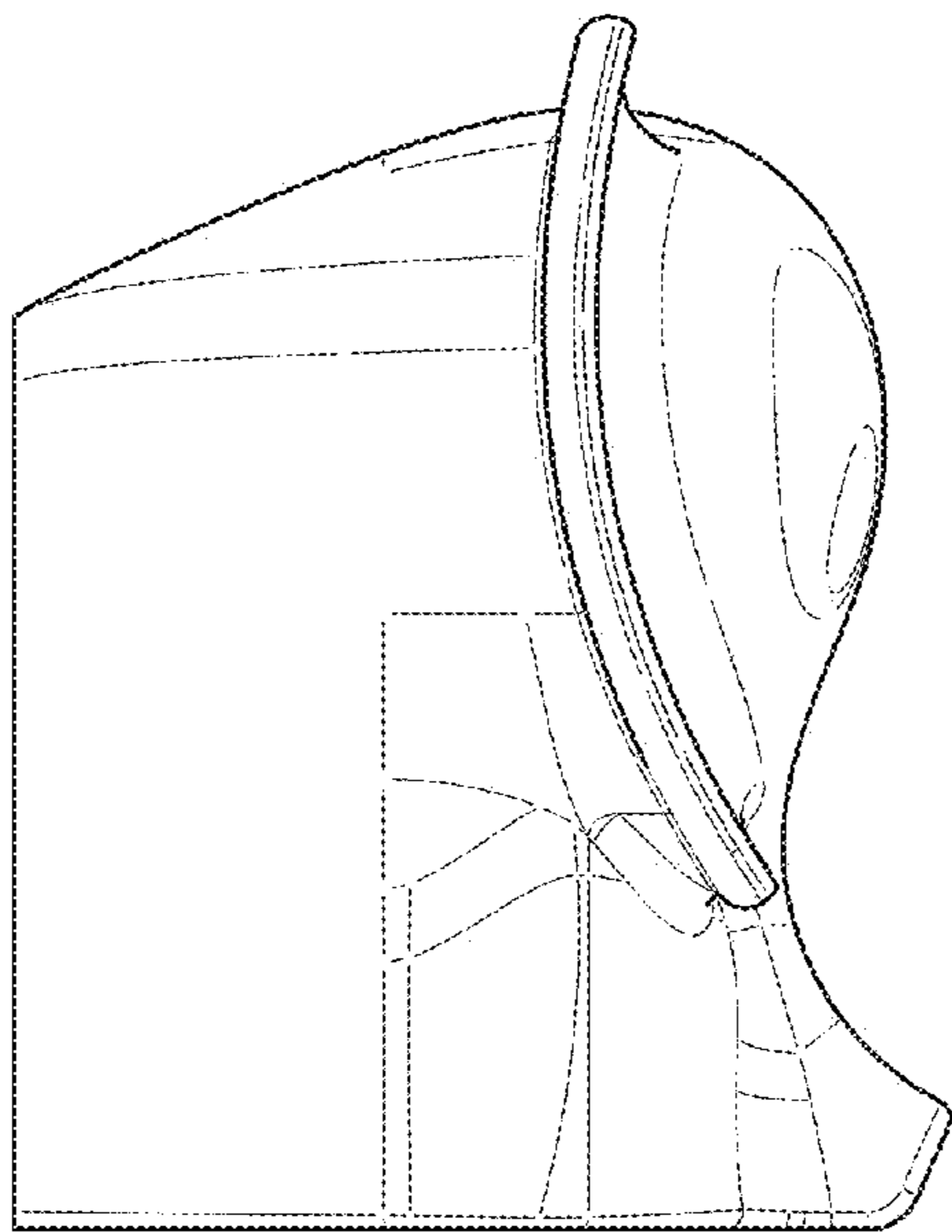


FIG. 5

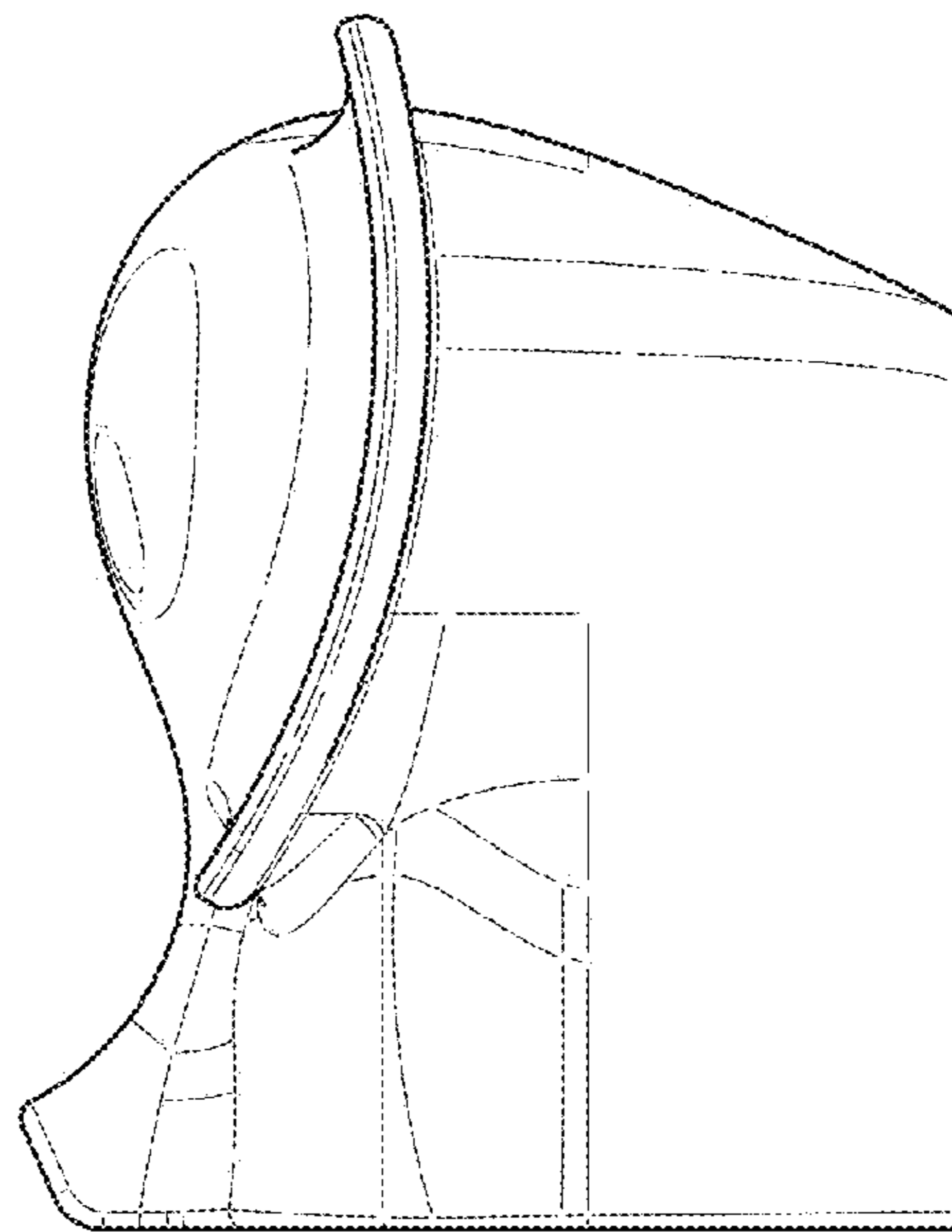


FIG. 6

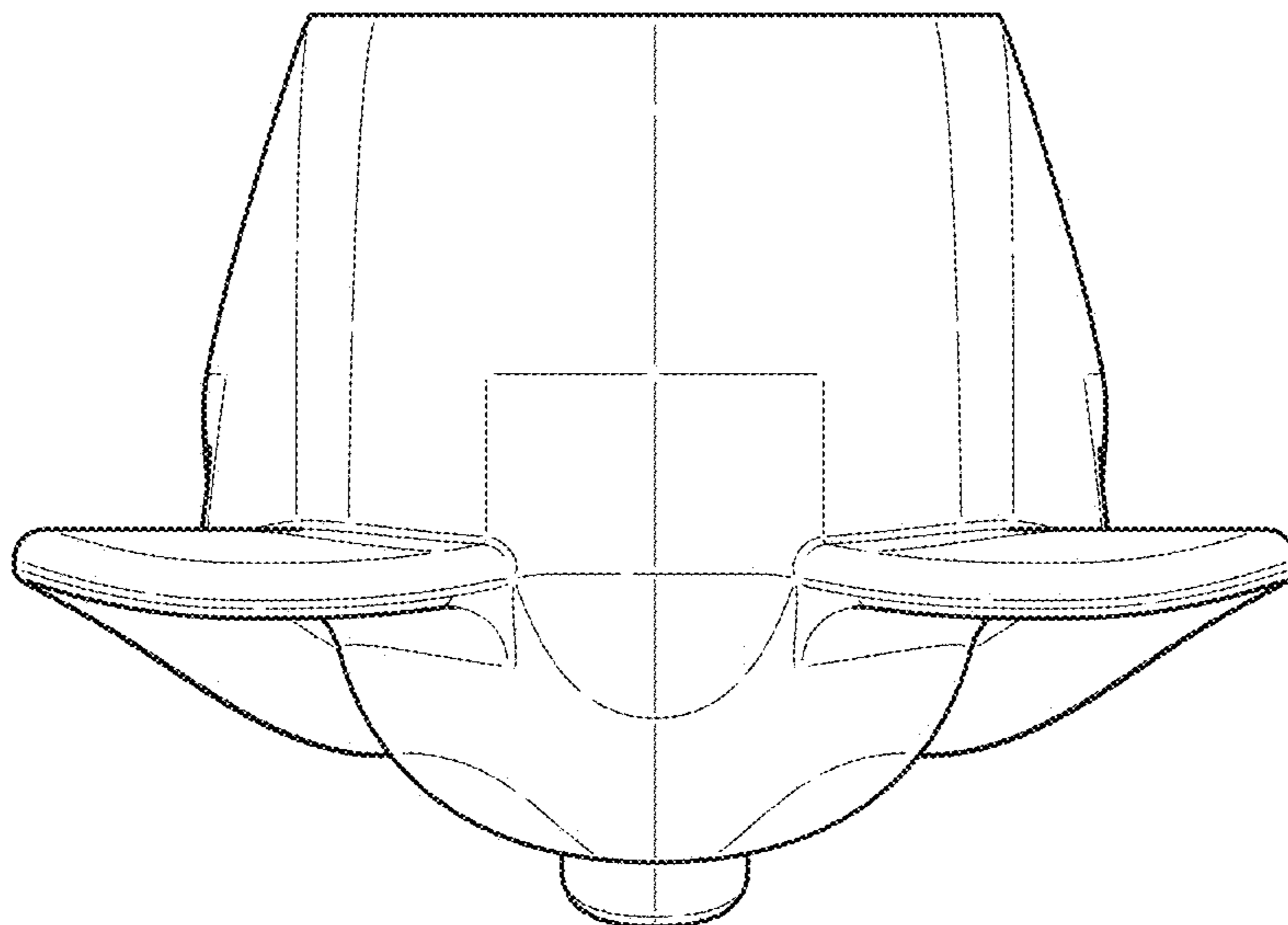


FIG. 7

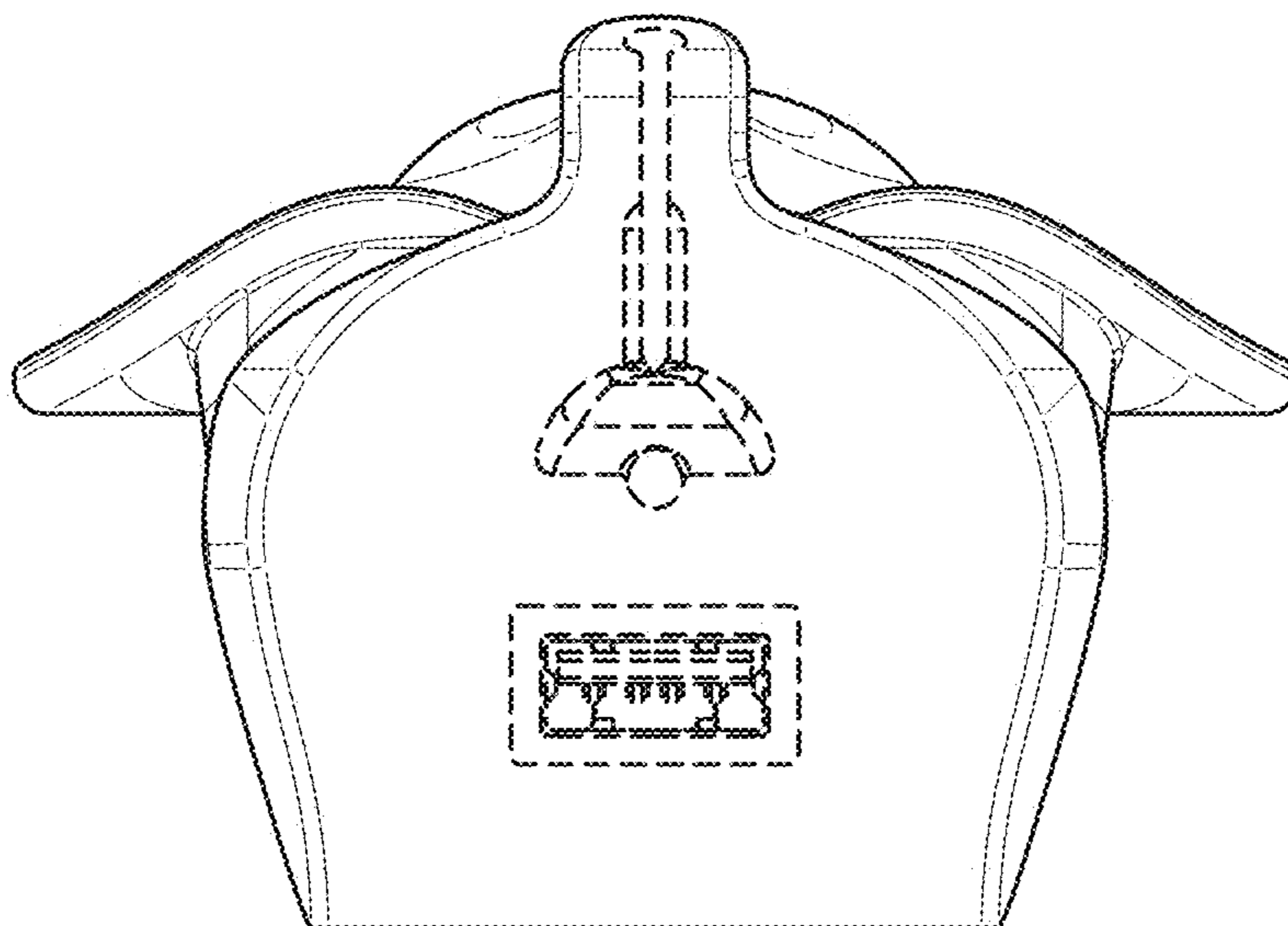


FIG. 8