



US00D758963S

(12) **United States Design Patent**  
**Lebel et al.**

(10) **Patent No.:** **US D758,963 S**  
(45) **Date of Patent:** **\*\* Jun. 14, 2016**

- (54) **PORTABLE BATTERY PACK WITH FACE**
- (71) Applicant: **Revision Military S.a.r.l.**, Luxembourg (LU)
- (72) Inventors: **Stephane Lebel**, St-Redempteur (CA);  
**Marie-Pierre Gendron**, Mercier (CA)
- (73) Assignee: **Revision Military S.a.r.l.**, Luxembourg (LU)
- (\*\*) Term: **14 Years**
- (21) Appl. No.: **29/504,442**
- (22) Filed: **Oct. 6, 2014**
- (51) **LOC (10) Cl.** ..... **13-02**
- (52) **U.S. Cl.**  
USPC ..... **D13/103**
- (58) **Field of Classification Search**  
USPC ..... D13/102-110, 118, 119, 184, 199;  
D14/137; 429/96-100, 163, 176  
CPC ..... Y02E 60/12; Y02E 60/122; Y02E 60/124;  
Y02E 60/176; H01M 2/02; H01M 2/022;  
H01M 2/0202; H01M 2/0207; H01M 2/0212;  
H01M 2/1061; H01M 2/1022; H01M 2/1055;  
H01M 2/1066; H01M 2/105; H01M 2/204;  
H01M 10/4257; H01M 10/0436; H01M 10/48  
See application file for complete search history.

(56) **References Cited**

**U.S. PATENT DOCUMENTS**

D436,918 S *	1/2001	Matsuda	.....	D13/110
D505,915 S *	6/2005	Hussaini	.....	D13/110
D588,535 S *	3/2009	Krieger	.....	D13/103
D595,647 S *	7/2009	Shum	.....	D13/110
D603,855 S *	11/2009	Nuovo	.....	D13/103
D617,267 S *	6/2010	Li	.....	D13/107
D654,021 S *	2/2012	Sweeney	.....	D13/110
D654,854 S *	2/2012	Inskeep	.....	D13/107
D654,855 S *	2/2012	Inskeep	.....	D13/107

D680,950 S *	4/2013	Nam	.....	D13/103
D681,550 S *	5/2013	Corbin	.....	D13/103
D695,681 S *	12/2013	Nam	.....	D13/103
D699,671 S *	2/2014	Walz	.....	D13/103
D701,490 S *	3/2014	Inskeep	.....	D13/110
D705,721 S *	5/2014	Huang	.....	D13/103
D726,356 S *	4/2015	Windom	.....	D13/103

**OTHER PUBLICATIONS**

Photive BOLT 9000mAh Rugged and Water Resistant Portable External Battery Charger, posted at Amazon.com posting date not given, 2015, [online], [site visited Nov. 24, 2015]. Available from Internet: <URL: [http://www.amazon.com/gp/product/B00KQ1IVTO/ref=s9\\_simh\\_gw\\_p107\\_d0\\_i3?pf\\_rd\\_m=ATVPDKIKX0DER&pf\\_rd\\_s=desktop-1&pf\\_rd\\_r=1PA0MW201GN7N2WH26AD&pf\\_rd\\_t=3](http://www.amazon.com/gp/product/B00KQ1IVTO/ref=s9_simh_gw_p107_d0_i3?pf_rd_m=ATVPDKIKX0DER&pf_rd_s=desktop-1&pf_rd_r=1PA0MW201GN7N2WH26AD&pf_rd_t=3)>.

(Continued)

*Primary Examiner* — Karen S Acker

*Assistant Examiner* — Carmen Arellano-Lado

(74) *Attorney, Agent, or Firm* — MU Patents; Timothy Marc Shropshire

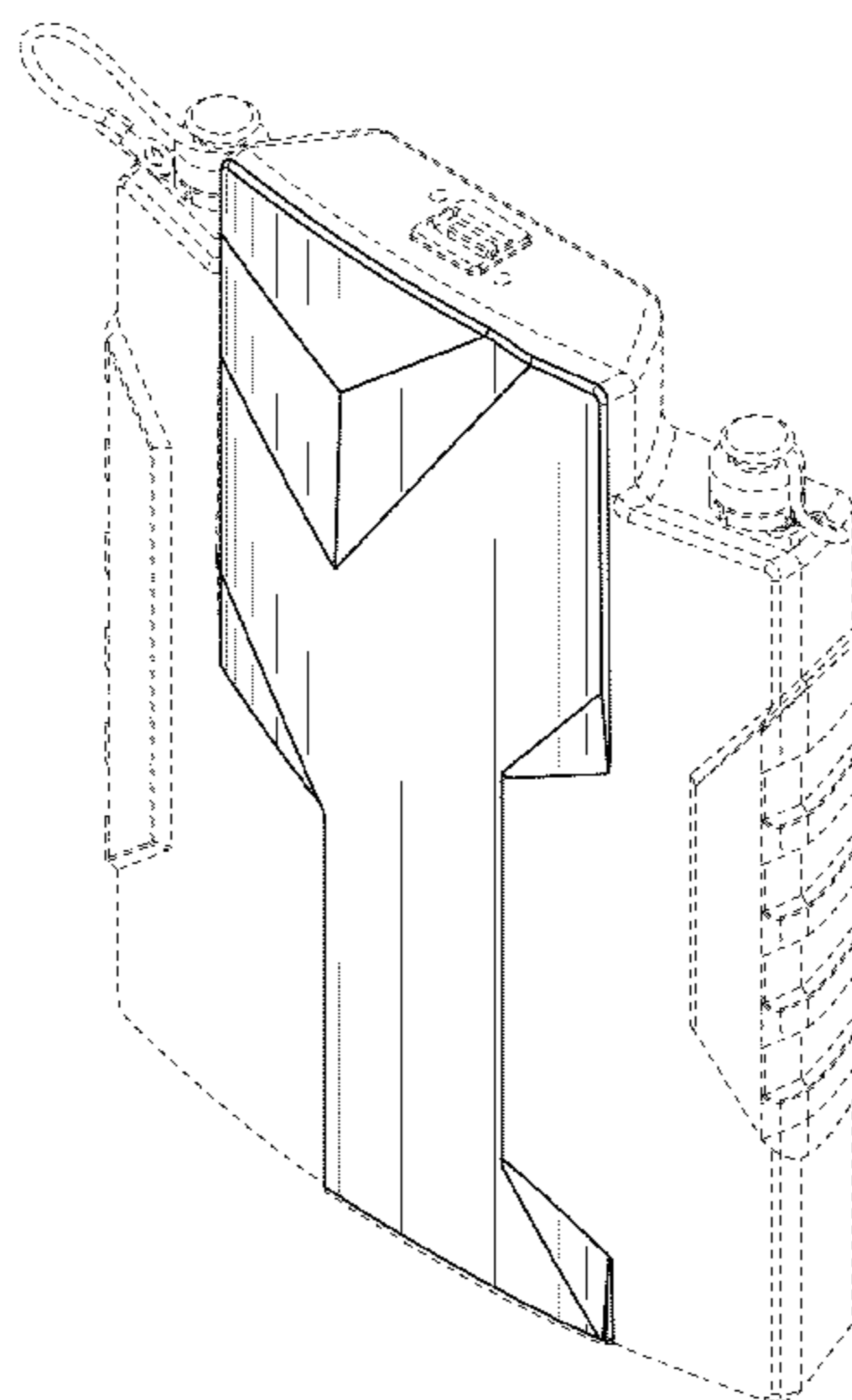
(57) **CLAIM**

The ornamental design for a portable battery pack with face, as shown and described.

**DESCRIPTION**

FIG. 1 is a rear perspective view of a portable battery pack with face showing our new design;  
FIG. 2 is a front perspective view thereof;  
FIG. 3 is a front elevational view thereof;  
FIG. 4 is a rear elevational view thereof;  
FIG. 5 is a top plan view thereof;  
FIG. 6 is a bottom plan view thereof;  
FIG. 7 is a left side elevational view thereof; and,  
FIG. 8 is a right side elevational view thereof.  
The broken lines depict environmental subject matter that is not included in the claim.

**1 Claim, 8 Drawing Sheets**



(56)

**References Cited**

OTHER PUBLICATIONS

SadoTech 10400mAh Dual USB Portable Charger for All USB Devices, posted at Amazon.com posting date not given, 2015, [online], [site visited Nov. 24, 2015]. Available from Internet <URL:

[http://www.amazon.com/SadoTech-Weatherproof-Shockproof-MIL-STD-810G-Thunderbolt/dp/B00IK21AOA/ref=sr\\_1\\_5?s=electronics&ie=UTF8&qid=1448379812&sr=1-5&keywords=sadote.>](http://www.amazon.com/SadoTech-Weatherproof-Shockproof-MIL-STD-810G-Thunderbolt/dp/B00IK21AOA/ref=sr_1_5?s=electronics&ie=UTF8&qid=1448379812&sr=1-5&keywords=sadote.>)\*

\* cited by examiner

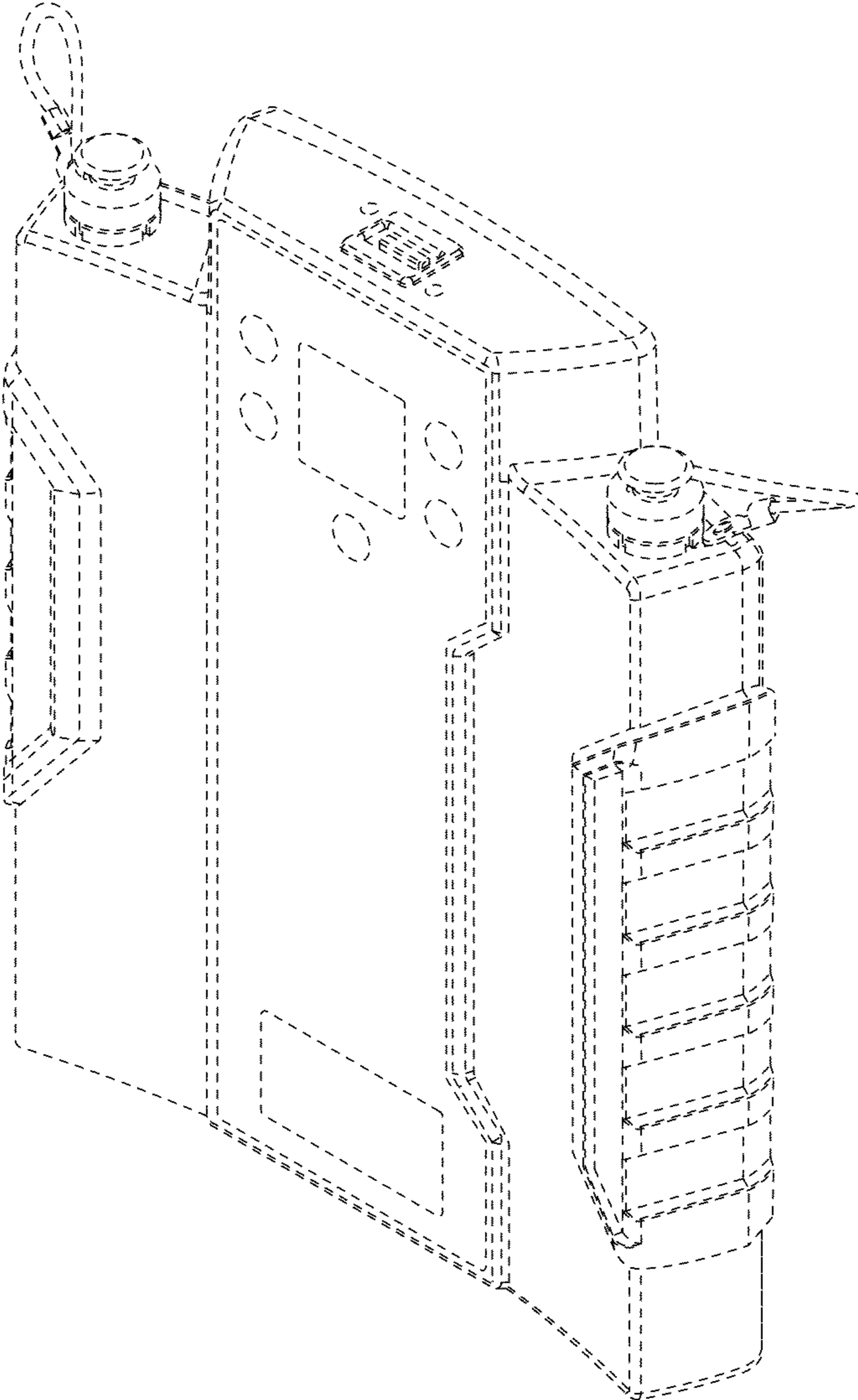


FIG. 1

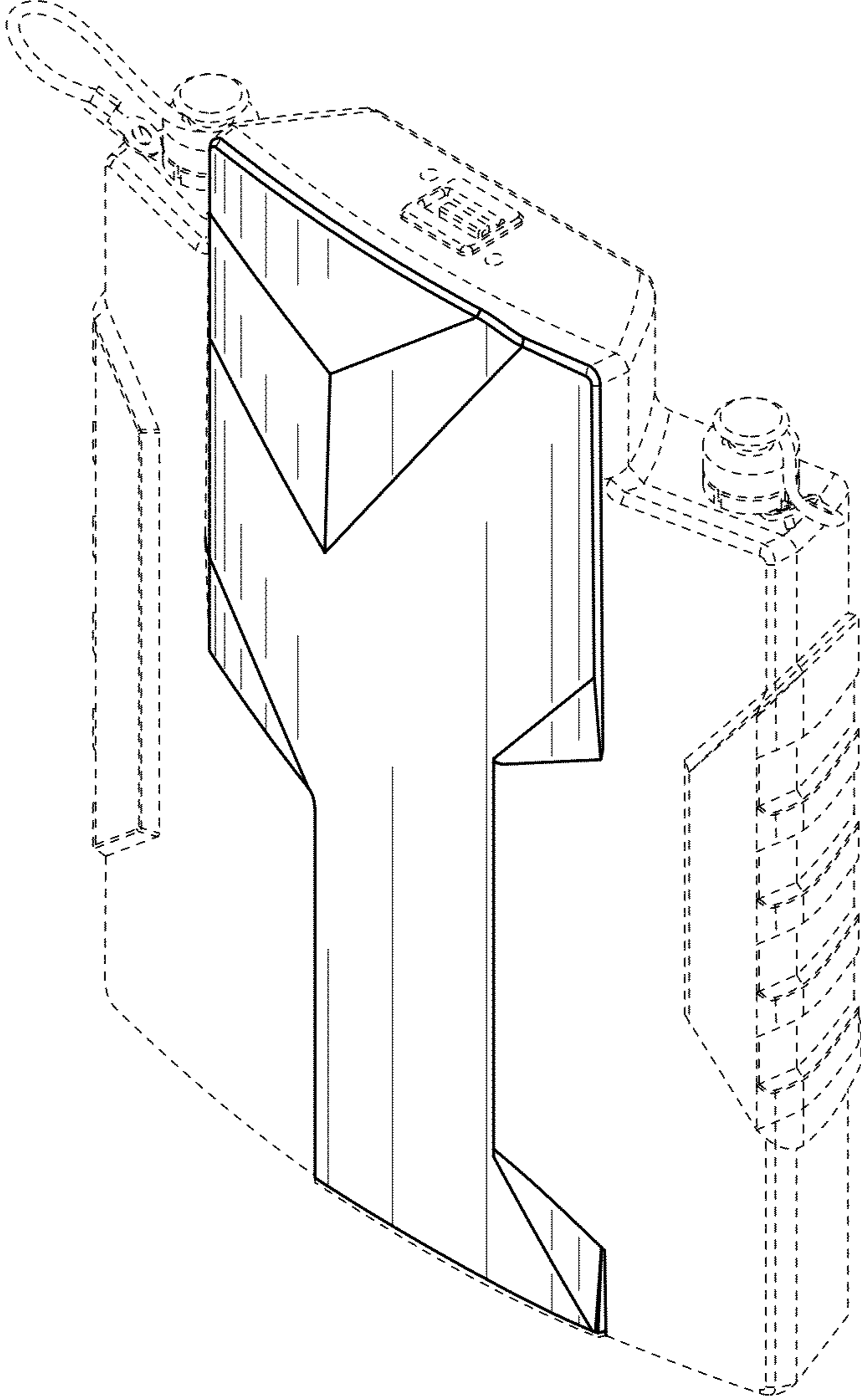


FIG. 2

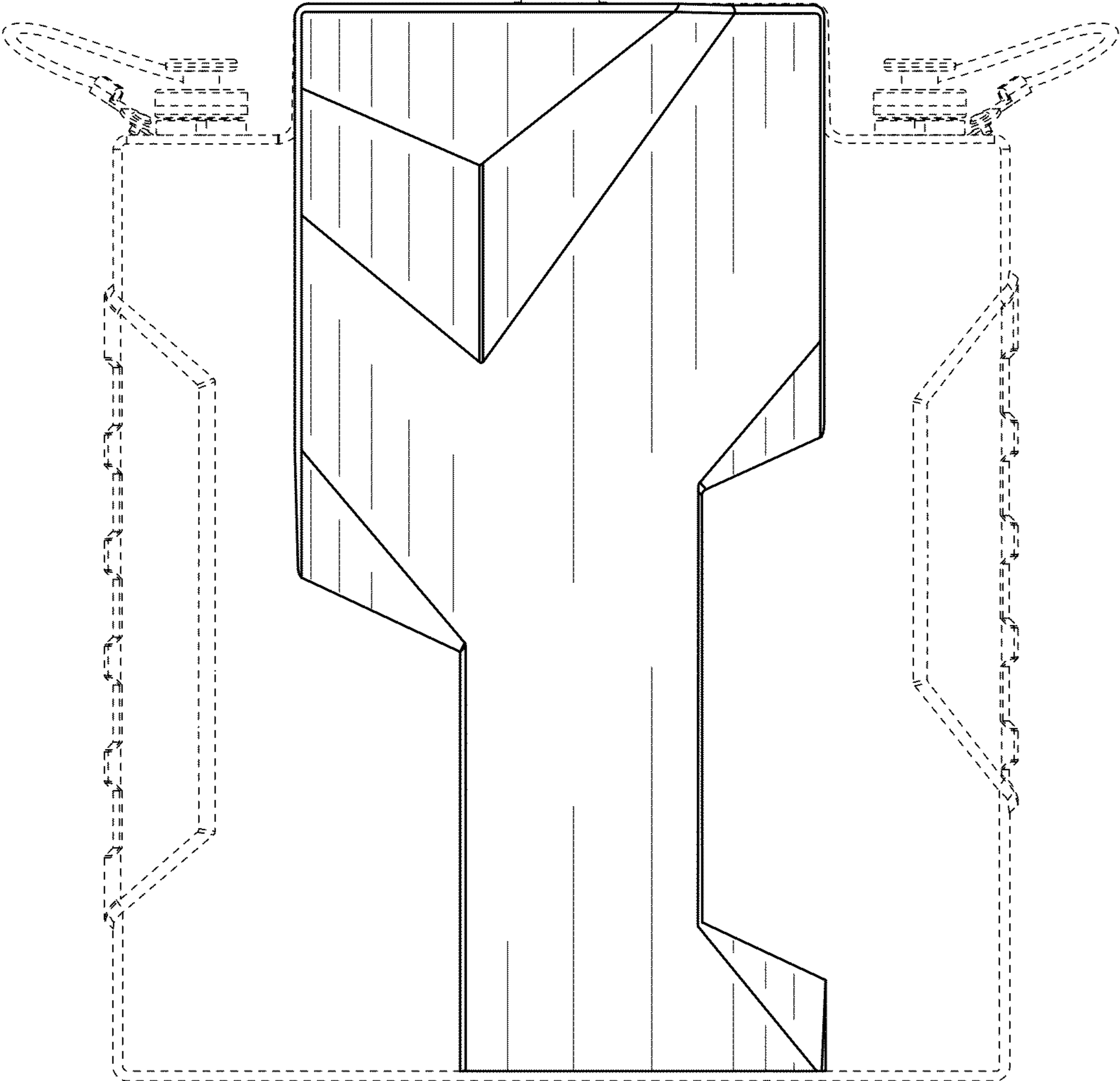


FIG. 3

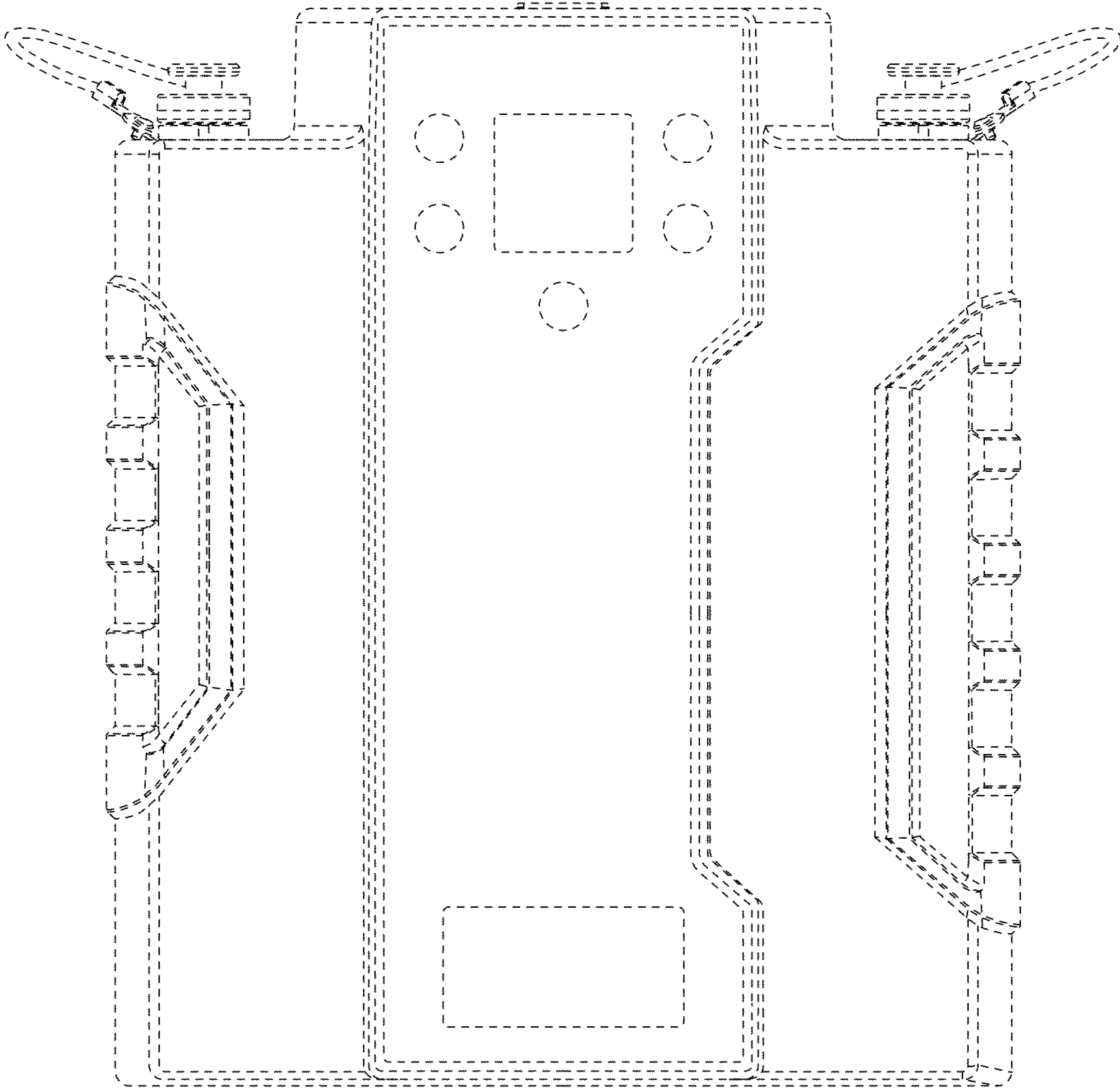


FIG. 4

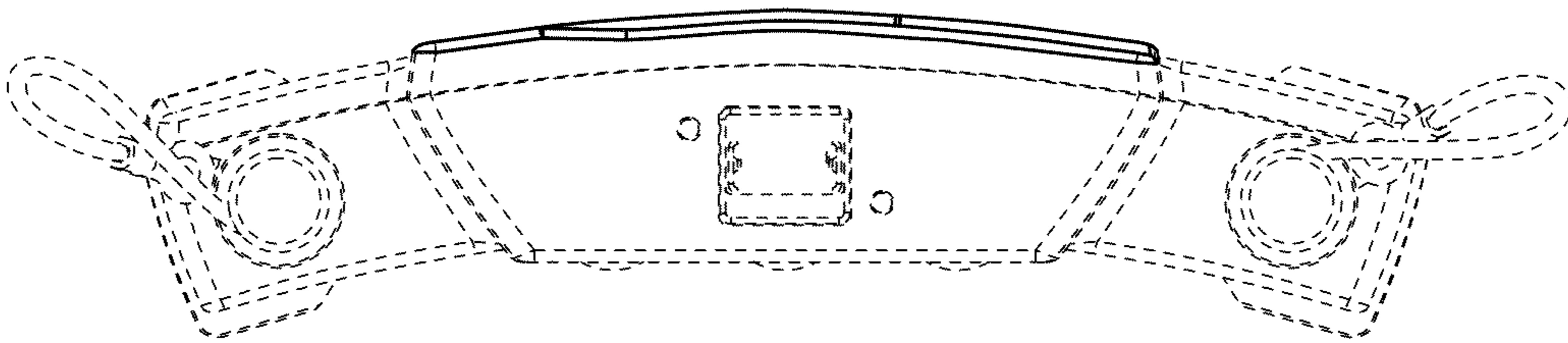


FIG. 5

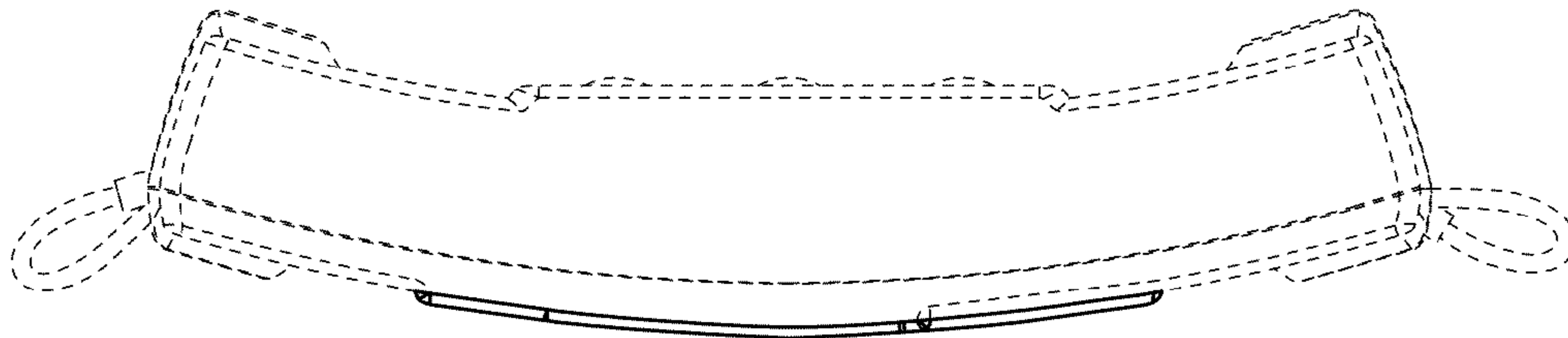


FIG. 6



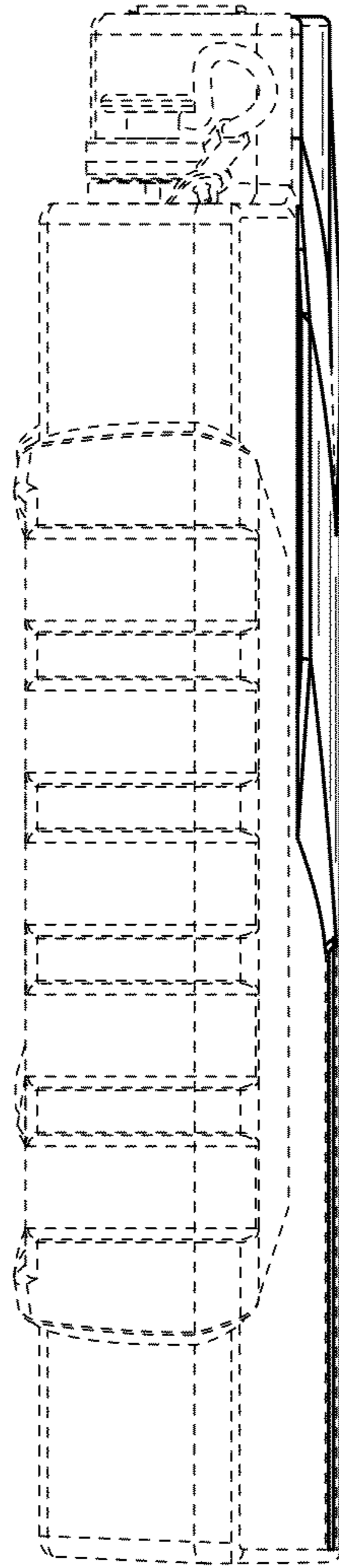


FIG. 7

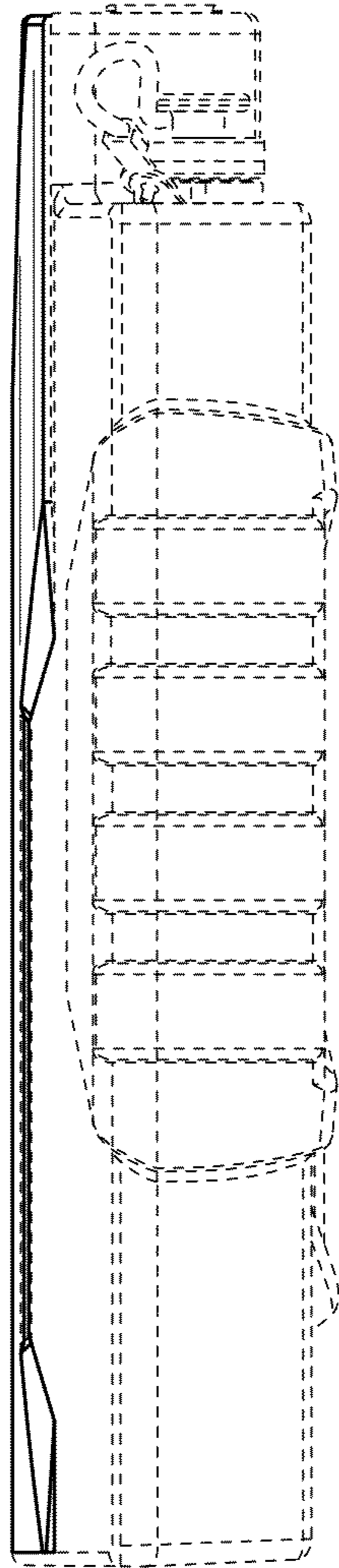


FIG. 8