



US00D758961S

(12) **United States Design Patent**
Aoyagi et al.

(10) **Patent No.:** **US D758,961 S**
(45) **Date of Patent:** **** Jun. 14, 2016**

(54) **BATTERY FOR ELECTRONIC DEVICE**

(71) Applicant: **Apple Inc.**, Cupertino, CA (US)
(72) Inventors: **Shota Aoyagi**, San Francisco, CA (US);
Eric Wesley Bates, Sunnyvale, CA (US);
Richard Besen, New York, NY (US);
Richard P. Howarth, San Francisco, CA
(US); **Scott A. Myers**, San Francisco,
CA (US); **David A. Pakula**, San
Francisco, CA (US); **Gregory Nicolaus
Stephens**, Sunnyvale, CA (US)

(73) Assignee: **Apple Inc.**, Cupertino, CA (US)

(**) Term: **14 Years**

(21) Appl. No.: **29/501,048**

(22) Filed: **Aug. 29, 2014**

(51) **LOC (10) Cl.** **13-02**

(52) **U.S. Cl.**
USPC **D13/103**

(58) **Field of Classification Search**
USPC D13/103, 102, 110, 118, 119, 120, 121,
D13/184; 429/100, 153, 158, 163, 176, 180,
429/185; D14/432; 29/623.1, 623.5;
315/291; 156/221; 235/380, 479, 486,
235/492

See application file for complete search history.

(56) **References Cited**

U.S. PATENT DOCUMENTS

| | | |
|--------------|---------|--------------|
| 5,326,651 A | 7/1994 | Mehta et al. |
| D477,275 S | 7/2003 | Wada |
| D485,530 S | 1/2004 | Ogasawara |
| D519,919 S | 5/2006 | Yokota |
| D532,363 S | 11/2006 | Morisawa |
| D535,249 S | 1/2007 | Ogasawara |
| D538,225 S | 3/2007 | Lyman et al. |
| 7,595,129 B2 | 9/2009 | Kato |
| D625,263 S | 10/2010 | Takuma |

(Continued)

FOREIGN PATENT DOCUMENTS

JP D1470109 * 11/2012

OTHER PUBLICATIONS

“Original iPhone 6 Battery Replacement.” Retrieved Oct. 9, 2015.
iPhonefix UK. <http://www.iphonefixuk.co.uk/products/original-iphone-6-battery-replacement>.*

(Continued)

Primary Examiner — Manpreet Matharu

Assistant Examiner — Suzanne Tisdell

(74) *Attorney, Agent, or Firm* — Sterne, Kessler, Goldstein
& Fox P.L.L.C.

(57) **CLAIM**

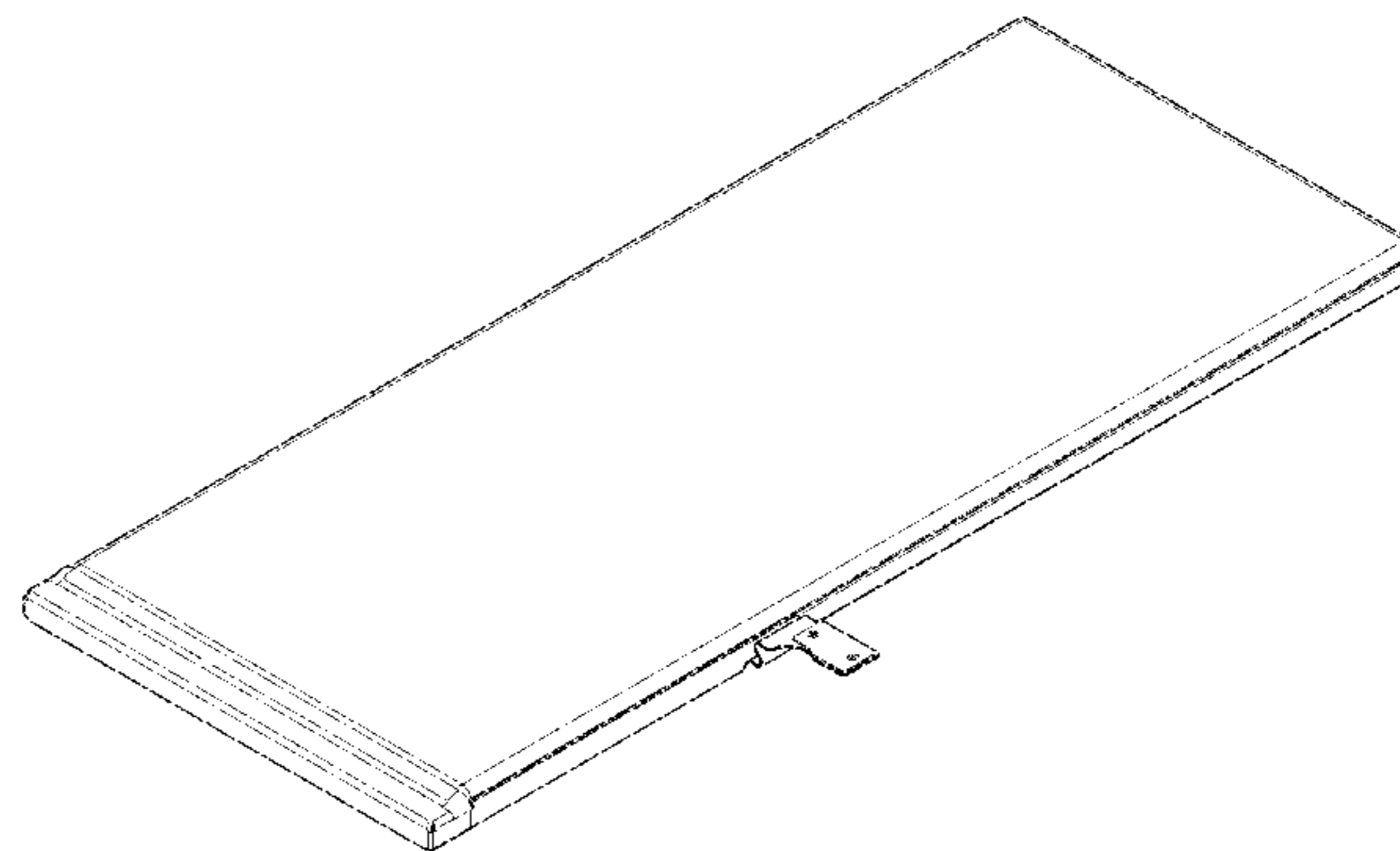
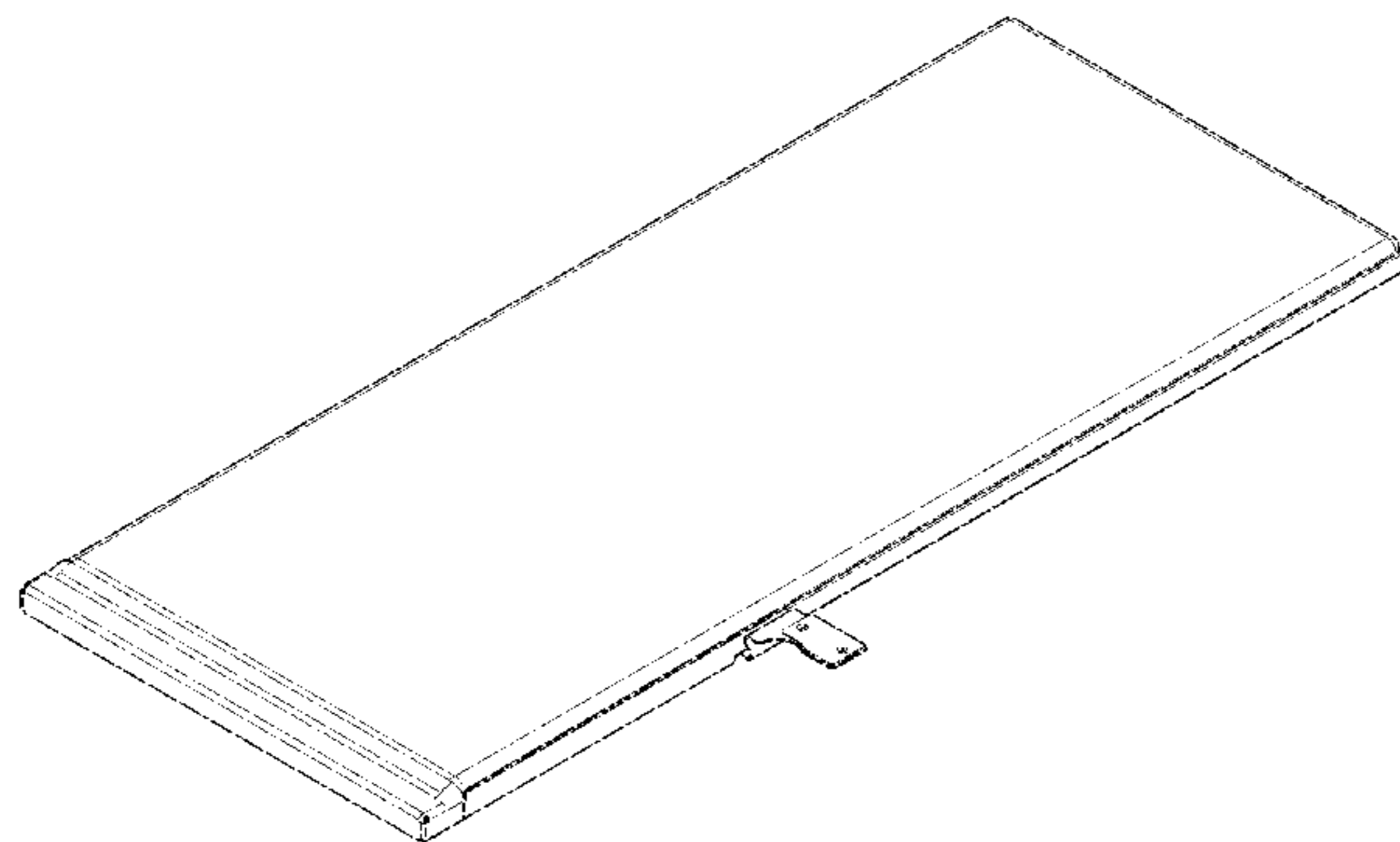
The ornamental design for a battery for electronic device, as shown and described.

DESCRIPTION

FIG. 1 is a front perspective view of a battery for electronic device showing our new design;
FIG. 2 is a front view thereof;
FIG. 3 is a rear view thereof;
FIG. 4 is a left side view thereof;
FIG. 5 is a right side view thereof;
FIG. 6 is a top view thereof;
FIG. 7 is a bottom view thereof;
FIG. 8 is a front perspective view of another embodiment of a battery for electronic device showing our new design;
FIG. 9 is a front view thereof;
FIG. 10 is a rear view thereof;
FIG. 11 is a left side view thereof;
FIG. 12 is a right side view thereof;
FIG. 13 is a top view thereof; and,
FIG. 14 is a bottom view thereof.

The broken lines in the figures show portions of the battery for electronic device that form no part of the claimed design.

1 Claim, 14 Drawing Sheets



(56)

References Cited

U.S. PATENT DOCUMENTS

D637,157 S 5/2011 Andre et al.
 D637,193 S 5/2011 Andre et al.
 D653,611 S 2/2012 Lee et al.
 D658,583 S 5/2012 Andre et al.
 8,309,245 B2 11/2012 Coish et al.
 D672,713 S 12/2012 Masui
 D677,620 S 3/2013 Corbin et al.
 D684,531 S 6/2013 Moon et al.
 D685,731 S 7/2013 Brown et al.
 D689,018 S 9/2013 Honda et al.
 D692,823 S 11/2013 Tanaka
 D696,186 S * 12/2013 Kannou et al. D13/102
 D697,479 S * 1/2014 Andre et al. D13/119
 D700,137 S * 2/2014 Ashida et al. D13/103
 D704,625 S * 5/2014 Tsutsumi et al. D13/103
 D708,128 S 7/2014 Andre et al.
 D708,269 S * 7/2014 Moore et al. D20/27
 D709,026 S * 7/2014 Lee et al. D13/103
 D709,440 S * 7/2014 Kwon et al. D13/103
 D709,441 S * 7/2014 Kwon et al. D13/103
 D709,442 S * 7/2014 Kwon et al. D13/103
 D709,443 S * 7/2014 Kwon et al. D13/103
 D709,822 S * 7/2014 Kwon et al. D13/103
 D709,823 S * 7/2014 Corley et al. D13/103
 D711,310 S * 8/2014 Sanders D13/102
 D711,311 S * 8/2014 Corbin et al. D13/103
 D712,345 S * 9/2014 Kwon et al. D13/103
 D712,346 S * 9/2014 Kwon et al. D13/103
 D712,835 S * 9/2014 Yasuda et al. D13/125
 D713,785 S * 9/2014 Tehrani D13/108
 D714,718 S * 10/2014 Loeckenhoff et al. D13/102
 D716,721 S * 11/2014 Kwon et al. D13/103
 D716,722 S * 11/2014 Kwon et al. D13/103
 D716,723 S * 11/2014 Kwon et al. D13/103

D718,753 S 12/2014 Akana et al.
 D719,085 S * 12/2014 Aoyagi et al. D13/103
 D724,014 S * 3/2015 Kwon et al. D13/103
 D724,015 S * 3/2015 Kwon et al. D13/103
 D724,016 S * 3/2015 Kwon et al. D13/103
 D724,017 S * 3/2015 Kwon et al. D13/103
 D724,019 S * 3/2015 Kwon et al. D13/103
 D724,020 S * 3/2015 Kwon et al. D13/103
 D724,021 S * 3/2015 Kwon et al. D13/103
 D724,022 S * 3/2015 Kwon et al. D13/103
 D724,528 S * 3/2015 Kwon et al. D13/103
 D724,529 S * 3/2015 Kwon et al. D13/103
 D724,530 S * 3/2015 Kwon et al. D13/103
 D724,532 S * 3/2015 Kwon et al. D13/103
 D724,533 S * 3/2015 Kwon et al. D13/103
 D729,805 S * 5/2015 Bataillou et al. D14/432
 2009/0274953 A1 * 11/2009 Myers et al. 429/100
 2014/0065474 A1 * 3/2014 Werner et al. 429/185

OTHER PUBLICATIONS

“New Original Battery for Apple iPhone 6 4.7 inch.” Retrieved Oct. 9, 2015. Hyratech.com <https://www.hyratech.com/product.php?productid=8743&cat=28644&page=1>.
 Klug, Brian. “Motorola Droid Bionic Review” Posted Oct. 11, 2011. AnandTech. <http://www.anandtech.com/show/4910/motorola-droid-bionic-review-dual-core-with-4g-lte/2>.
 Leather, Antony. “How to Replace the iPhone 5’s Battery” Posted Oct. 31, 2013. Forbes. <http://www.forbes.com/sites/antonyleather/2013/10/31/how-to-replace-the-iphone-5s-battery/>.
 Kazmucha, Allyson. “How to Replace the Battery in an iPhone 4S.” Aug. 28, 2012. iMore. <http://www.imore.com/how-diy-replace-battery-iphone-4s>.
 “iPhone 5C Teardown.” Oldest Comment Sep. 20, 2013. ifixit.com. <https://www.ifixit.com/Teardown/iPhone+5c+Teardown/17382>.

* cited by examiner

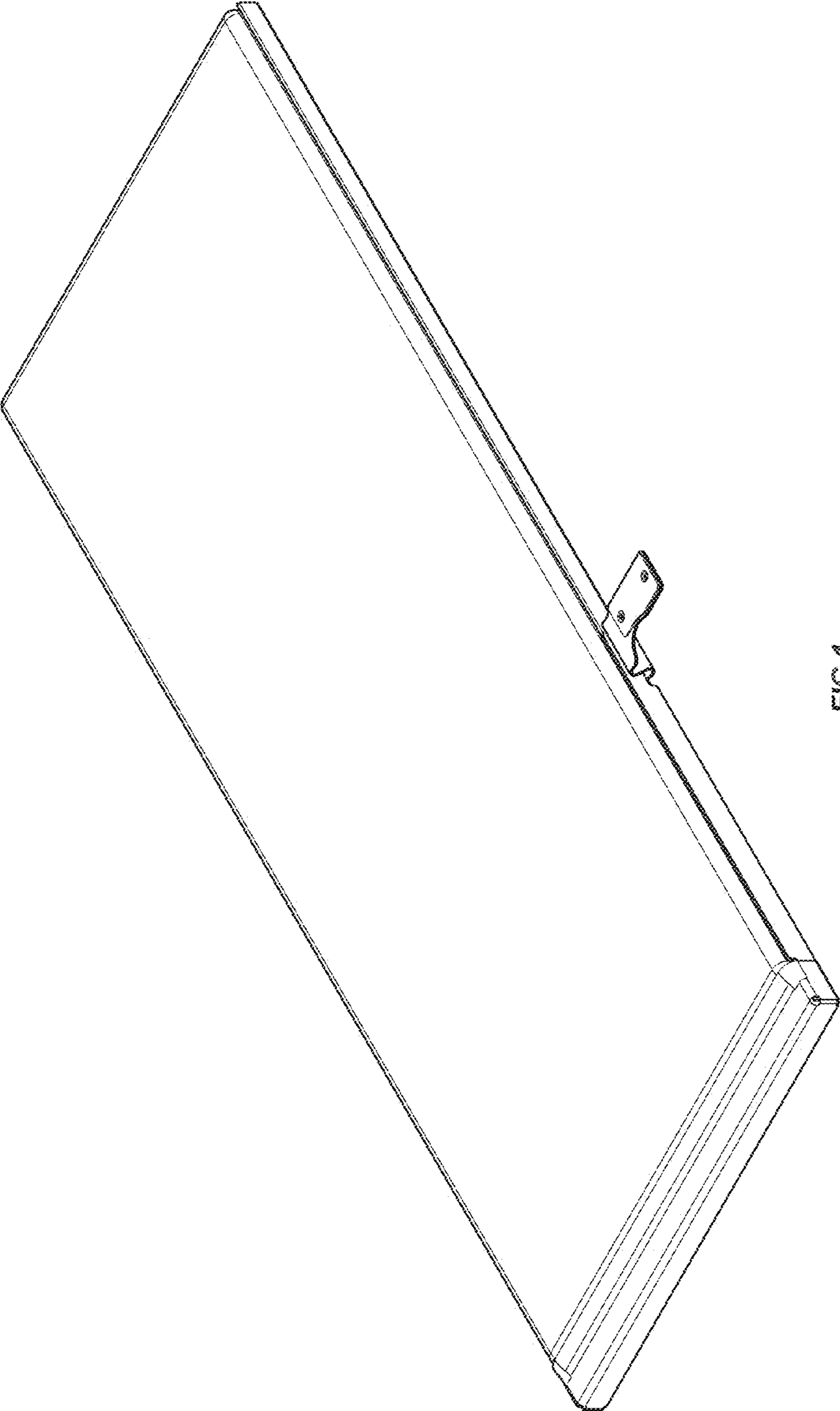


FIG. 1

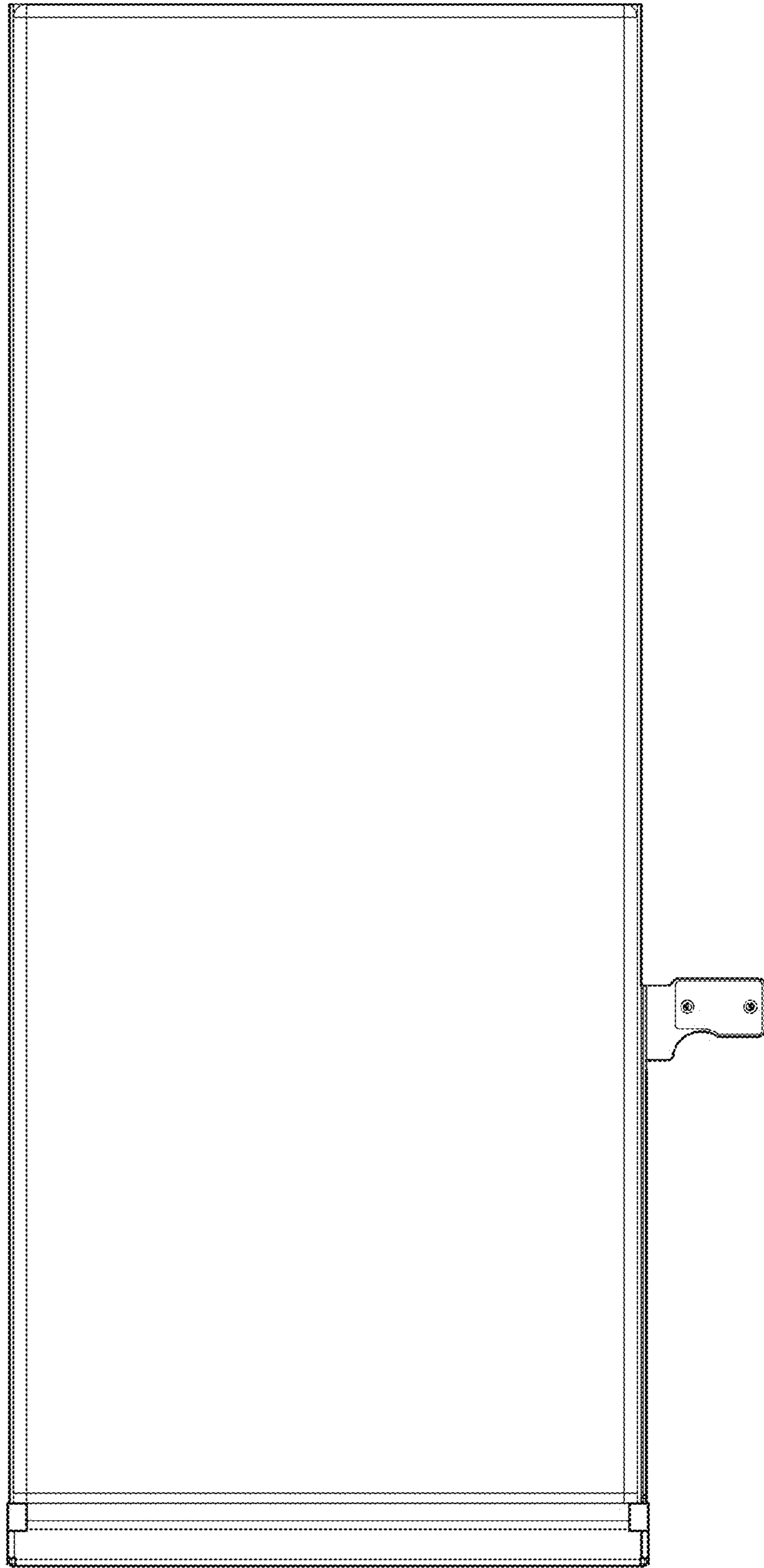


FIG. 2

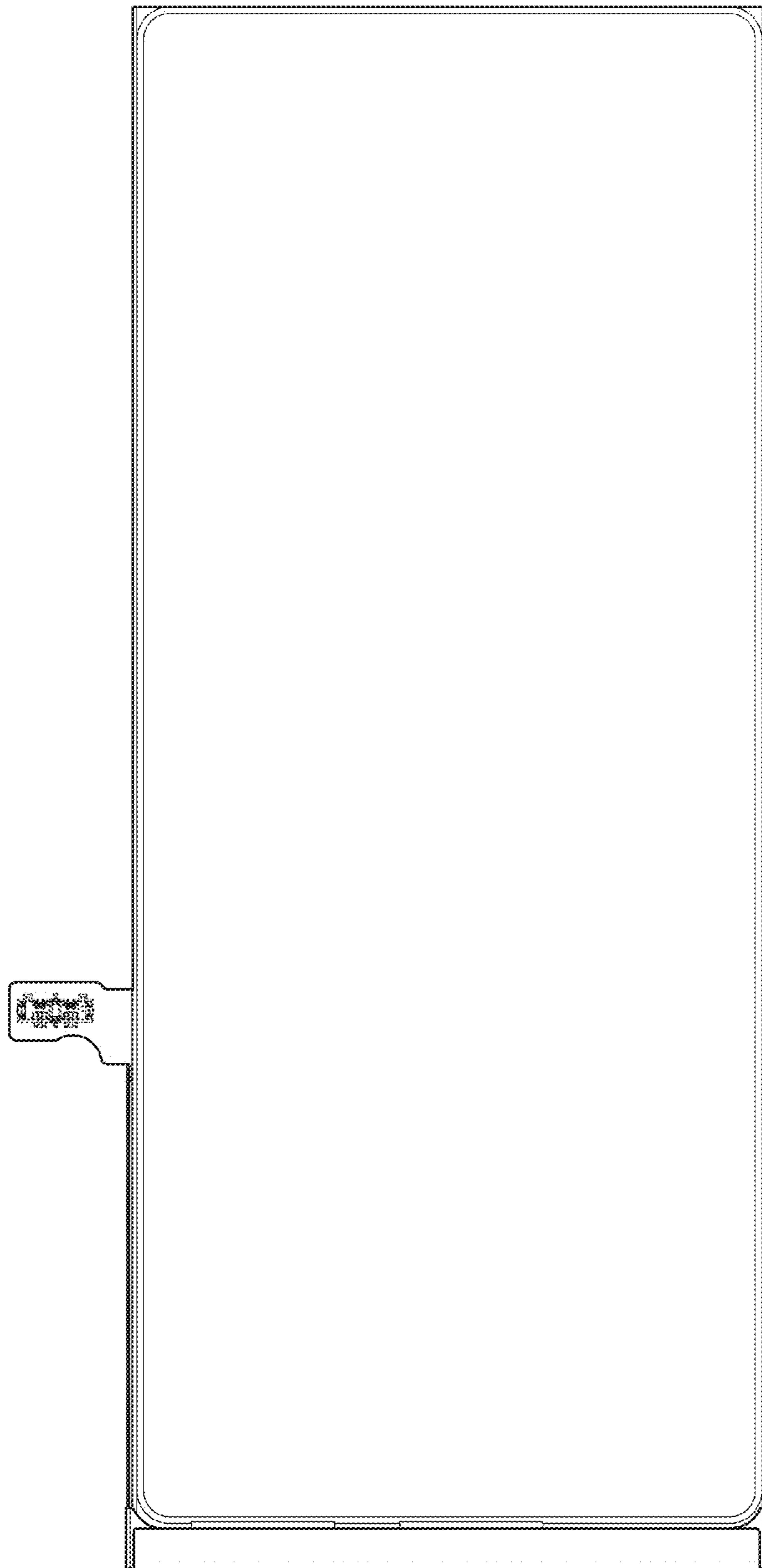


FIG. 3

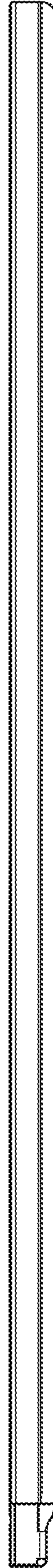


FIG.4

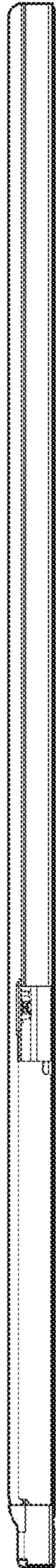


FIG.5



FIG. 6

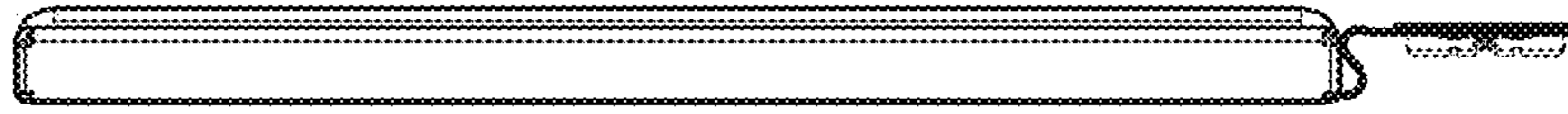


FIG.7

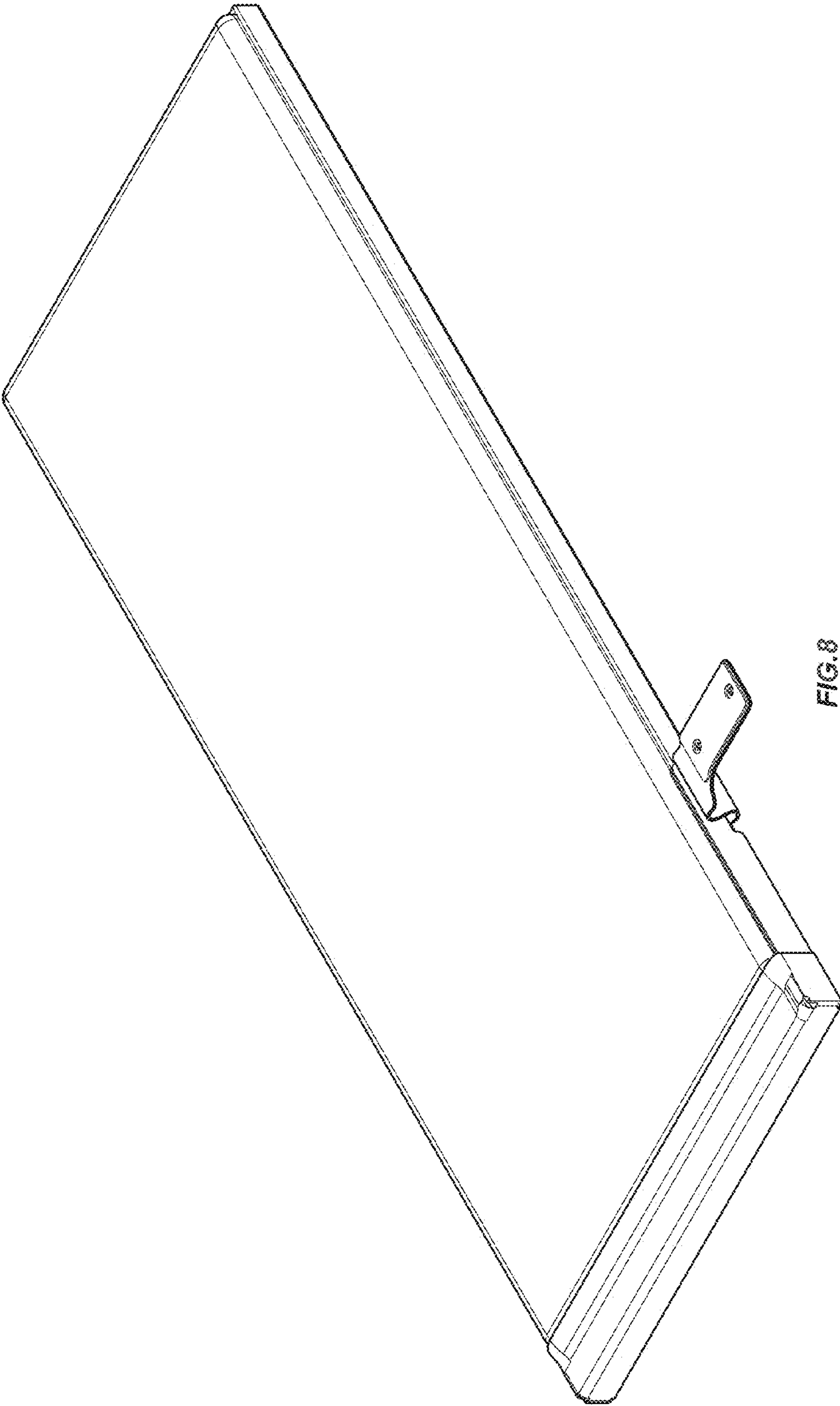


FIG. 8

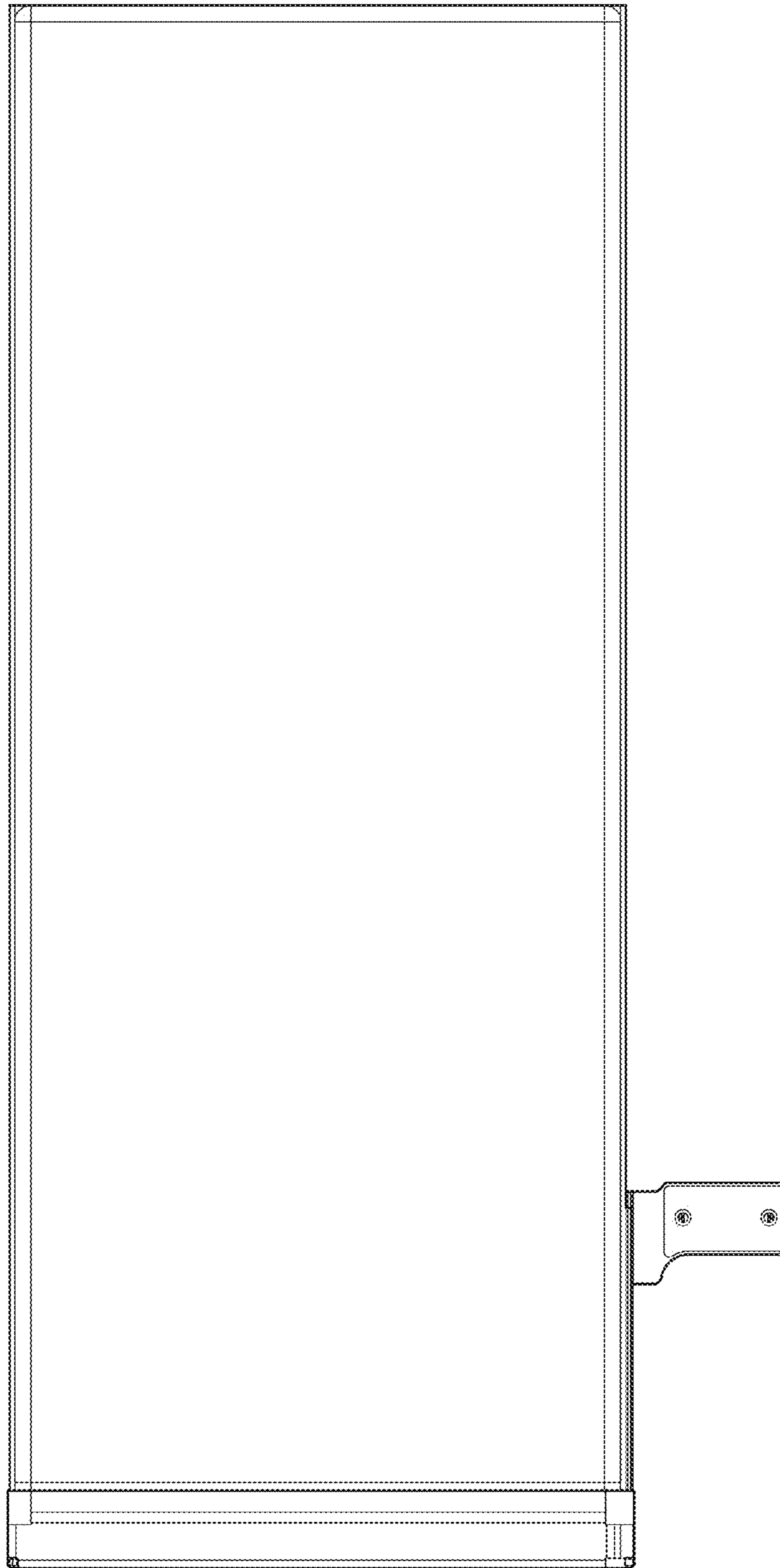


FIG. 9

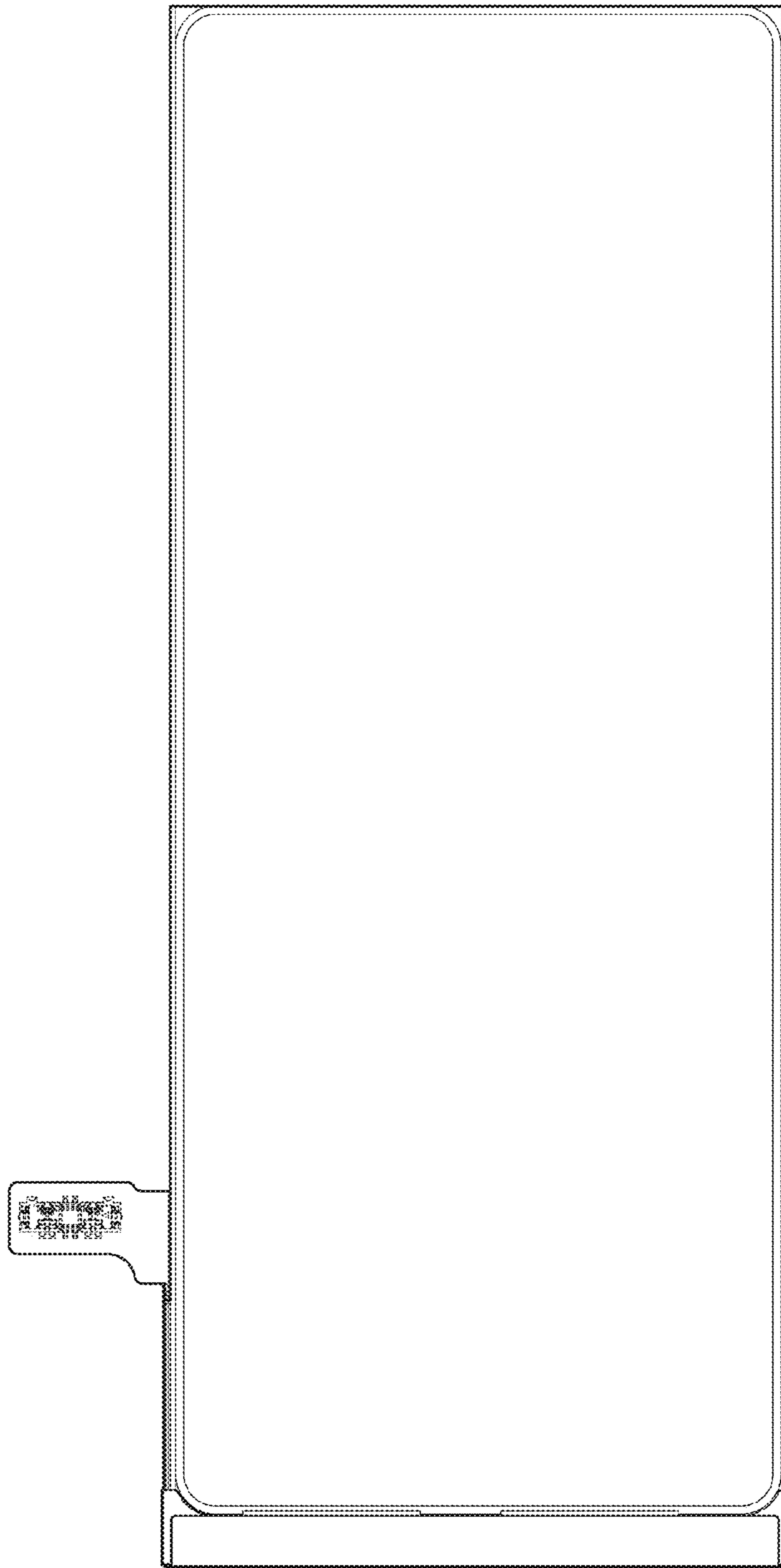


FIG. 10

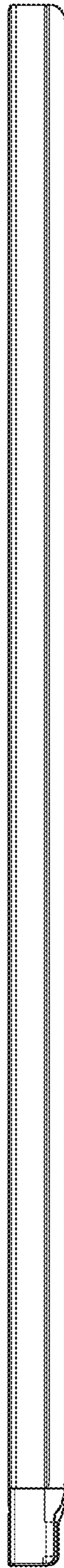


FIG. 11

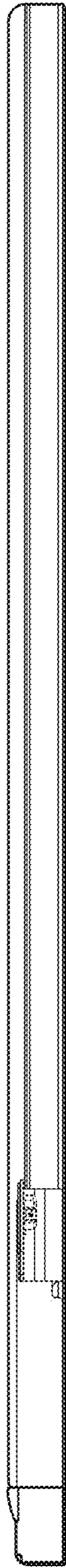


FIG.12



FIG.13



FIG.14