



US00D758959S

(12) **United States Design Patent**
Krier et al.

(10) **Patent No.:** **US D758,959 S**

(45) **Date of Patent:** **** Jun. 14, 2016**

- (54) **TIRE**
- (71) Applicant: **The Goodyear Tire & Rubber Company, Akron, OH (US)**
- (72) Inventors: **Jean-Julien Edouard Ghislain Krier, Bastogne (BE); Georges Gaston Feider, Bettborn (LU); Bernard D’Hamers, Colmar-Berg (LU); Olivier Louis Marcel Pilandon, Mersch (LU)**
- (73) Assignee: **The Goodyear Tire & Rubber Company, Akron, OH (US)**
- (**) Term: **14 Years**
- (21) Appl. No.: **29/506,741**
- (22) Filed: **Oct. 20, 2014**
- (51) **LOC (10) Cl.** **12-15**
- (52) **U.S. Cl.**
USPC **D12/600**
- (58) **Field of Classification Search**
USPC D12/568–603
CPC B60C 5/00; B60C 11/04; B60C 11/11;
B60C 11/13; B60C 11/12; B60C 2011/1213;
B60C 11/03
See application file for complete search history.

D631,002 S	1/2011	Cazin-bourguignon et al.	D12/602
D648,262 S	11/2011	Hermann et al.	D12/579
D653,199 S *	1/2012	Scheuren	D12/588
D656,088 S	3/2012	Krier et al.	D12/591
D662,457 S	6/2012	Krier et al.	D12/588
D667,364 S	9/2012	Krier et al.	D12/586
D678,831 S	3/2013	Hermann et al.	D12/579
D686,565 S	7/2013	Maus et al.	D12/588
D700,885 S	3/2014	Le et al.	D12/588
D710,295 S *	8/2014	Bortolet	D12/601

* cited by examiner

Primary Examiner — George D Kirschbaum

Assistant Examiner — Jennifer Watkins

(74) *Attorney, Agent, or Firm* — Robert N. Lipschik

(57) **CLAIM**

The ornamental design for a tire, as shown and described.

DESCRIPTION

FIG. 1 is a perspective view of a tire showing our new design, it being understood that the pattern repeats uniformly throughout the circumference of the tread;

FIG. 2 is a front elevational view thereof;

FIG. 3 is a right side elevational view thereof; the opposite side elevational view being identical thereto;

FIG. 4 is an enlarged fragmentary front elevational view thereof;

FIG. 5 is a perspective view of a second embodiment of a tire showing our new design, it being understood that the pattern repeats uniformly throughout the circumference of the tread and that the opposite side view is identical thereto; and,

FIG. 6 is a front elevational view of a second embodiment, it being understood that an enlarged fragmentary view thereof would be substantially identical to that shown in FIG. 4, with the exception of the inclusion of the sidewall in solid lines.

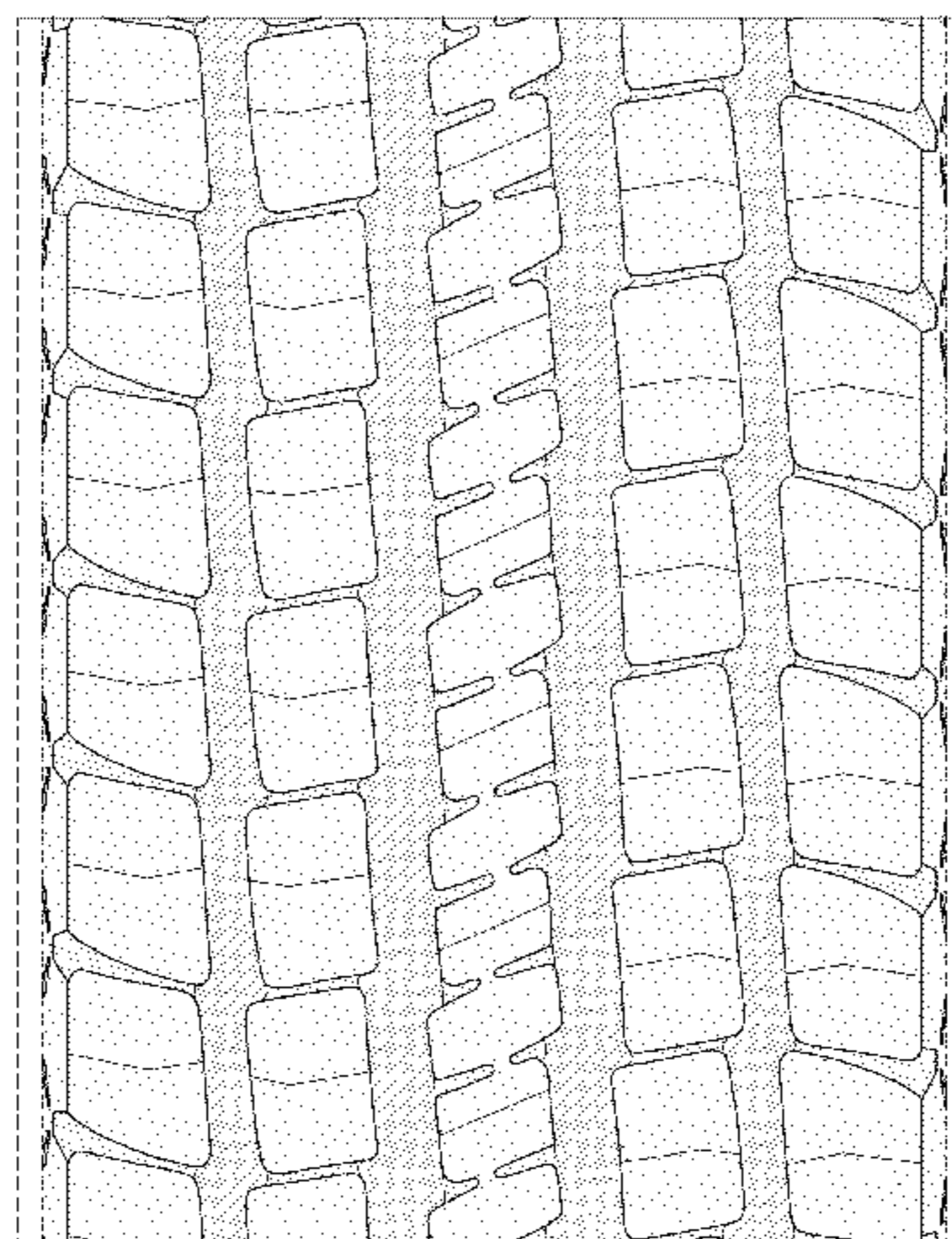
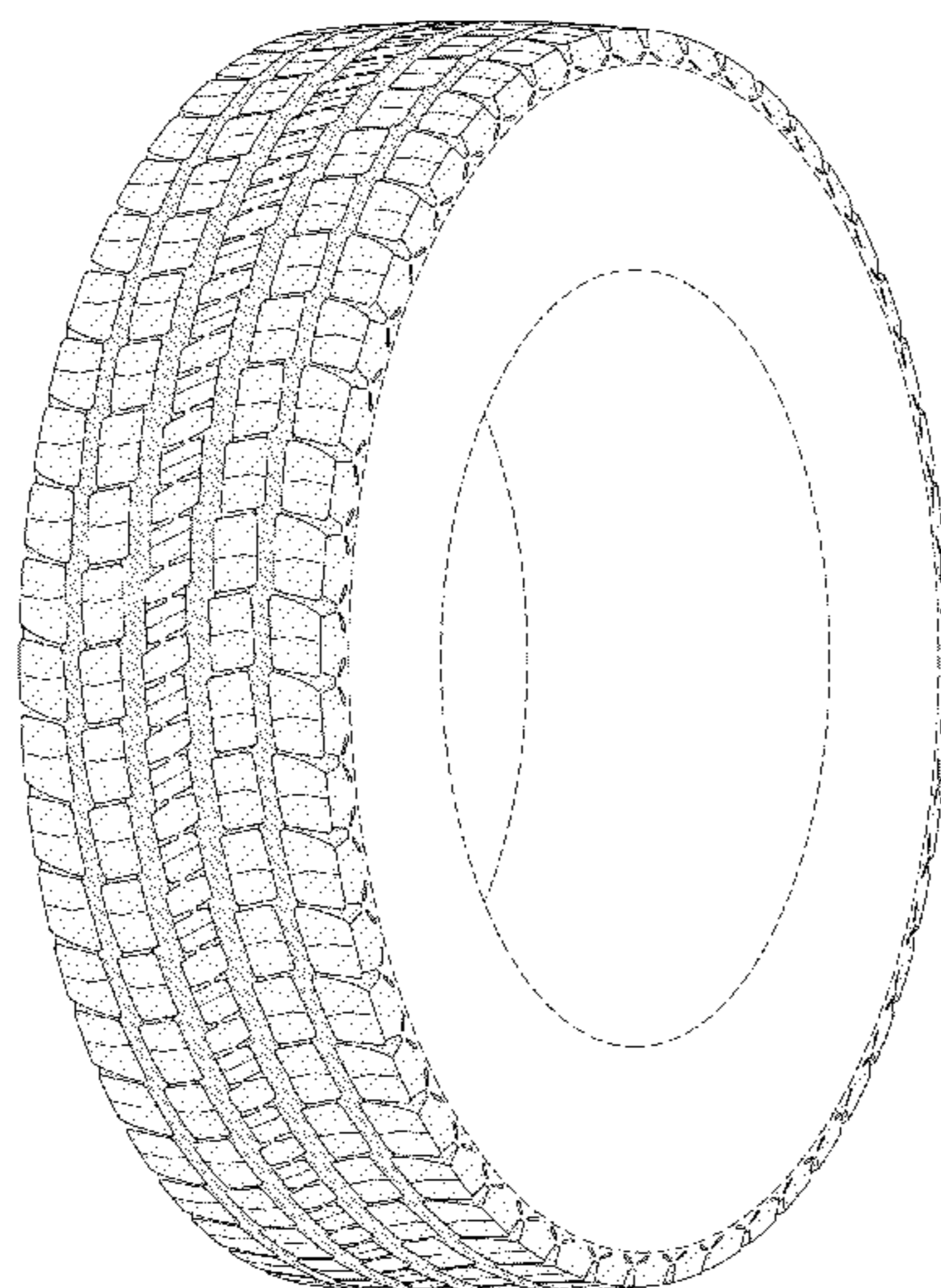
In the drawings, the broken lines showing of the sidewall, inner bead and the peripheral boundary between the tire tread and the sidewall in FIGS. 1 through 4 depict environmental subject matter and form no part of the claimed design.

1 Claim, 6 Drawing Sheets

(56) **References Cited**

U.S. PATENT DOCUMENTS

D317,741 S *	6/1991	Kuroda	D12/601
D448,707 S	10/2001	Maziarka et al.	D12/147
D473,513 S	4/2003	Welbes	D12/588
D554,055 S	10/2007	Beauguitte et al.	D12/600
D586,730 S	2/2009	Scheuren et al.	D12/553
D592,590 S	5/2009	Janesh et al.	D12/600
D601,488 S	10/2009	Maus et al.	D12/600
D619,081 S	7/2010	Nicolas et al.	D12/571
D627,713 S	11/2010	Le et al.	D12/600
D628,955 S	12/2010	Toumni et al.	D12/588
D631,000 S *	1/2011	Yonetsu	D12/600



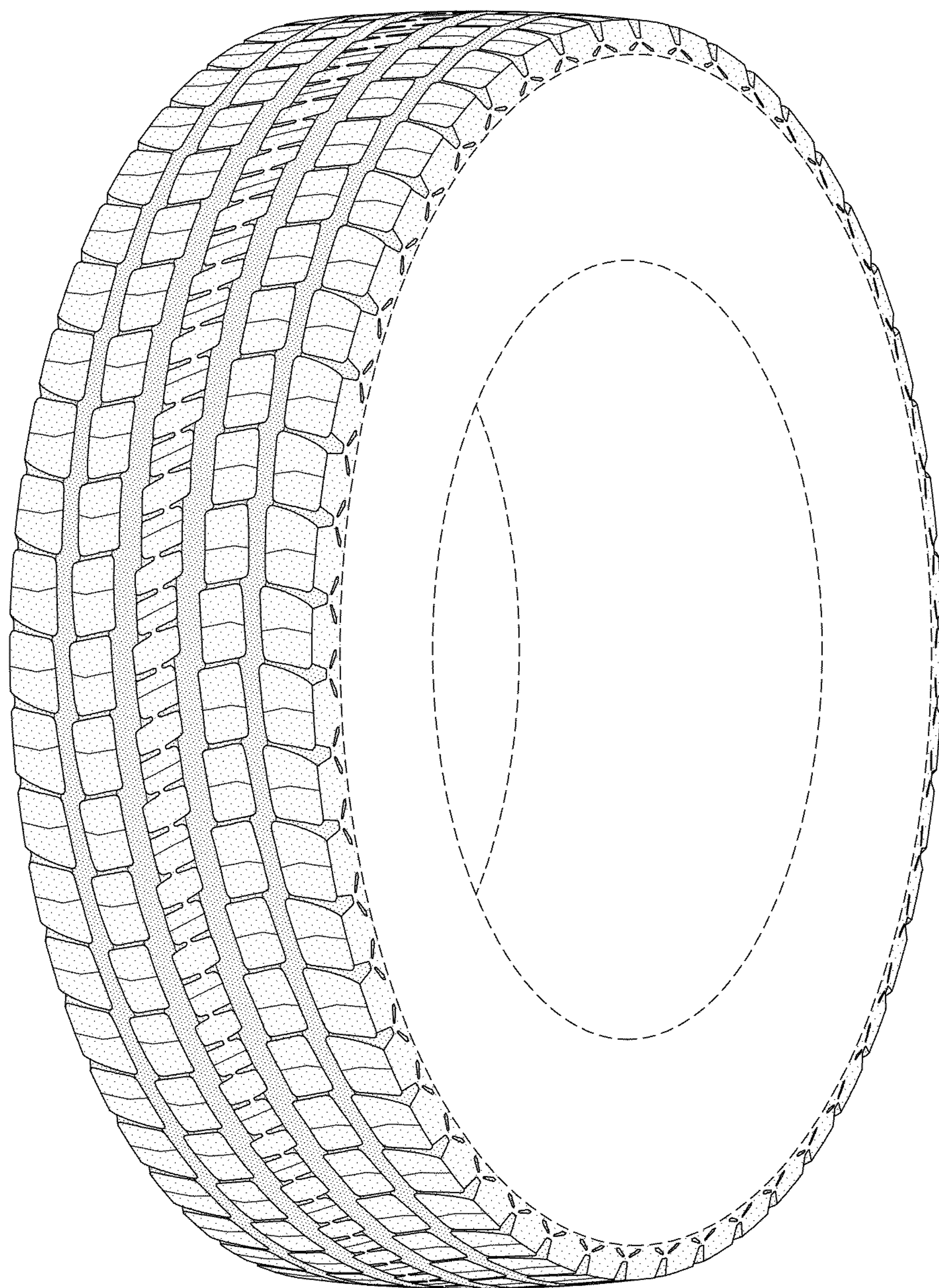


FIG-1

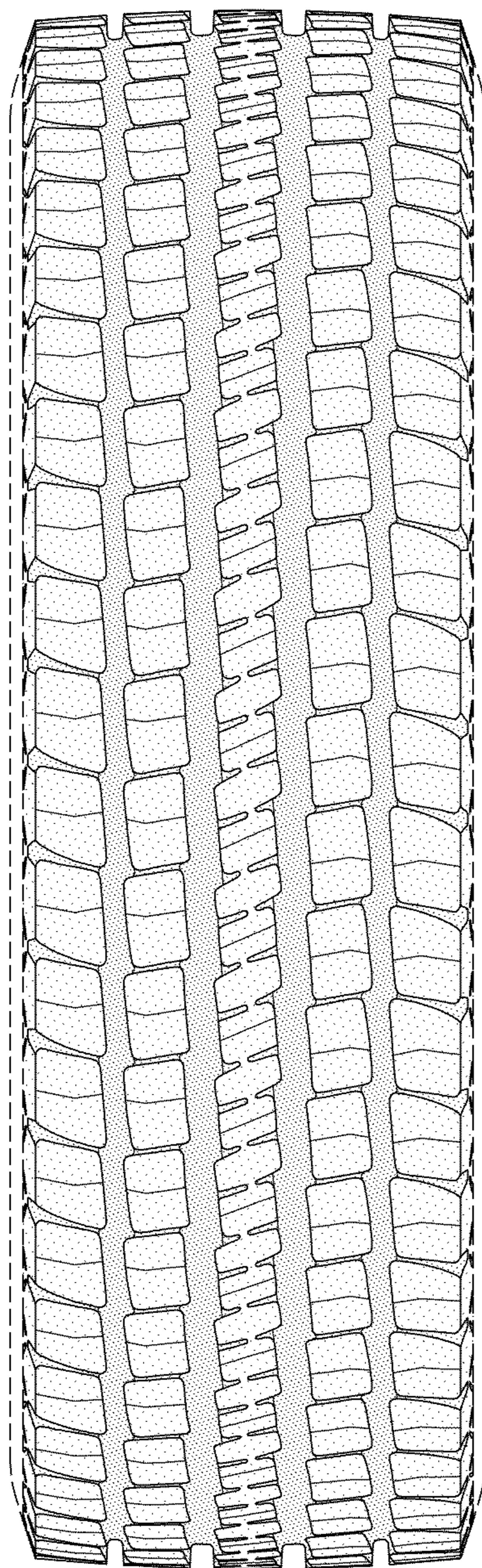


FIG-2

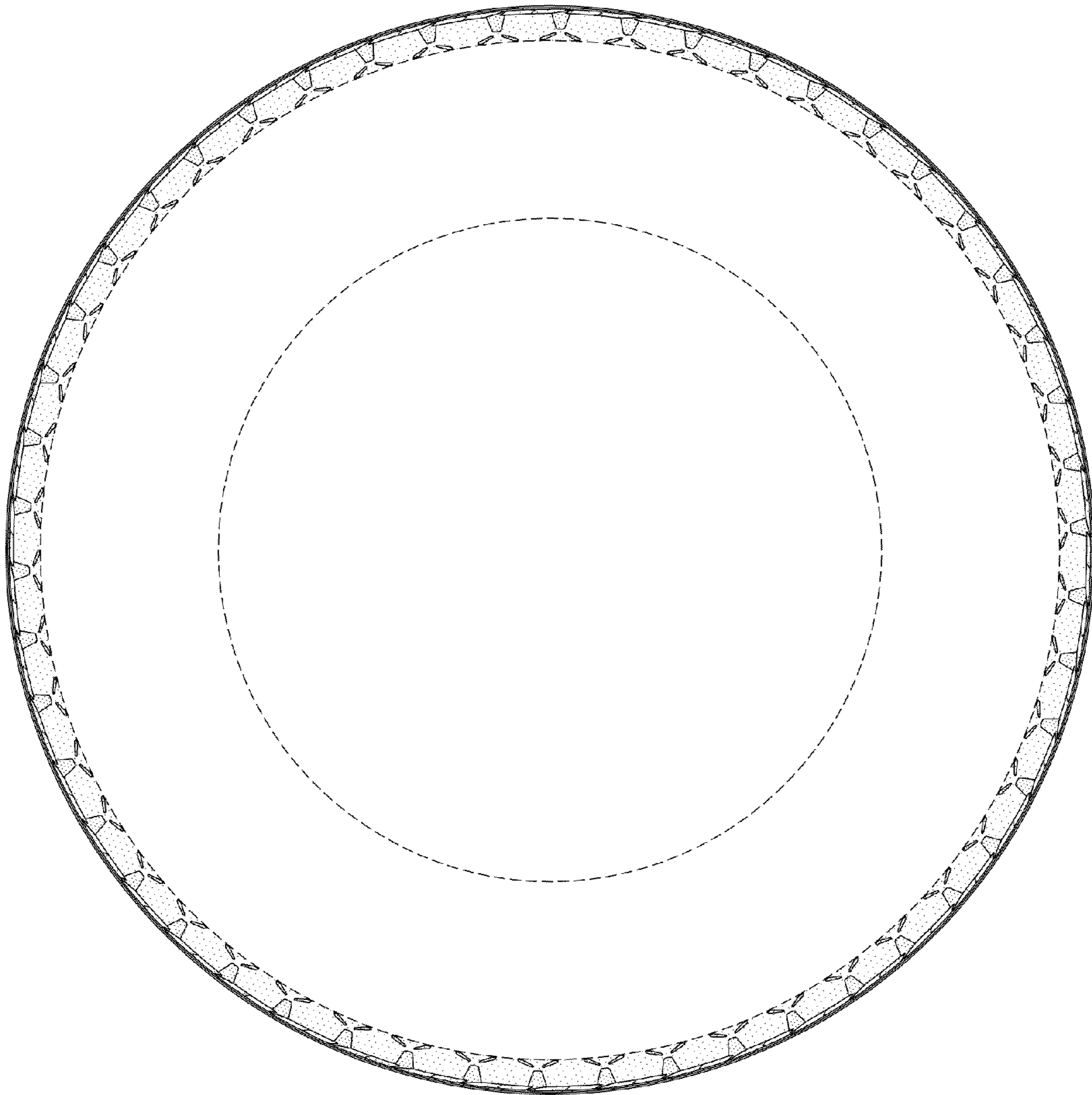


FIG-3

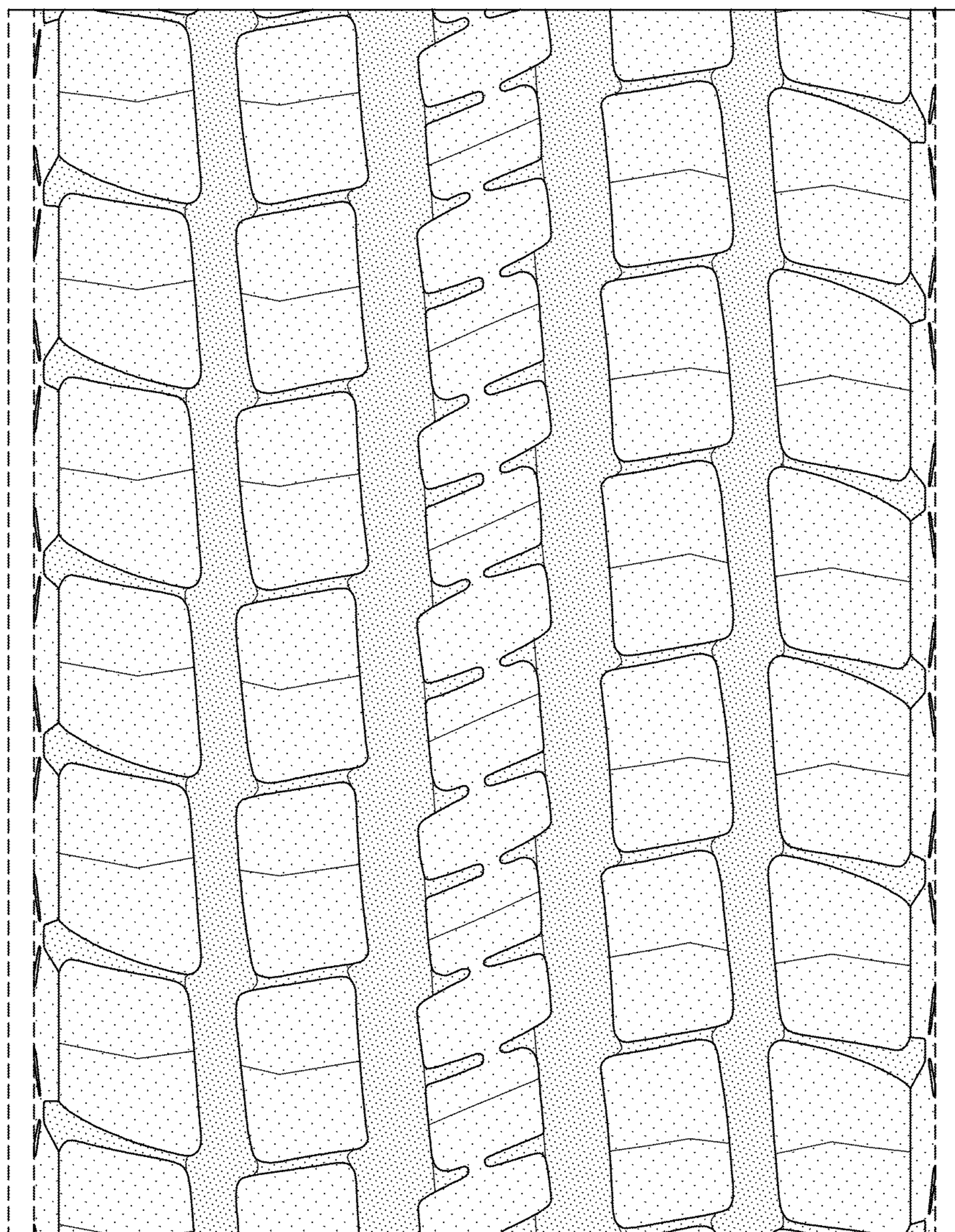


FIG-4

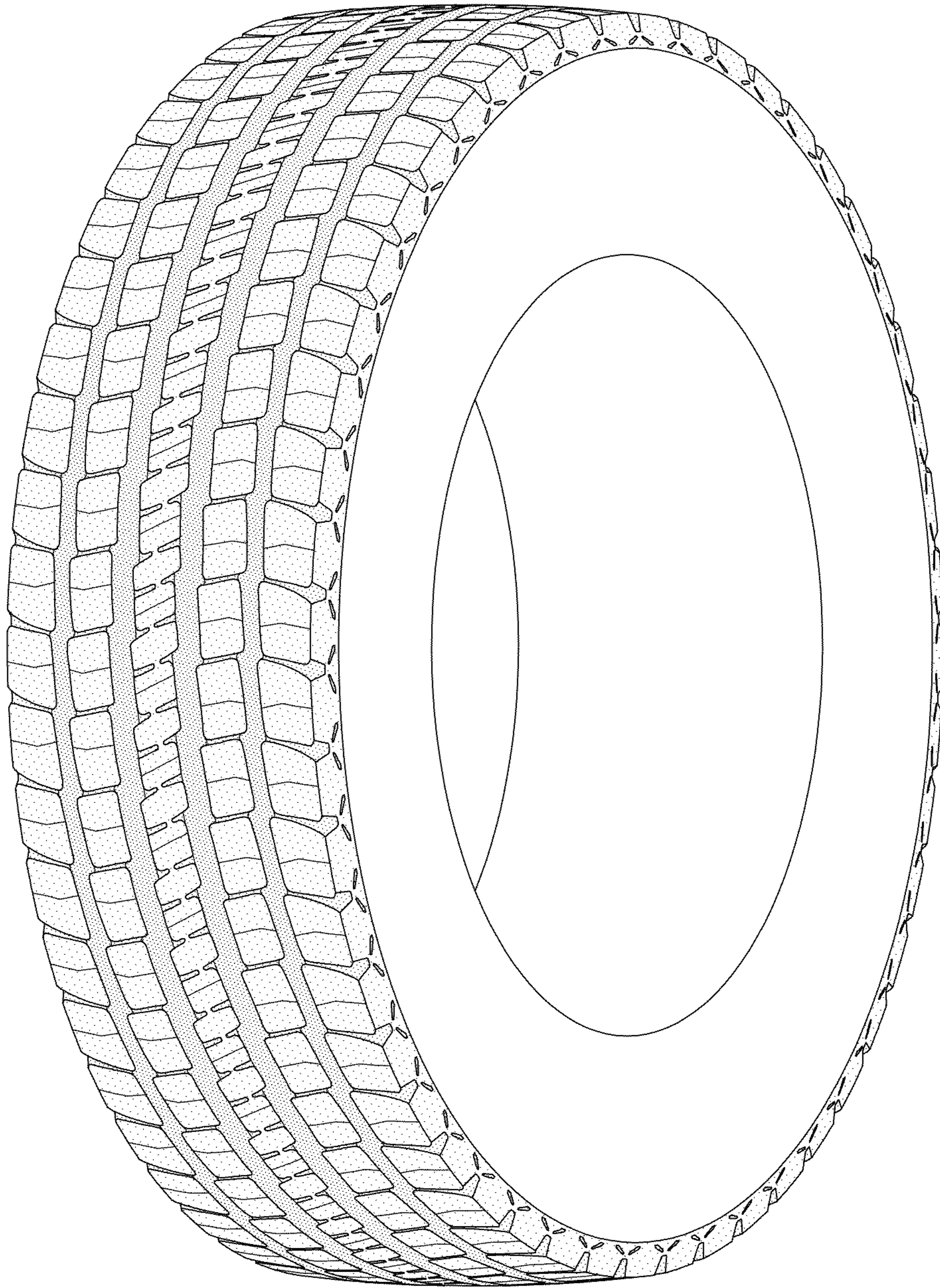


FIG-5

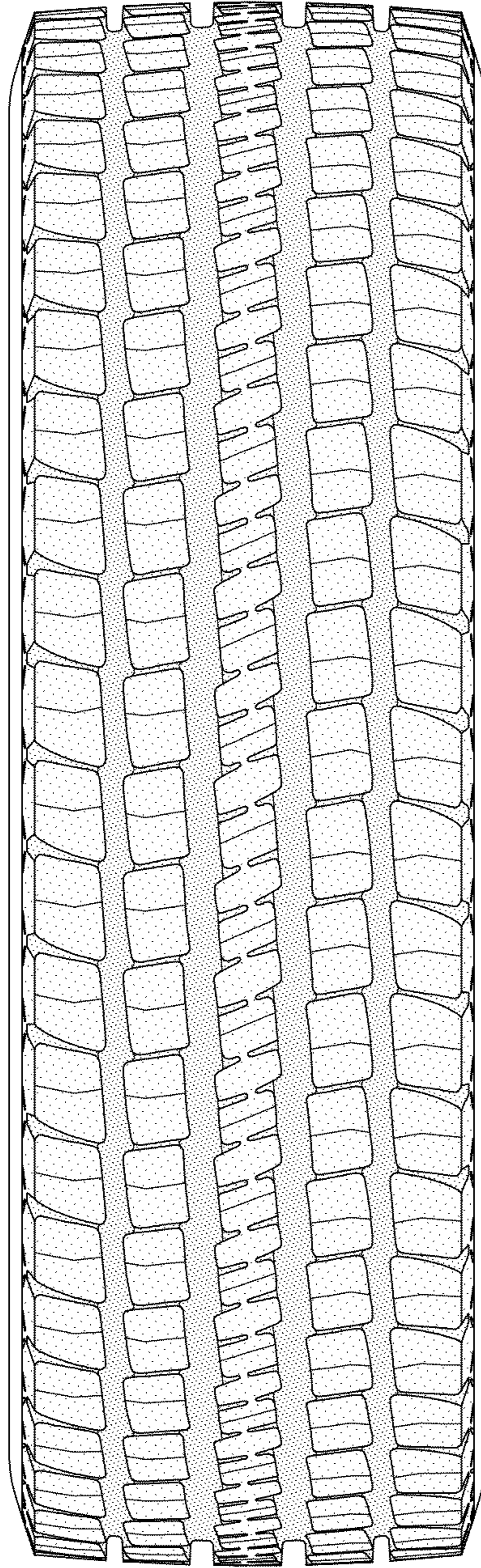


FIG-6