



US00D758954S

(12) **United States Design Patent**
Albouy et al.

(10) **Patent No.:** **US D758,954 S**
(45) **Date of Patent:** **** Jun. 14, 2016**

(54) **TIRE TREAD**

(56) **References Cited**

(71) Applicants: **COMPAGNIE GENERALE DES ESTABLISSEMENTS MICHELIN**, Clermont-Ferrand (FR); **MICHELIN RECHERCHE ET TECHNIQUE S.A.**, Granges-Paccot (CH)

(72) Inventors: **Mathieu Albouy**, Clermont-Ferrand (FR); **Cedrick Polycarpe**, Clermont-Ferrand (FR); **Vincent Tourneux**, Clermont-Ferrand (FR)

(73) Assignees: **COMPAGNIE GENERALE DES ESTABLISSEMENTS MICHELIN** (FR); **MICHELIN RECHERCHE ET TECHNIQUE S.A.** (CH)

(**) Term: **14 Years**

(21) Appl. No.: **29/504,541**

(22) Filed: **Oct. 7, 2014**

(30) **Foreign Application Priority Data**

Apr. 7, 2014 (FR) 14 1597

(51) **LOC (10) Cl.** **12-15**

(52) **U.S. Cl.**
USPC **D12/518**; D12/519

(58) **Field of Classification Search**
USPC D12/500–532, 900–901
CPC B60C 11/0304; B60C 11/0302; B60C 11/0306; B60C 11/0309; B60C 11/0318; B60C 11/0311; B60C 11/042; B60C 11/13; B60C 11/00; B60C 11/11; B60C 11/12

See application file for complete search history.

U.S. PATENT DOCUMENTS

D390,817 S	2/1998	Graas	
D444,428 S	7/2001	Hutz et al.	
D447,097 S *	8/2001	Graas	D12/523
D466,472 S	12/2002	Abe et al.	
D469,396 S	1/2003	Hutson et al.	
D517,976 S	3/2006	Raatikainen	
D547,716 S	7/2007	Ochi	
D561,683 S	2/2008	Kiwaki et al.	
D578,470 S	10/2008	Regallis et al.	
D583,302 S	12/2008	Shavers et al.	
D597,474 S *	8/2009	Yamakawa	D12/519
D599,276 S *	9/2009	Fontaine	D12/519
D601,939 S *	10/2009	Fontaine	D12/519
D603,324 S *	11/2009	Woidtke	D12/519
D609,627 S *	2/2010	Frappart	D12/523
D610,068 S	2/2010	Nagata et al.	
D612,321 S	3/2010	Bott et al.	
D634,261 S *	3/2011	Schmalix	D12/519

(Continued)

Primary Examiner — Stacia Cadmus

(74) *Attorney, Agent, or Firm* — Dickinson Wright PLLC

(57) **CLAIM**

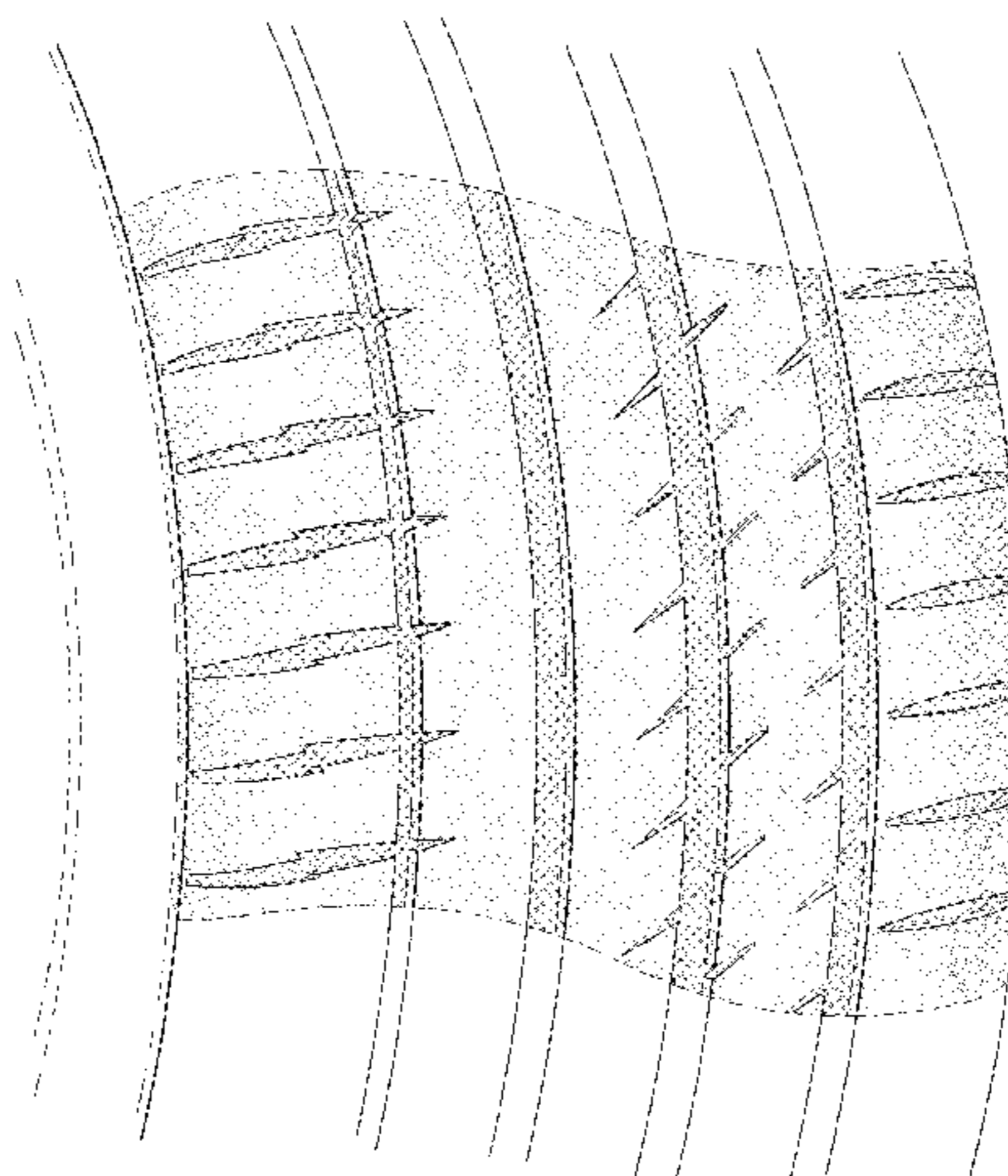
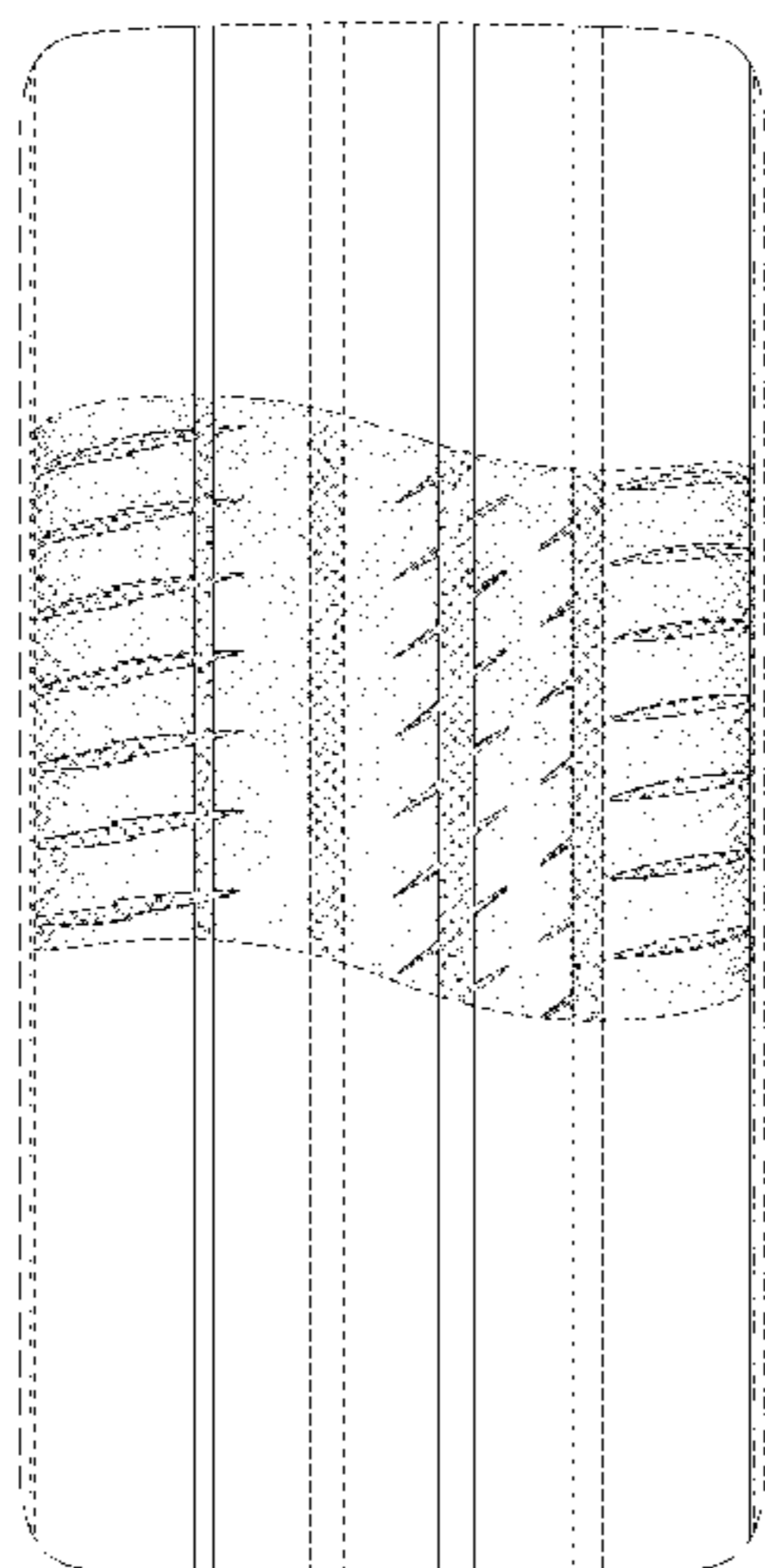
The ornamental design for a tire tread, as shown and described.

DESCRIPTION

FIG. 1 is a perspective view of the tire tread of our design; FIG. 2 is a front view of the tread of our design; FIG. 3 is a side elevational view of the tire tread of our design; FIG. 4 is a side elevational view of the tire tread of our design, taken from the opposite side shown in FIG. 3; and, FIG. 5 is an enlarged, partial view of FIG. 1.

In the drawings, the broken lines depict environmental subject matter that forms no part of the claimed design. The dash-dot lines represent the peripheral boundary between the claimed tire tread and the unclaimed sidewall. The tread pattern is understood to repeat uniformly throughout the circumference of the tire, as shown schematically in solid lines.

1 Claim, 5 Drawing Sheets



(56)

References Cited

U.S. PATENT DOCUMENTS

D643,799 S *	8/2011	Berryman	D12/523	D665,336 S *	8/2012	Skurich	D12/523
D647,455 S	10/2011	Frappart et al.		D667,358 S	9/2012	Fontaine et al.	
D647,456 S *	10/2011	Behr	D12/519	D696,182 S	12/2013	Sakamoto	
D648,668 S *	11/2011	Kujime	D12/519	D719,079 S	12/2014	Harvey et al.	
D650,322 S	12/2011	Takahashi		D725,584 S *	3/2015	Ropars	D12/516
D651,160 S	12/2011	Jacobs		D729,147 S *	5/2015	Perrier	D12/518
				D732,461 S *	6/2015	Bindner	D12/519

* cited by examiner

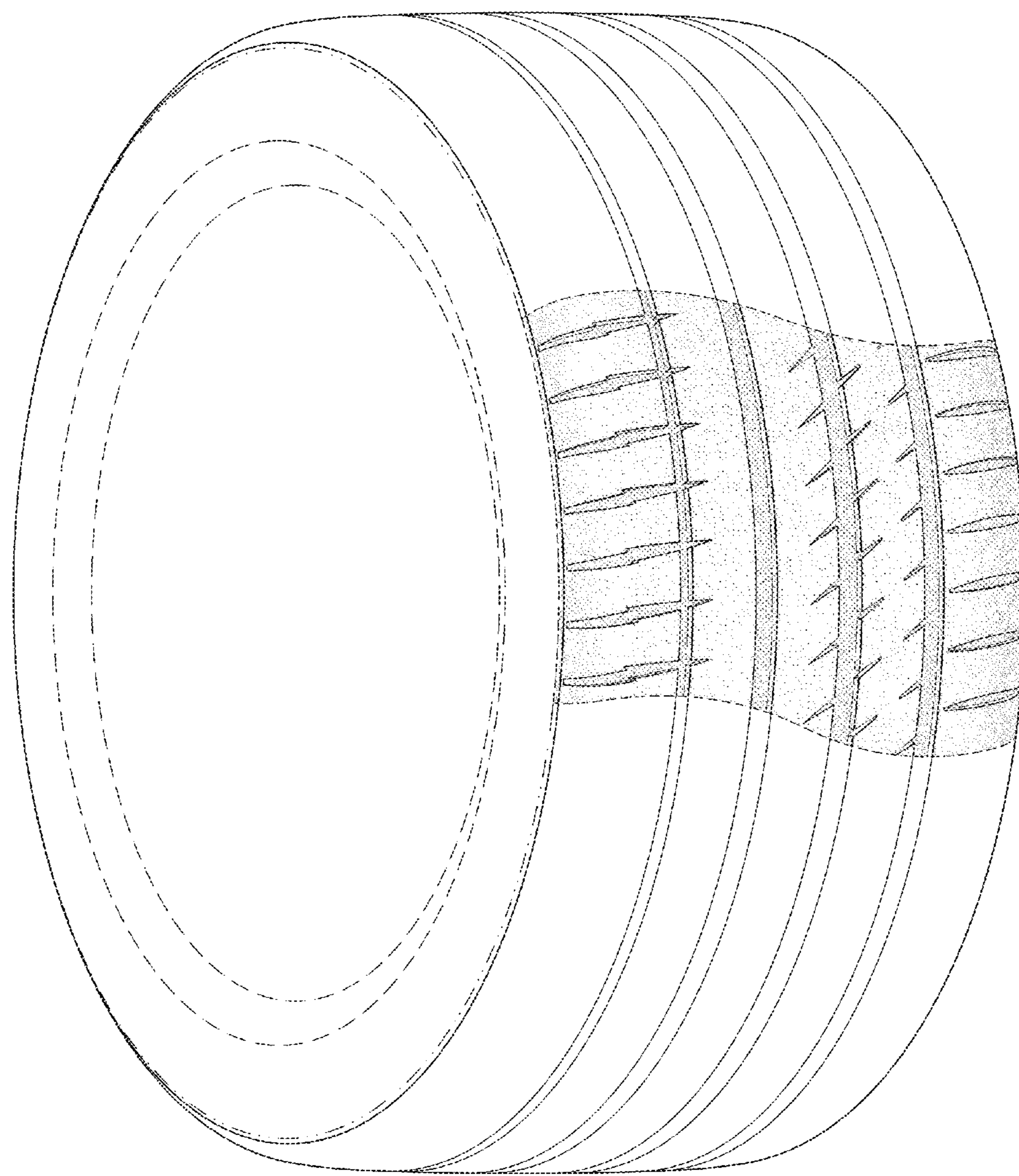


FIG. 1

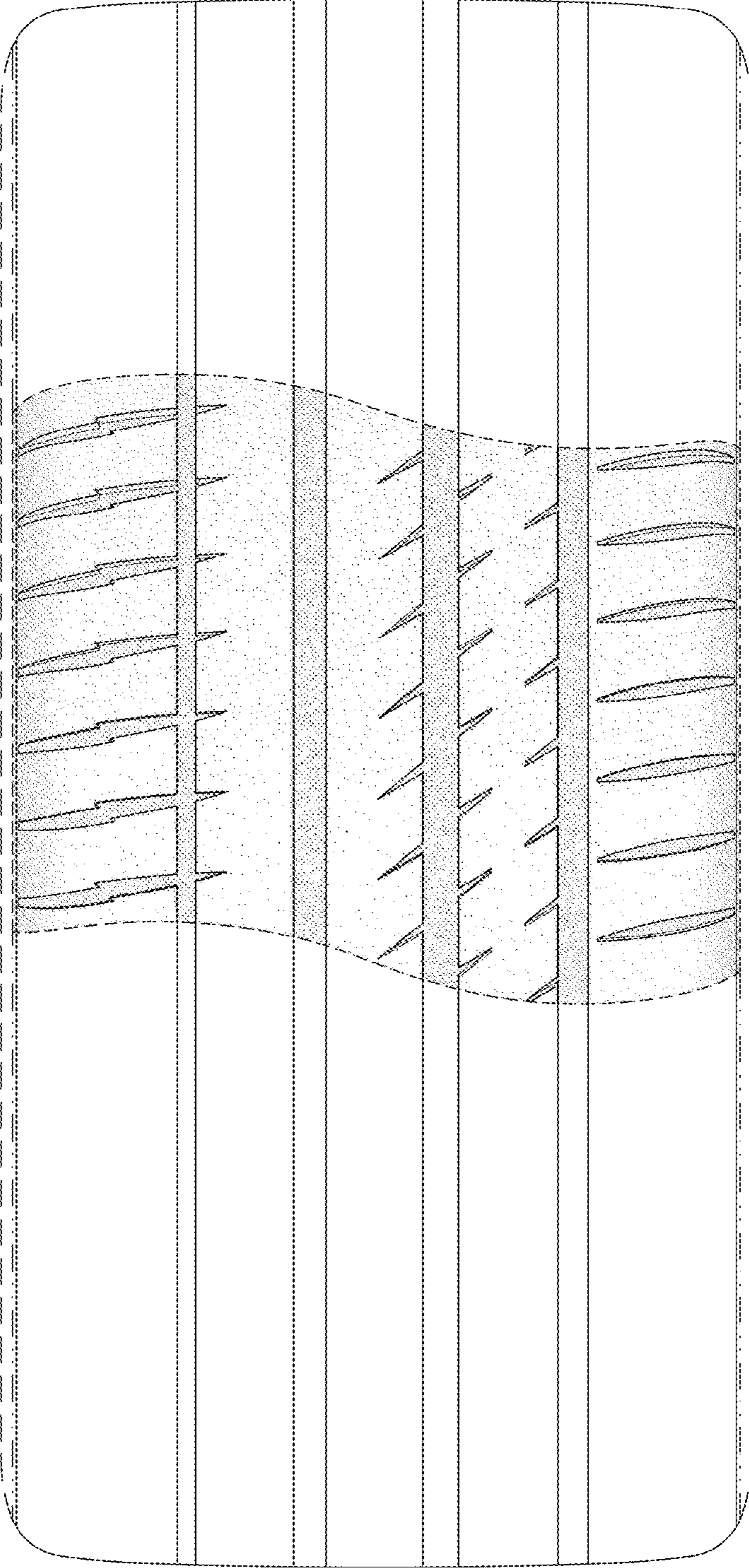


FIG. 2

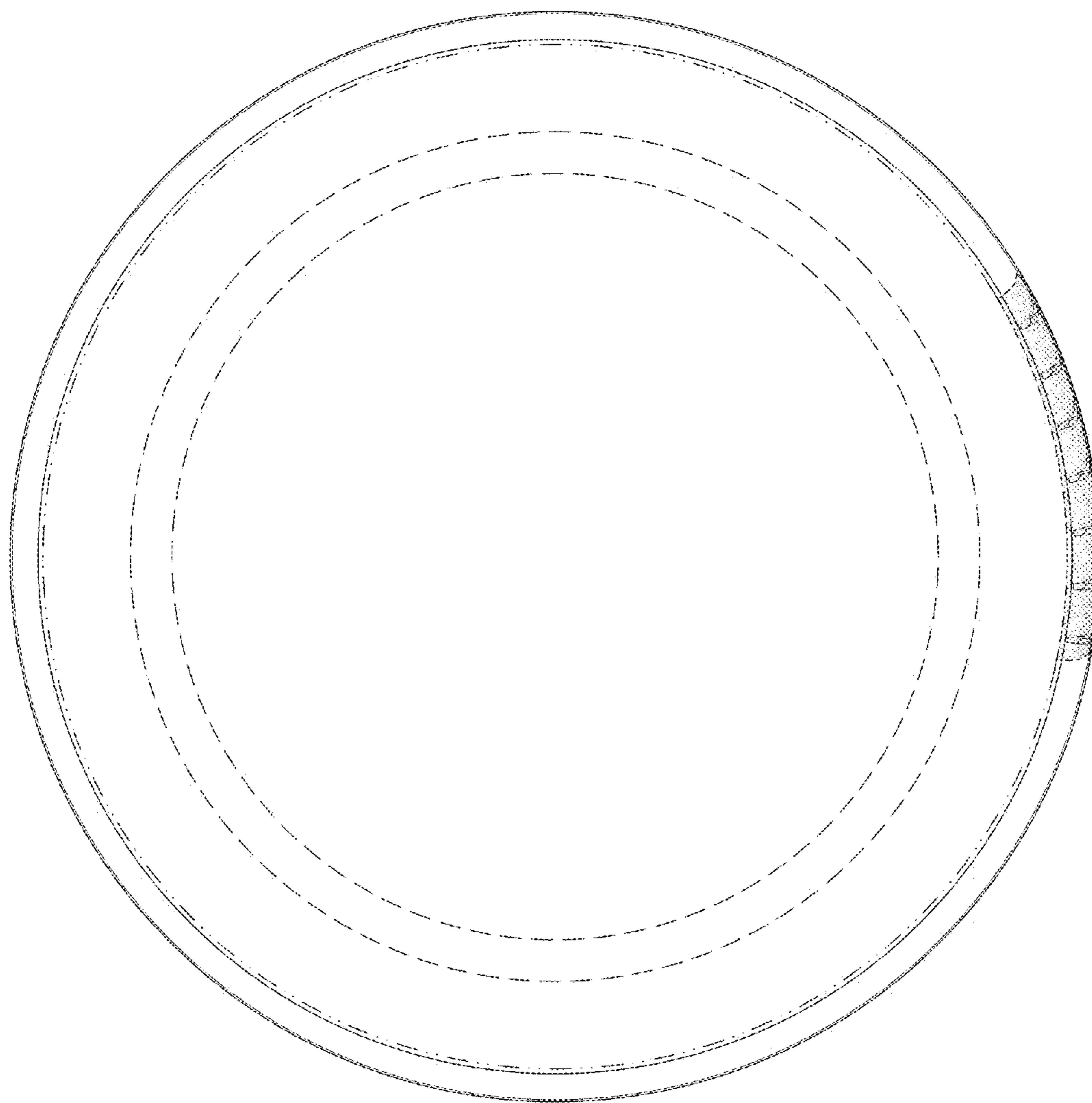


FIG. 3

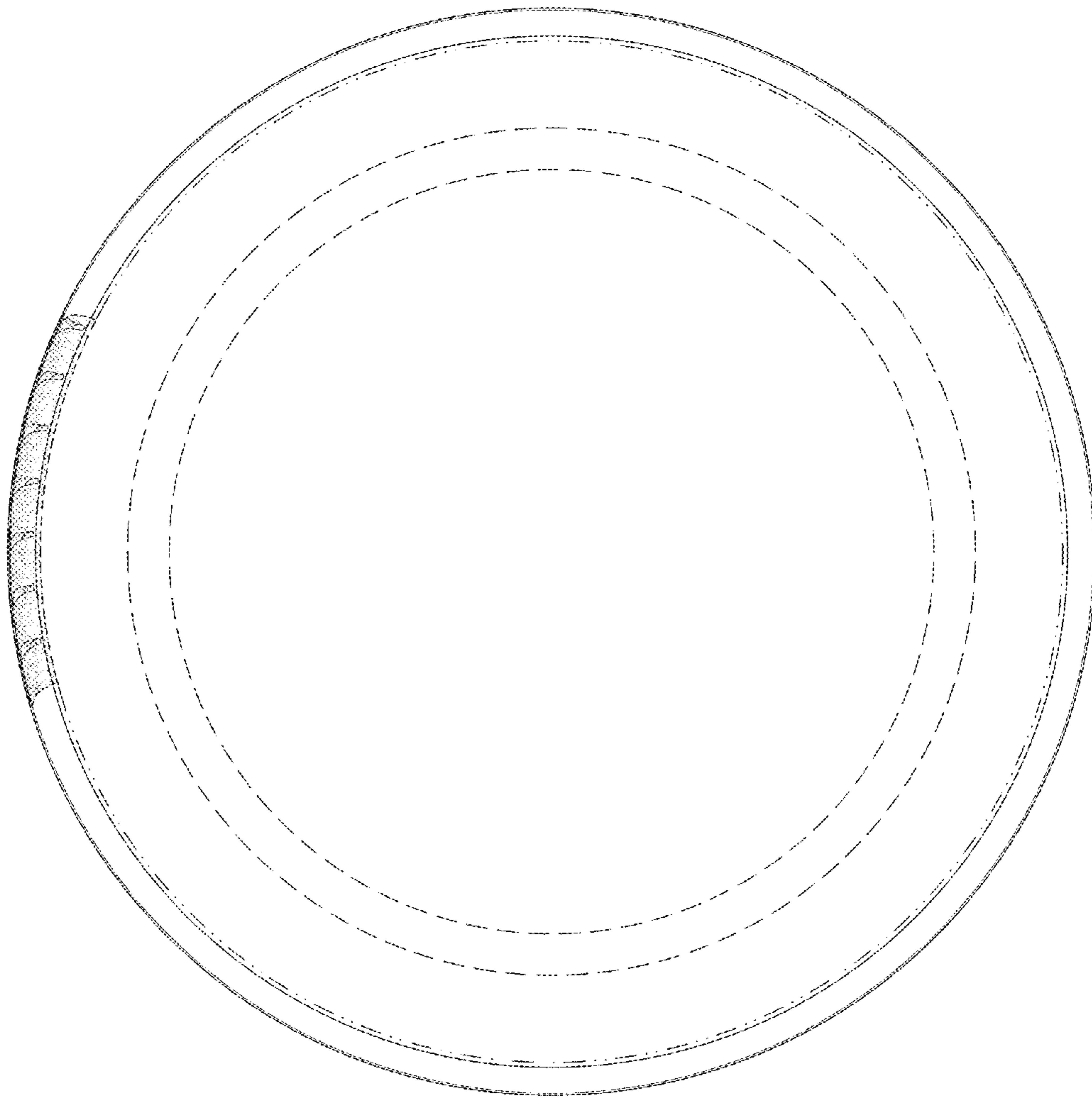


FIG. 4

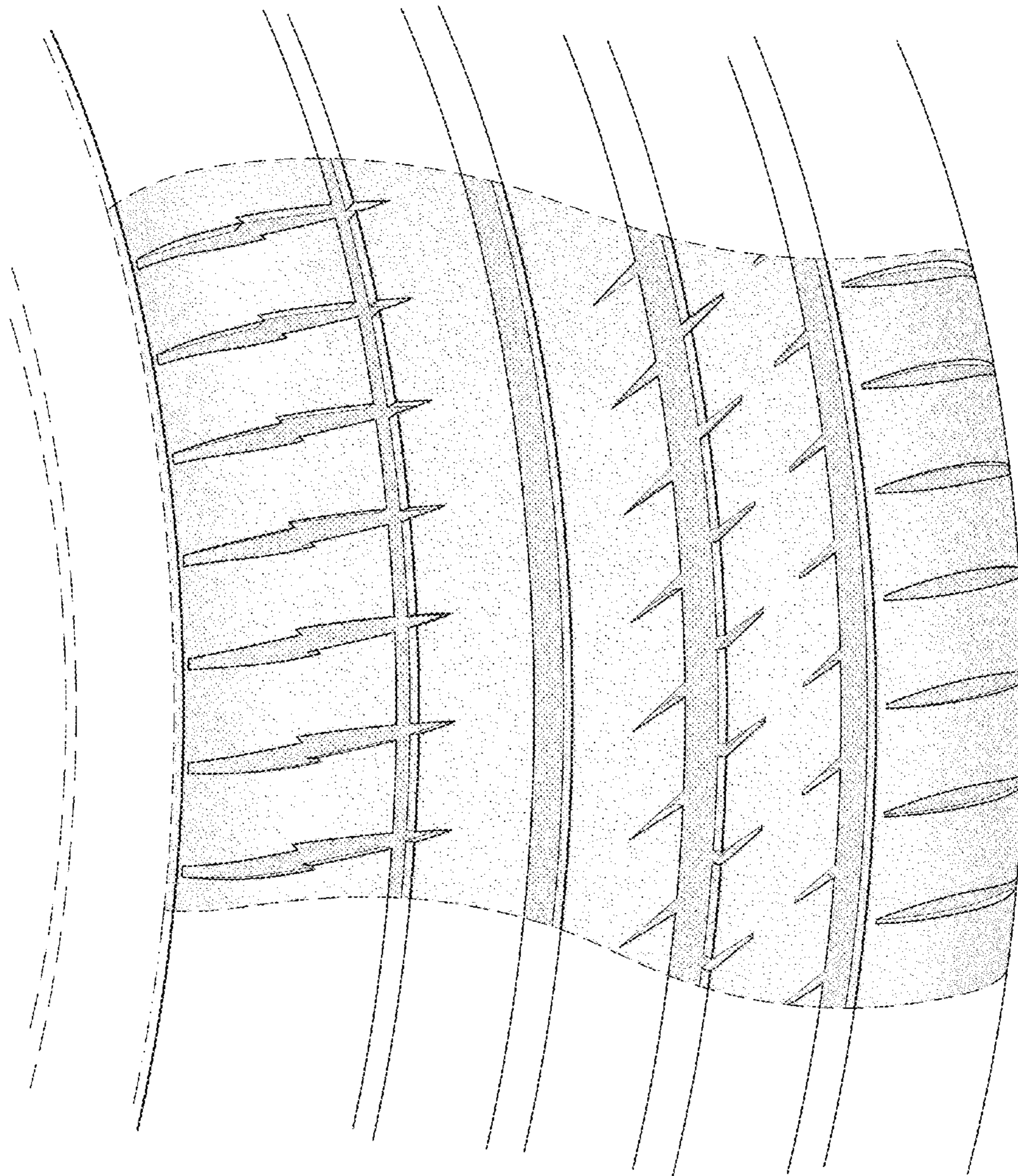


FIG. 5