



US00D758953S

(12) **United States Design Patent**
Ebiko et al.

(10) **Patent No.:** **US D758,953 S**
(45) **Date of Patent:** **** Jun. 14, 2016**

(54) **PNEUMATIC TIRE**

(71) Applicants: **Masahiro Ebiko**, Kanagawa (JP);
Kenichiro Endo, Kanagawa (JP);
Takumi Morito, Kanagawa (JP);
Hiroshi Tokizaki, Kanagawa (JP);
Hiroyuki Kojima, Kanagawa (JP);
Kensuke Saitou, Kanagawa (JP)

(72) Inventors: **Masahiro Ebiko**, Kanagawa (JP);
Kenichiro Endo, Kanagawa (JP);
Takumi Morito, Kanagawa (JP);
Hiroshi Tokizaki, Kanagawa (JP);
Hiroyuki Kojima, Kanagawa (JP);
Kensuke Saitou, Kanagawa (JP)

(73) Assignee: **THE YOKOHAMA RUBBER CO., LTD.**, Tokyo (JP)

(**) Term: **14 Years**

(21) Appl. No.: **29/492,635**

(22) Filed: **Jun. 2, 2014**

Related U.S. Application Data

(63) Continuation of application No. 13/118,706, filed on May 31, 2011, now Pat. No. 8,770,241.

(30) **Foreign Application Priority Data**

Nov. 30, 2010 (JP) 2010-028578
Dec. 2, 2010 (JP) 2010-269252

(51) **LOC (10) Cl.** **12-15**

(52) **U.S. Cl.**
USPC **D12/515**

(58) **Field of Classification Search**
USPC D12/500-532, 900-901
CPC B60C 11/0304; B60C 11/0302; B60C 11/0306; B60C 11/0309; B60C 11/0318; B60C 11/0311; B60C 11/042; B60C 11/13; B60C 11/00; B60C 11/11; B60C 11/12; B60C 1/00; B60C 1/16; B60C 11/1392; B60C 11/1315

See application file for complete search history.

(56) **References Cited**

U.S. PATENT DOCUMENTS

3,951,193 A 4/1976 Yeager
D382,517 S * 8/1997 Scarpitti D12/517

(Continued)

FOREIGN PATENT DOCUMENTS

EP 0256247 A2 2/1988
GB 1549347 A 8/1979

(Continued)

OTHER PUBLICATIONS

Decision to Grant a Patent corresponding Japanese Patent Application No. 2010-269252, dated Jul. 12, 2011.

Primary Examiner — Stacia Cadmus

(74) *Attorney, Agent, or Firm* — Global IP Counselors, LLP

(57) **CLAIM**

The ornamental design for a pneumatic tire, as shown and described.

DESCRIPTION

FIG. 1 is a perspective view showing an ornamental design of a pneumatic tire of a disclosed embodiment with parts of the sidewall portions and bead portions being indicated by broken lines;

FIG. 2 is a front view of the ornamental design of the pneumatic tire shown in FIG. 1, with a top plan view and bottom plan view of the pneumatic tire appearing the same as the front view;

FIG. 3 is a rear view of the ornamental design of the pneumatic tire shown in FIG. 1;

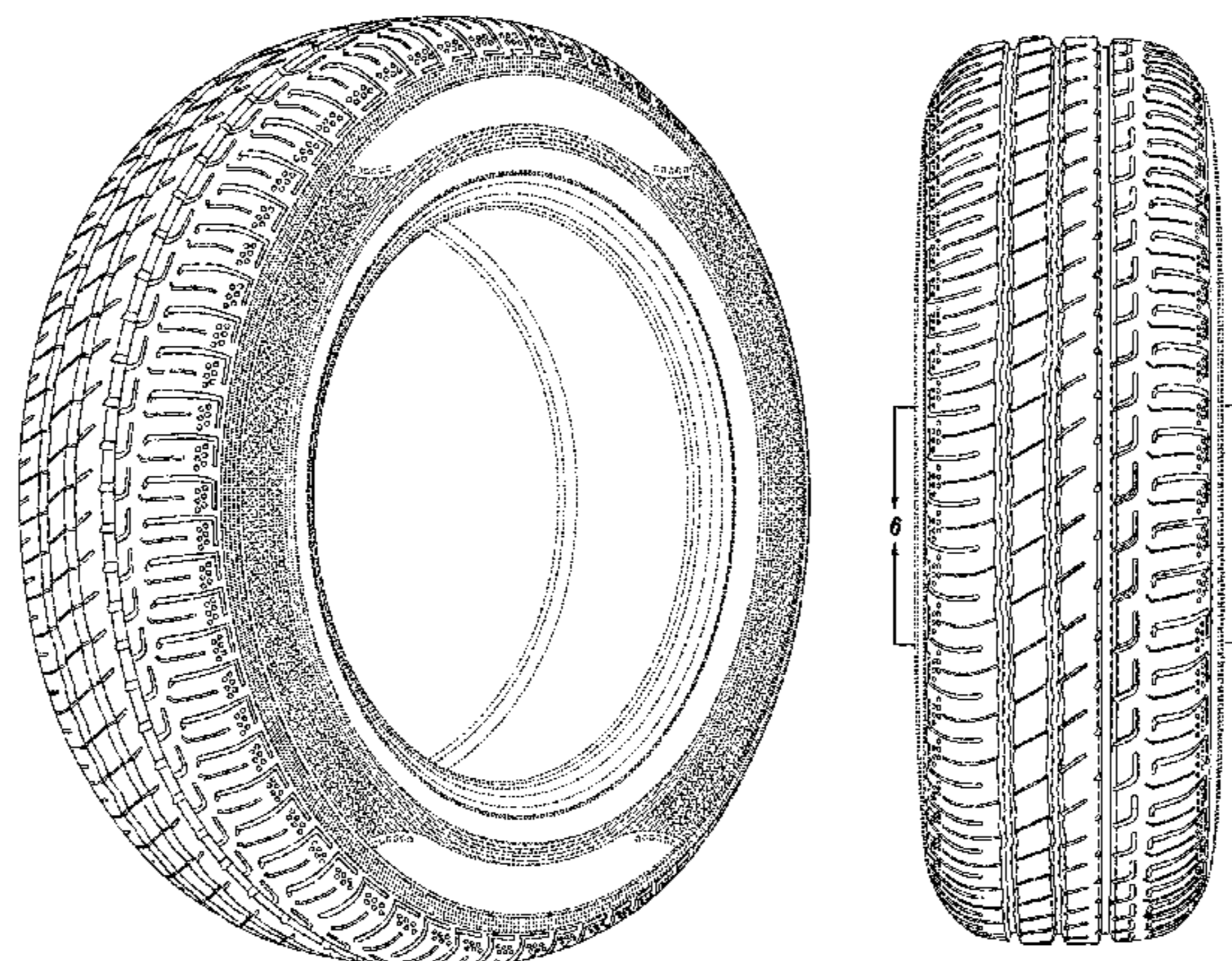
FIG. 4 is a right side view of the ornamental design of the pneumatic tire shown in FIG. 1;

FIG. 5 is a left side view of the ornamental design of the pneumatic tire shown in FIG. 1; and,

FIG. 6 is partial front view of the ornamental design of the pneumatic tire shown in FIG. 1, showing an enlargement of the portion 6-6 in FIG. 2, with the tread pattern continuously repeating around the circumference of the tire.

The broken line showing of the sidewall, inner bead and the peripheral boundary between the tire tread and the sidewall is included for the purpose of illustrating environment and forms no part of the claimed design.

1 Claim, 5 Drawing Sheets



(56)

References Cited

U.S. PATENT DOCUMENTS

5,795,415 A 8/1998 Campana et al.
 D586,723 S * 2/2009 Heinen D12/517
 7,597,127 B2 10/2009 Mathews
 D615,024 S * 5/2010 Lee D12/515
 D624,006 S * 9/2010 Lee D12/518
 D647,453 S * 10/2011 Nomura D12/517
 D654,425 S * 2/2012 Nomura D12/517
 D658,115 S * 4/2012 Nomura D12/517
 D661,242 S * 6/2012 Schmidt-Zum Berge ... D12/517
 D665,335 S * 8/2012 Baumard D12/517
 D666,137 S * 8/2012 Sieber D12/517
 D675,558 S * 2/2013 Harris D12/517
 D709,433 S * 7/2014 Inoue D12/517
 8,770,241 B2 * 7/2014 Ebiko B60C 11/0309
 152/209.15
 D710,290 S * 8/2014 Leconte D12/517

D747,677 S * 1/2016 Hughes D12/517
 2003/0094227 A1 5/2003 Bettiol et al.
 2010/0200134 A1 8/2010 Murata

FOREIGN PATENT DOCUMENTS

JP S61-178205 A 8/1986
 JP S61-291203 A 12/1986
 JP H02-179508 A 7/1990
 JP H05-65609 U 8/1993
 JP H07-40712 A 2/1995
 JP H09-272311 A 10/1997
 JP 2001-187518 A 7/2001
 JP 2001-187519 A 7/2001
 JP 2005-001550 A 1/2005
 JP 2005-112085 A 4/2005
 JP 2006-151029 A 6/2006
 JP 2009-40156 A 2/2009
 WO 2009-020077 A1 2/2009

* cited by examiner

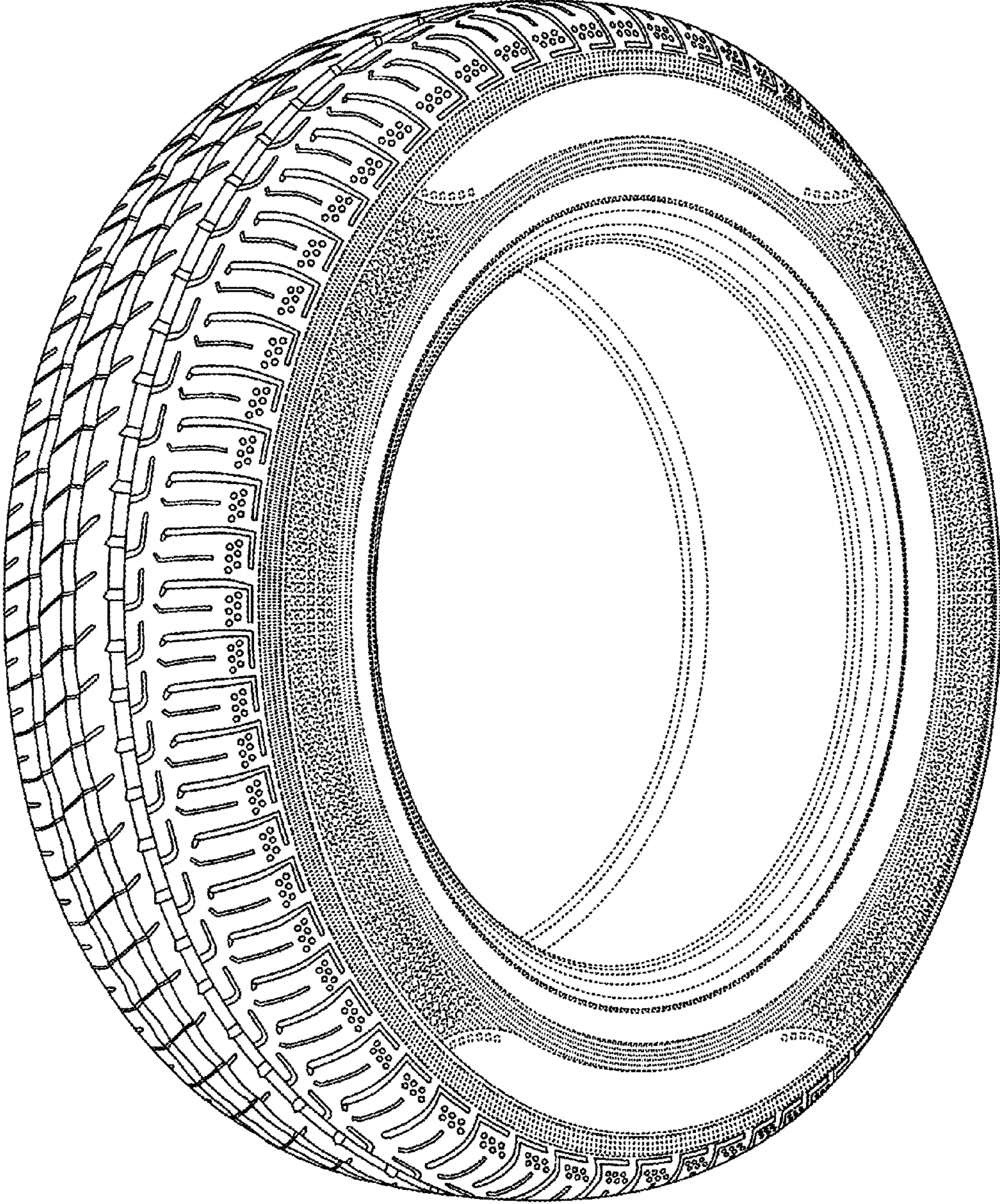


FIG. 1

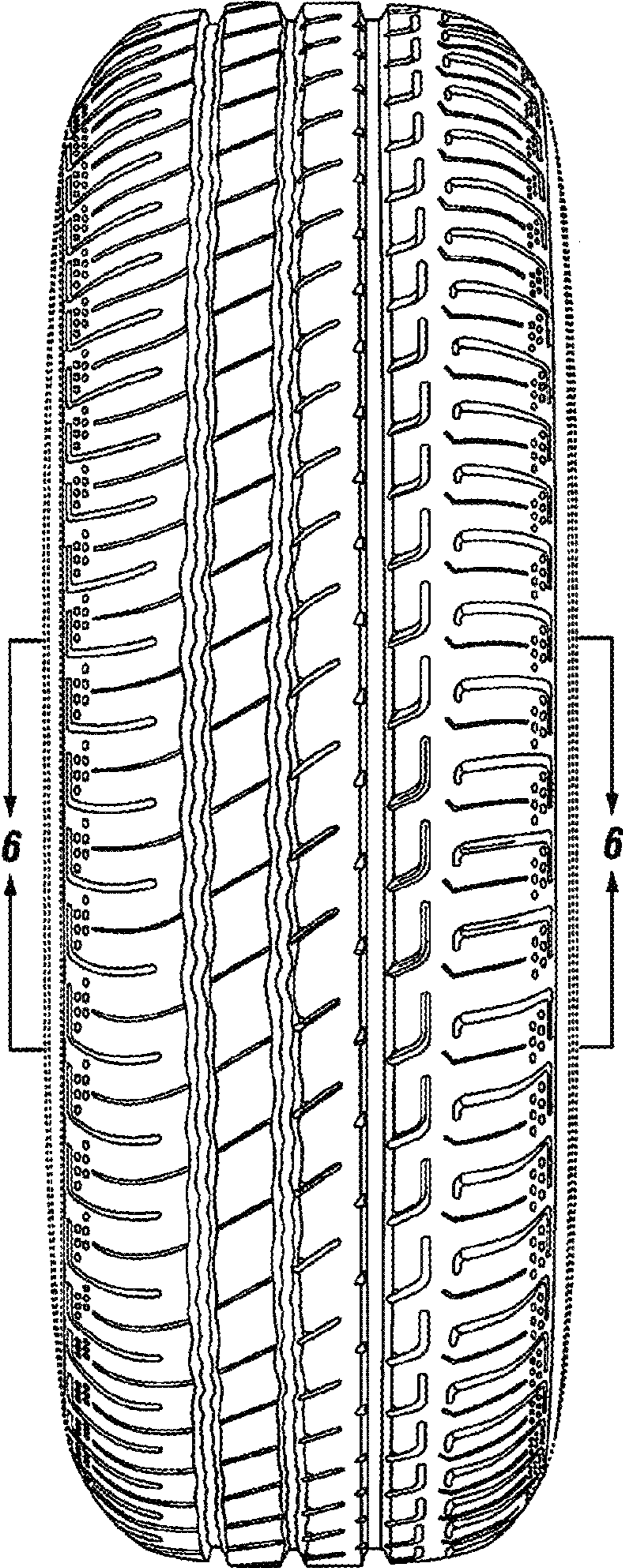


FIG. 2

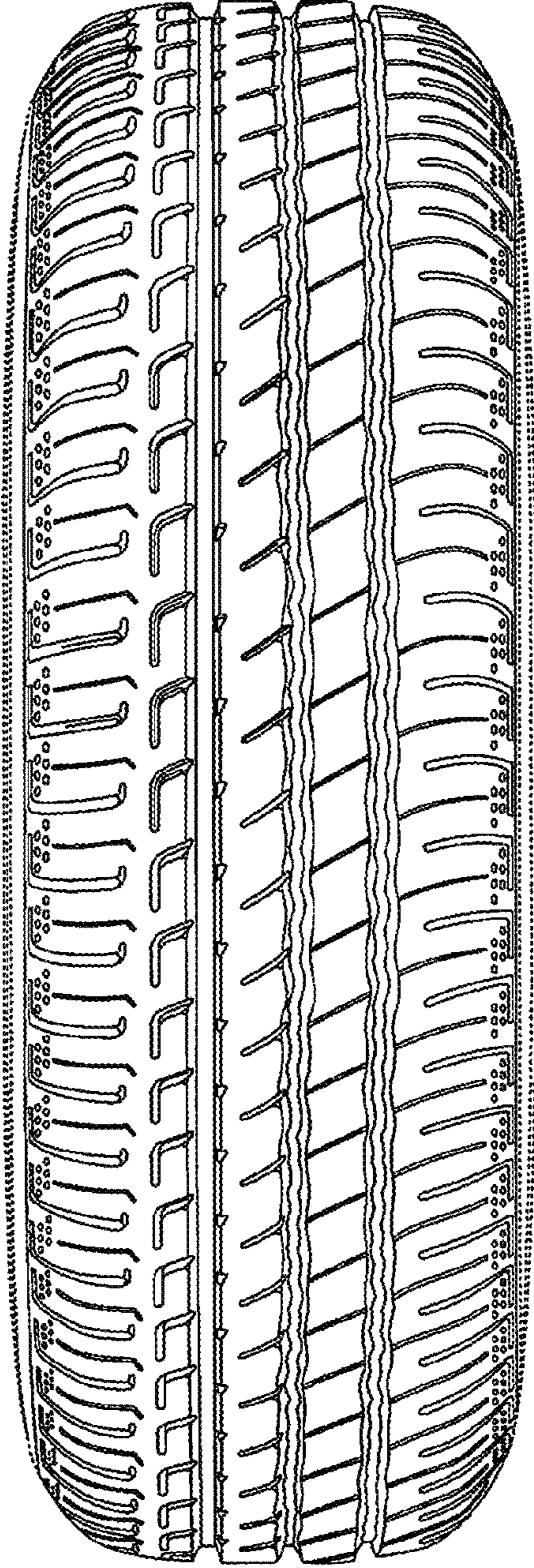


FIG. 3

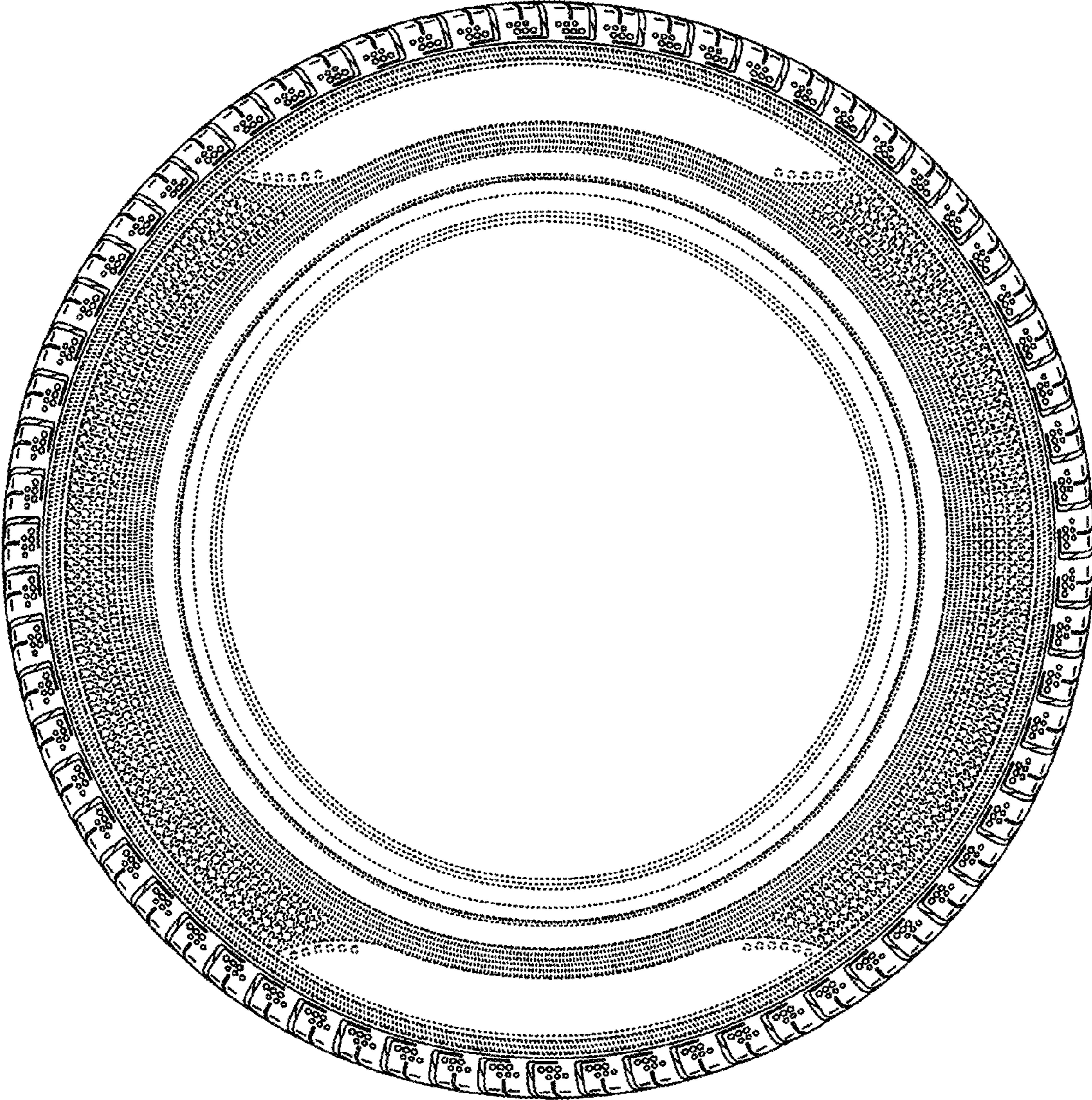


FIG.4

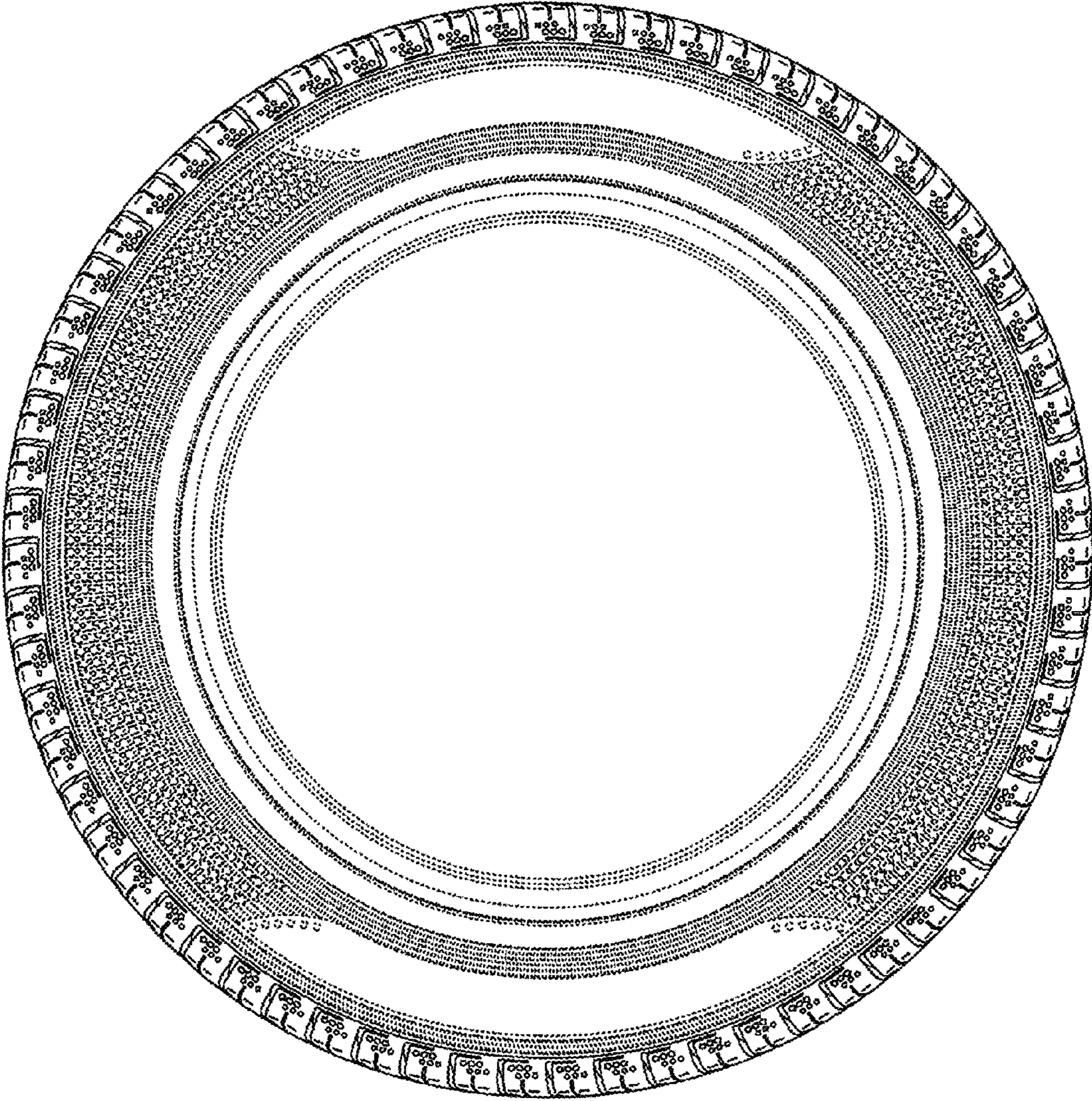


FIG.5

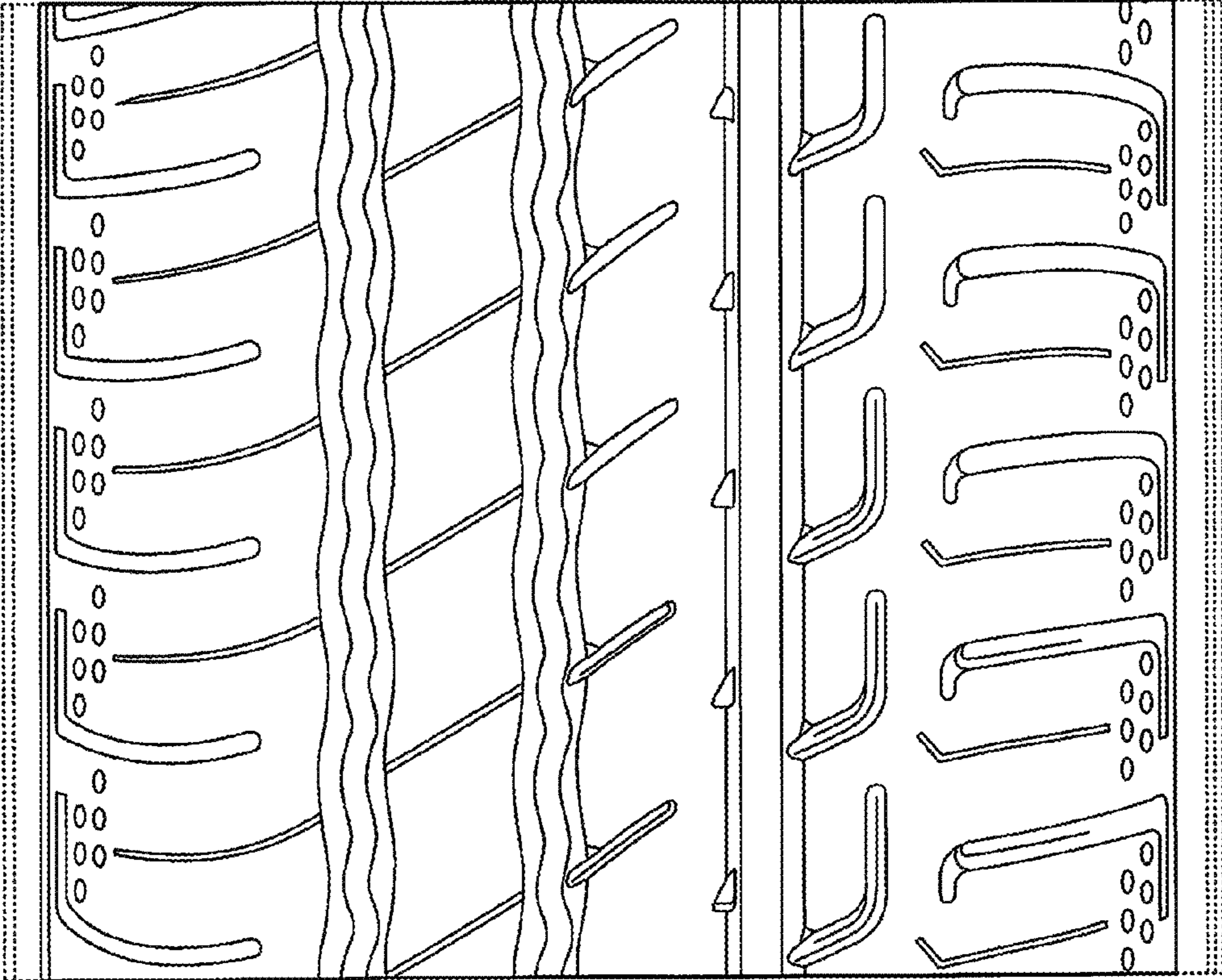


FIG.6