



US00D758952S

(12) **United States Design Patent**
Erhel

(10) **Patent No.:** **US D758,952 S**

(45) **Date of Patent:** **** Jun. 14, 2016**

(54) **ARMREST**

(71) Applicant: **BOMBARDIER INC.**, Dorval (CA)

(72) Inventor: **Philippe Erhel**, Montréal (CA)

(73) Assignee: **BOMBARDIER, INC.**, Dorval, Quebec (CA)

(**) Term: **14 Years**

(21) Appl. No.: **29/503,352**

(22) Filed: **Sep. 25, 2014**

(51) **LOC (10) Cl.** **12-16**

(52) **U.S. Cl.**
USPC **D12/421**

(58) **Field of Classification Search**
USPC D12/421, 515, 416, 419
CPC B60N 2/46
See application file for complete search history.

(56) **References Cited**

U.S. PATENT DOCUMENTS

D358,124 S *	5/1995	Landry	D12/423
D411,980 S *	7/1999	Sacco	D12/423
D502,910 S *	3/2005	Klopp, III	D12/421
D513,491 S *	1/2006	Yamazaki	D12/419
D532,361 S *	11/2006	Seidel	D12/415
7,784,843 B2 *	8/2010	Lota	B60N 2/4686 296/24.34
D632,640 S *	2/2011	Wyszogrod	D12/415
D742,301 S *	11/2015	Kasparian	D12/421

* cited by examiner

Primary Examiner — Katrina A Betton

(74) *Attorney, Agent, or Firm* — Thomas & Karceski, PC

(57) **CLAIM**

The ornamental design for an armrest, as shown and described.

DESCRIPTION

FIG. 1 is a perspective view of a the armrest according to the design, the perspective view including an illustration of an accompanying seat to illustrate one contemplated placement of the armrest in association therewith;

FIG. 2 is a front view of the armrest of FIG. 1;

FIG. 3 is a rear view of the armrest of FIG. 1;

FIG. 4 is a left side view of the armrest of FIG. 1;

FIG. 5 is a top view of the armrest of FIG. 1;

FIG. 6 is a bottom view of the armrest of FIG. 1;

FIG. 7 is an enlarged, perspective view of the armrest illustrated in FIG. 1, showing details of the armrest without an accompanying seat;

FIG. 8 is a front view of the armrest of FIG. 7;

FIG. 9 is a rear view of the armrest of FIG. 7;

FIG. 10 is a left side view of the armrest of FIG. 7;

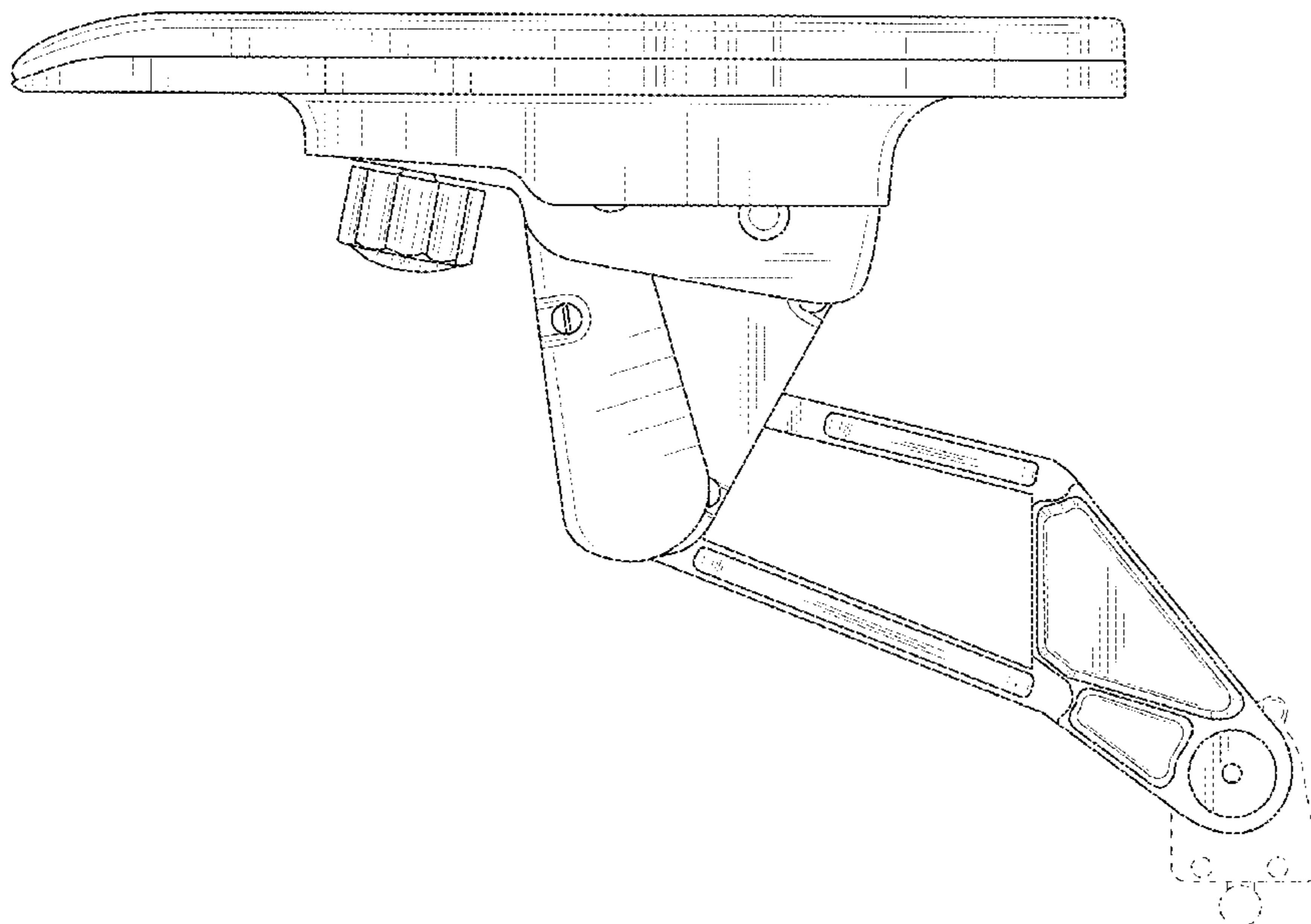
FIG. 11 is a right side view of the armrest of FIG. 7;

FIG. 12 is a top view of the armrest of FIG. 7; and,

FIG. 13 is a bottom view of the armrest of FIG. 7.

The broken lines that are included in all of the figures of the drawings denote aspects of the seat that form no part of the claimed design. With respect to FIGS. 1-6, the right side view is omitted, because aspects of the unclaimed seat obscure the armrest in this view.

1 Claim, 13 Drawing Sheets



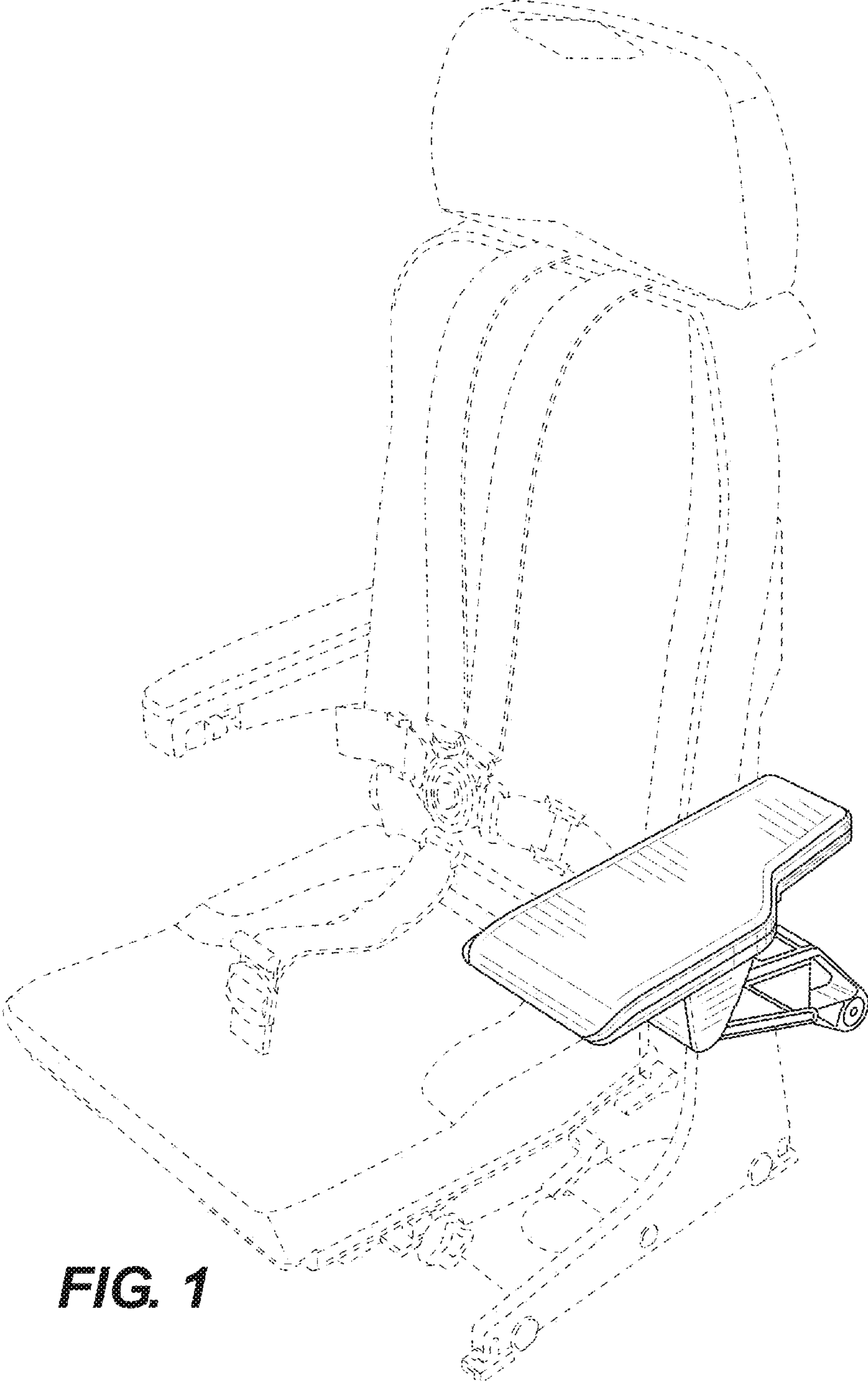


FIG. 1

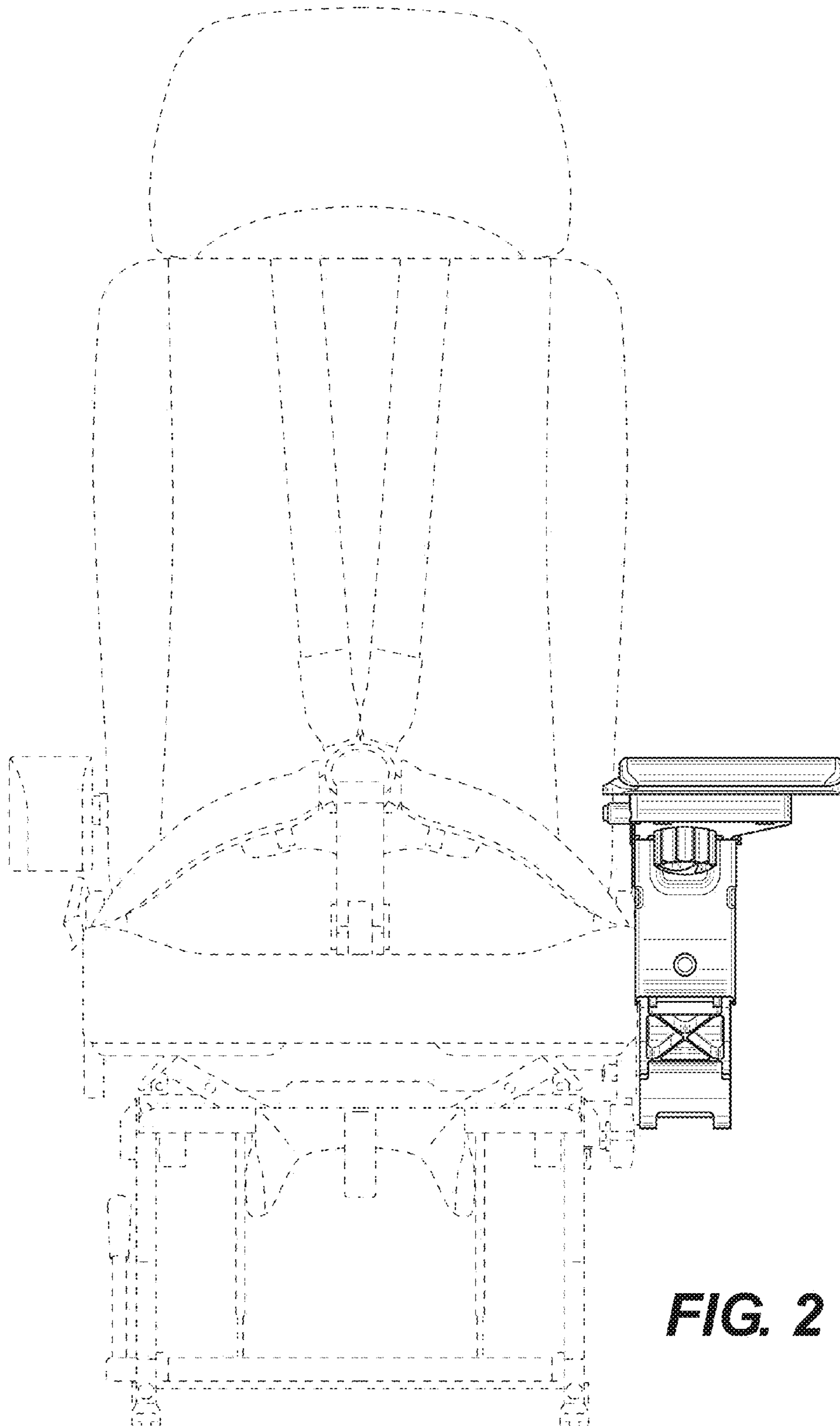


FIG. 2

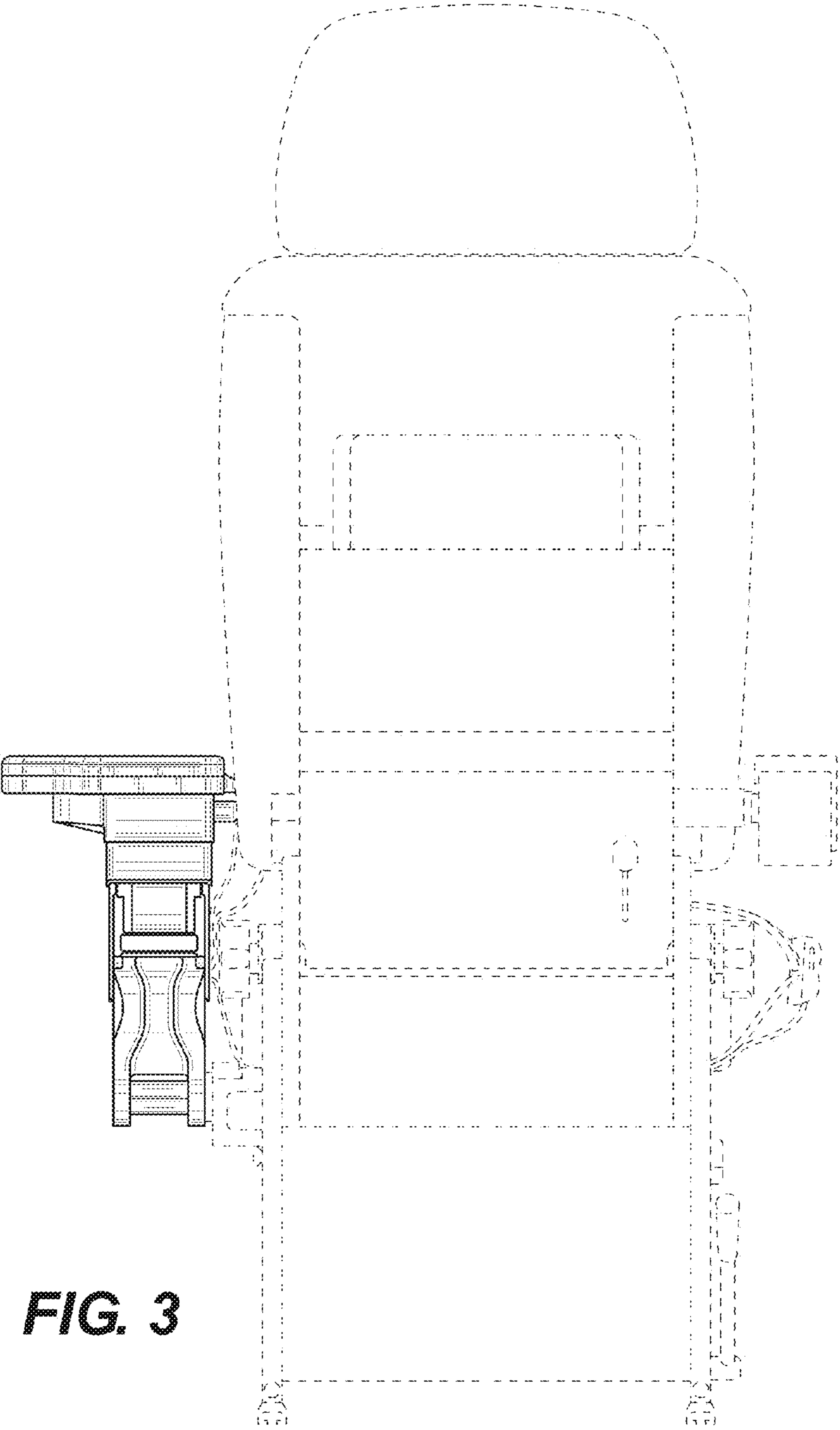


FIG. 3

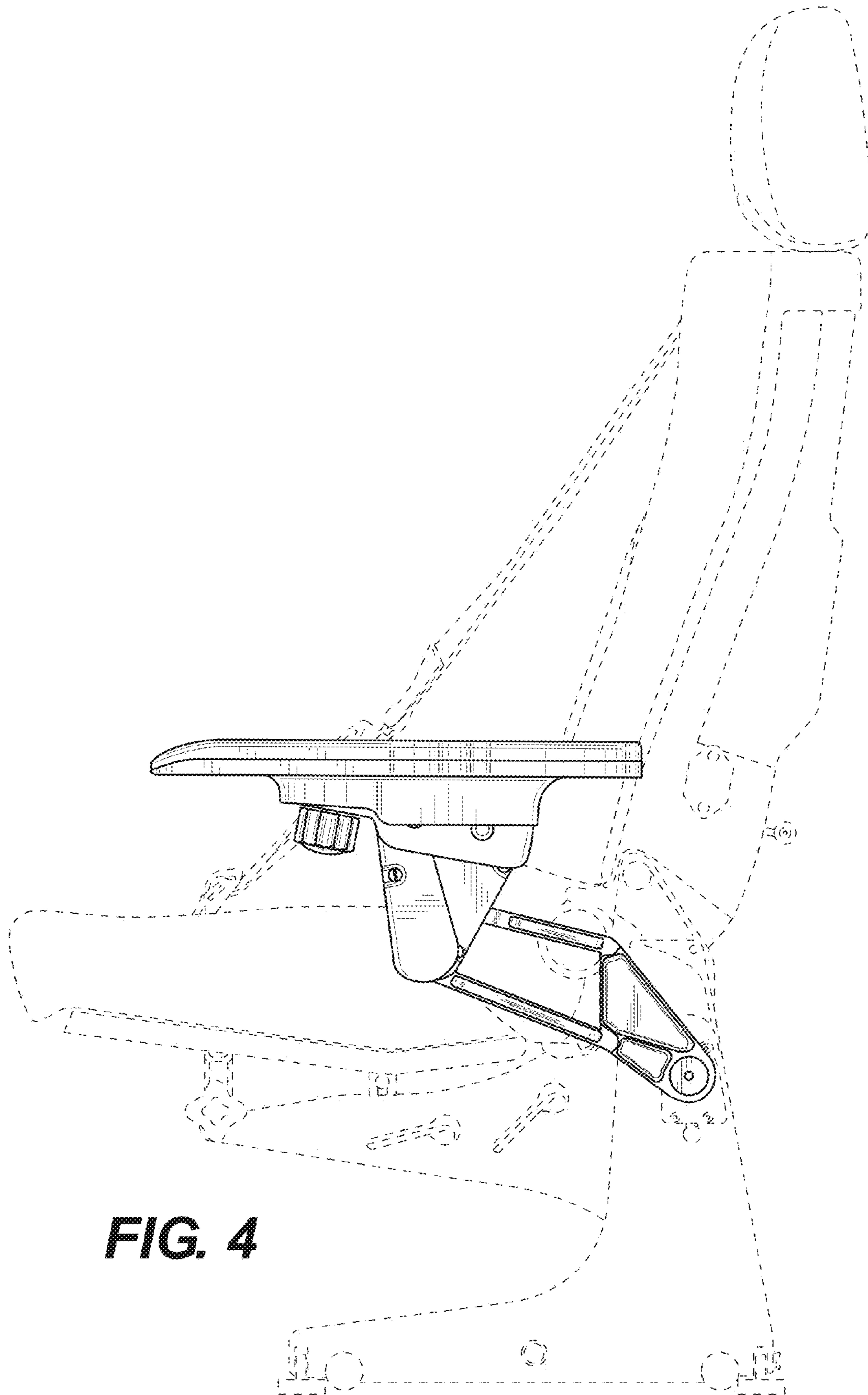


FIG. 4

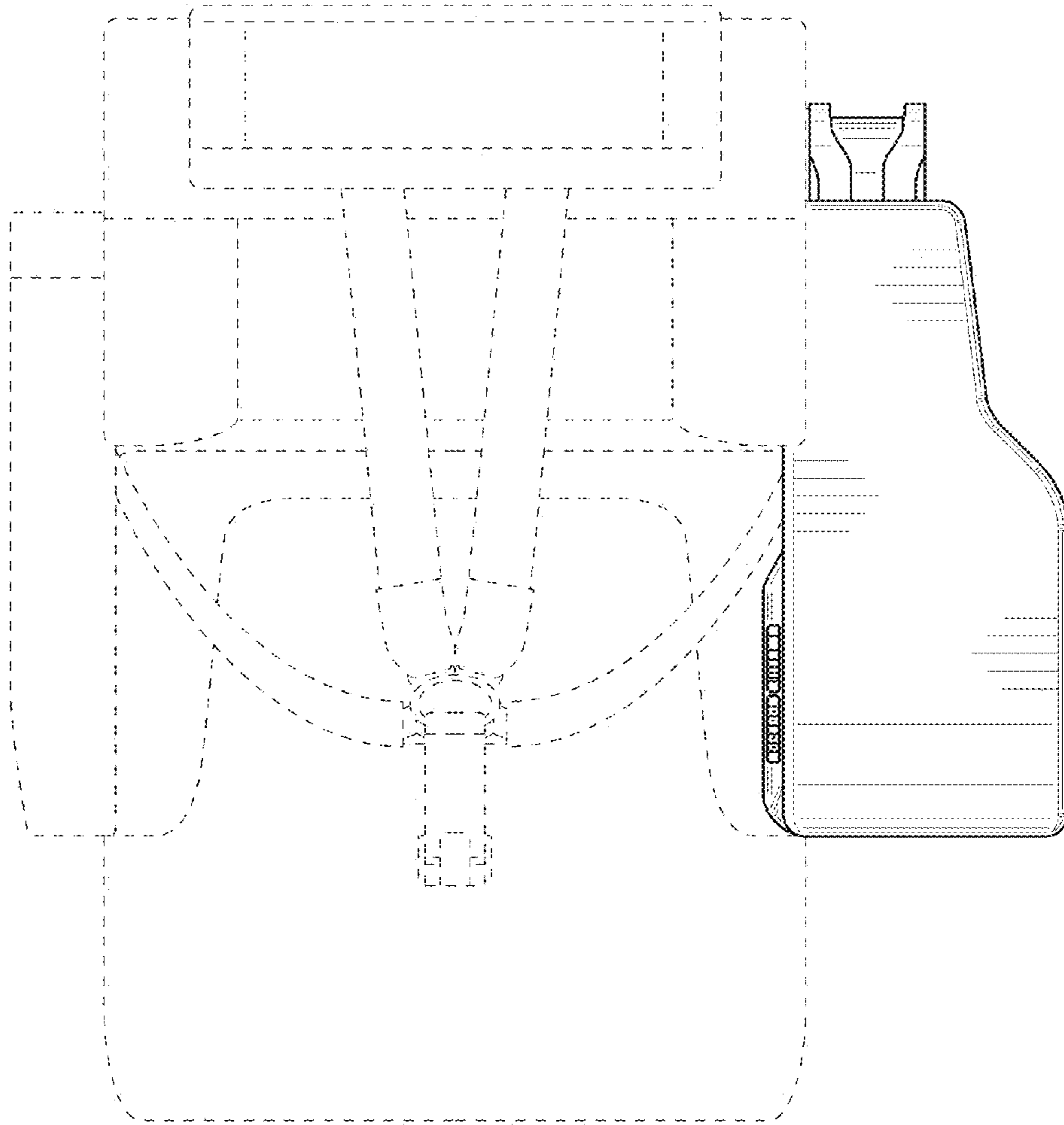


FIG. 5

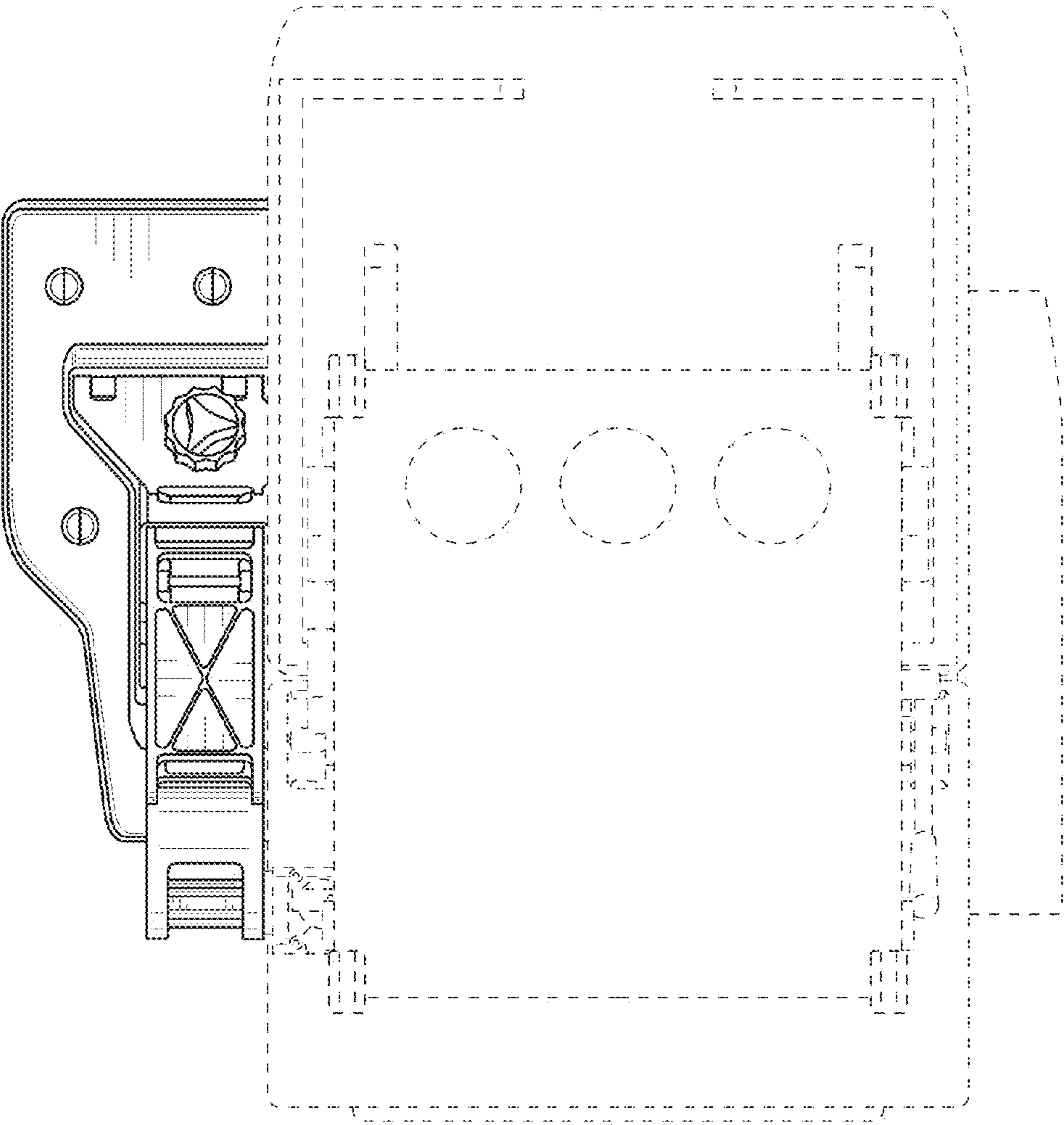


FIG. 6

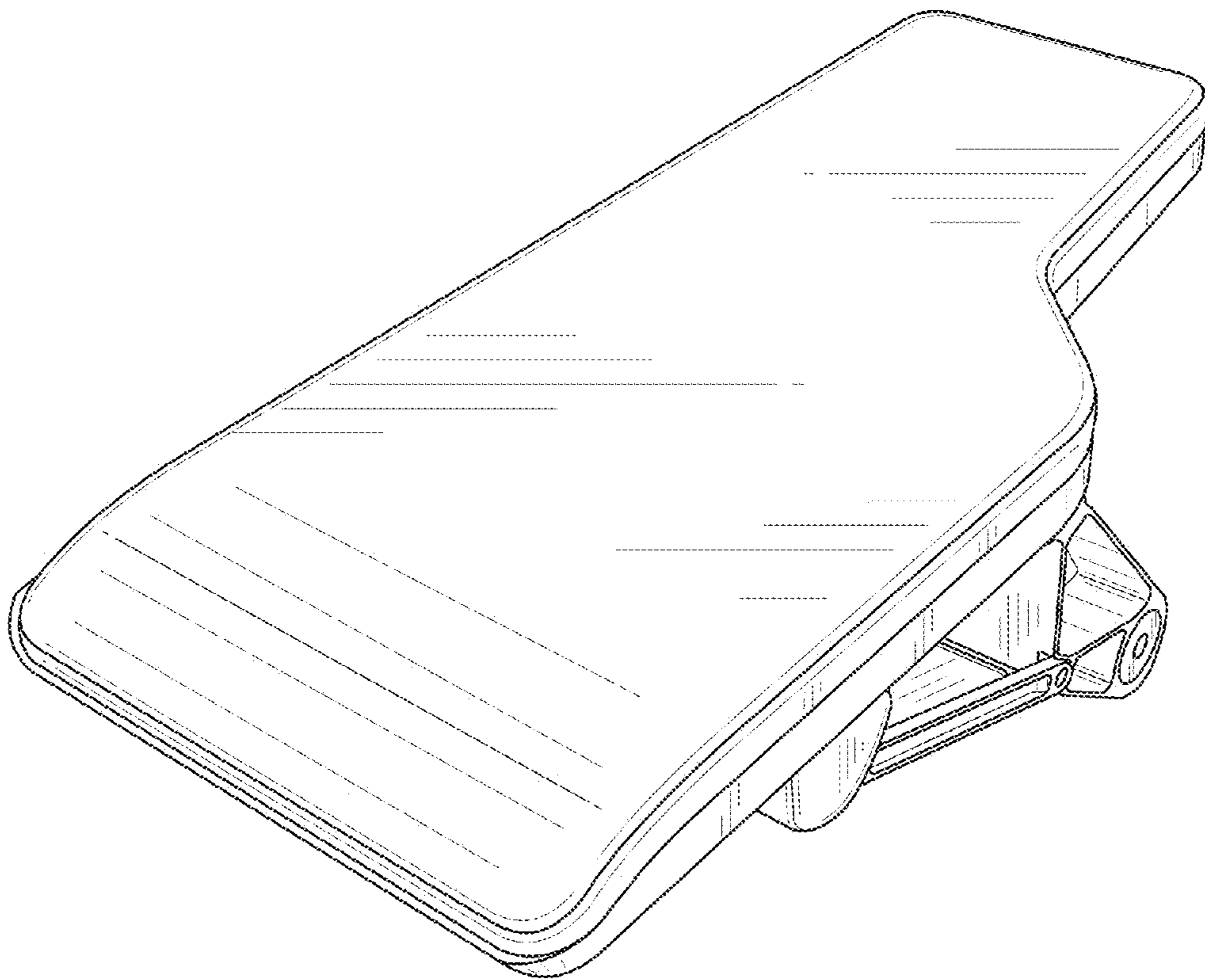


FIG. 7

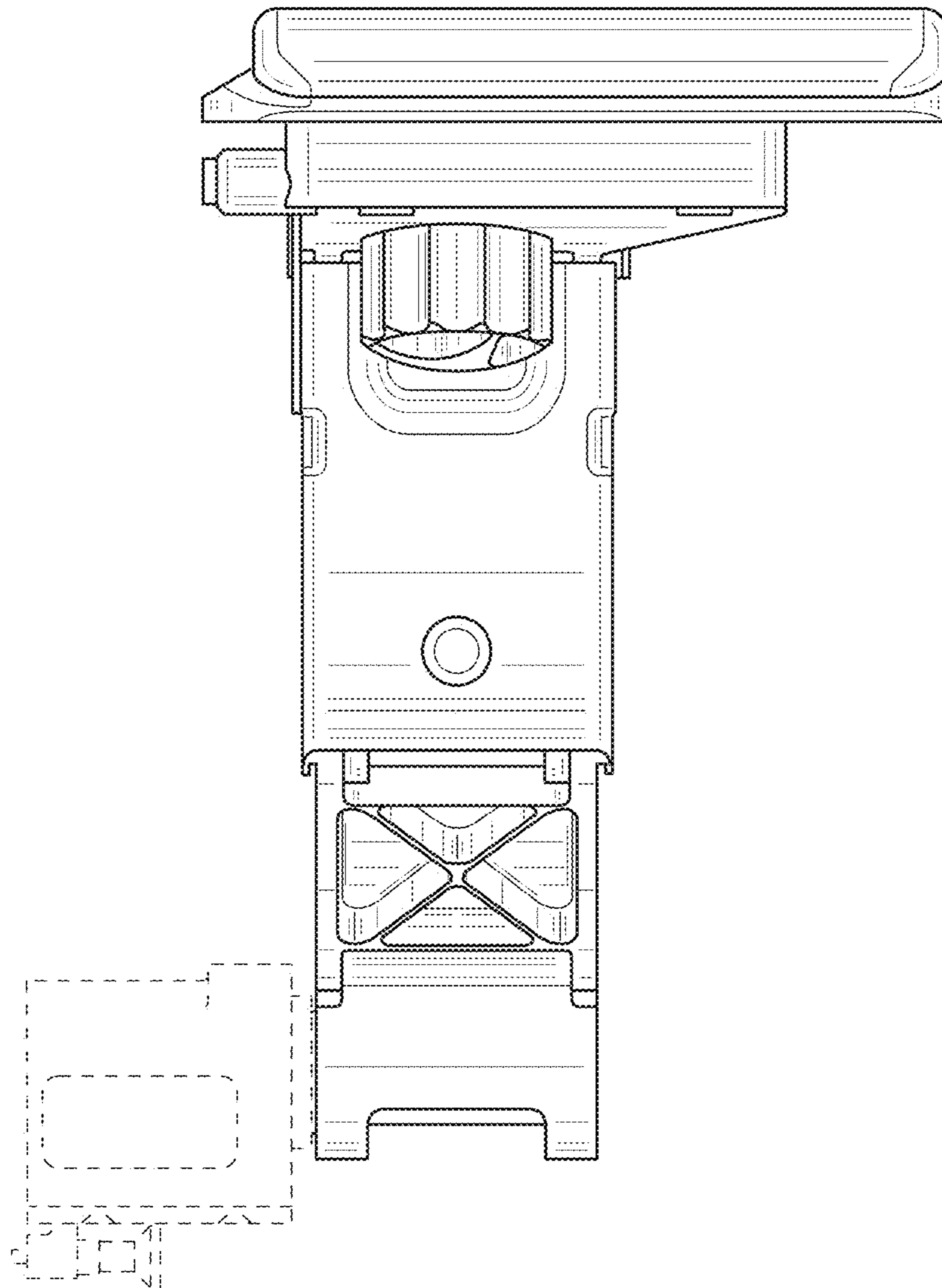


FIG. 8

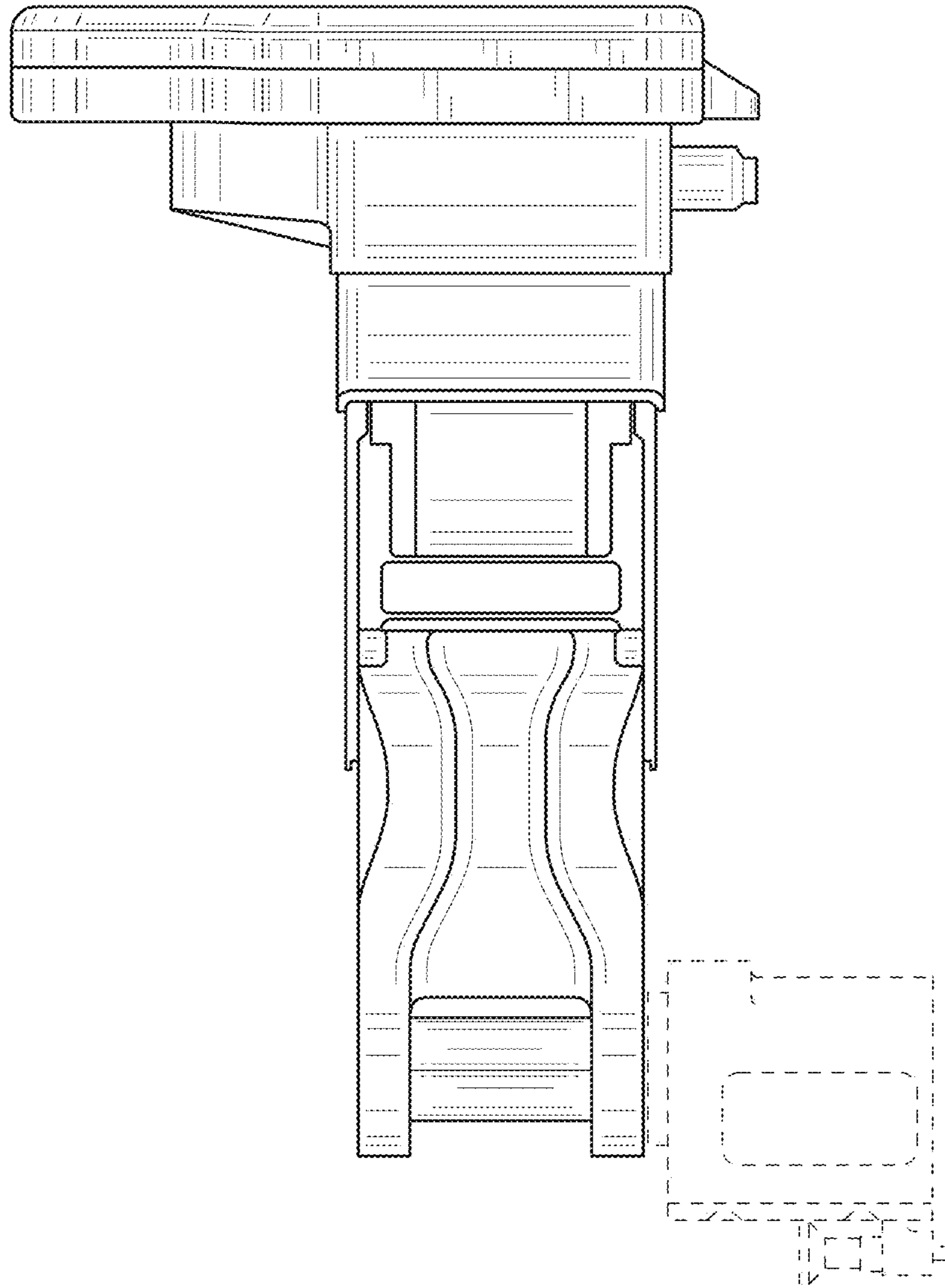


FIG. 9

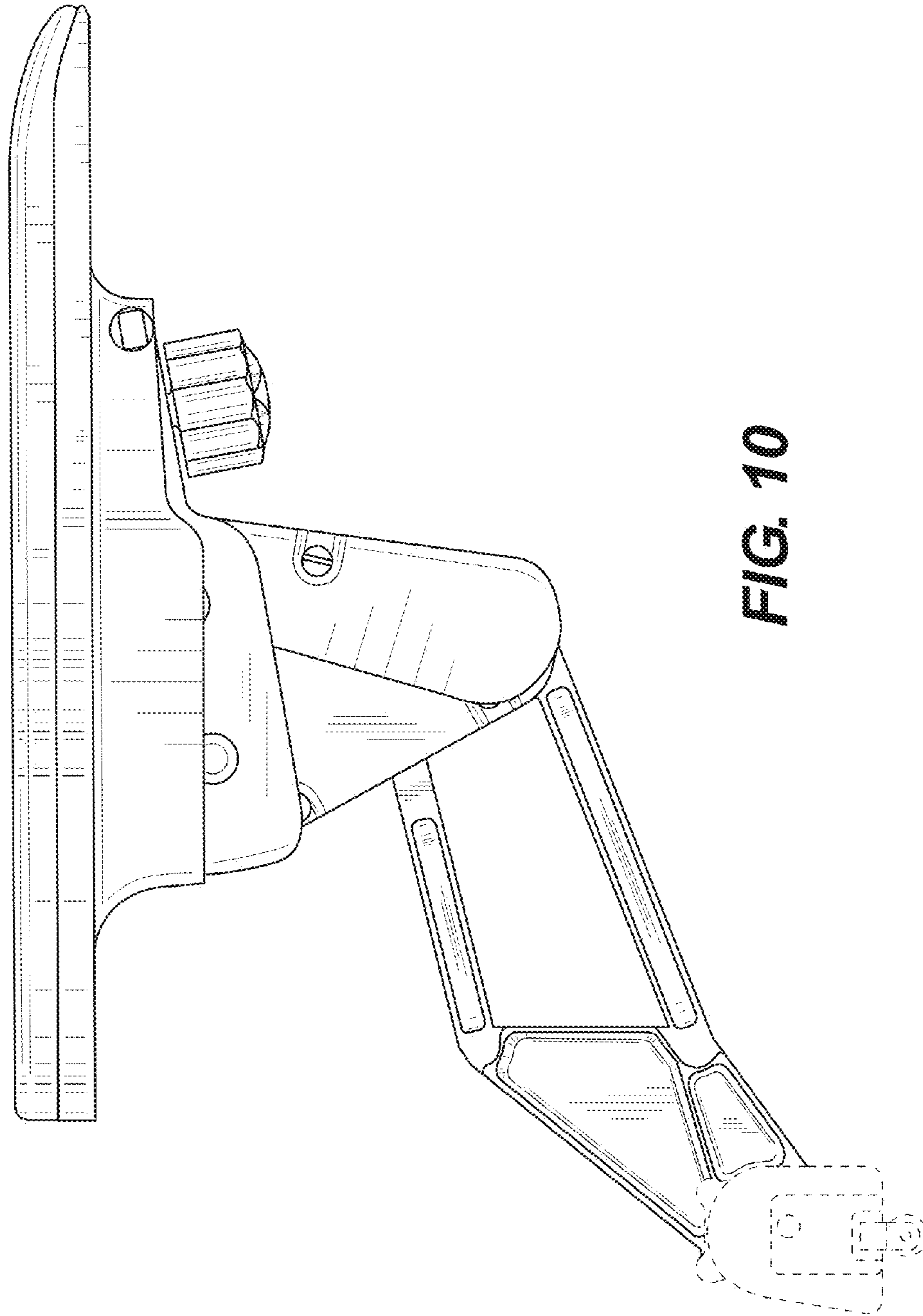


FIG. 10

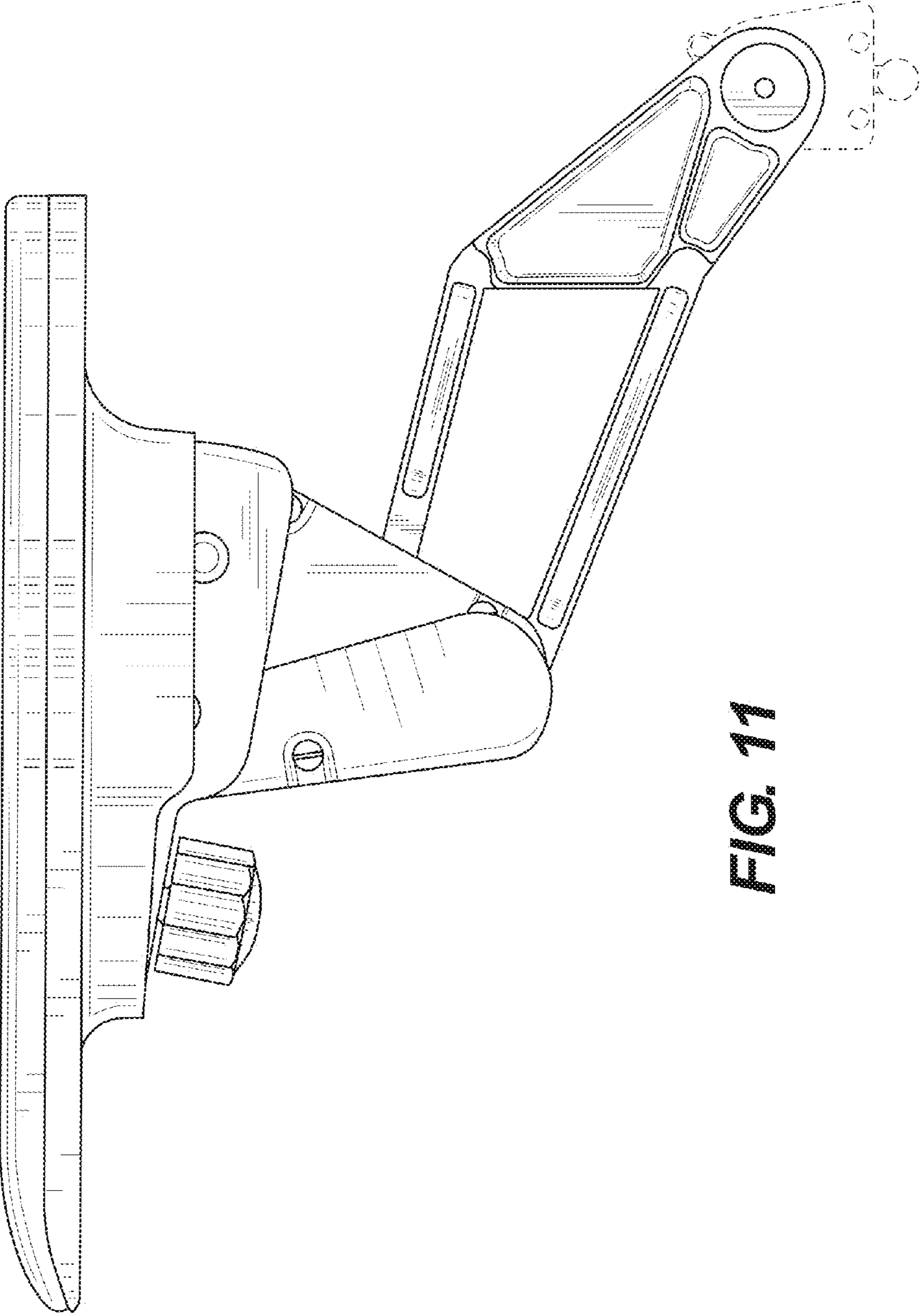


FIG. 11

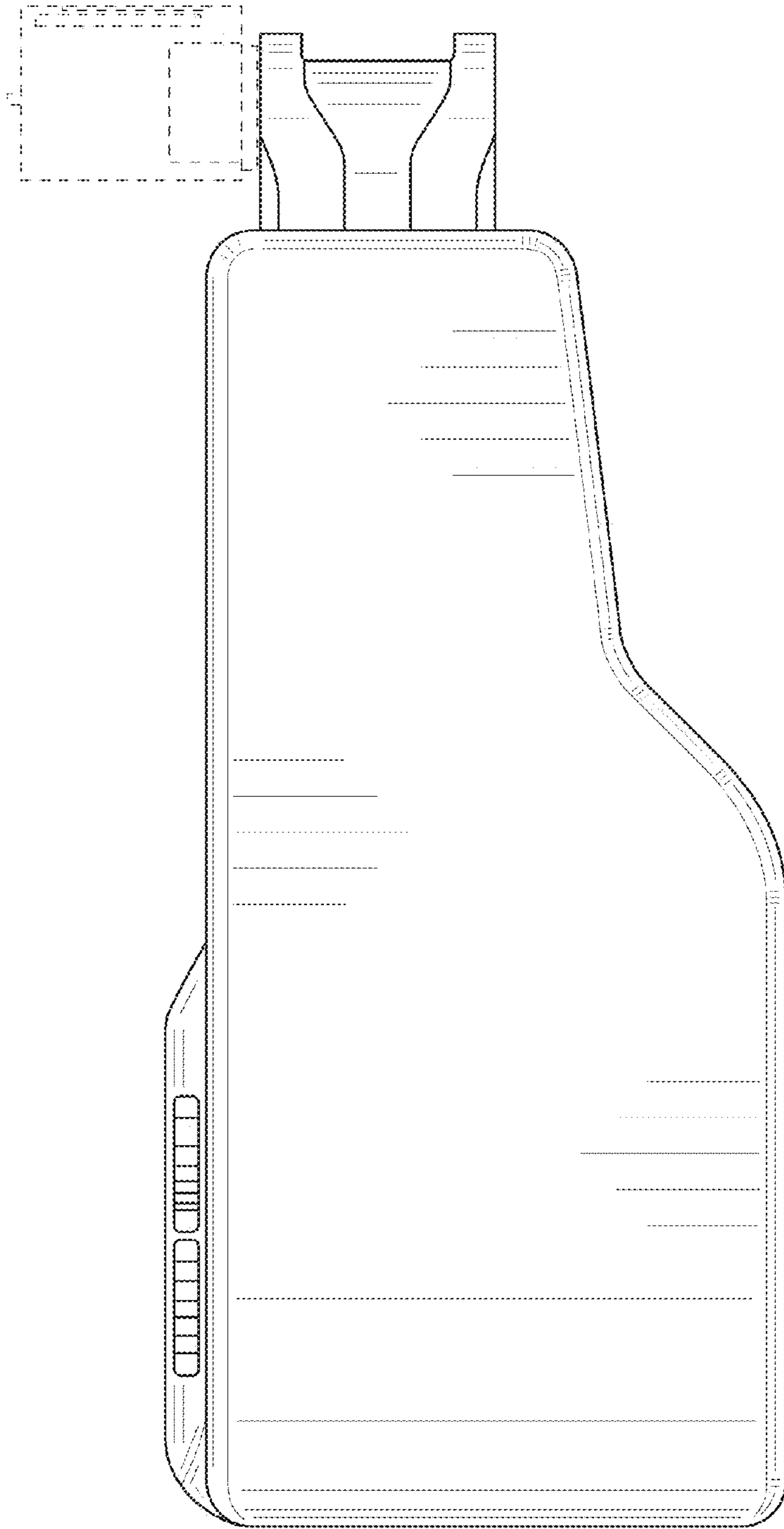


FIG. 12

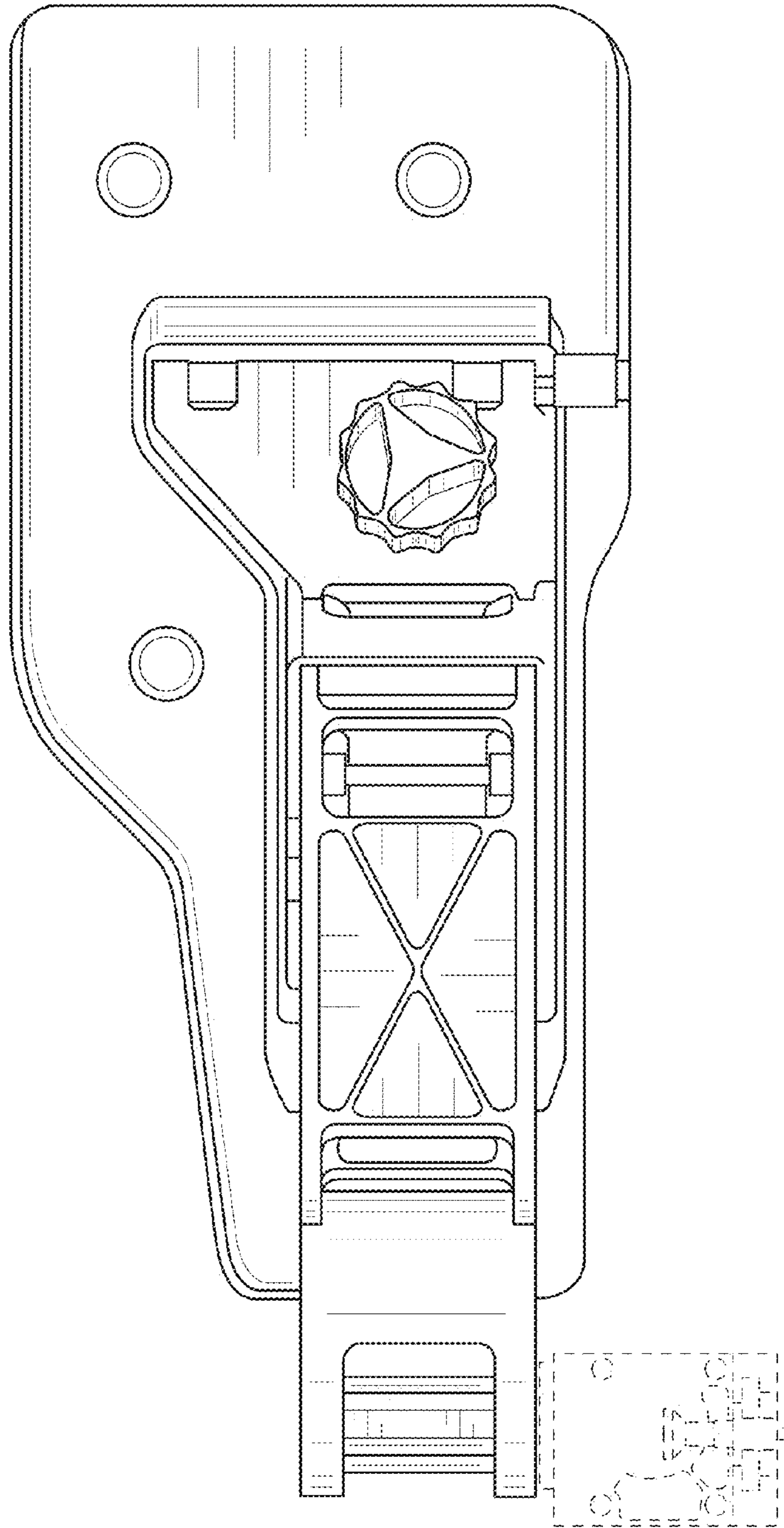


FIG. 13