



US00D758951S

(12) **United States Design Patent**  
**Unterlechner**

(10) **Patent No.:** **US D758,951 S**  
(45) **Date of Patent:** **\*\* Jun. 14, 2016**

- (54) **DASHBOARD MOUNT FOR AN ELECTRONIC DEVICE**
- (71) Applicant: **Christian Walter Unterlechner, Fritzens (AT)**
- (72) Inventor: **Christian Walter Unterlechner, Fritzens (AT)**
- (\*\*) Term: **14 Years**
- (21) Appl. No.: **29/506,013**
- (22) Filed: **Oct. 12, 2014**
- (51) **LOC (10) Cl.** ..... **12-16**
- (52) **U.S. Cl.**  
USPC ..... **D12/415**
- (58) **Field of Classification Search**  
USPC ..... D12/415, 416, 417, 418, 419, 420, 400, D12/191, 106, 195, 345, 96, 99, 246  
CPC ..... B60R 7/08; B60R 7/04  
See application file for complete search history.

- D656,932 S \* 4/2012 Wikel ..... D12/415
- D676,371 S \* 2/2013 Son ..... D12/415
- D677,614 S \* 3/2013 Wheatle ..... D12/415
- D682,772 S \* 5/2013 Massaad ..... D12/415
- D689,427 S \* 9/2013 Frey ..... D12/415
- D735,112 S \* 7/2015 Deng ..... D12/415

**FOREIGN PATENT DOCUMENTS**

EM 002243824-0001 5/2013

\* cited by examiner

*Primary Examiner* — Katrina A Betton

(74) *Attorney, Agent, or Firm* — Laurence A. Greenberg; Werner H. Stemer; Ralph E. Locher

(57) **CLAIM**

I claim the ornamental design for a dashboard mount for an electronic device, as shown and described.

**DESCRIPTION**

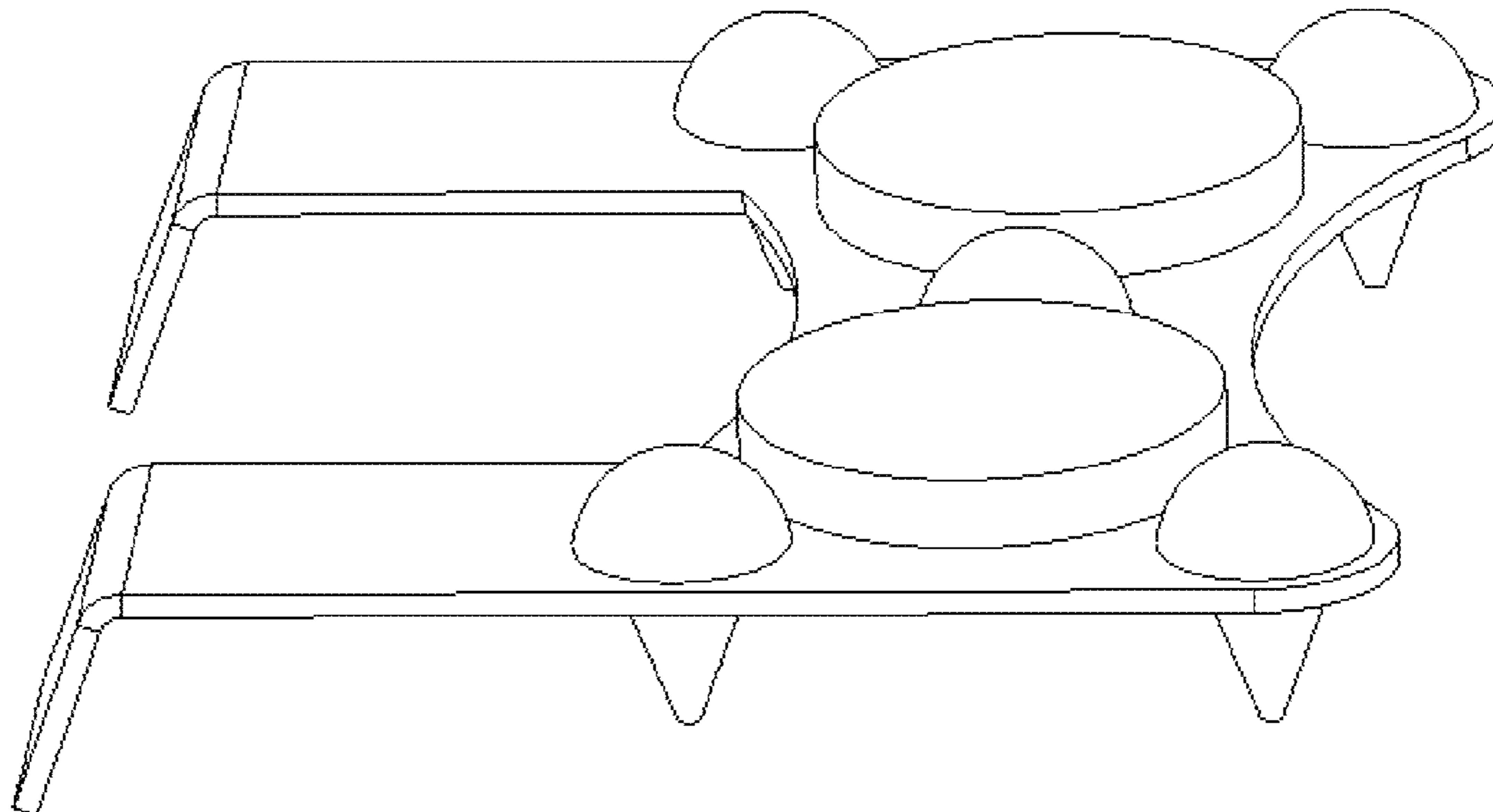
FIG. 1 is a plan view of the top of the dashboard mount for an electronic device  
 FIG. 2 is an elevation view of the front of the dashboard mount for an electronic device  
 FIG. 3 is an elevation view of right side of the dashboard mount for an electronic device; and,  
 FIG. 4 is an isometric view, from the front right of the dashboard mount for an electronic device.

**1 Claim, 4 Drawing Sheets**

(56) **References Cited**

**U.S. PATENT DOCUMENTS**

- D587,188 S \* 2/2009 Mo ..... D12/415
- D592,206 S \* 5/2009 O'Brien ..... D12/415
- D603,322 S \* 11/2009 Nicieja ..... D12/415



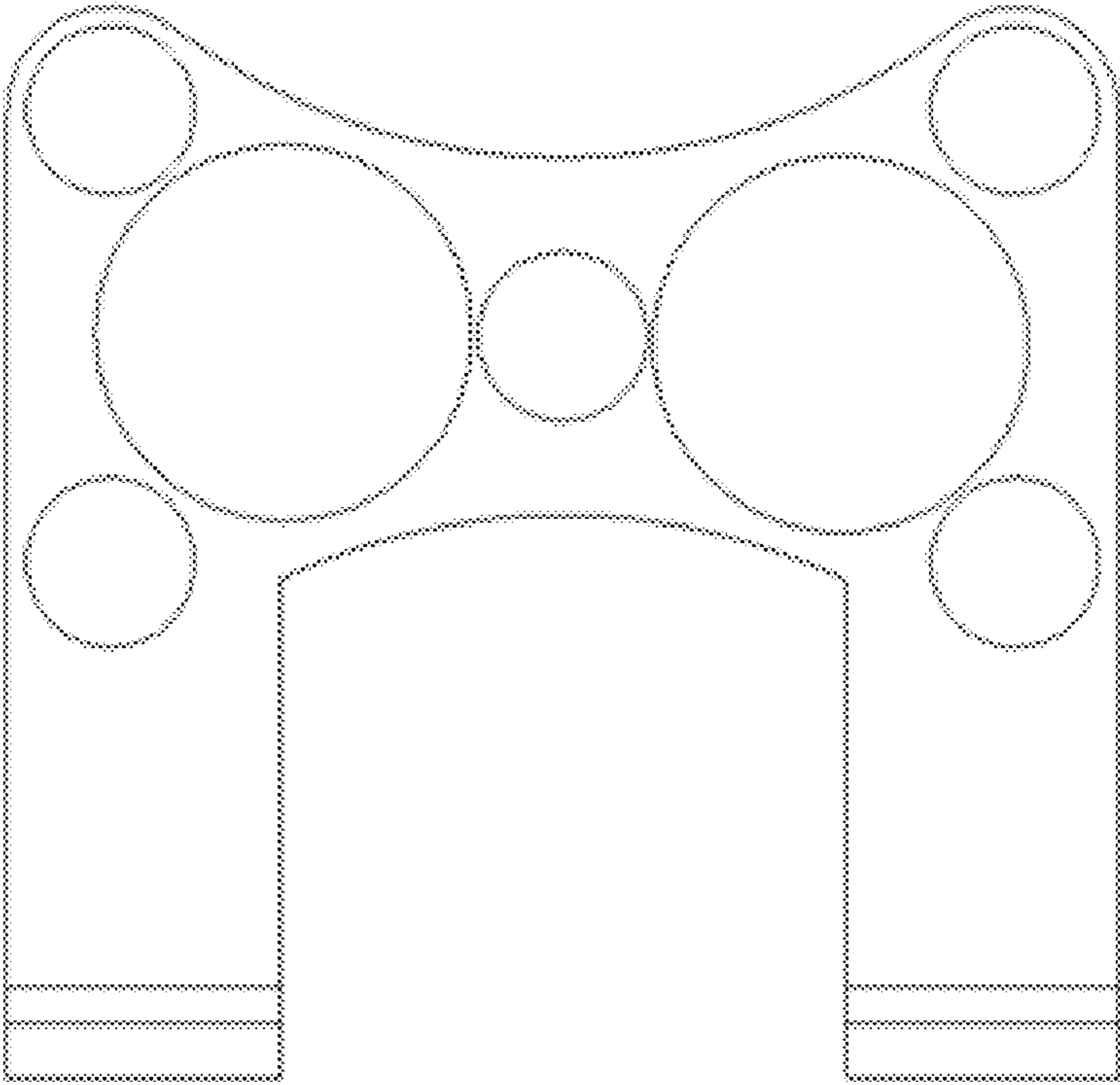


Fig. 1

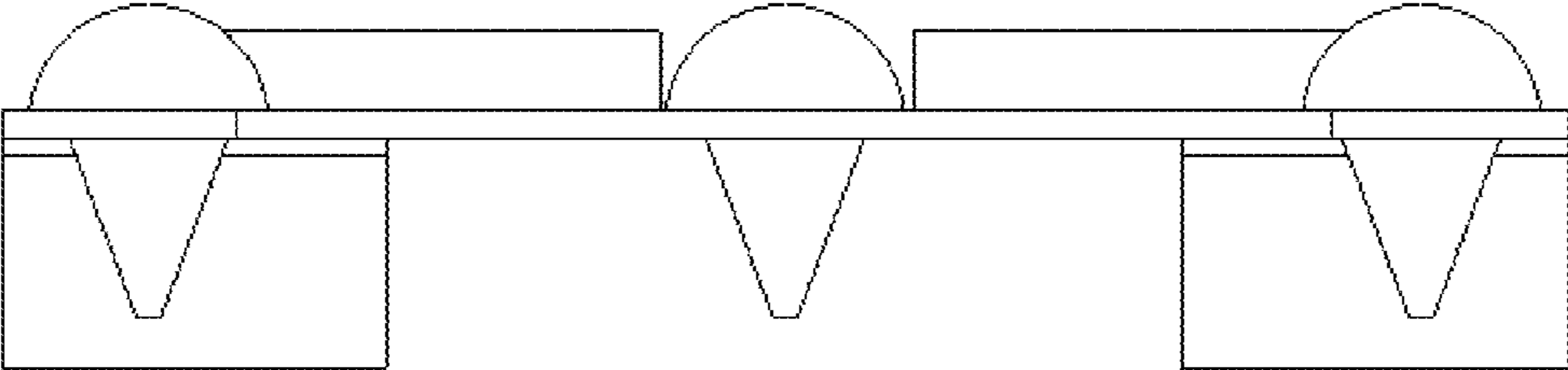


Fig. 2

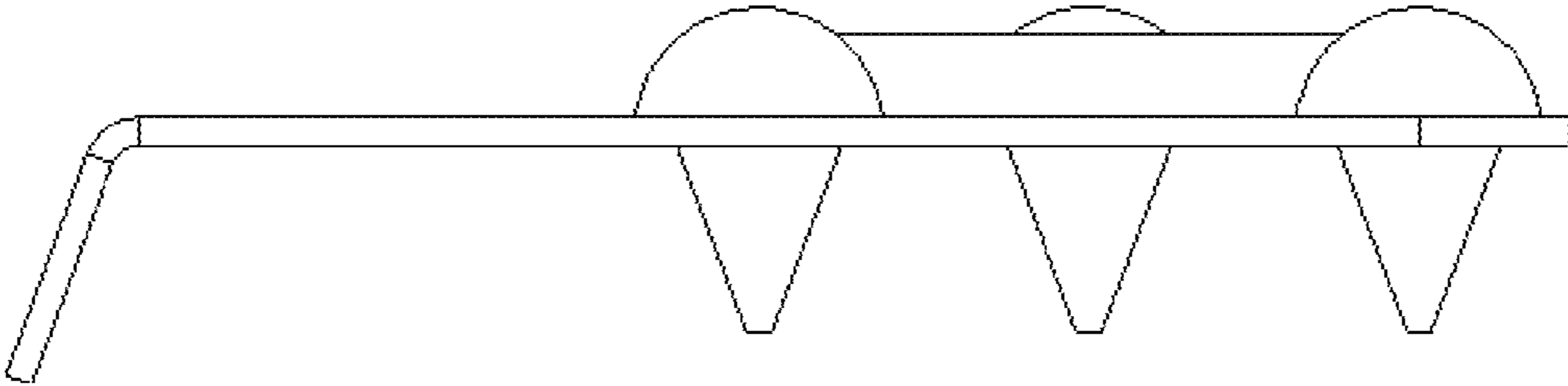


Fig. 3

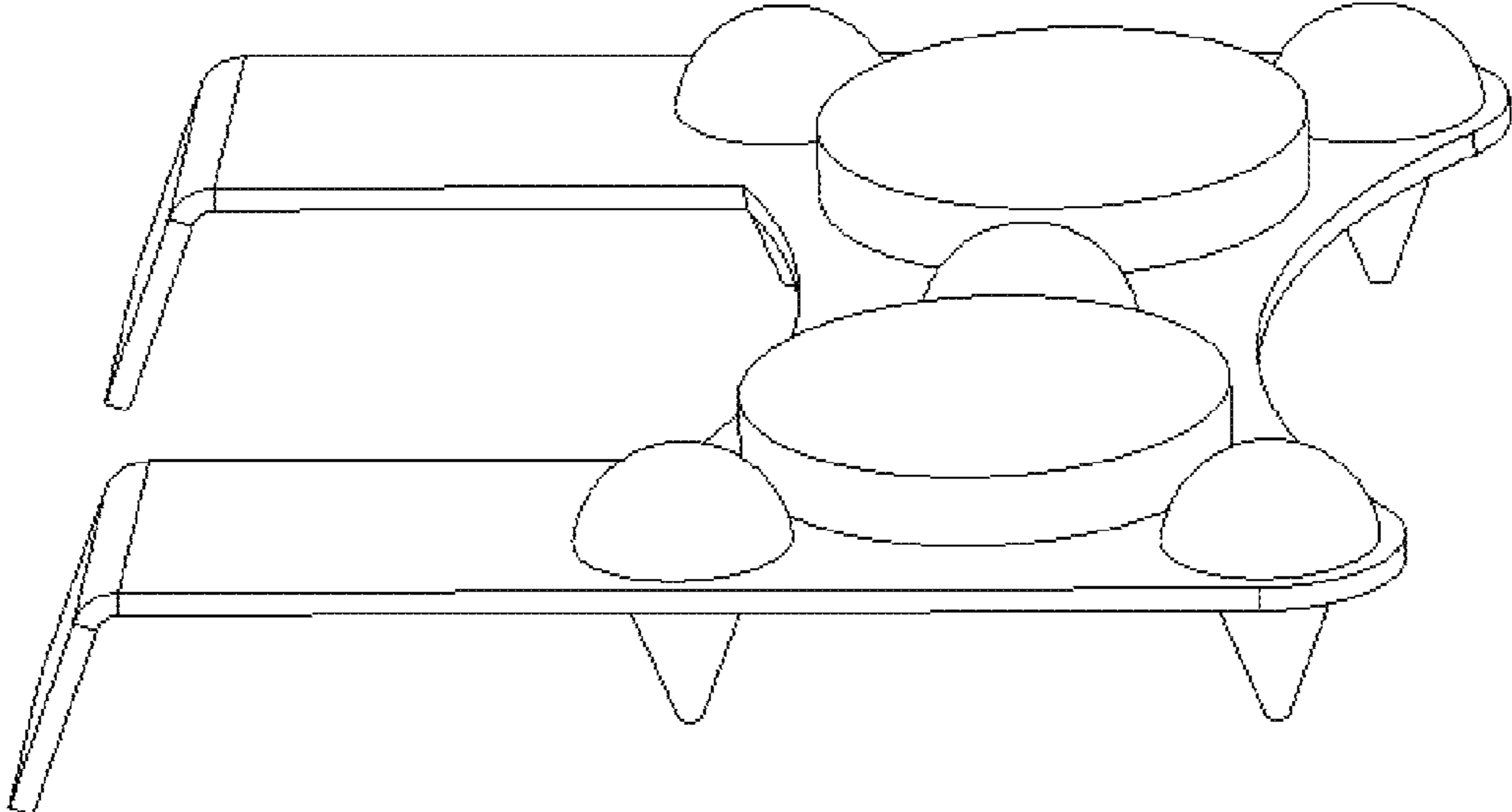


Fig. 4