

US00D758947S

(12) **United States Design Patent**
Zhao

(10) **Patent No.:** **US D758,947 S**
(45) **Date of Patent:** **** Jun. 14, 2016**

- (54) **AUTOMOBILE WHEEL**
- (71) Applicant: **John Zhao**, Monterey Park, CA (US)
- (72) Inventor: **John Zhao**, Monterey Park, CA (US)
- (73) Assignee: **Wah Hung Group Inc.**, Monterey Park, CA (US)
- (**) Term: **14 Years**
- (21) Appl. No.: **29/504,590**
- (22) Filed: **Oct. 7, 2014**
- (51) **LOC (10) Cl.** **12-16**
- (52) **U.S. Cl.**
USPC **D12/211**
- (58) **Field of Classification Search**
USPC D12/204-213; 301/37.101, 64.101, 65
See application file for complete search history.

- D507,224 S * 7/2005 Pfeiffer D12/211
- D520,434 S * 5/2006 Fahr-Becker D12/211
- D520,435 S * 5/2006 Kulla D12/211
- D522,439 S * 6/2006 Laengerer D12/211
- D522,950 S * 6/2006 Pfeiffer D12/211
- D713,313 S * 9/2014 Stucki D12/209
- D726,617 S * 4/2015 Dingle D12/209
- D726,618 S * 4/2015 Dingle D12/209

* cited by examiner

Primary Examiner — Ian Simmons
Assistant Examiner — Samantha Q Lawrence
(74) *Attorney, Agent, or Firm* — Adli Law Group P.C.

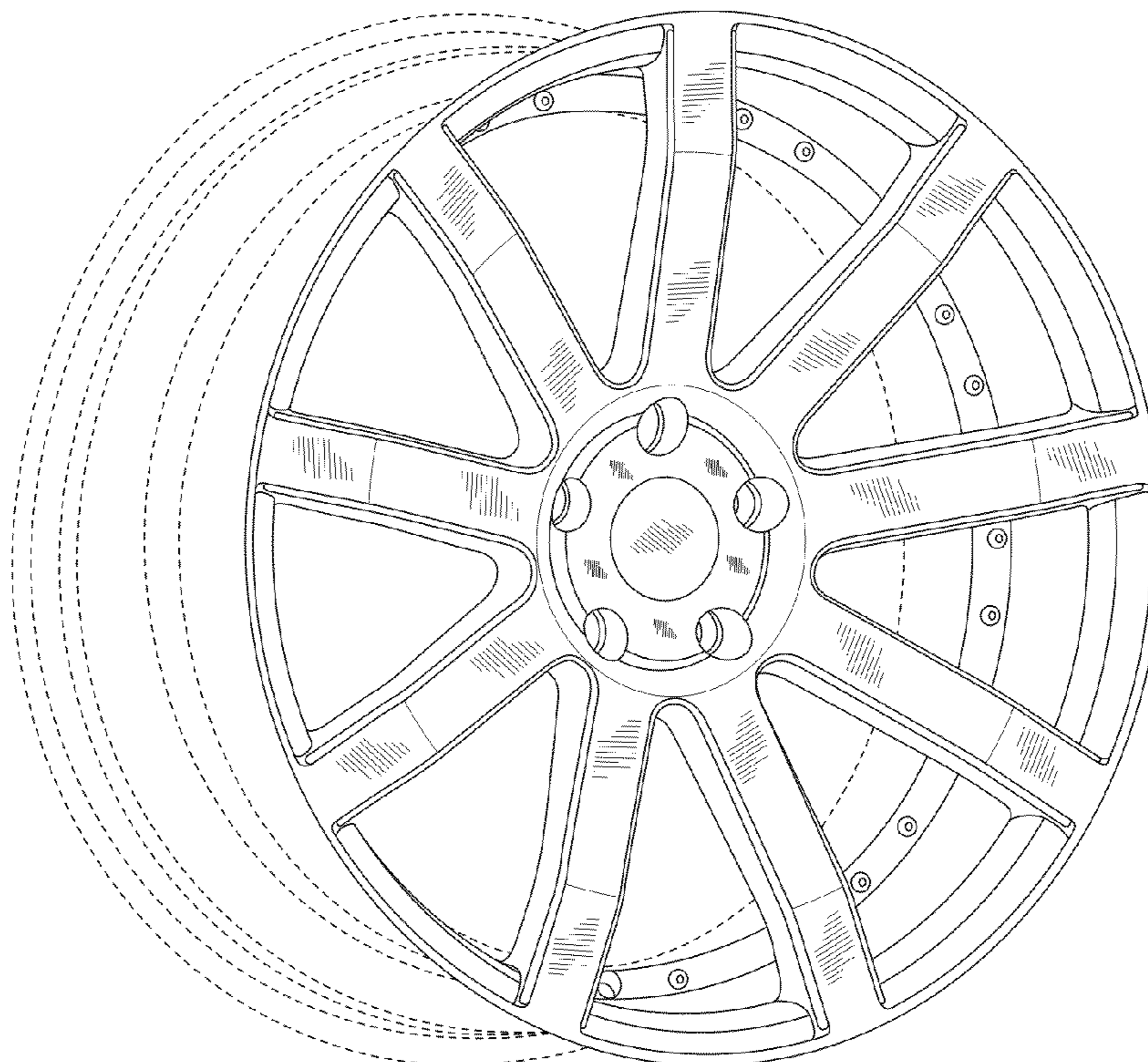
(57) **CLAIM**
I claim the ornamental design for an automobile wheel, as shown and described.

DESCRIPTION

FIG. 1 is a perspective view of an automobile wheel according to the claimed design; and, FIG. 2 is a front elevational view of the automobile wheel according to the claimed design. The ornamental design which is claimed is shown in solid lines in the drawings. The broken lines shown in FIG. 1 illustrate portions of the automobile wheel that form no part of the claimed design.

1 Claim, 2 Drawing Sheets

- (56) **References Cited**
U.S. PATENT DOCUMENTS
898,280 A * 9/1908 Snell B60C 7/14
152/209.12
1,407,252 A * 2/1922 Calhoun B60B 1/00
301/64.202
D487,569 S * 3/2004 Laengerer D12/211



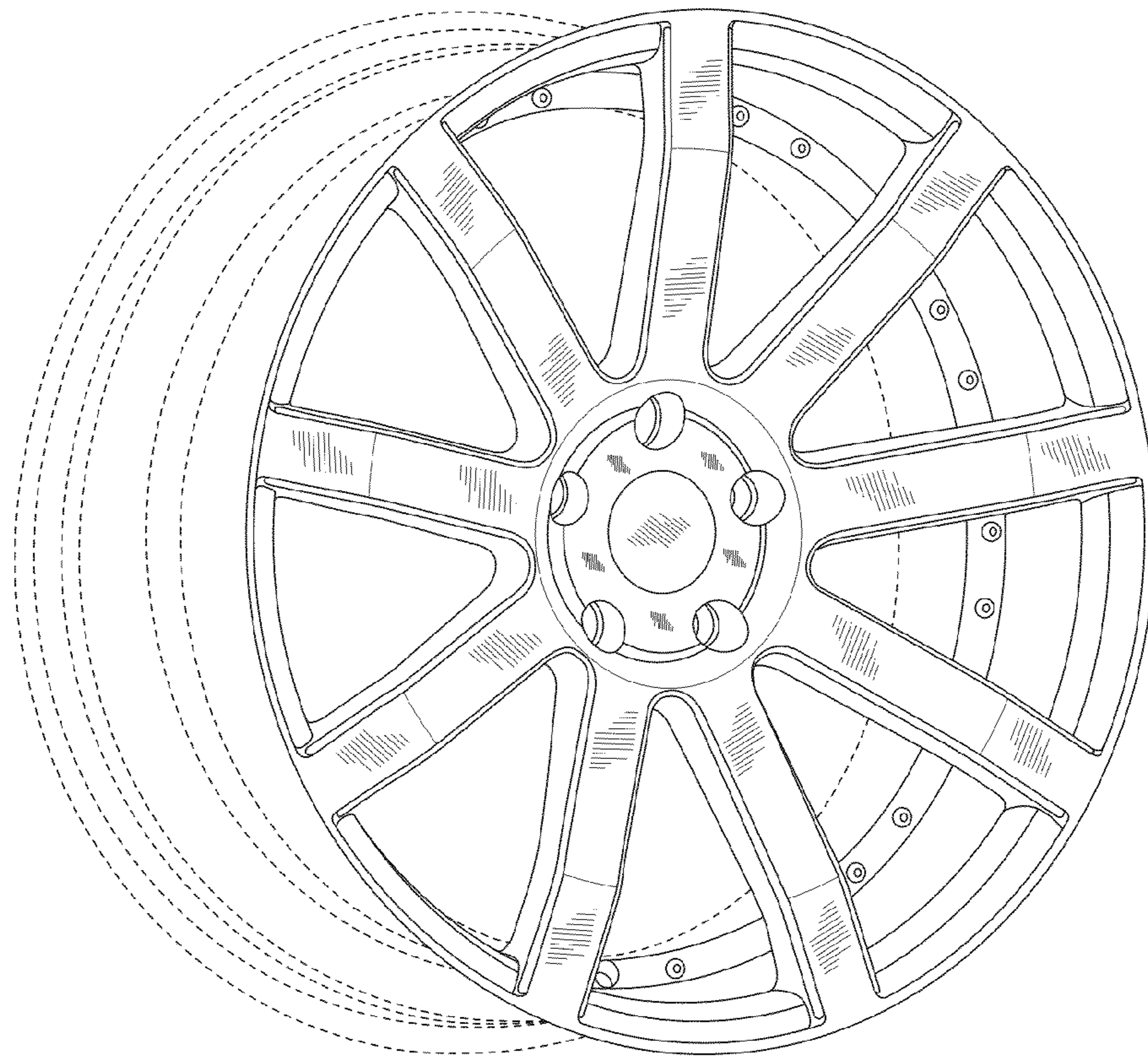


FIG. 1

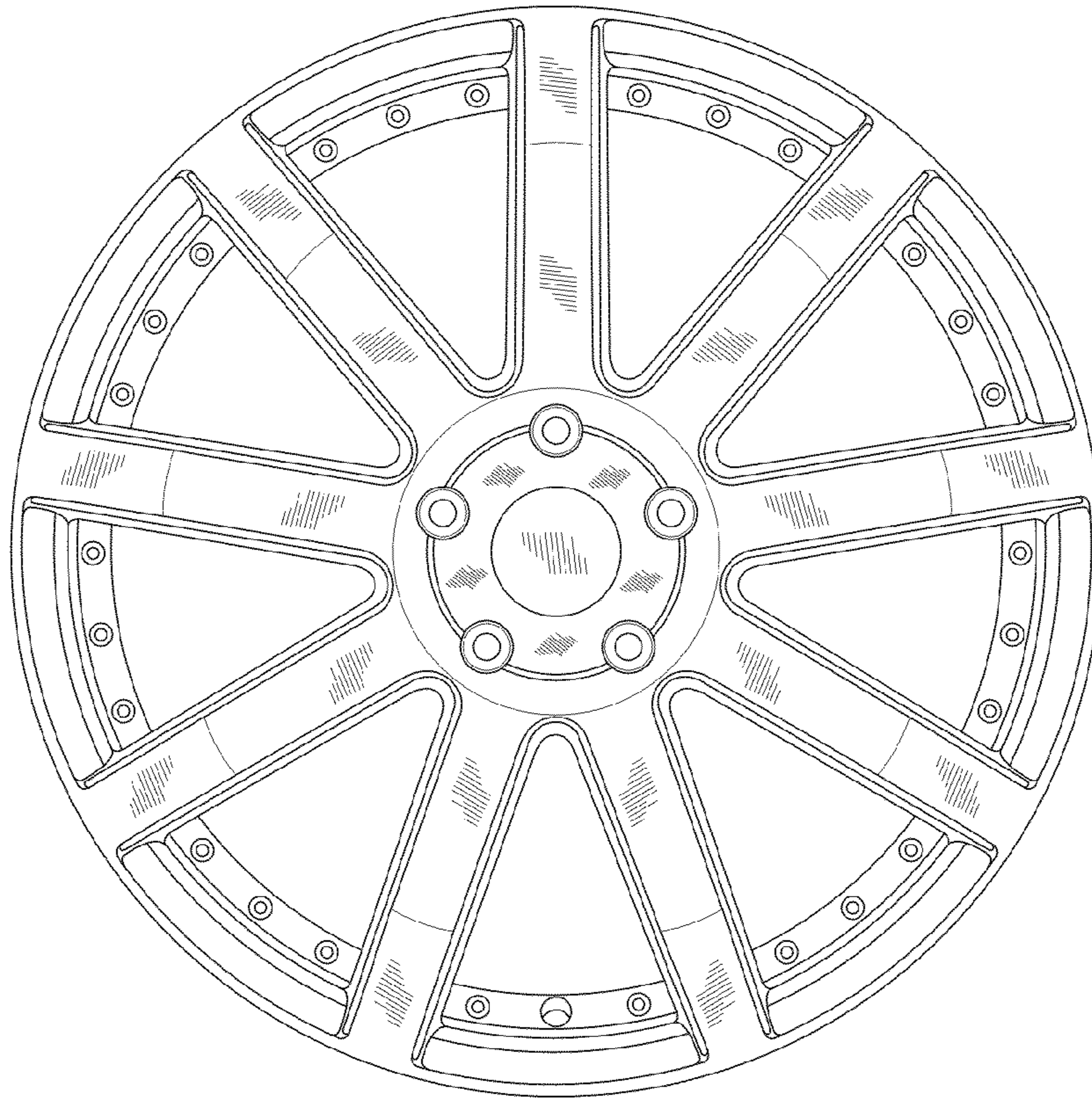


FIG. 2