



US00D758946S

(12) **United States Design Patent**
Zhao

(10) **Patent No.:** **US D758,946 S**
(45) **Date of Patent:** **** Jun. 14, 2016**

- (54) **AUTOMOBILE WHEEL**
- (71) Applicant: **John Zhao**, Monterey Park, CA (US)
- (72) Inventor: **John Zhao**, Monterey Park, CA (US)
- (73) Assignee: **Wah Hung Group Inc.**, Monterey Park, CA (US)
- (**) Term: **14 Years**
- (21) Appl. No.: **29/503,758**
- (22) Filed: **Sep. 29, 2014**
- (51) **LOC (10) Cl.** **12-16**
- (52) **U.S. Cl.**
USPC **D12/211**
- (58) **Field of Classification Search**
USPC D12/204-213; 301/37.101, 64.101, 65
See application file for complete search history.

D543,923 S *	6/2007	Hieke	D12/211
D593,017 S *	5/2009	Antoniadis	D12/209
D681,539 S *	5/2013	Zhao	D12/211
D720,274 S *	12/2014	Mielke	D12/211
D731,388 S *	6/2015	Gotschke	D12/211
2014/0191564 A1 *	7/2014	Gebeau	B60B 15/00 301/37.101

* cited by examiner

Primary Examiner — Ian Simmons
Assistant Examiner — Samantha Q Lawrence
(74) *Attorney, Agent, or Firm* — Adli Law Group P.C.

(57) **CLAIM**

I claim the ornamental design for an automobile wheel, as shown and described.

DESCRIPTION

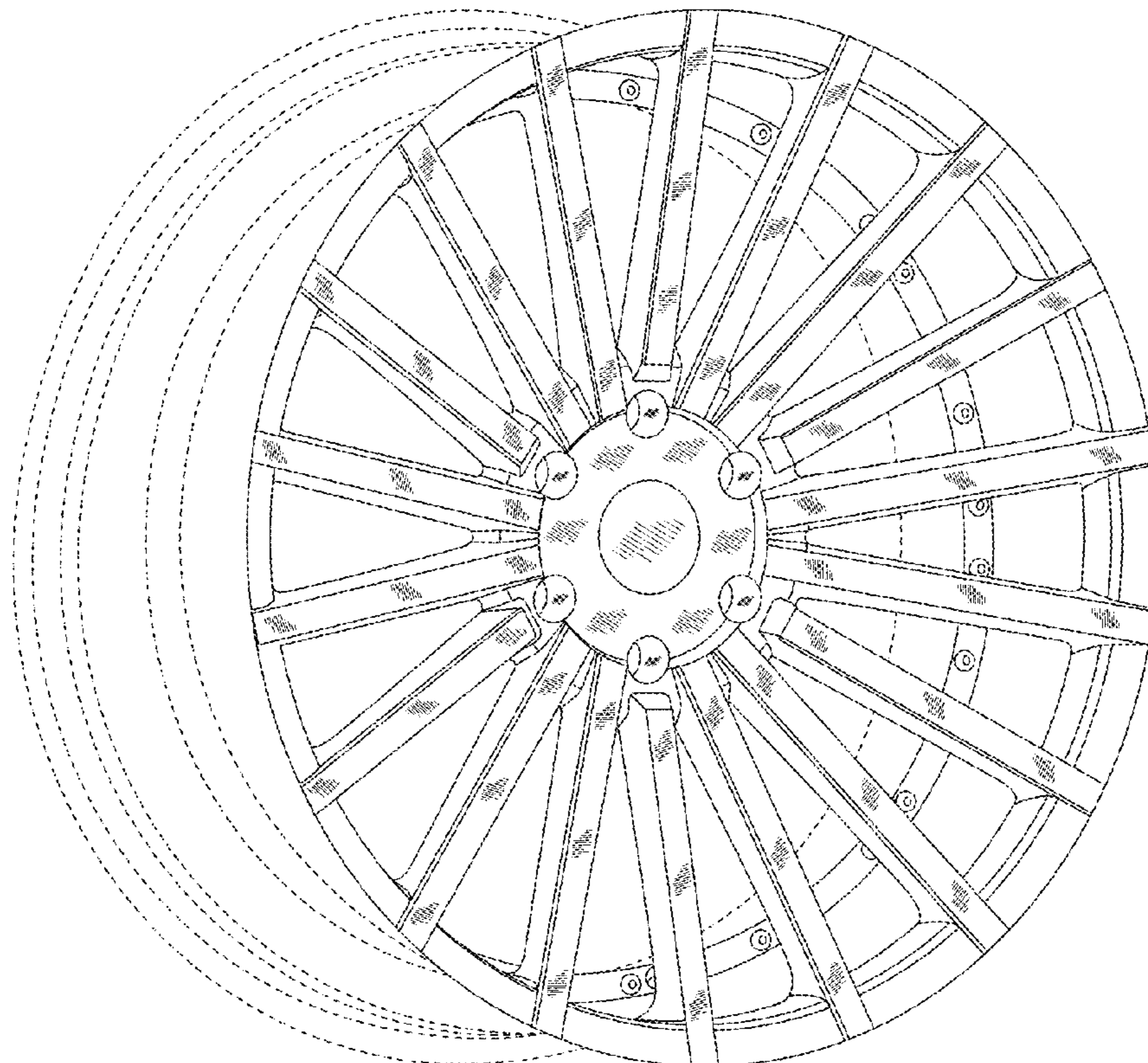
FIG. 1 is a perspective view of an automobile wheel according to the claimed design; and, FIG. 2 is a front elevational view of the automobile wheel according to the claimed design. The ornamental design which is claimed is shown in solid lines in the drawings. The broken lines shown in FIG. 1 illustrate portions of the automobile wheel that form no part of the claimed design.

1 Claim, 2 Drawing Sheets

(56) **References Cited**

U.S. PATENT DOCUMENTS

1,560,384 A *	11/1925	James	B60S 1/68 280/855
D236,198 S *	8/1975	Clary	D12/16
D294,821 S *	3/1988	Danbom	D12/211
D516,489 S *	3/2006	Alonso	D12/211



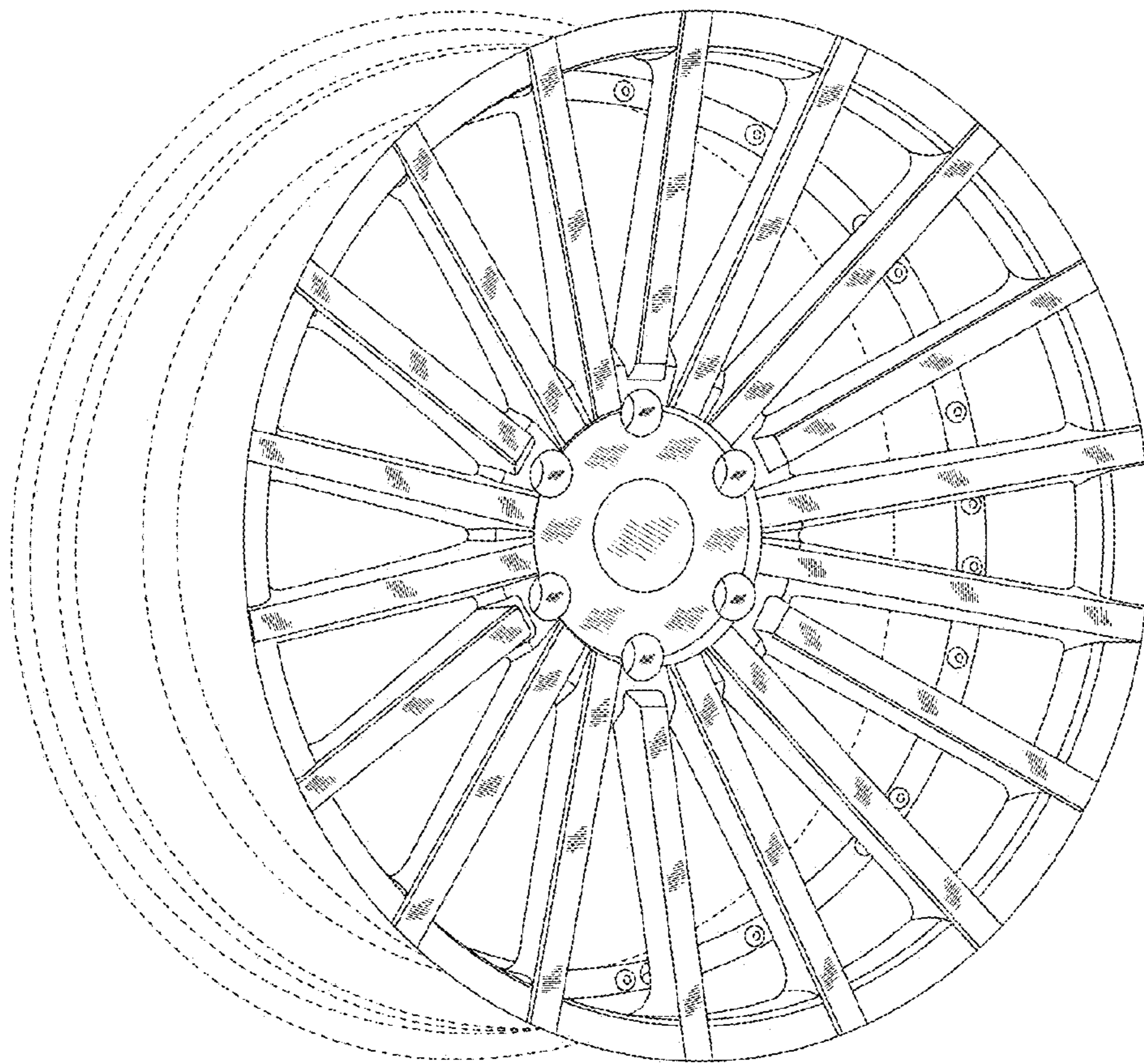


FIG. 1

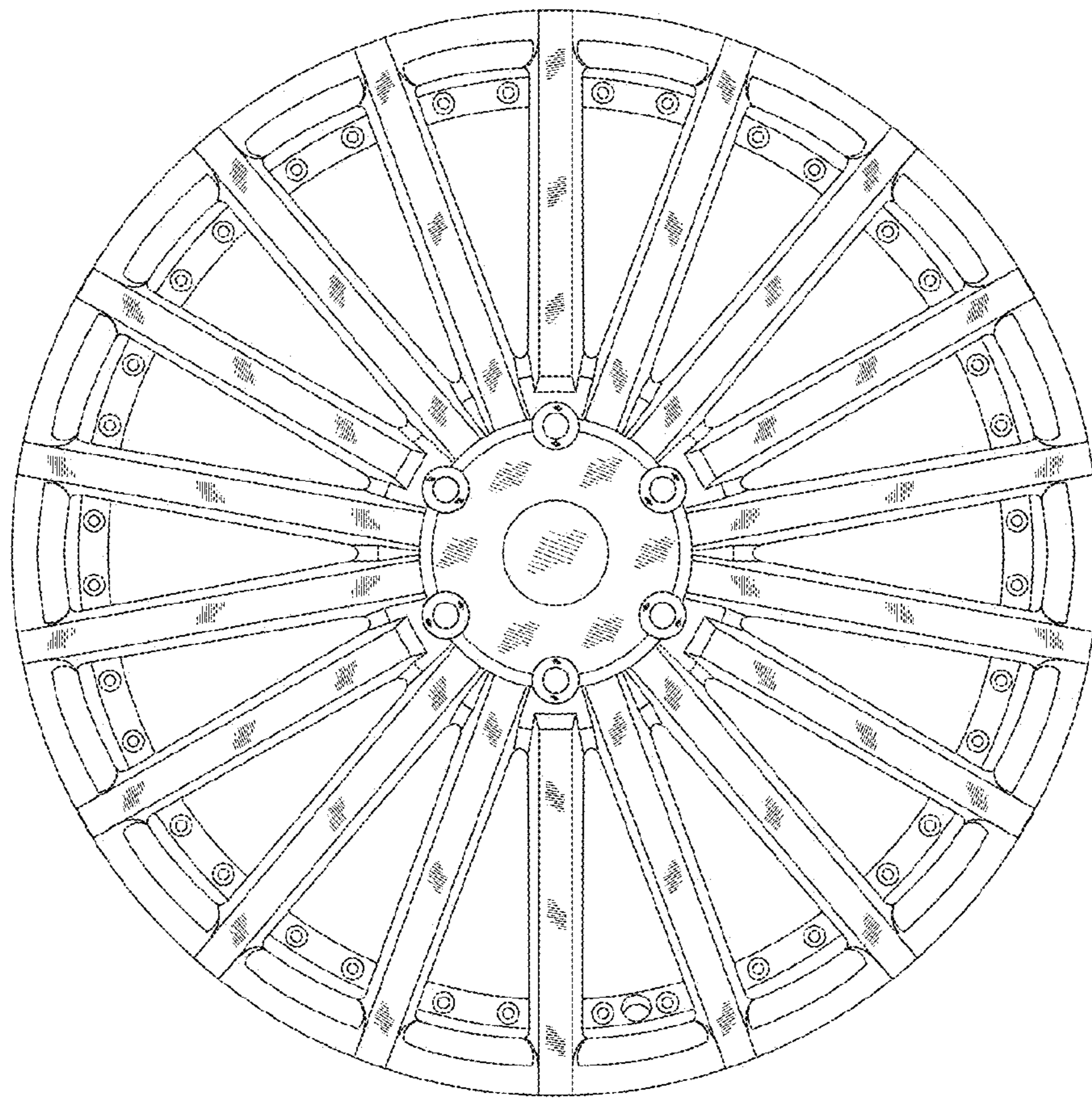


FIG. 2