



US00D758944S

(12) **United States Design Patent**
Rolfs et al.

(10) **Patent No.:** **US D758,944 S**
(45) **Date of Patent:** **** Jun. 14, 2016**

- (54) **AUTOMOBILE WHEEL**
- (71) Applicants: **Jeremy Rolfs**, Sylvan Lake, MI (US);
David Scott, Clinton Township, MI (US); **Mark C Trostle**, Rochester, MI (US)
- (72) Inventors: **Jeremy Rolfs**, Sylvan Lake, MI (US);
David Scott, Clinton Township, MI (US); **Mark C Trostle**, Rochester, MI (US)
- (73) Assignee: **FCA US LLC**, Auburn Hills, MI (US)
- (**) Term: **14 Years**
- (21) Appl. No.: **29/517,191**
- (22) Filed: **Feb. 11, 2015**
- (51) **LOC (10) Cl.** **12-16**
- (52) **U.S. Cl.**
USPC **D12/209**
- (58) **Field of Classification Search**
USPC D12/204–213
CPC B60B 7/00; B60B 7/02; B60B 7/04;
B60B 7/01; B60B 7/06; B60B 3/02; B60B 3/04;
B60B 3/06; B60B 3/10; B60B 1/00;
B60B 1/08; B60B 1/10; B60B 1/12
See application file for complete search history.

- (56) **References Cited**
U.S. PATENT DOCUMENTS

D83,715 S	*	3/1931	Bentley	D12/211
D88,510 S	*	12/1932	Eksergian	D12/209
D236,610 S	*	9/1975	Clement	D12/209
D237,703 S	*	11/1975	Clement et al.	D12/211
D248,551 S	*	7/1978	Sekido	D12/211
D248,749 S	*	8/1978	Siroonian	D12/211

D339,561 S	*	9/1993	Maiworm	D12/211
D384,629 S	*	10/1997	Nagashima	D12/209
D393,239 S	*	4/1998	Schmid	D12/209
D393,825 S	*	4/1998	Fike	D12/209
D401,899 S	*	12/1998	Pfeiffer	D12/209
D408,775 S	*	4/1999	Shikado	D12/209
D408,776 S	*	4/1999	Sacco	D12/209
D446,179 S	*	8/2001	Sinkwitz	D12/209
D480,675 S	*	10/2003	Pfeiffer	D12/211
D495,648 S	*	9/2004	Kang	D12/209
D504,859 S	*	5/2005	Sulahian	D12/209
D510,307 S	*	10/2005	Howes	D12/209
D513,220 S	*	12/2005	Tirado	D12/209
D523,801 S	*	6/2006	Madden	D12/211
D577,649 S	*	9/2008	Ettensberger	D12/211
D617,252 S	*	6/2010	Zhao	D12/211
D618,149 S	*	6/2010	Antoniadis	D12/209
D623,573 S	*	9/2010	Thurner	D12/209
D669,409 S	*	10/2012	Arakelian	D12/211
D722,001 S	*	2/2015	Kern	D12/209
D725,017 S	*	3/2015	Harriton	D12/209
D751,487 S	*	3/2016	Harriton	D12/211

* cited by examiner

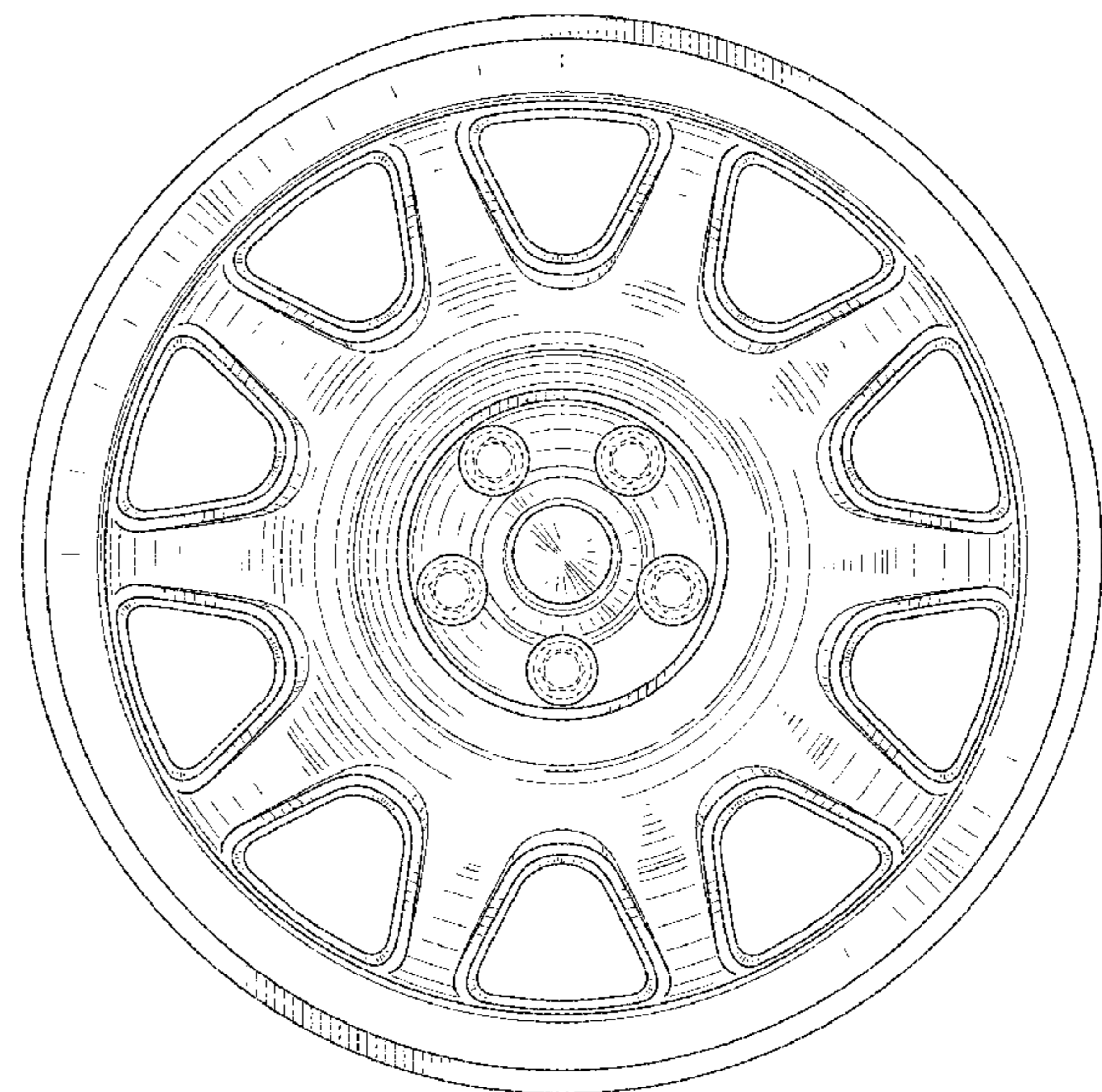
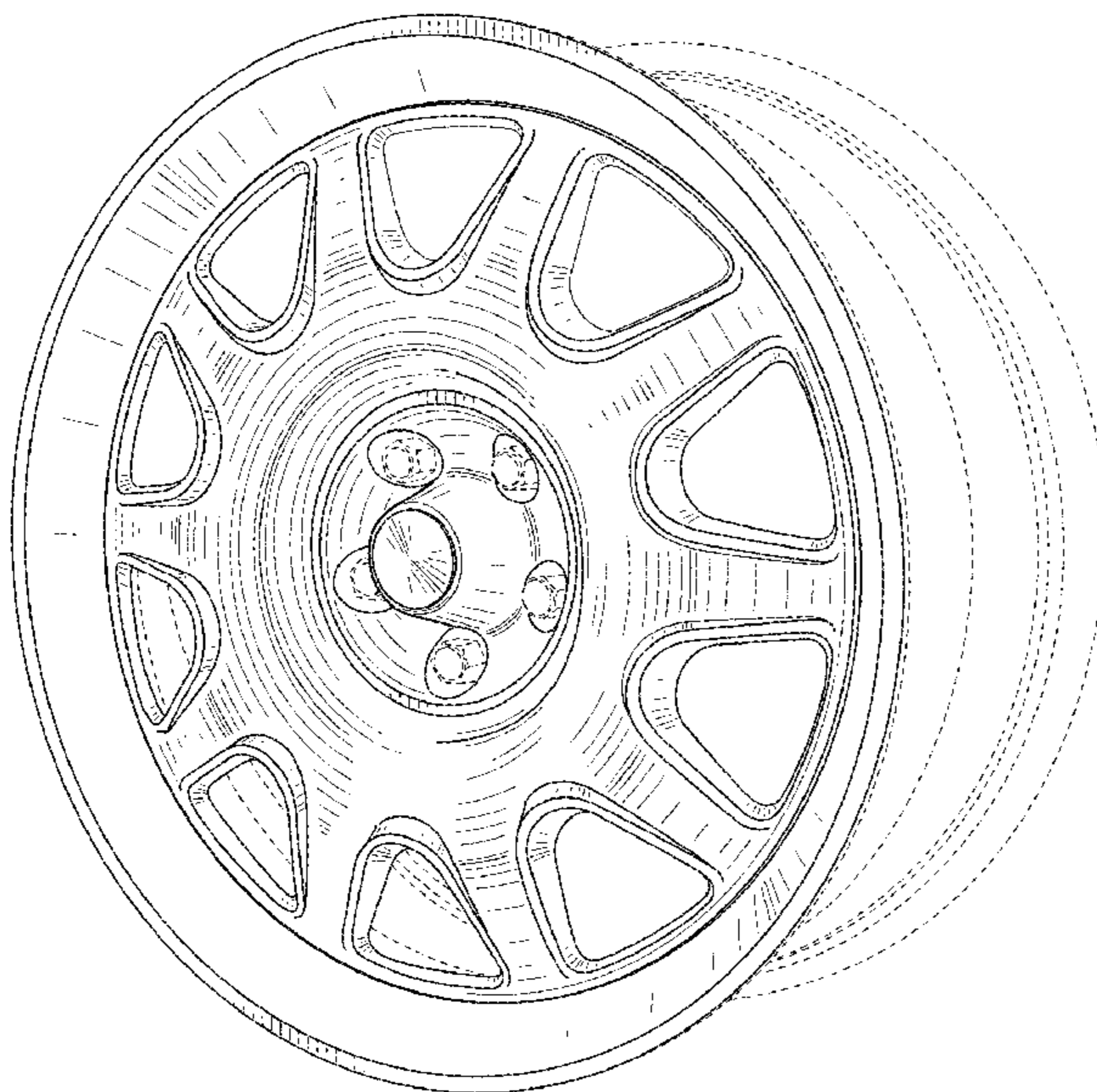
Primary Examiner — Stacia Cadmus
(74) *Attorney, Agent, or Firm* — Ralph E Smith

(57) **CLAIM**
The ornamental design for an automobile wheel, as shown and described.

DESCRIPTION

FIG. 1 is a right side perspective view of an automobile wheel showing our new design;
FIG. 2 is a left side perspective view thereof; and,
FIG. 3 is a front view.
It will be understood that the broken lines shown in the drawings illustrate portions of the automobile wheel that form no part of claimed design.

1 Claim, 3 Drawing Sheets



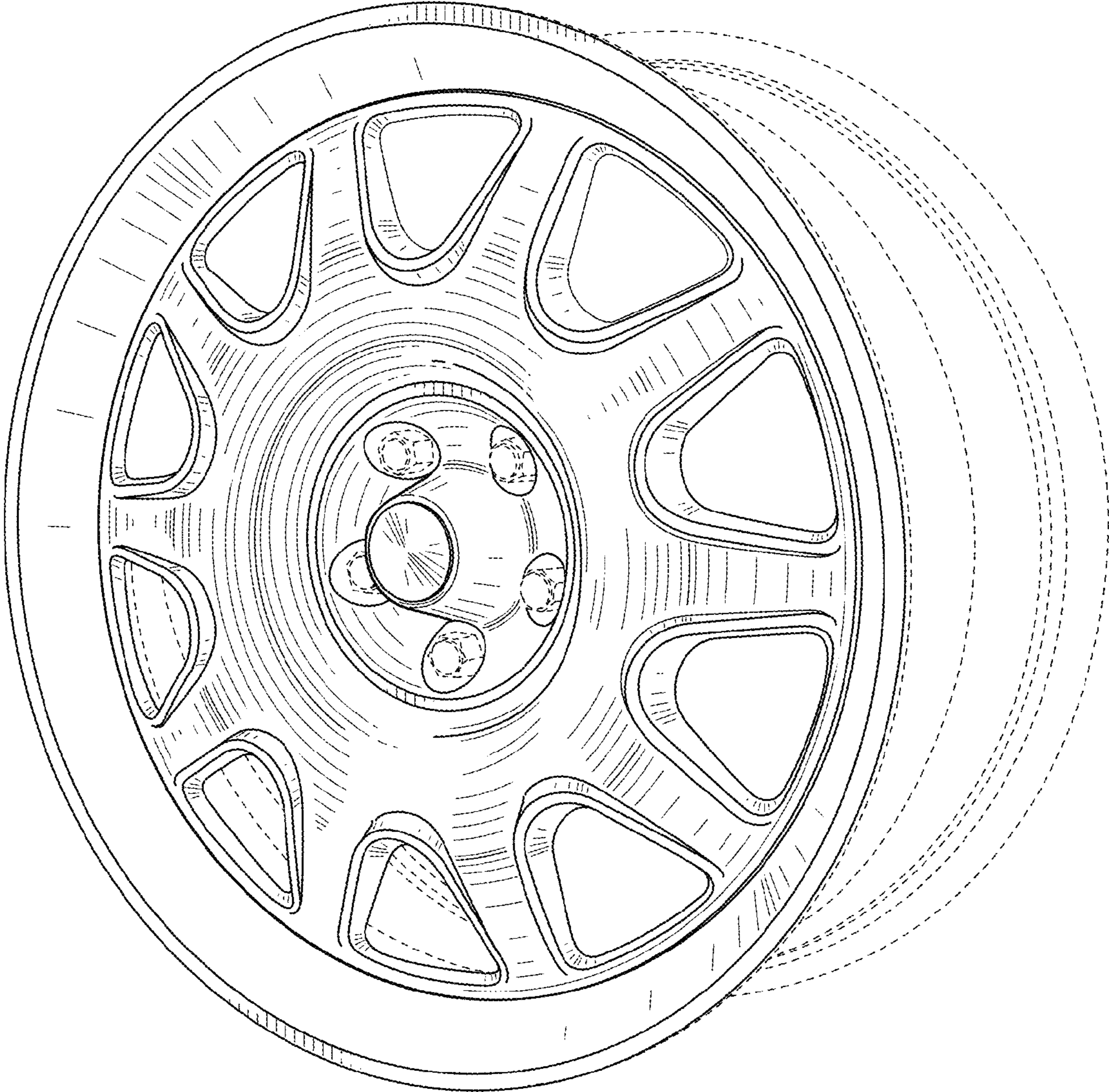


FIG. 1

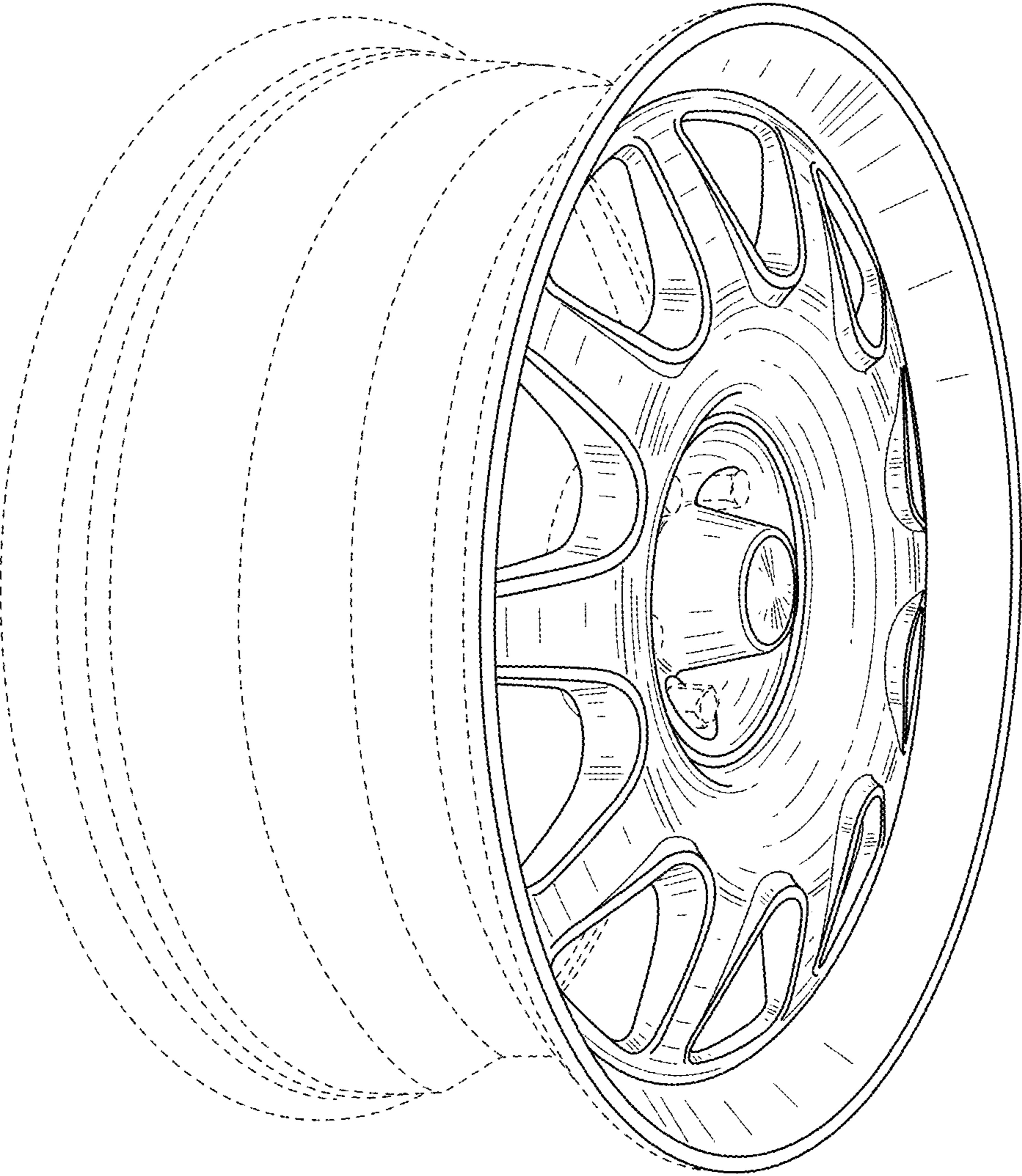


FIG. 2

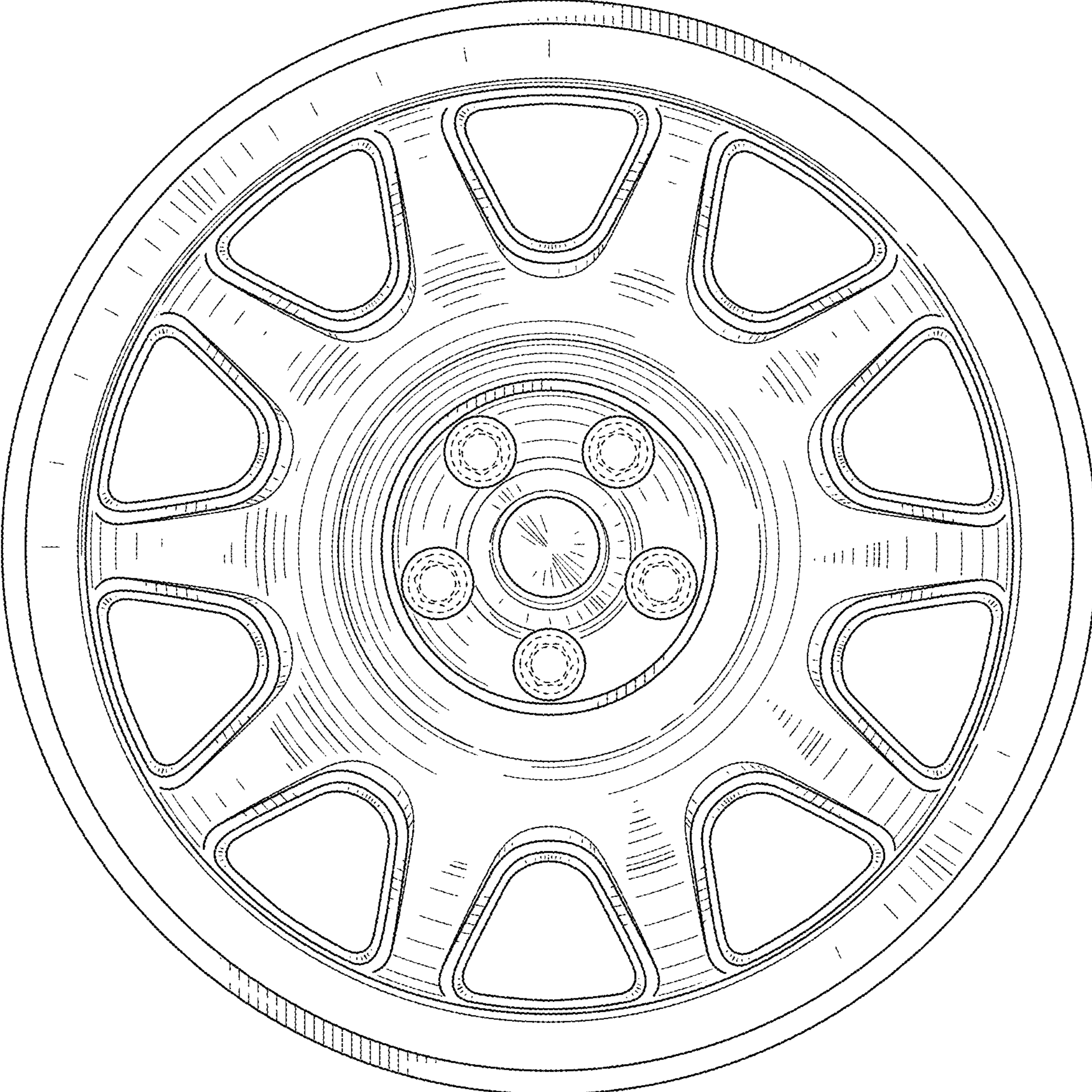


FIG. 3