

US00D758942S

(12) **United States Design Patent**
Zhao

(10) **Patent No.:** **US D758,942 S**
(45) **Date of Patent:** **** Jun. 14, 2016**

- (54) **AUTOMOBILE WHEEL**
- (71) Applicant: **John Zhao**, Monterey Park, CA (US)
- (72) Inventor: **John Zhao**, Monterey Park, CA (US)
- (73) Assignee: **Wah Hung Group Inc.**, Monterey Park, CA (US)

D707,172 S *	6/2014	Chung	D12/211
D709,018 S *	7/2014	Chung	D12/211
D712,333 S *	9/2014	Chung	D12/211
D714,704 S *	10/2014	Kim	D12/211
D726,629 S *	4/2015	Guidry	D12/211
D733,025 S *	6/2015	Chung	D12/204
D737,191 S *	8/2015	Chung	D12/211

(**) Term: **14 Years**

* cited by examiner

Primary Examiner — Garth Rademaker
Assistant Examiner — Samantha Q Lawrence

(21) Appl. No.: **29/503,754**

(74) *Attorney, Agent, or Firm* — Adli Law Group P.C.

(22) Filed: **Sep. 29, 2014**

(57) **CLAIM**

(51) **LOC (10) Cl.** **12-16**

I claim the ornamental design for an automobile wheel, as shown and described.

(52) **U.S. Cl.**

USPC **D12/208**

(58) **Field of Classification Search**

USPC D12/204–213; 301/37.101, 64.101, 65

See application file for complete search history.

DESCRIPTION

(56) **References Cited**

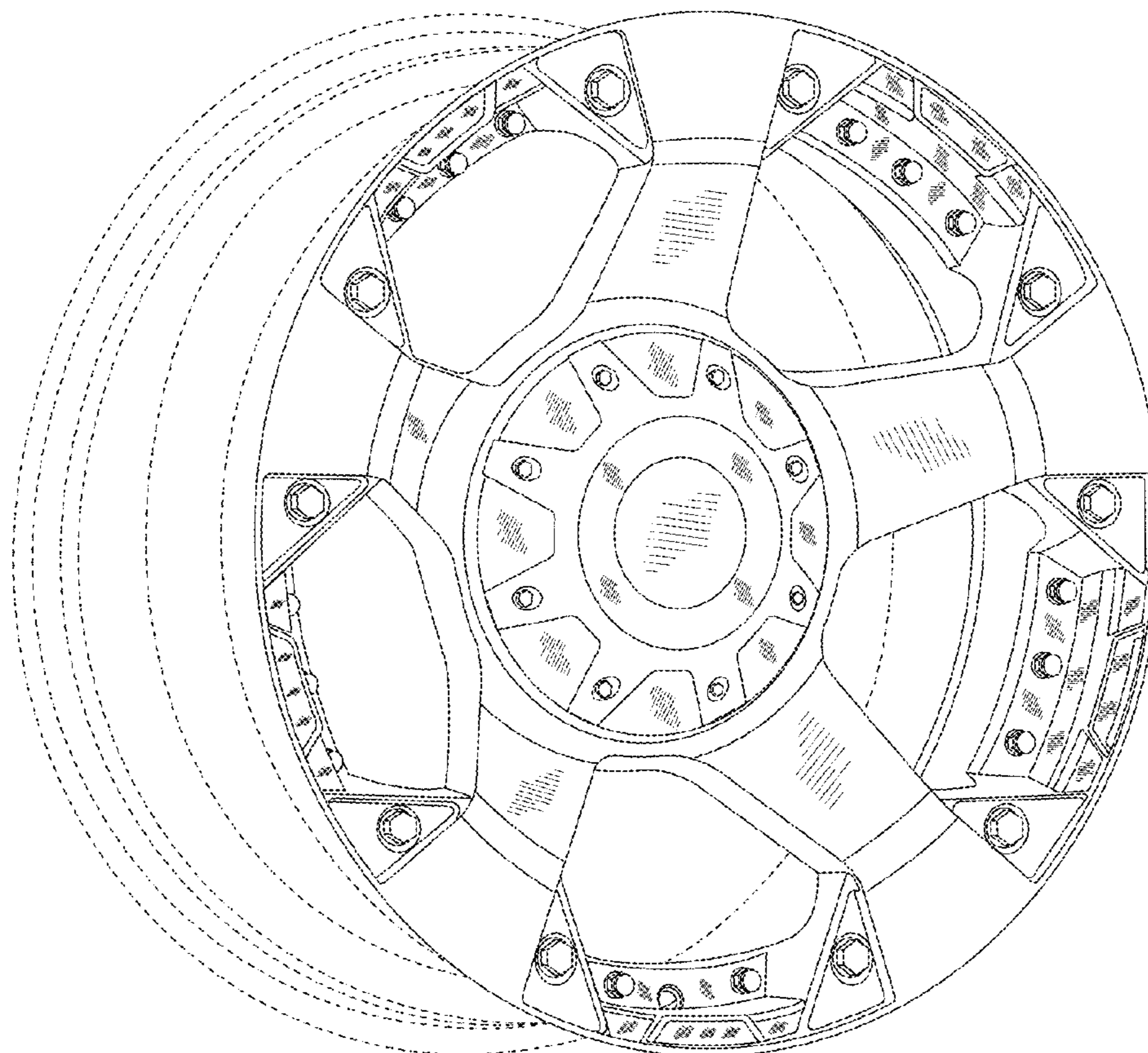
U.S. PATENT DOCUMENTS

3,582,141 A *	6/1971	Kelsey, Jr.	B60B 3/12 152/403
D678,159 S *	3/2013	Hale, Jr.	D12/209
D701,156 S *	3/2014	McFarlin	D12/210
D706,199 S *	6/2014	Chung	D12/211

FIG. 1 is a perspective view of an automobile wheel according to the claimed design; and, FIG. 2 is a front elevational view of the automobile wheel according to the claimed design.

The ornamental design which is claimed is shown in solid lines in the drawings. The broken lines shown in FIG. 1 illustrate portions of the automobile wheel that form no part of the claimed design.

1 Claim, 2 Drawing Sheets



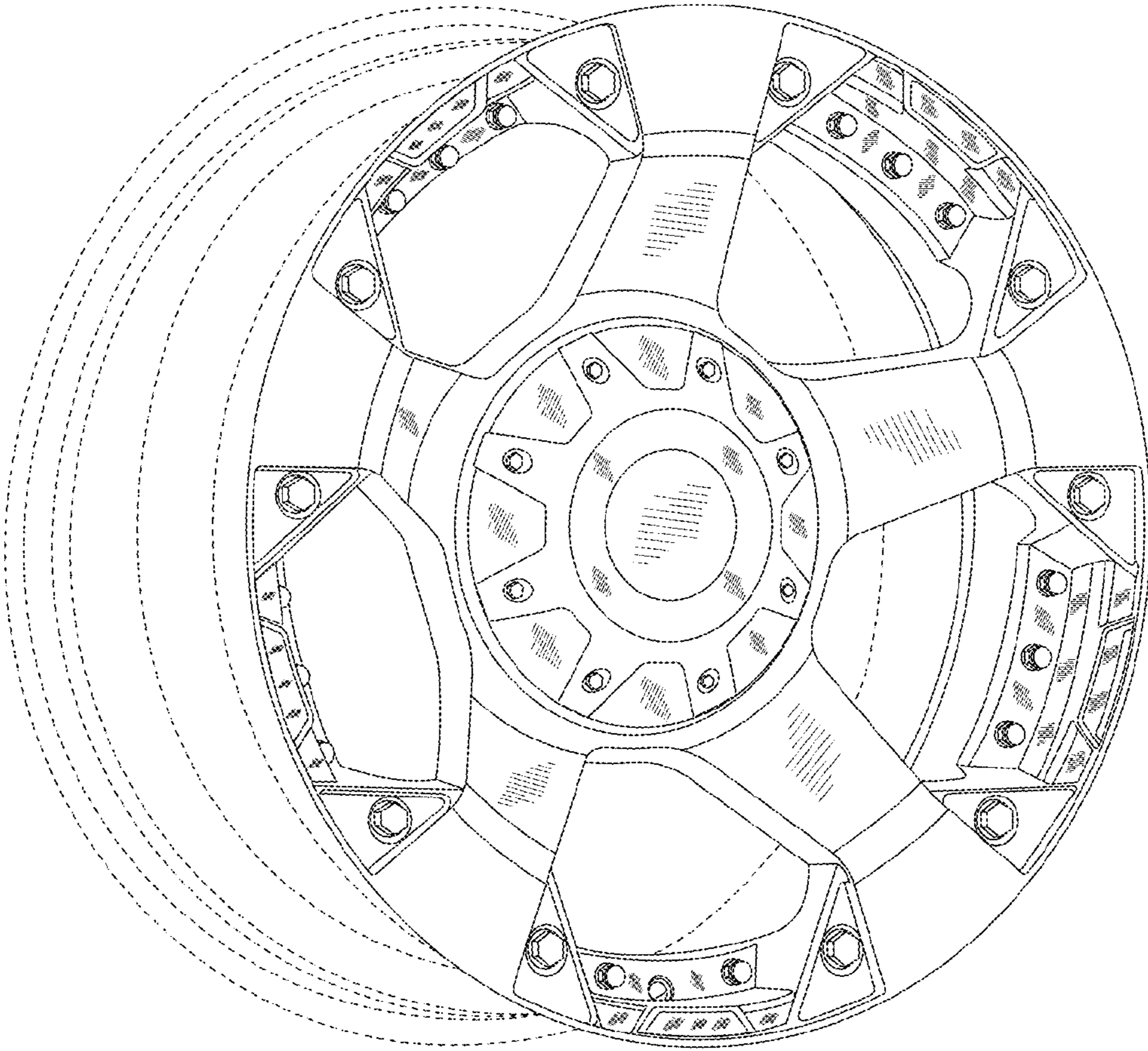


FIG. 1

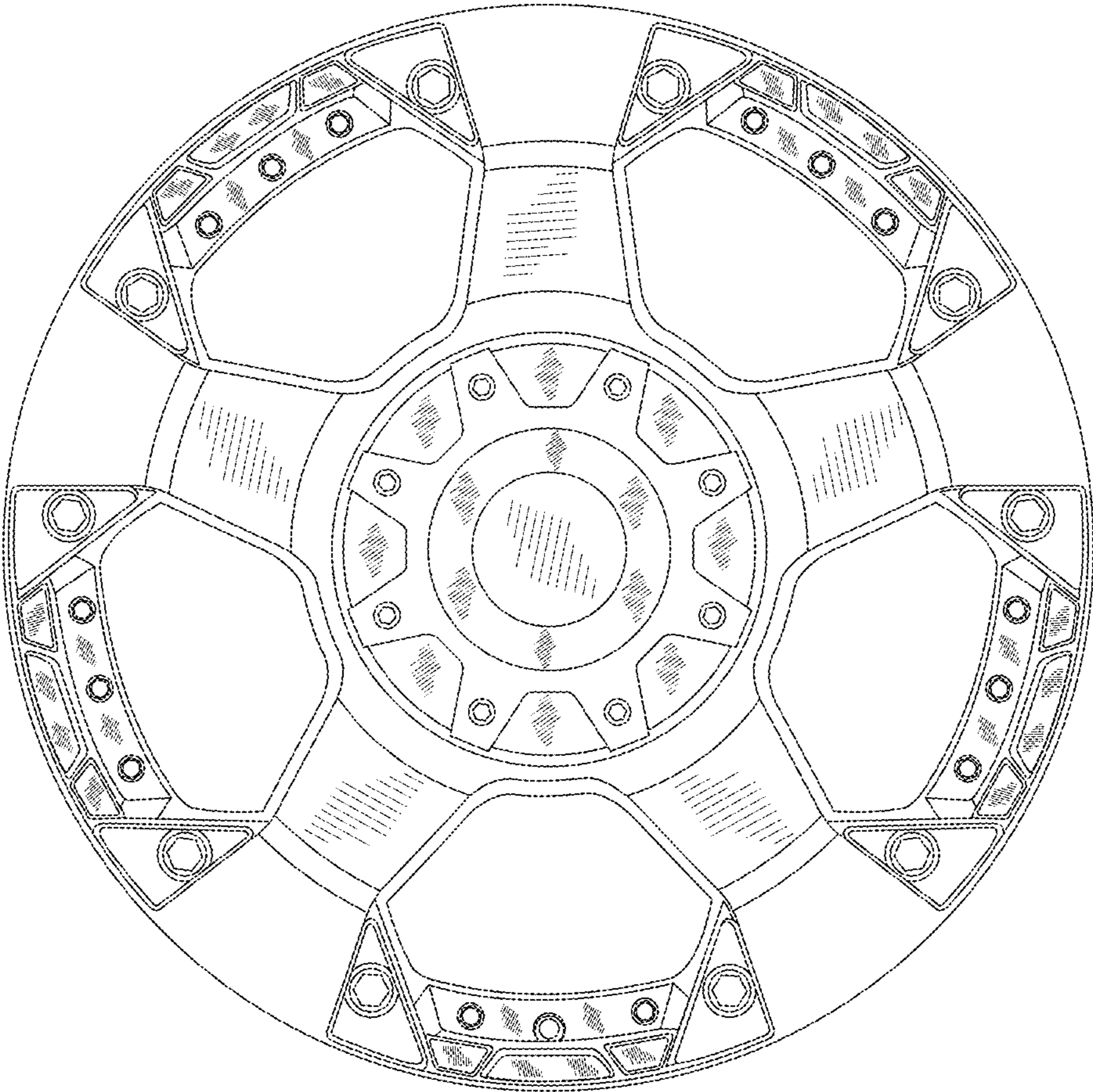


FIG. 2