



US00D758941S

(12) **United States Design Patent**  
**Zhao**

(10) **Patent No.:** **US D758,941 S**

(45) **Date of Patent:** **\*\* Jun. 14, 2016**

- (54) **AUTOMOBILE WHEEL**
- (71) Applicant: **John Zhao**, Monterey Park, CA (US)
- (72) Inventor: **John Zhao**, Monterey Park, CA (US)
- (73) Assignee: **Wah Hung Group Inc.**, Monterey Park, CA (US)

D584,673 S *	1/2009	Chung	.....	D12/209
D661,239 S *	6/2012	Pollmann	.....	D12/209
D699,660 S *	2/2014	Zhao	.....	D12/209
D719,890 S *	12/2014	Johnson	.....	D12/209
D722,939 S *	2/2015	Chung	.....	D12/213
RE45,446 E *	4/2015	Hale, Jr.	.....	D12/211
D726,629 S *	4/2015	Guidry	.....	D12/211
D733,025 S *	6/2015	Chung	.....	D12/204

(\*\*) Term: **14 Years**

\* cited by examiner

(21) Appl. No.: **29/503,752**

*Primary Examiner* — Ian Simmons

(22) Filed: **Sep. 29, 2014**

*Assistant Examiner* — Samantha Q Lawrence

(51) **LOC (10) Cl.** ..... **12-16**

(74) *Attorney, Agent, or Firm* — Adli Law Group P.C.

(52) **U.S. Cl.**  
USPC ..... **D12/208**

(57) **CLAIM**

I claim the ornamental design for an automobile wheel, as shown and described.

(58) **Field of Classification Search**  
USPC ..... D12/204–213; 301/37.101, 64.101, 65  
See application file for complete search history.

**DESCRIPTION**

FIG. 1 is a perspective view of an automobile wheel according to the claimed design; and, FIG. 2 is a front elevational view of the automobile wheel according to the claimed design.

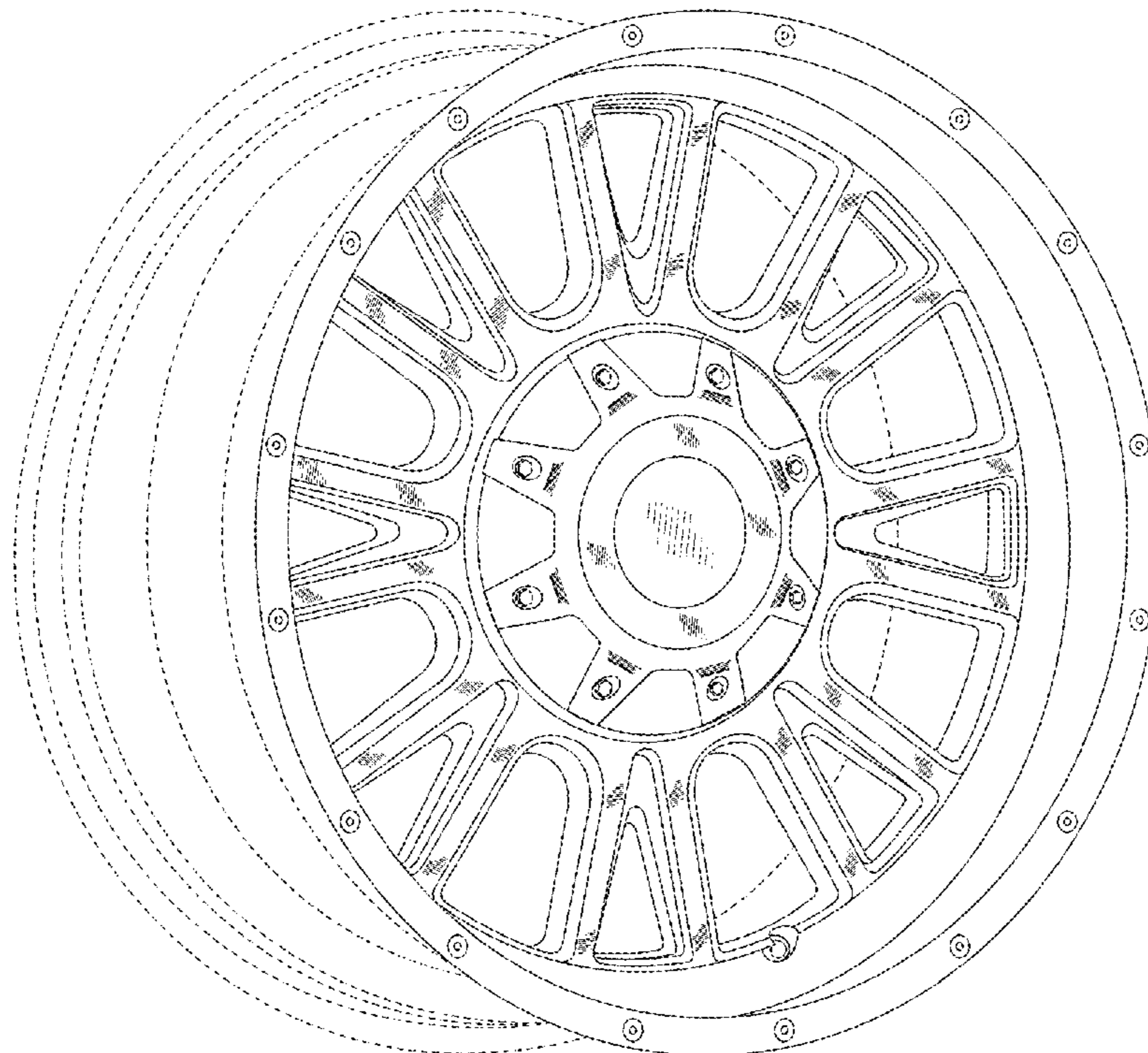
The ornamental design which is claimed is shown in solid lines in the drawings. The broken lines shown in FIG. 1 illustrate portions of the automobile wheel that form no part of the claimed design.

(56) **References Cited**

U.S. PATENT DOCUMENTS

D318,256 S *	7/1991	Brinkmann	.....	D12/211
D395,270 S *	6/1998	Baumgartner	.....	D12/211
D405,409 S *	2/1999	Baumgartner	.....	D12/211
D527,327 S *	8/2006	Laengerer	.....	D12/211
D532,355 S *	11/2006	Baumgartner	.....	D12/211

**1 Claim, 2 Drawing Sheets**



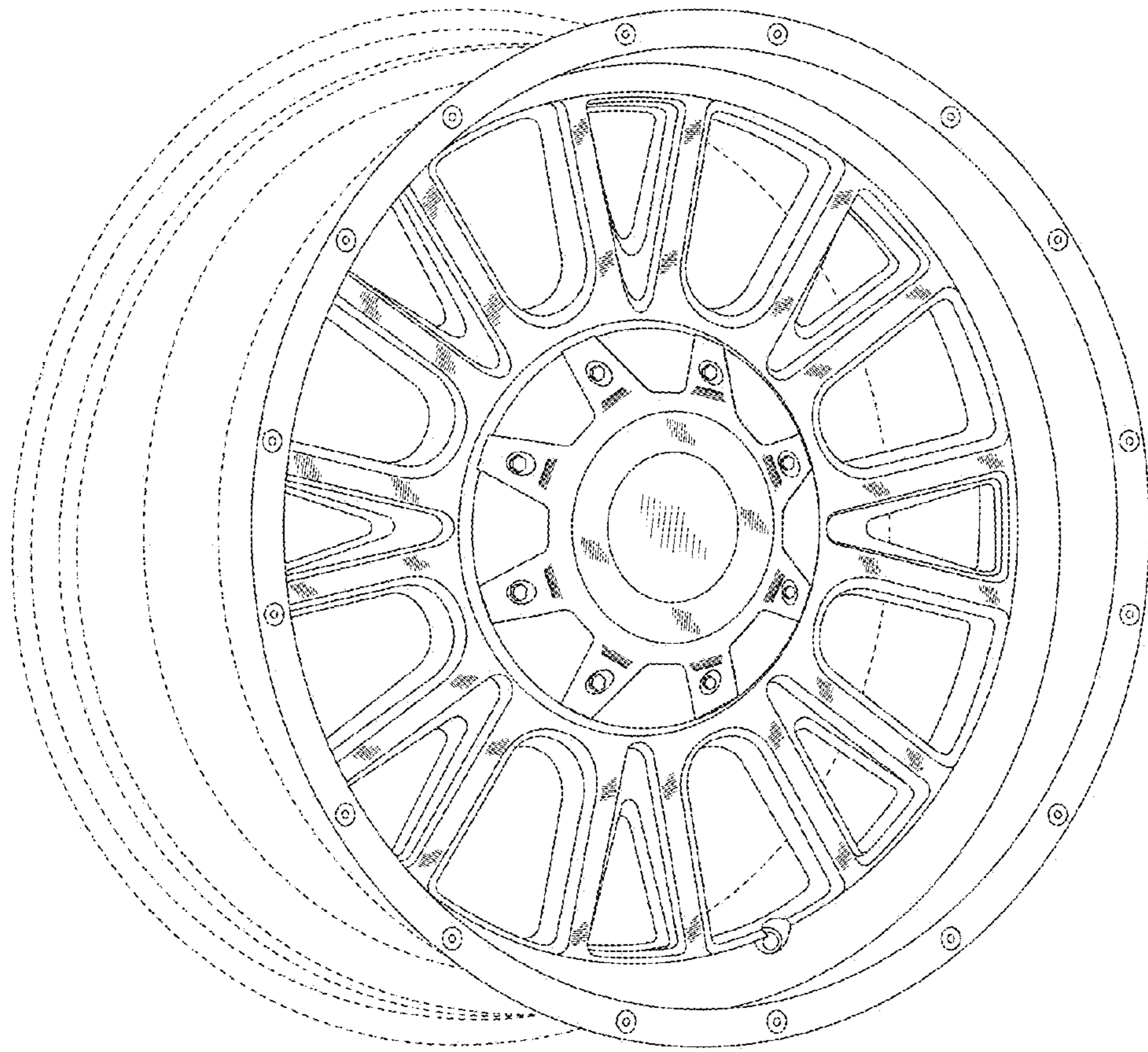


FIG. 1



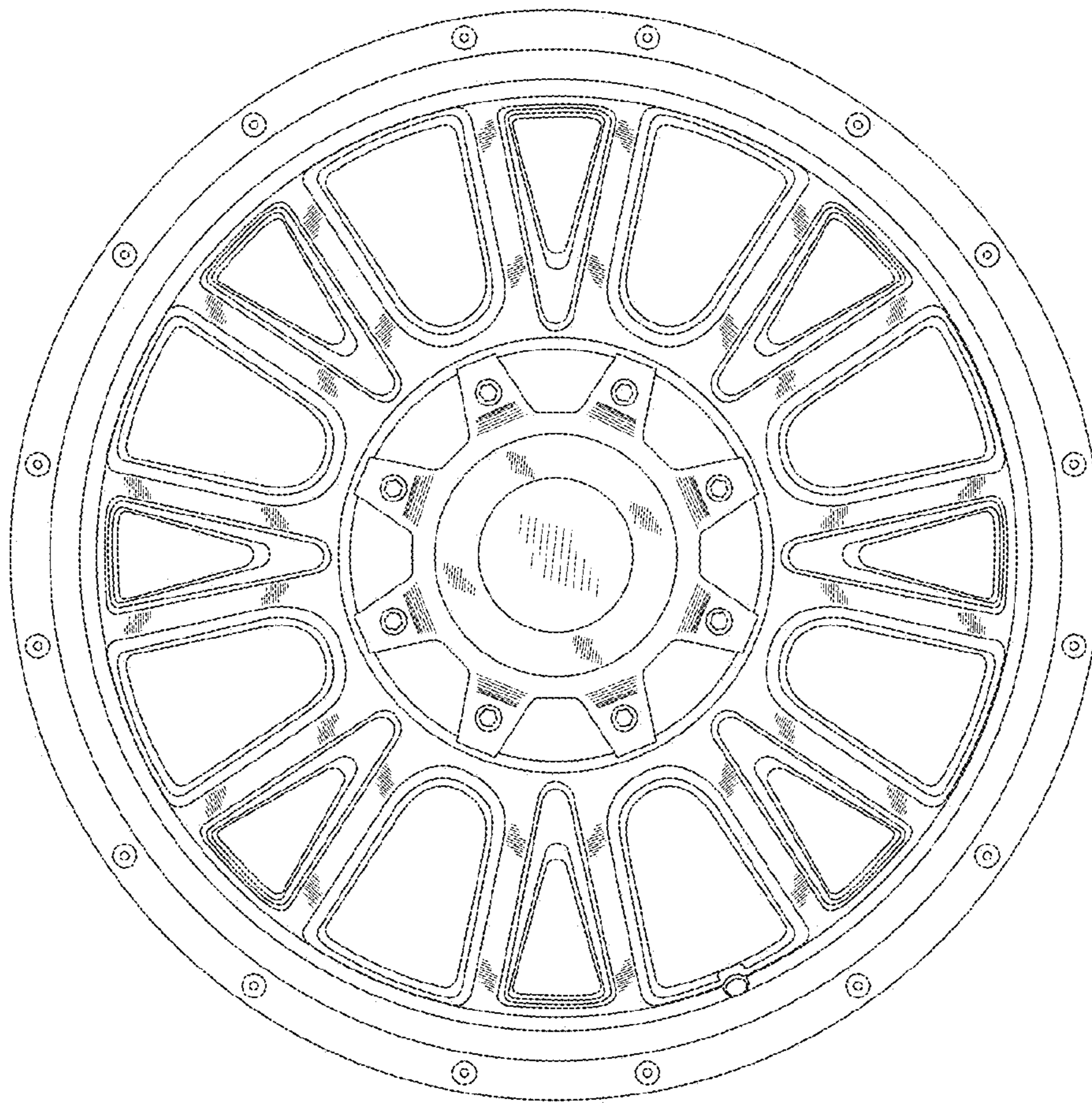


FIG. 2