



US00D758937S

(12) **United States Design Patent**
Lemon

(10) **Patent No.:** **US D758,937 S**

(45) **Date of Patent:** **** Jun. 14, 2016**

(54) **EXHAUST PIPE SET FOR A MINIVAN**

(71) Applicant: **Shawna Cannon Lemon**, Morrisville,
NC (US)

(72) Inventor: **Shawna Cannon Lemon**, Morrisville,
NC (US)

(**) Term: **14 Years**

(21) Appl. No.: **29/509,997**

(22) Filed: **Nov. 24, 2014**

(51) **LOC (10) Cl.** **12-16**

(52) **U.S. Cl.**
USPC **D12/194**

(58) **Field of Classification Search**
USPC D12/194; D15/5
CPC F01N 13/082; F01N 13/085; F01N 13/087
See application file for complete search history.

(56) **References Cited**

U.S. PATENT DOCUMENTS

D534,469 S *	1/2007	Murkett	D12/194
D539,715 S *	4/2007	Lai	D12/194
D556,660 S *	12/2007	Murkett	D12/194
D573,521 S *	7/2008	Hsu	D12/194
D600,186 S *	9/2009	Bhambra	D12/194

D618,603 S *	6/2010	Lemon	D12/194
D635,498 S *	4/2011	Lemon	D12/194
D675,141 S *	1/2013	Lemon	D12/194
D684,909 S *	6/2013	Lemon	D12/194
2013/0026749 A1 *	1/2013	O'Brien	B60R 13/0876 285/62

* cited by examiner

Primary Examiner — Michael A Pratt

(57) **CLAIM**

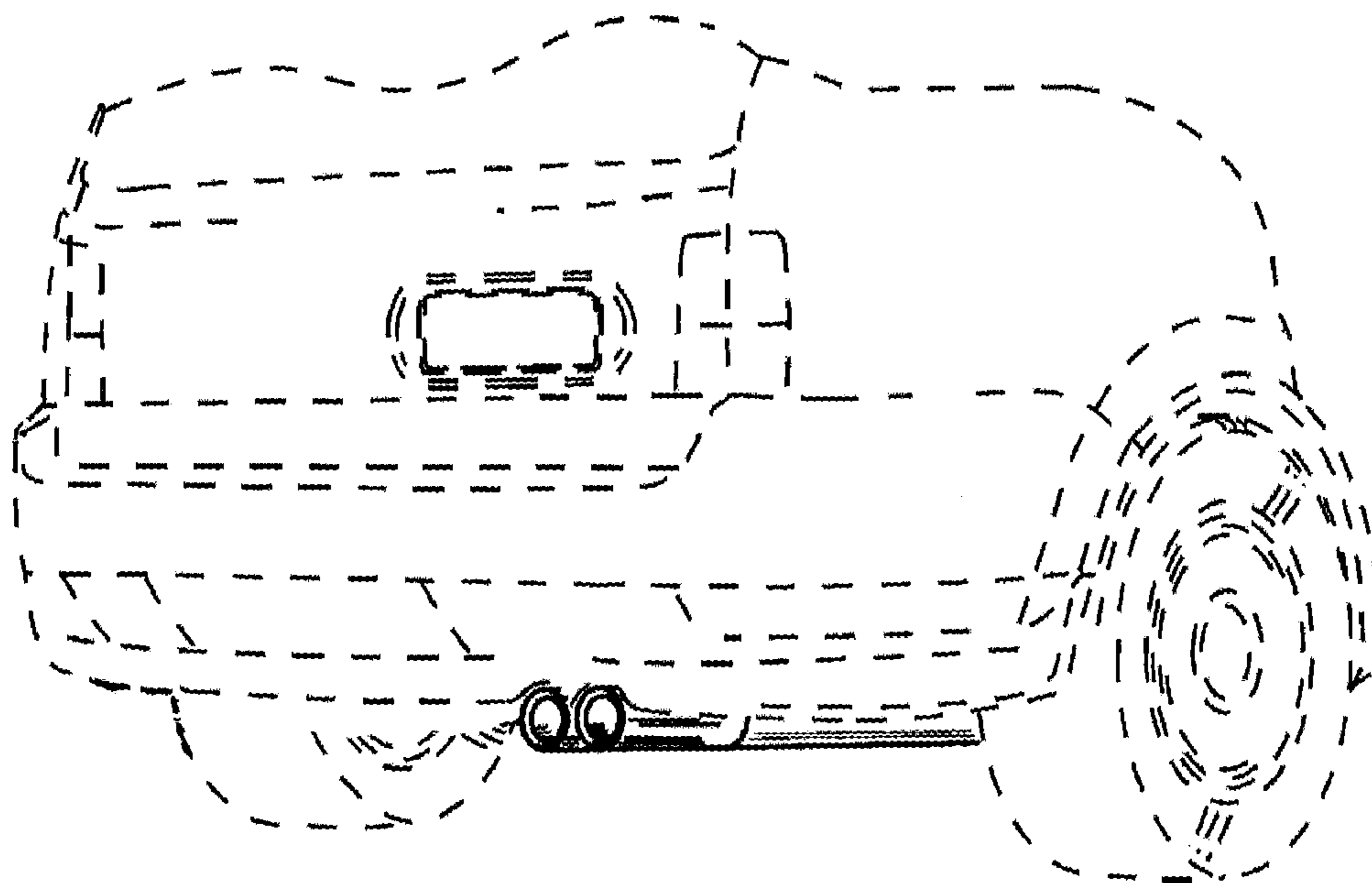
The ornamental design for an exhaust pipe set for a minivan,
substantially as shown and described.

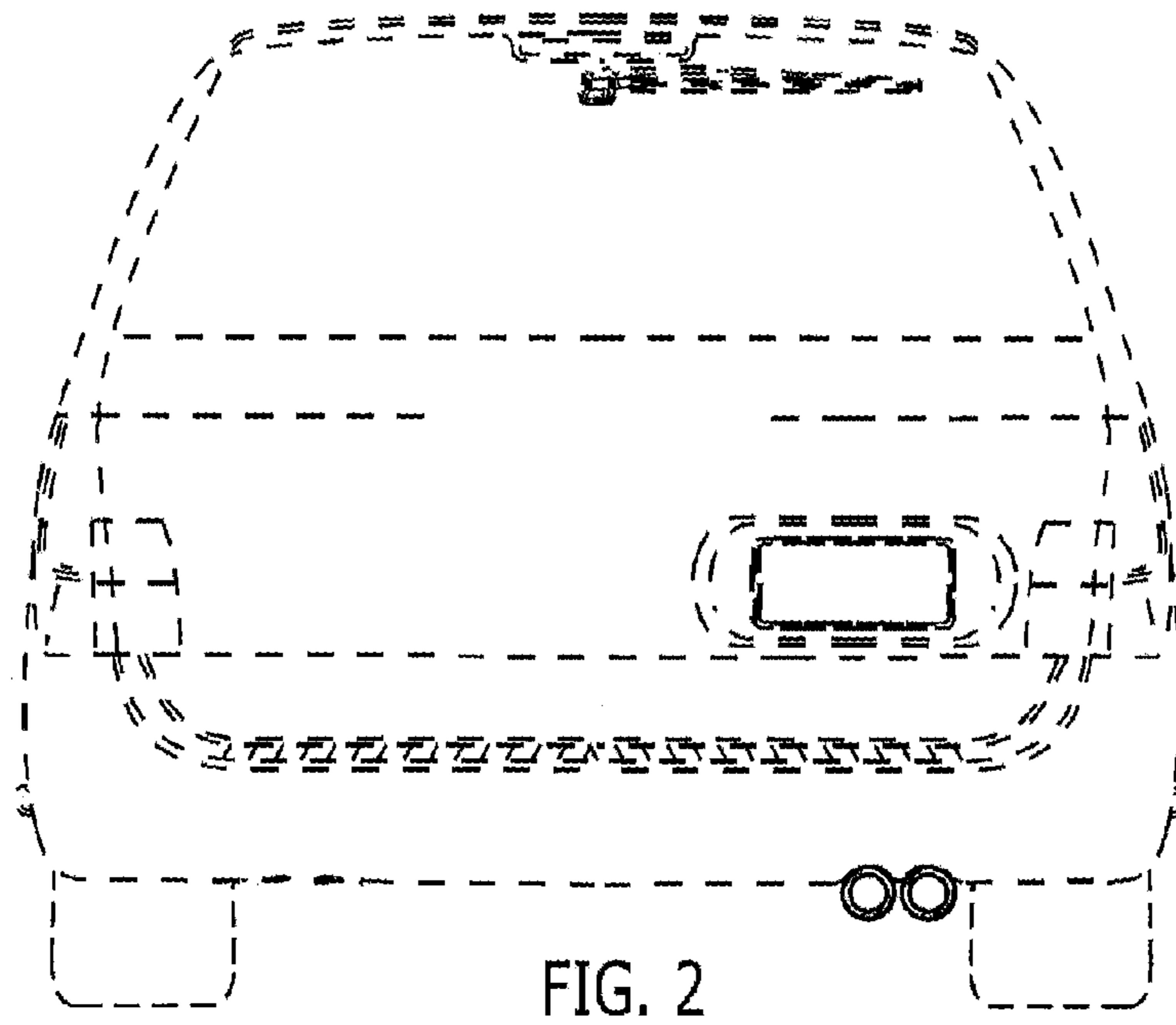
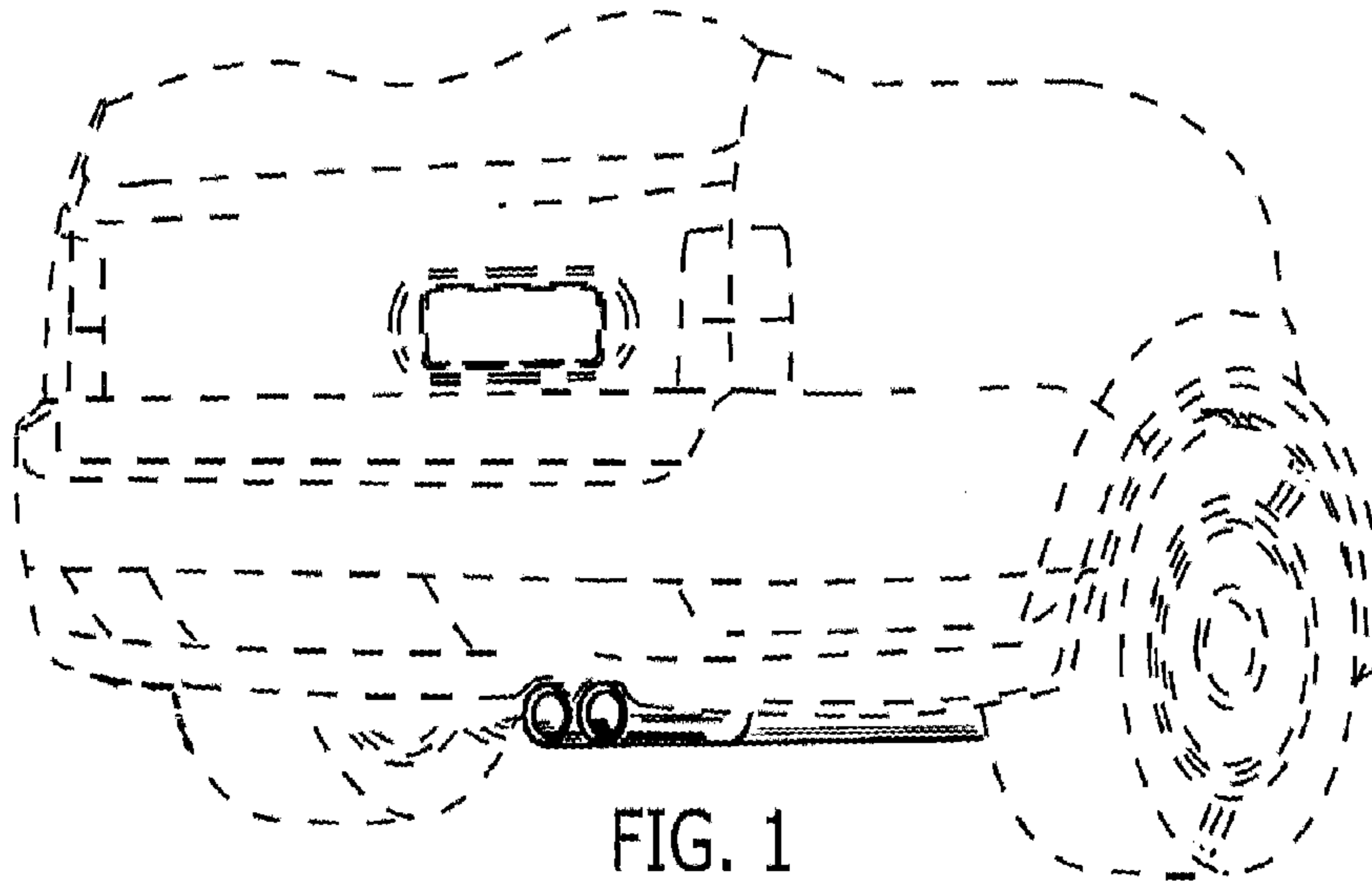
DESCRIPTION

FIG. 1 is a partial perspective view of the present design
showing an exhaust pipe set for a minivan;
FIG. 2 is a rear view thereof;
FIG. 3 is a side view thereof, the opposite side being a mirror
image thereof; and,
FIG. 4 is a top view of embodiments corresponding to the
present design.

The bottom view is disclaimed herein. The portions of the
design shown in broken/dashed lines are for illustrative pur-
poses only and form no part of the claimed design. The
illustrated article is not limited to the scale shown.

1 Claim, 3 Drawing Sheets





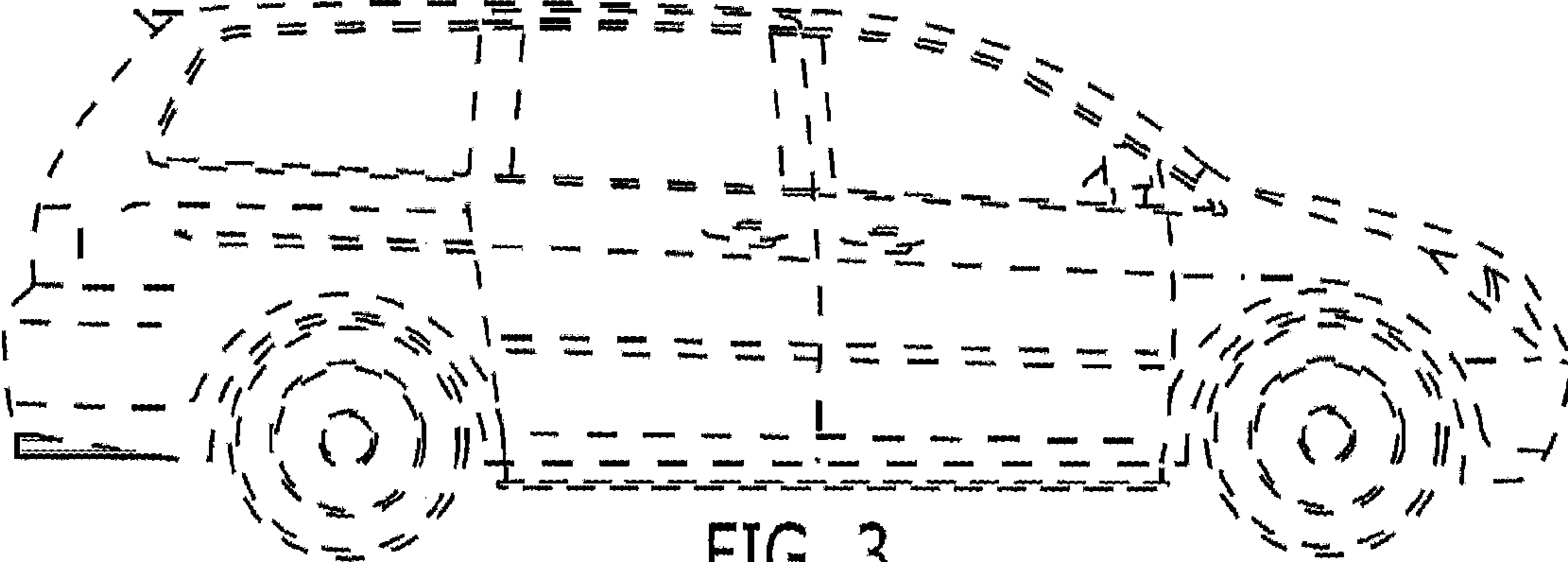


FIG. 3

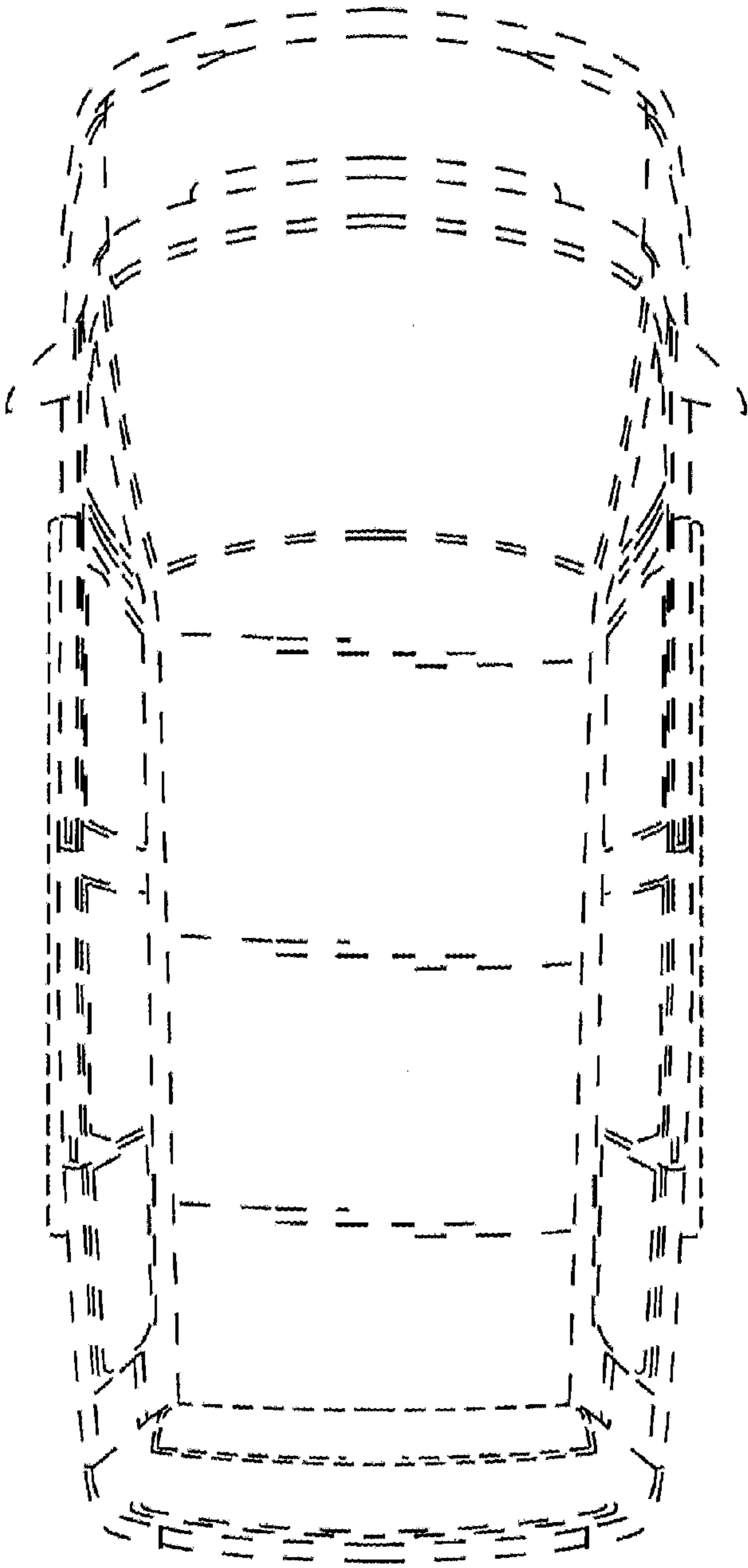


FIG. 4