



US00D758932S

(12) **United States Design Patent**
Schowalter

(10) **Patent No.:** **US D758,932 S**
(45) **Date of Patent:** **** Jun. 14, 2016**

(54) **STEERING WHEEL**

D733,627 S * 7/2015 Ishimaru D12/176
D743,858 S * 11/2015 Sugiura D12/176
D743,860 S * 11/2015 Nagumo D12/176

(71) Applicant: **Jean-Paul Michael Schowalter**,
Fullerton, CA (US)

FOREIGN PATENT DOCUMENTS

(72) Inventor: **Jean-Paul Michael Schowalter**,
Fullerton, CA (US)

JP D1479596 9/1917
JP D1461639 2/2013
TW D112744 9/2006
TW D120591 12/2007
TW D153035 5/2013
TW D157132 11/2013

(73) Assignee: **HONDA MOTOR CO., LTD.**, Tokyo
(JP)

(**) Term: **14 Years**

OTHER PUBLICATIONS

(21) Appl. No.: **29/517,301**

English translation of Taiwan IPO Search Report; Taiwan Design Patent Application No. 104304223; Dated Jan. 4, 2016.
English translation of Taiwan IPO Search Report; Taiwan Design Patent Application No. 104304227; Dated Jan. 4, 2016.

(22) Filed: **Feb. 11, 2015**

(51) **LOC (10) Cl.** **12-16**

(52) **U.S. Cl.**
USPC **D12/176**

* cited by examiner

(58) **Field of Classification Search**
USPC D12/175, 176; 74/552, 558, 558.5
CPC B60R 21/203; B60R 21/05; B62D 1/04
See application file for complete search history.

Primary Examiner — Melody N Brown

(74) *Attorney, Agent, or Firm* — Pearne & Gordon LLP

(56) **References Cited**

(57) **CLAIM**

The ornamental design for a steering wheel, as shown and described.

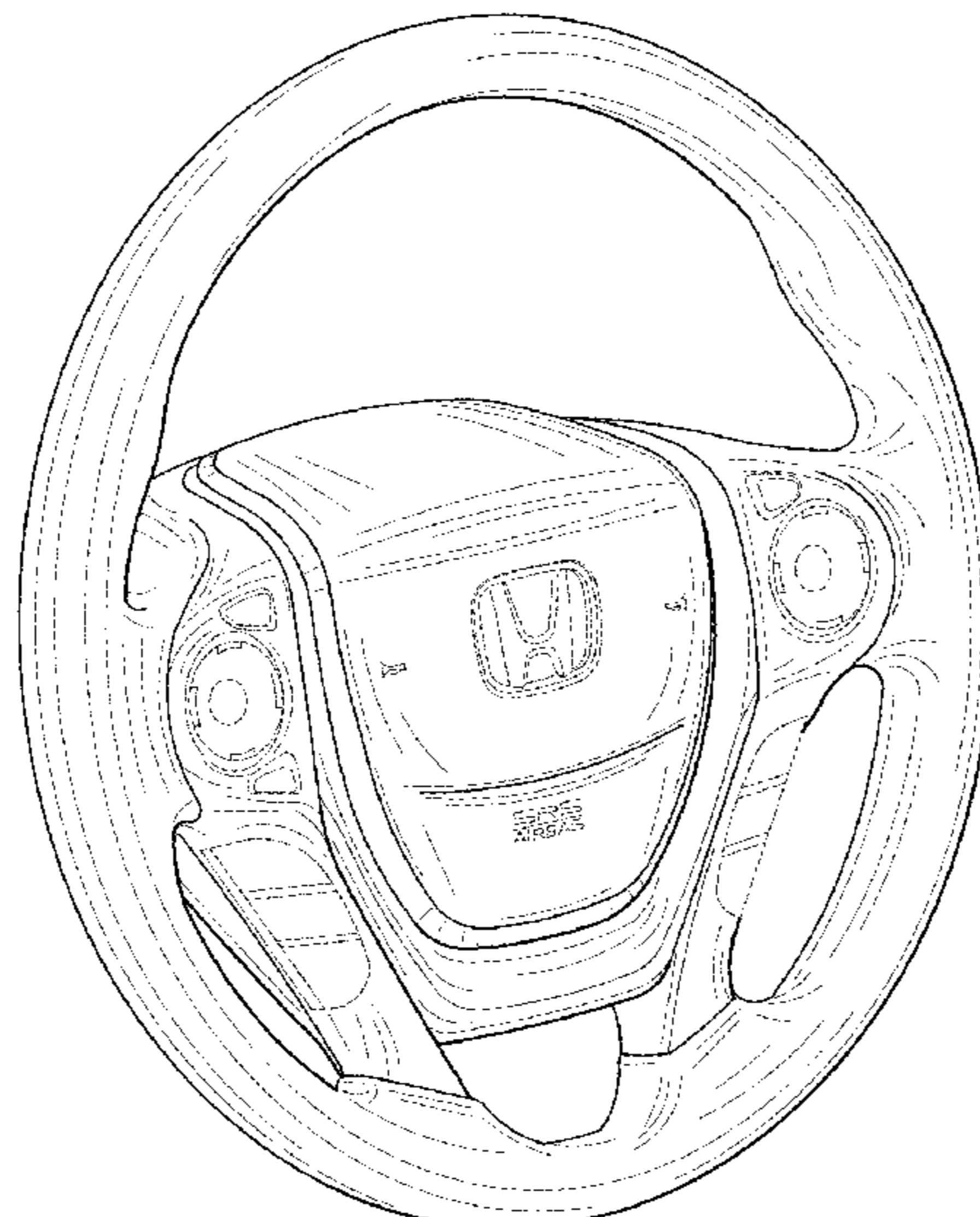
U.S. PATENT DOCUMENTS

DESCRIPTION

D534,465 S * 1/2007 Wiedeman D12/176
D583,735 S * 12/2008 Wyszogrod D12/176
D630,983 S * 1/2011 Frank D12/176
D635,069 S * 3/2011 Klein D12/176
D635,900 S * 4/2011 Anzi D12/176
D672,293 S * 12/2012 Toyama D12/176
D688,606 S * 8/2013 Balko D12/176
D692,813 S * 11/2013 Koyama D12/175
D696,991 S * 1/2014 Bose D12/176
D696,992 S * 1/2014 Pohanka D12/176
D708,556 S * 7/2014 Mito D12/176
D709,006 S * 7/2014 Busse D12/176
D710,270 S * 8/2014 Kanki
D710,769 S * 8/2014 Cheung D12/176
D713,307 S * 9/2014 Kanki D12/176
D727,226 S * 4/2015 Mayerle D12/176

FIG. 1 is a perspective view of a steering wheel showing my new design;
FIG. 2 is a front view thereof;
FIG. 3 is a top view thereof;
FIG. 4 is a right side view thereof;
FIG. 5 is a left side view thereof;
FIG. 6 is a rear view thereof; and,
FIG. 7 is a bottom view thereof.
The broken lines shown in the drawings illustrate portions of the steering wheel that form no part of the claimed design.

1 Claim, 3 Drawing Sheets



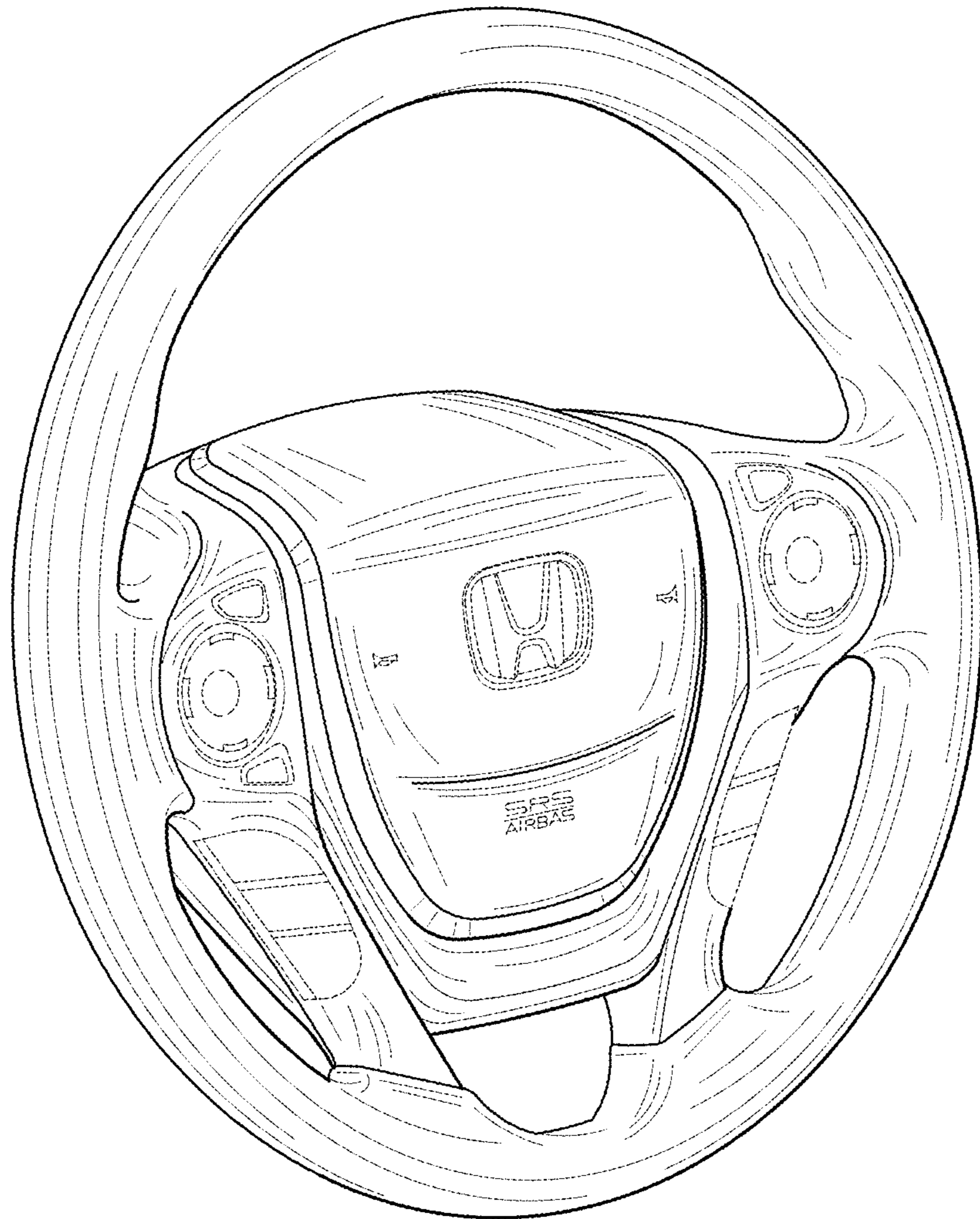


FIG. 1

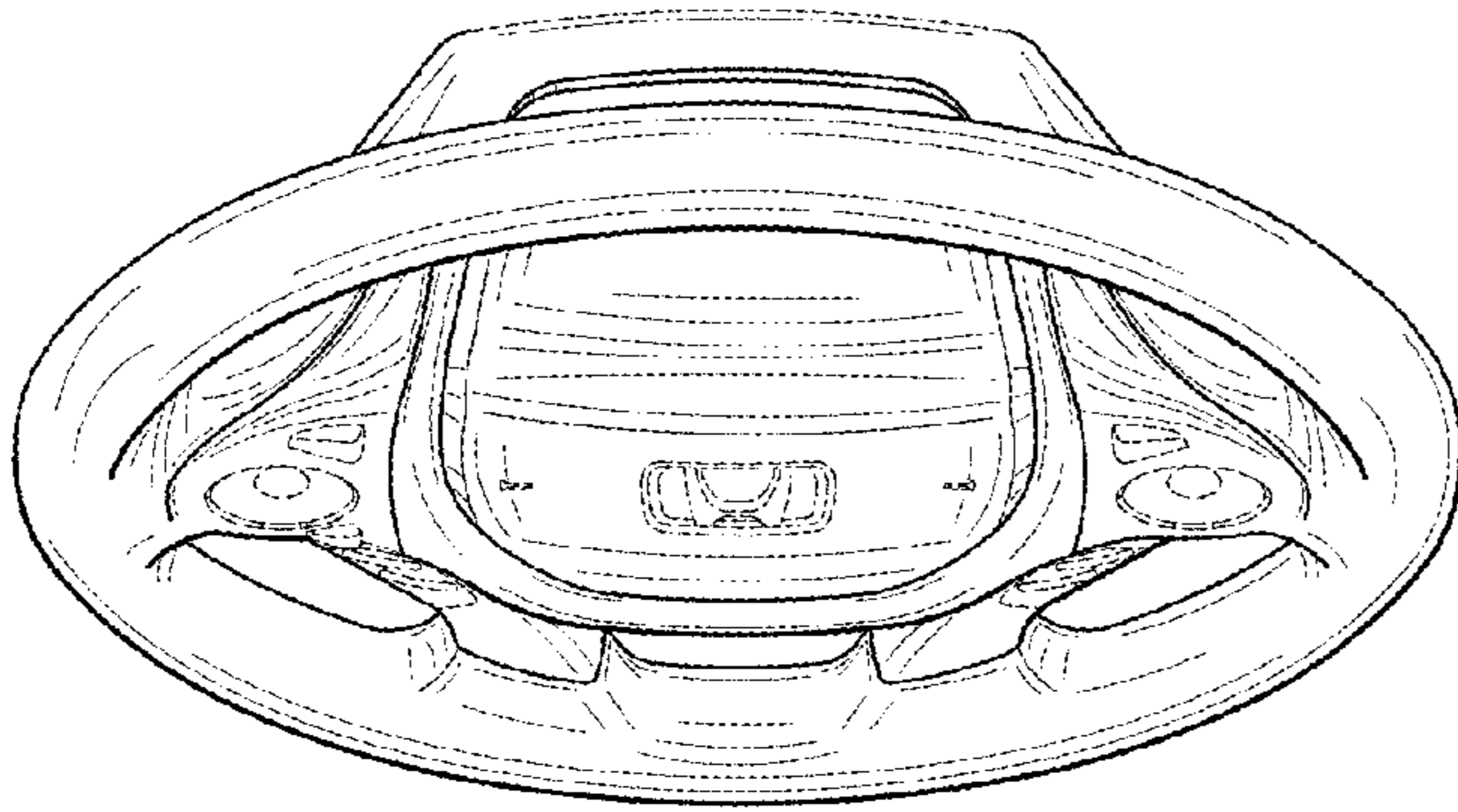


FIG. 3

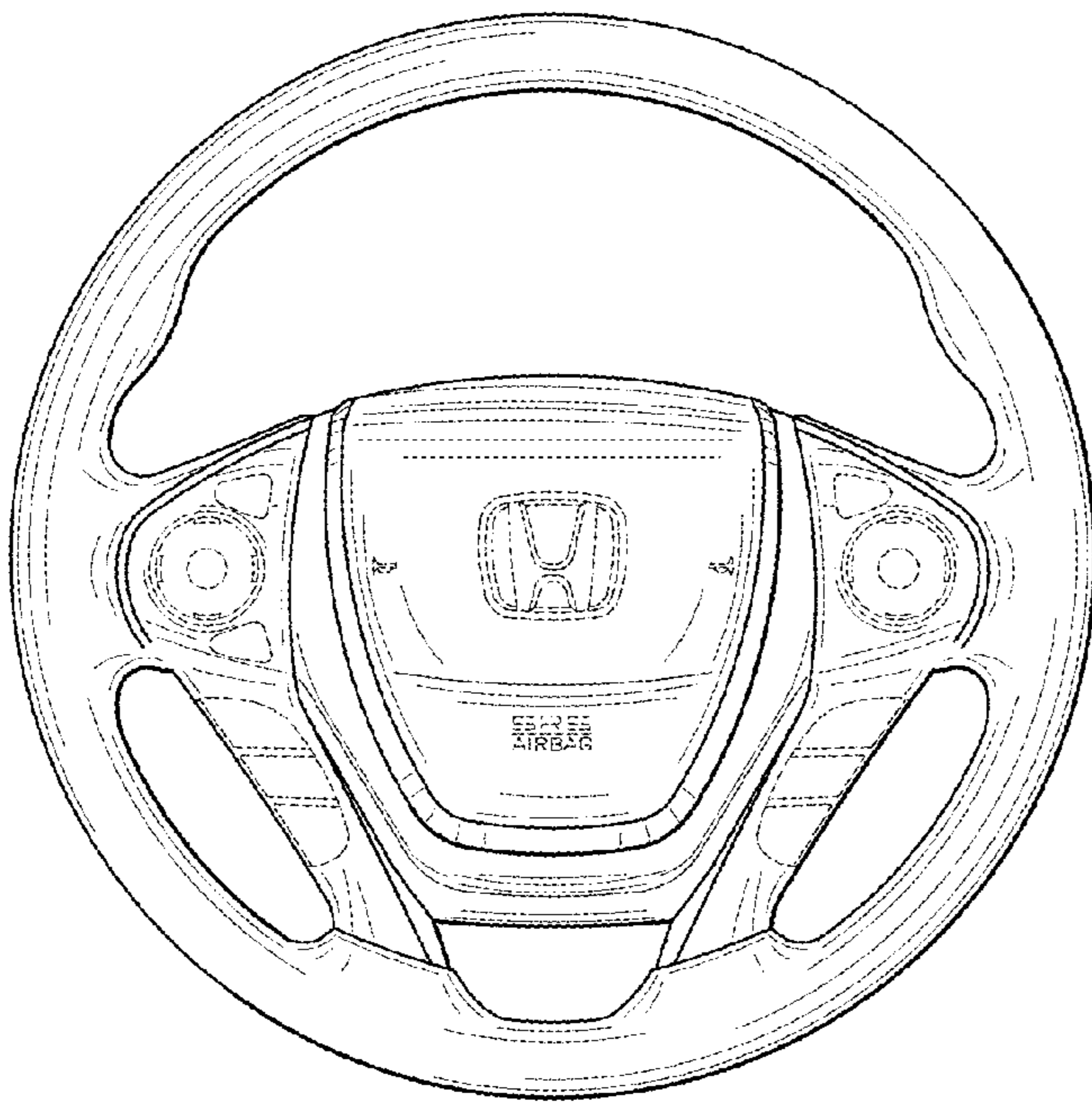


FIG. 2

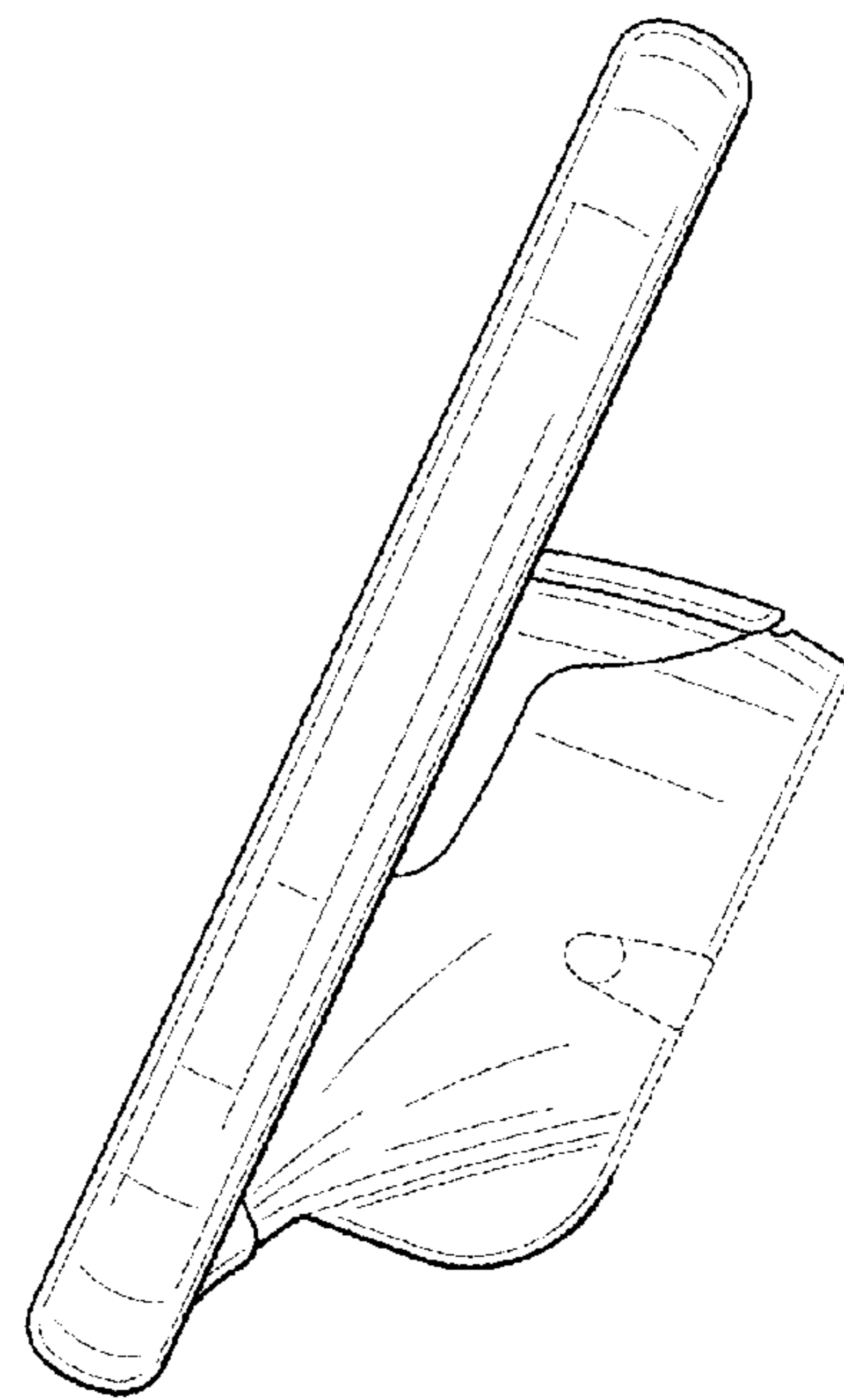


FIG. 4

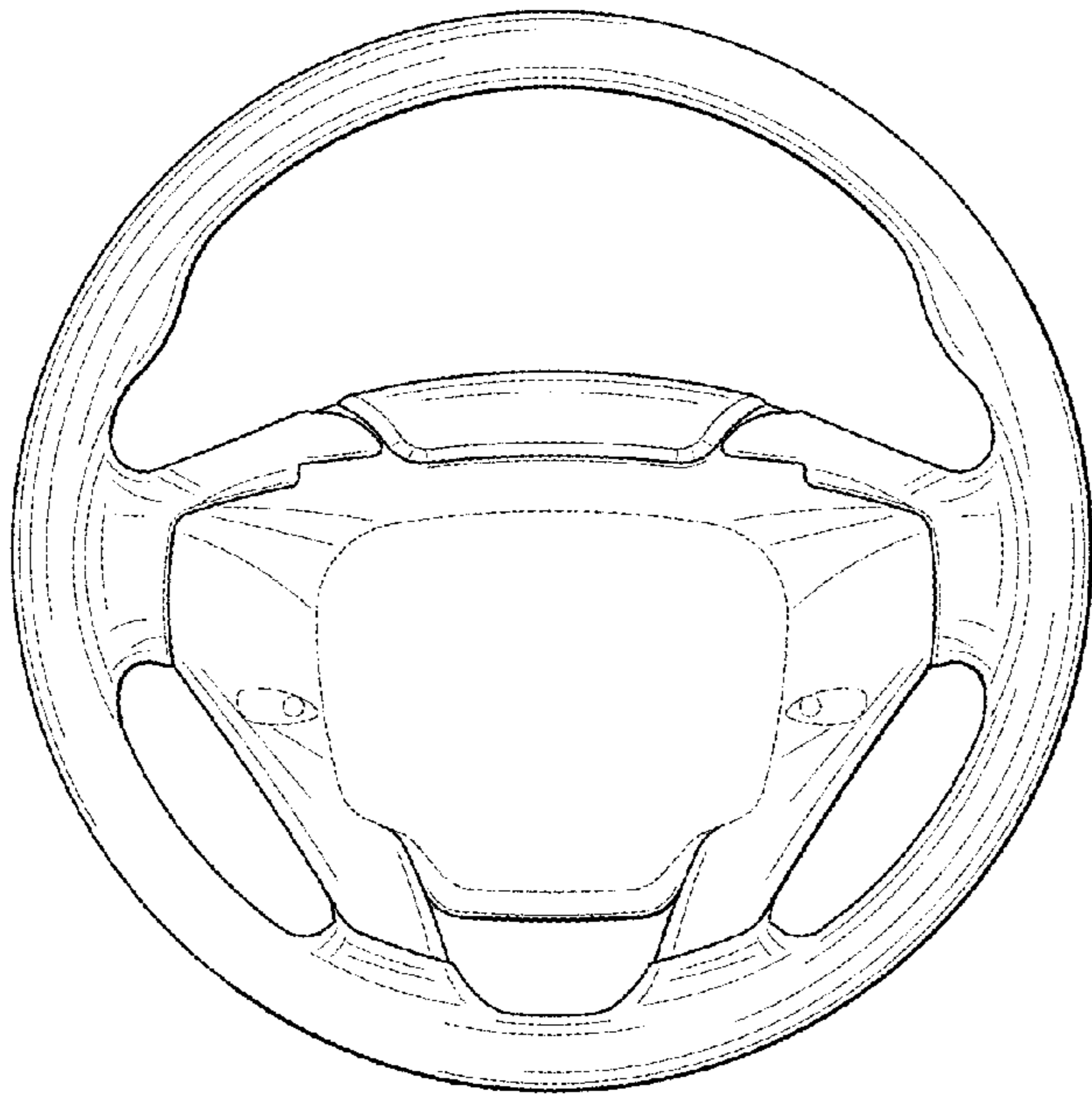


FIG. 6

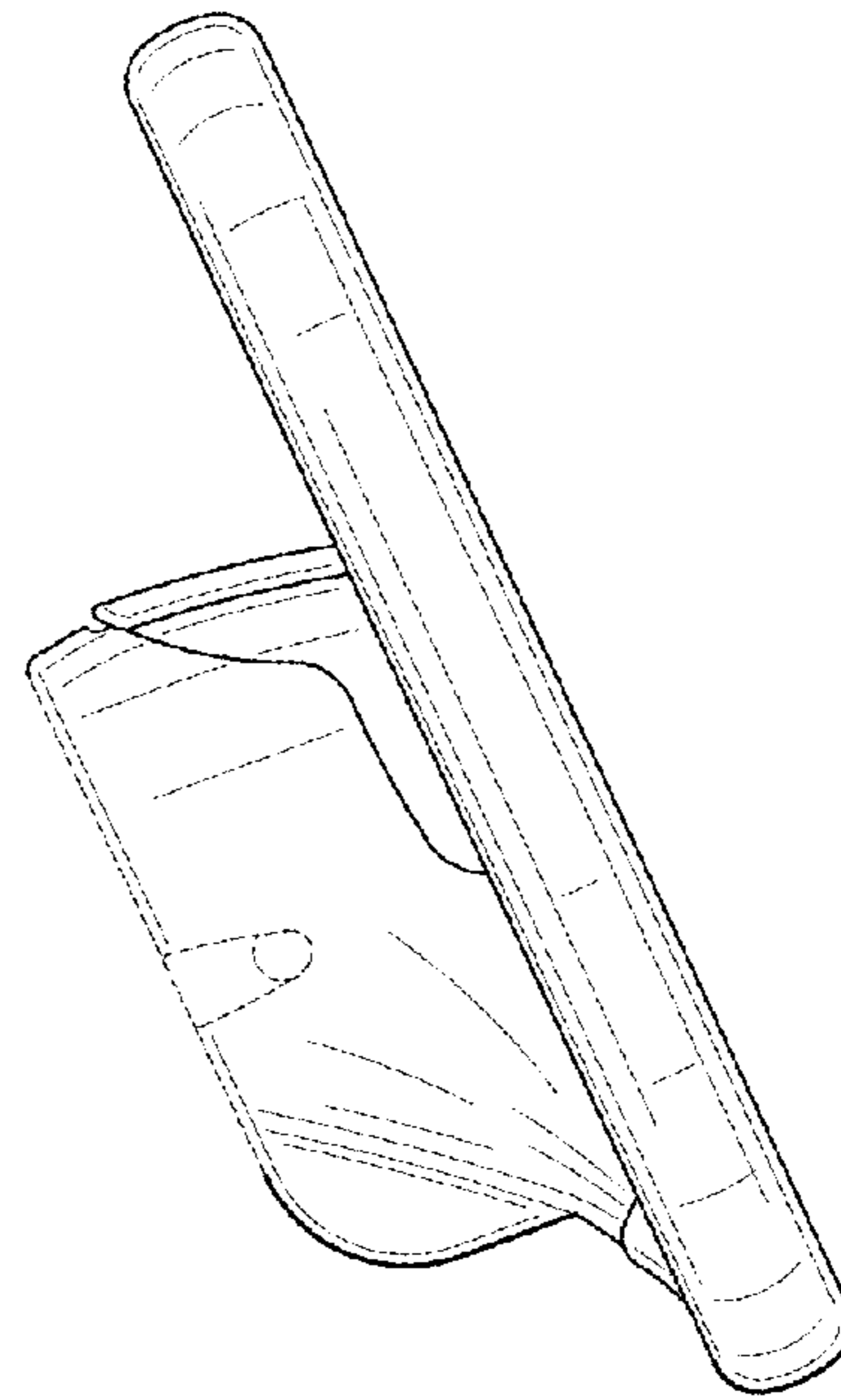


FIG. 5

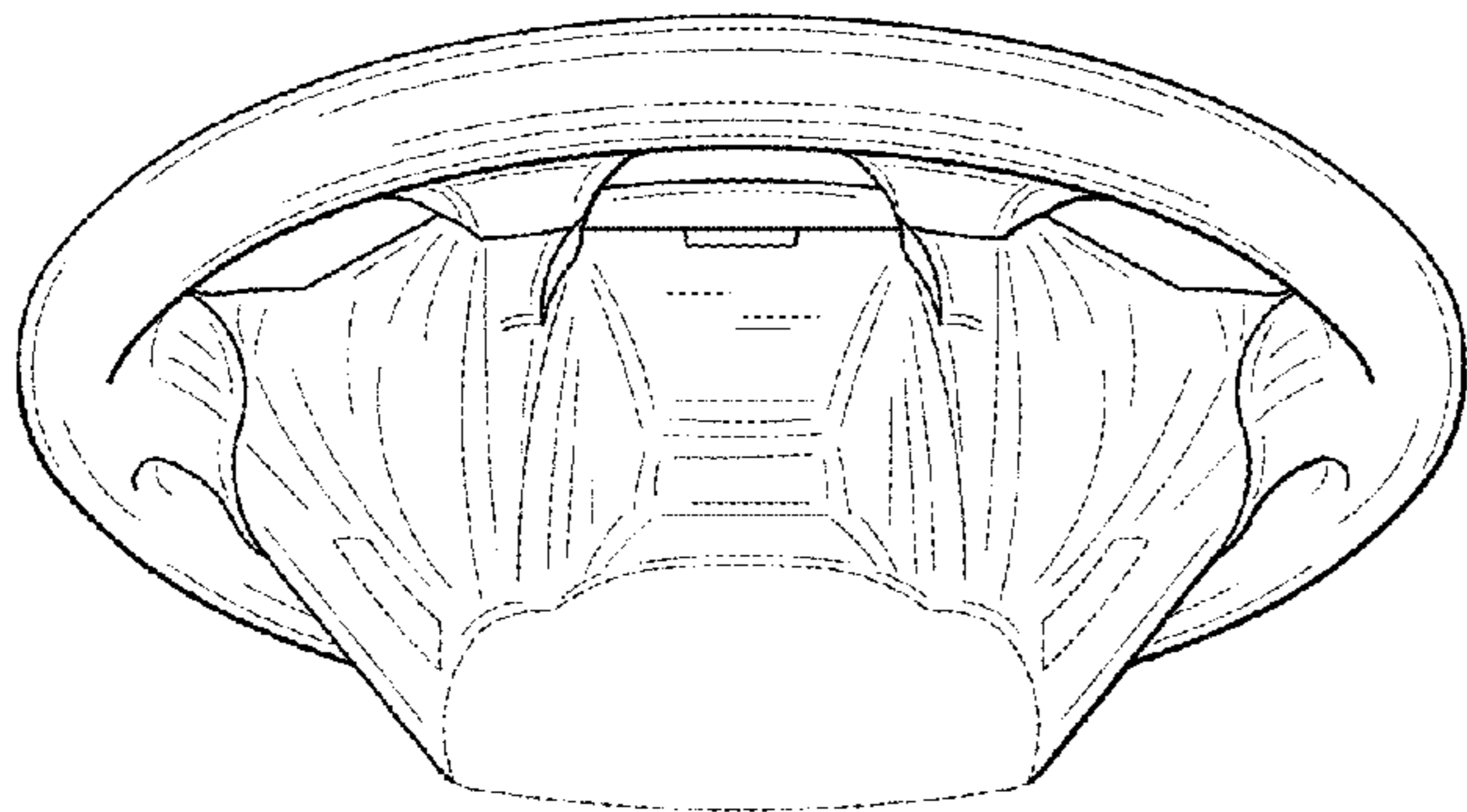


FIG. 7