



US00D758930S

(12) **United States Design Patent**  
**Messale et al.**

(10) **Patent No.:** **US D758,930 S**  
(45) **Date of Patent:** **\*\* Jun. 14, 2016**

(54) **VEHICLE FRONT UPPER BUMPER COVER**

(71) Applicant: **Ford Motor Company**, Dearborn, MI (US)

(72) Inventors: **Claudio Messale**, Cologne (DE);  
**Roberto Giachin**, Zuelpich (DE);  
**Thomas Morel**, Dusseldorf (DE);  
**Domenico Tonello**, Cologne (DE)

(73) Assignee: **Ford Motor Company**, Dearborn, MI (US)

(\*\*) Term: **14 Years**

(21) Appl. No.: **29/520,105**

(22) Filed: **Mar. 11, 2015**

(30) **Foreign Application Priority Data**

Sep. 18, 2014 (DE) ..... 40 2014 100 888

(51) **LOC (10) Cl.** ..... **12-16**

(52) **U.S. Cl.**  
USPC ..... **D12/169**

(58) **Field of Classification Search**  
USPC ..... D12/169, 216, 90-92, 86, 171, 196,  
D12/163; 293/102, 113, 115, 117, 120;  
296/180.1, 180.2  
CPC .. B60R 19/52; B60R 2019/25; B60R 25/0845  
See application file for complete search history.

(56) **References Cited**

**U.S. PATENT DOCUMENTS**

D613,650 S \* 4/2010 Tamatani ..... D12/169  
D614,094 S \* 4/2010 Lamm ..... D12/169

D616,343 S \* 5/2010 Fukui ..... D12/169  
D634,679 S \* 3/2011 Lamm ..... D12/169  
D647,440 S \* 10/2011 Murakawa ..... D12/169  
D662,866 S \* 7/2012 Fukui ..... D12/169  
D664,901 S \* 8/2012 Futschik ..... D12/169  
D664,902 S \* 8/2012 Platto ..... D12/169  
D665,711 S \* 8/2012 Matsuno ..... D12/169  
D677,200 S \* 3/2013 Hamilton ..... D12/169  
D680,922 S \* 4/2013 Jara ..... D12/169  
D695,654 S \* 12/2013 Kobayashi ..... D12/169  
D699,165 S \* 2/2014 Rupar ..... D12/169  
D701,801 S \* 4/2014 Campbell ..... D12/169  
D708,998 S \* 7/2014 Mays ..... D12/169  
D718,677 S \* 12/2014 Whang ..... D12/169  
D727,225 S \* 4/2015 Rupar ..... D12/169

\* cited by examiner

*Primary Examiner* — Melody N Brown

(74) *Attorney, Agent, or Firm* — Damina Porcari

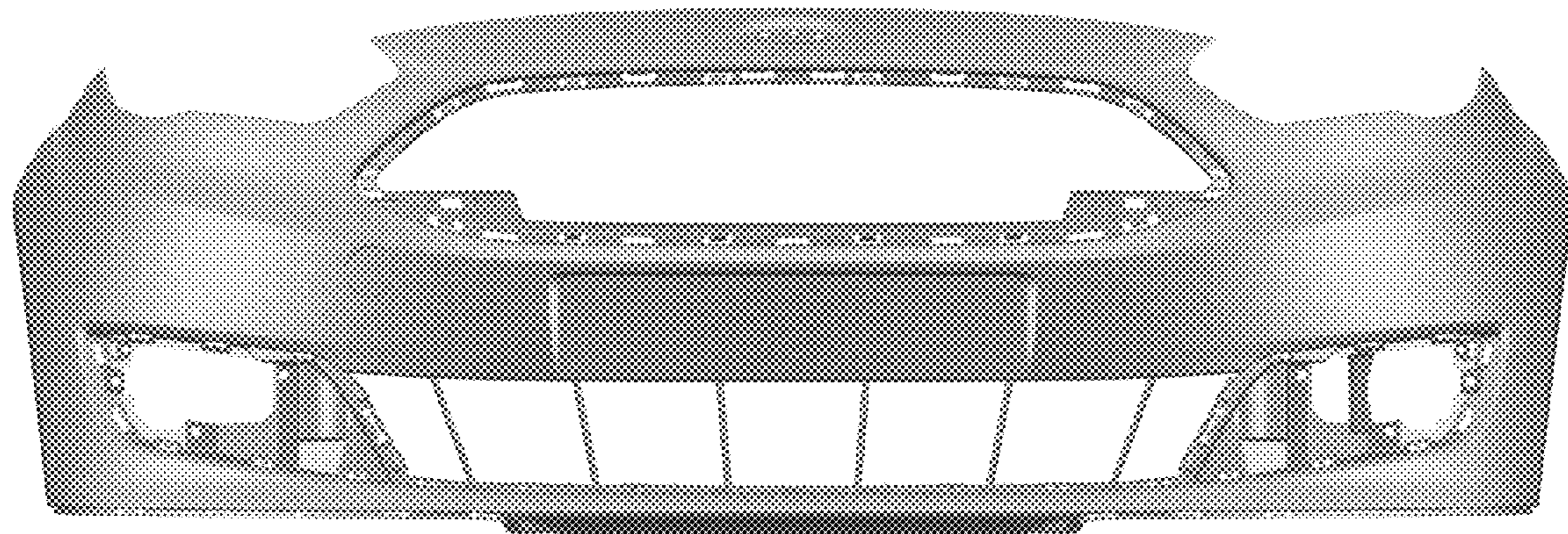
(57) **CLAIM**

The ornamental design for a vehicle front upper bumper cover, as shown and described.

**DESCRIPTION**

FIG. 1 is a top left perspective view of a vehicle front upper bumper cover;  
FIG. 2 is a top right perspective view thereof;  
FIG. 3 is a top rear perspective view thereof;  
FIG. 4 is a front elevational view thereof;  
FIG. 5 is a rear elevational view thereof;  
FIG. 6 is a left side elevational view thereof;  
FIG. 7 is a right side elevational view thereof;  
FIG. 8 is a top plan view thereof; and,  
FIG. 9 is a bottom plan view thereof.

**1 Claim, 9 Drawing Sheets**



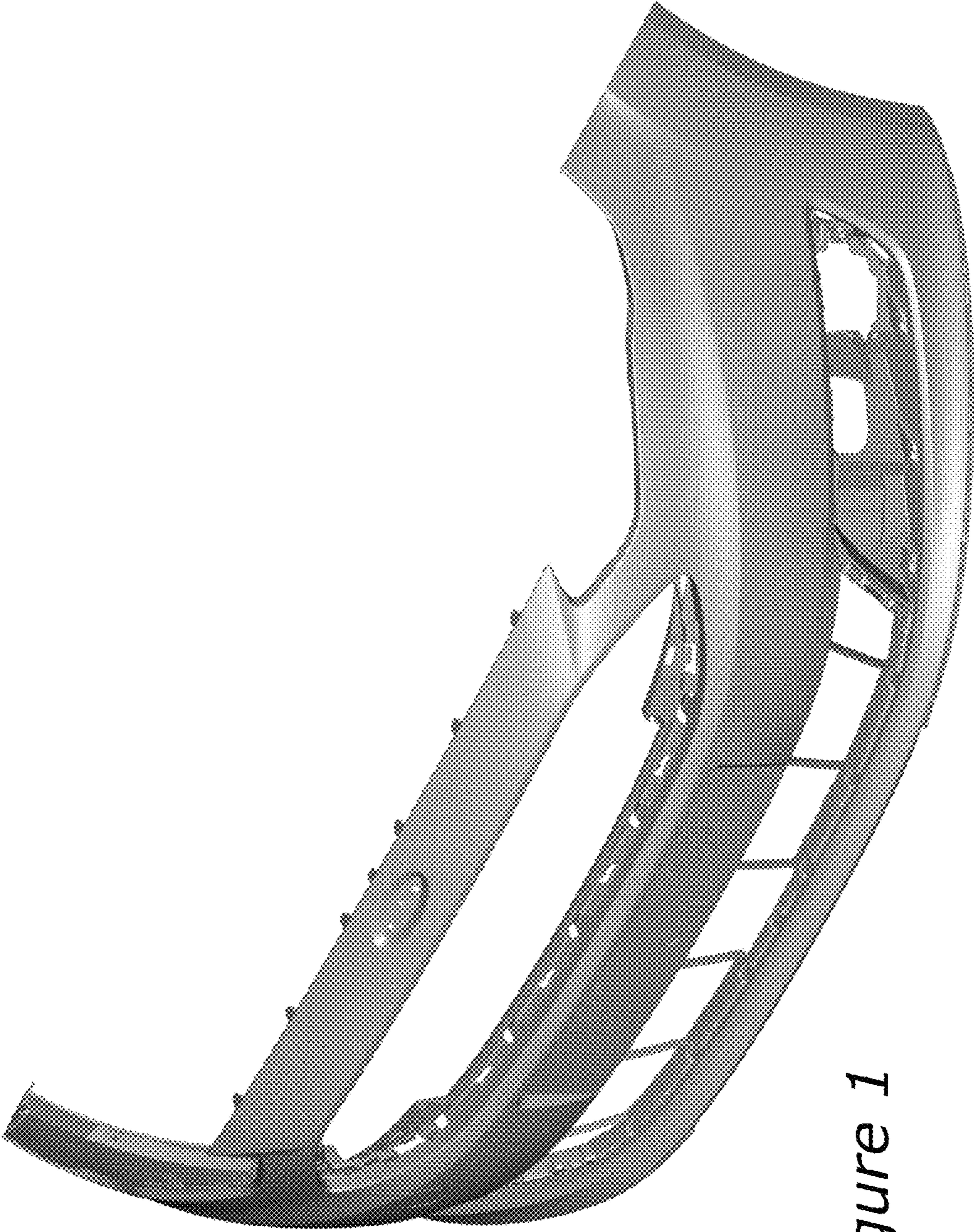


Figure 1

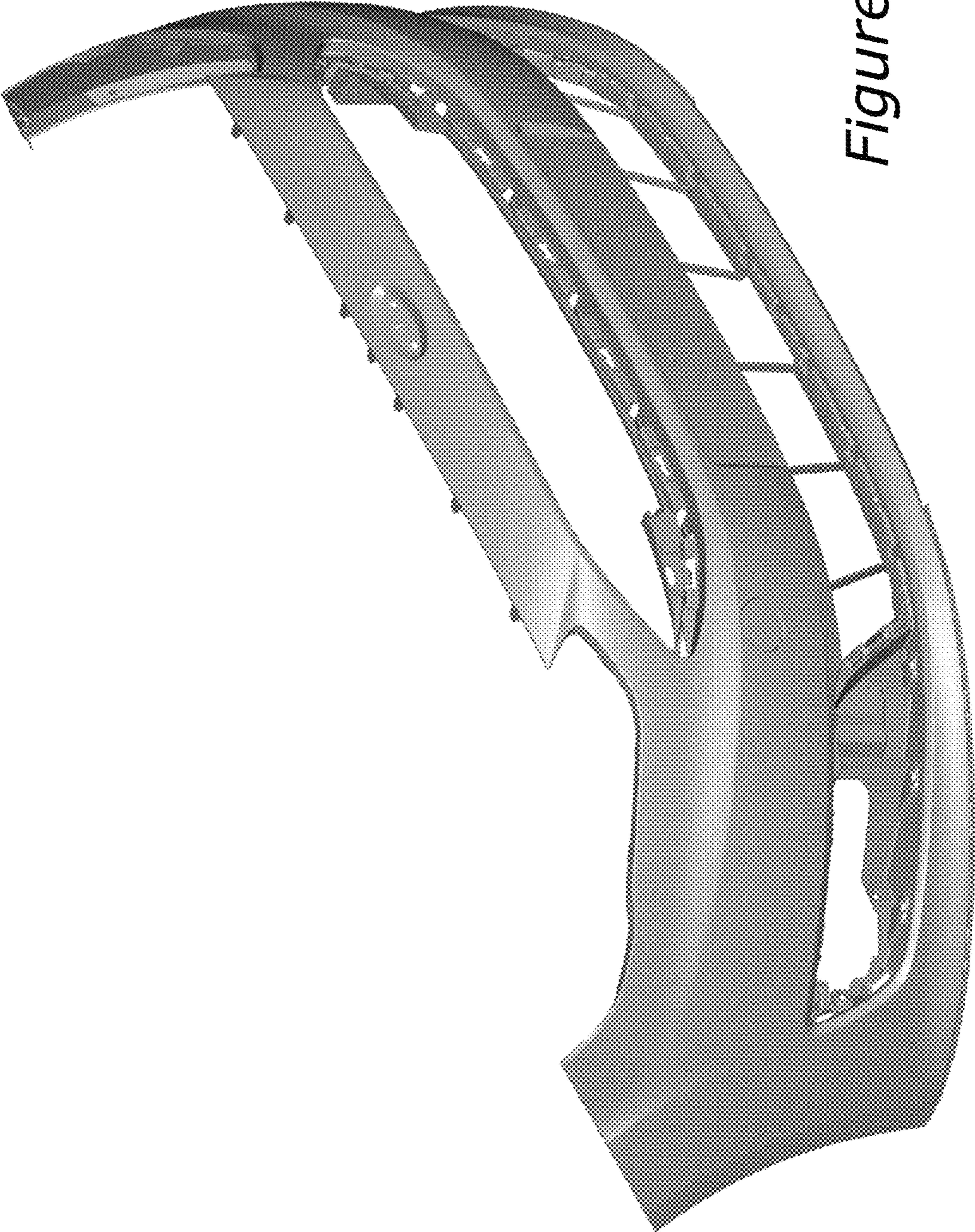


Figure 2

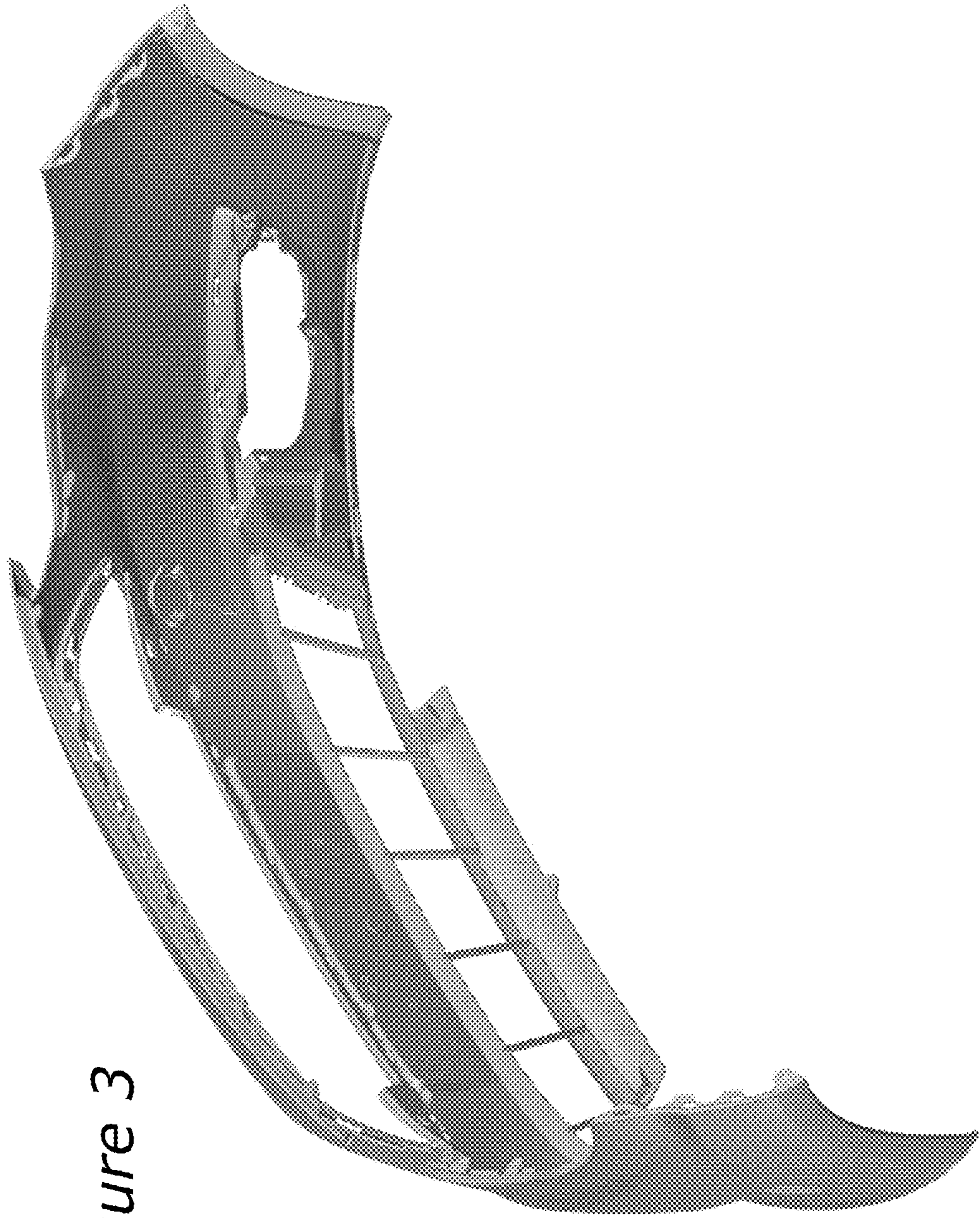


Figure 3

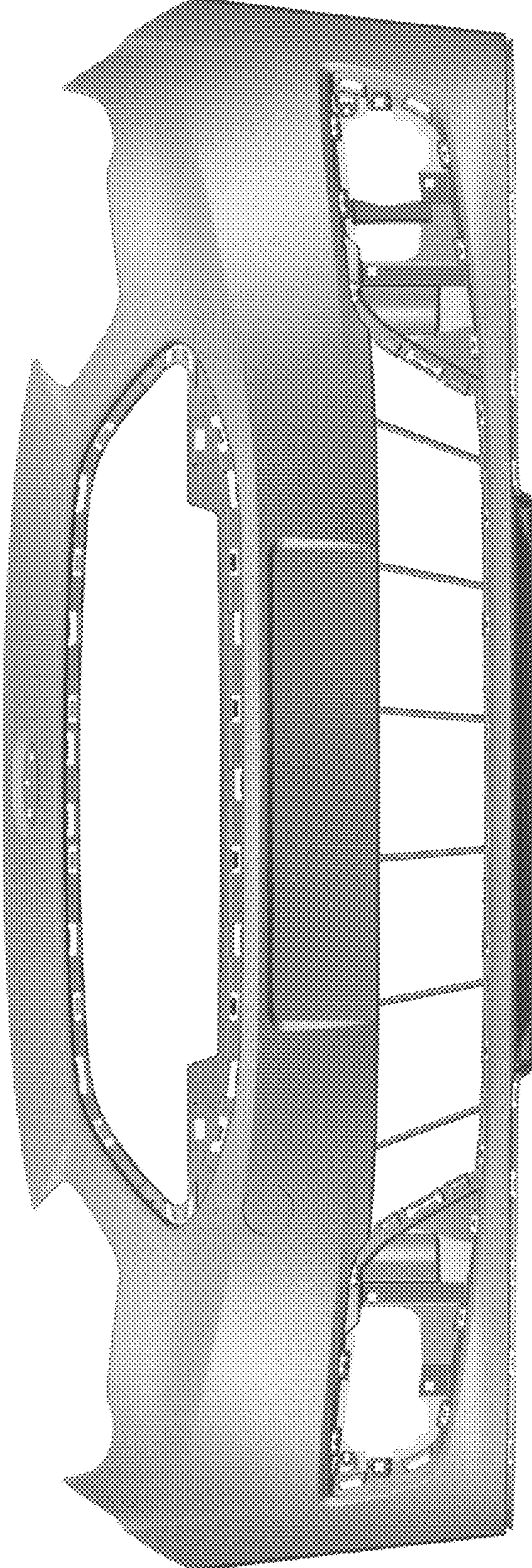


Figure 4

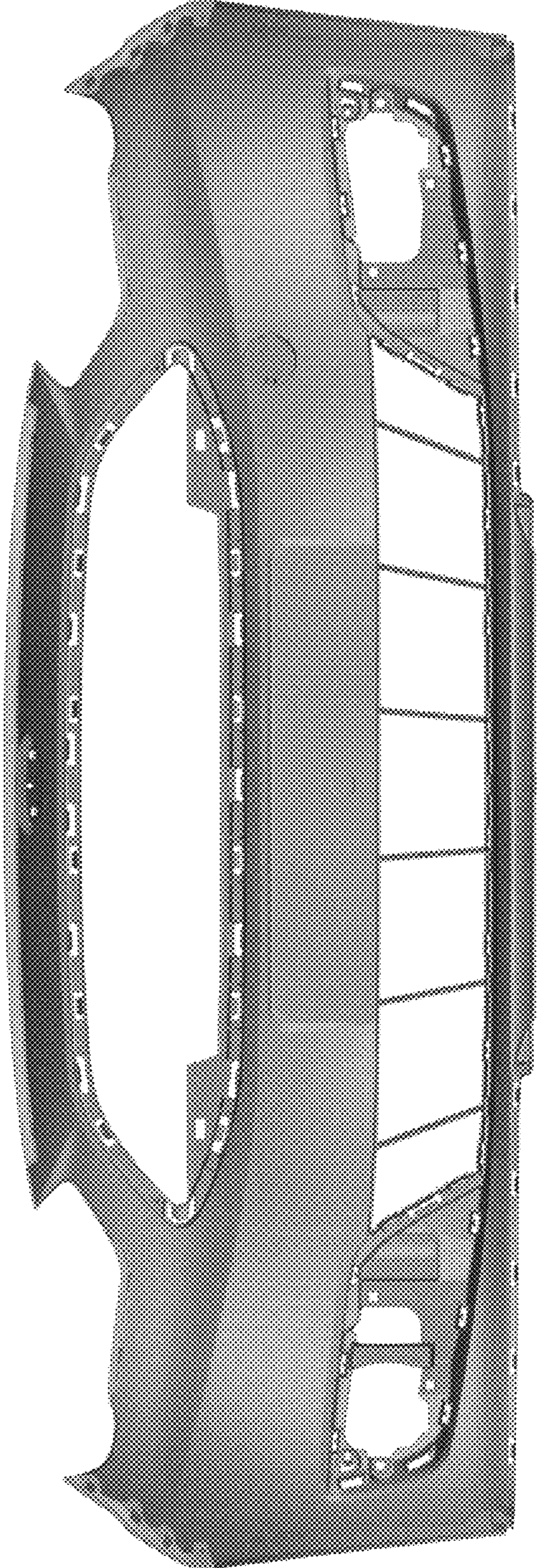


Figure 5

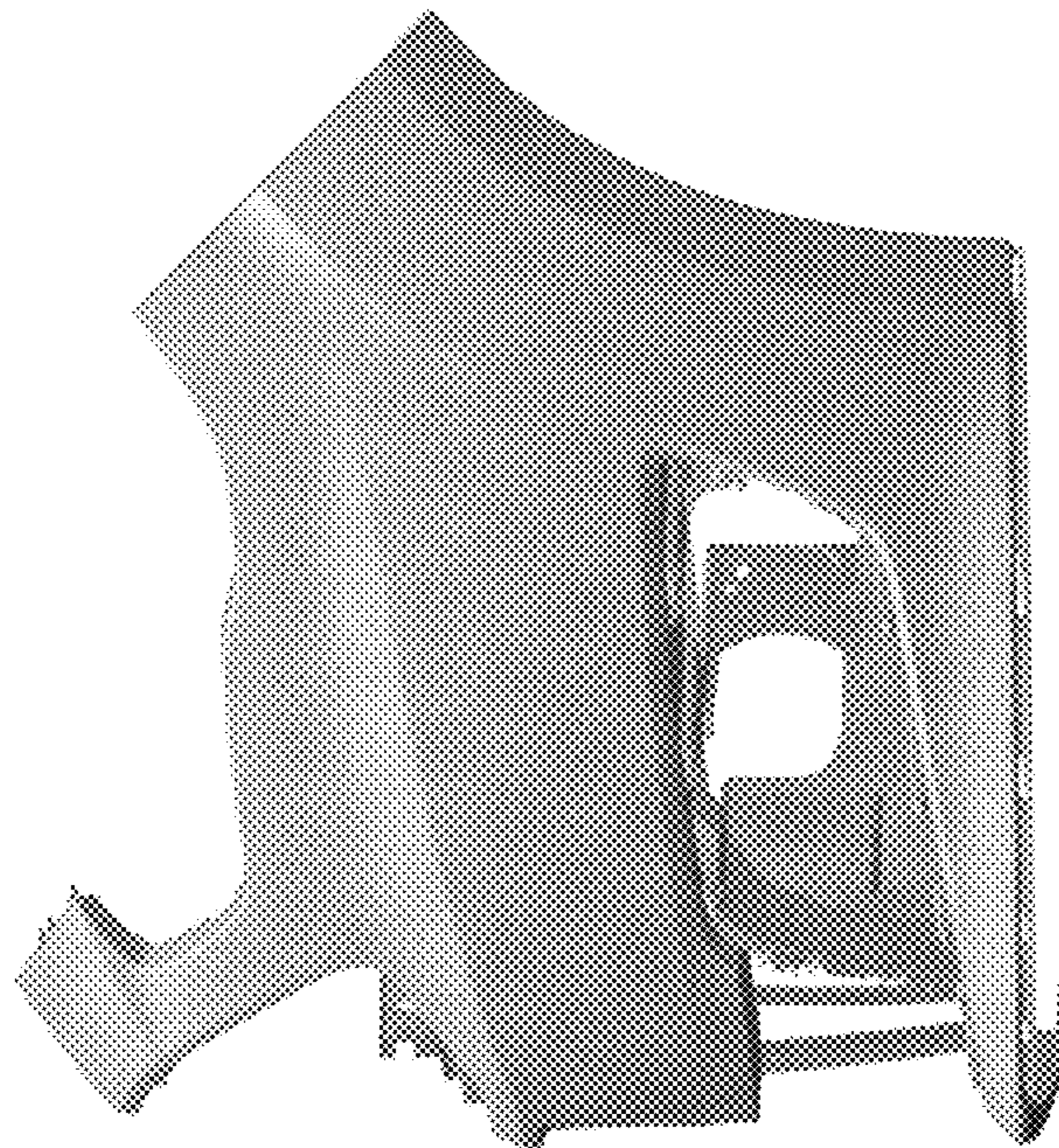


Figure 6

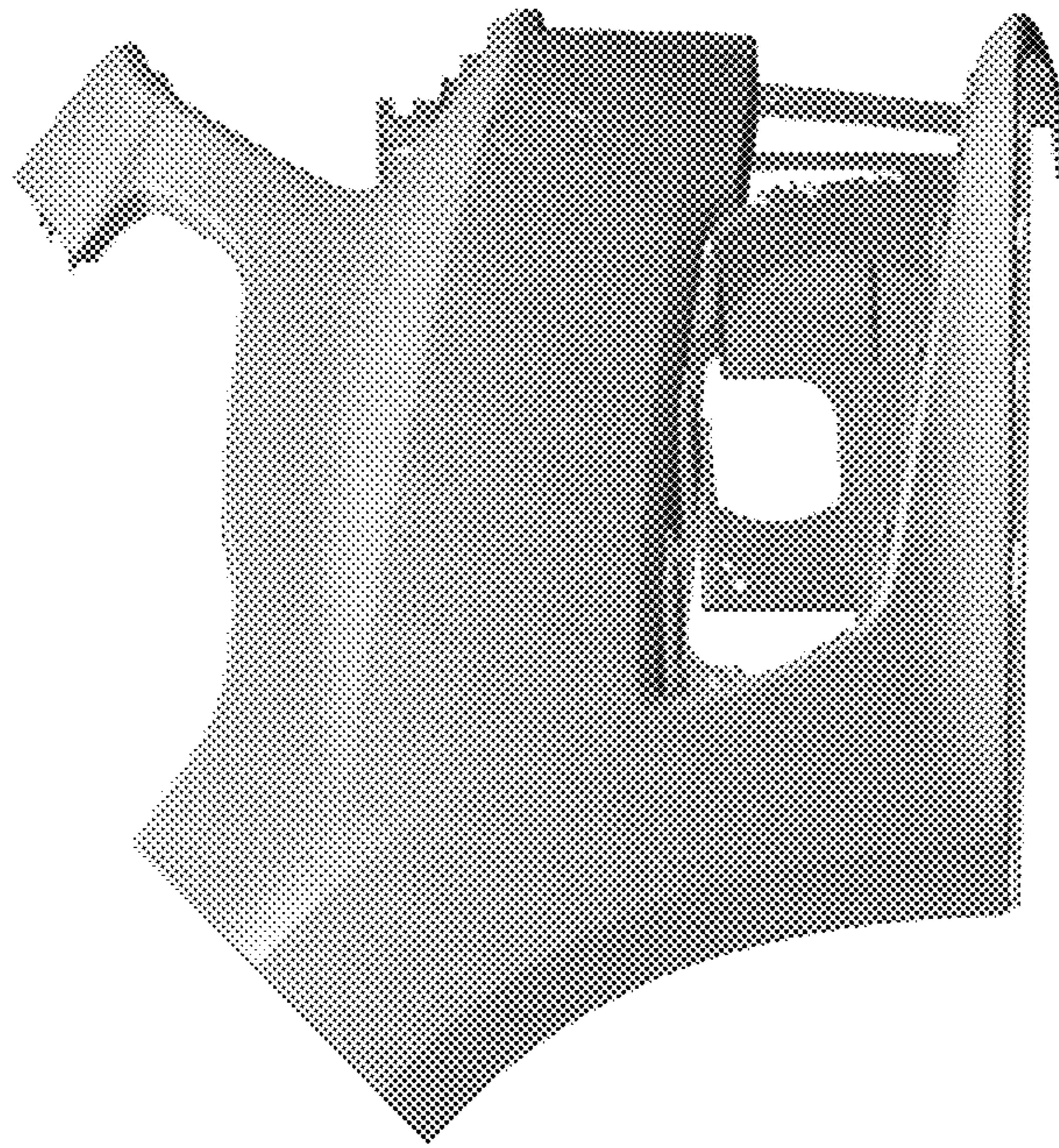


Figure 7



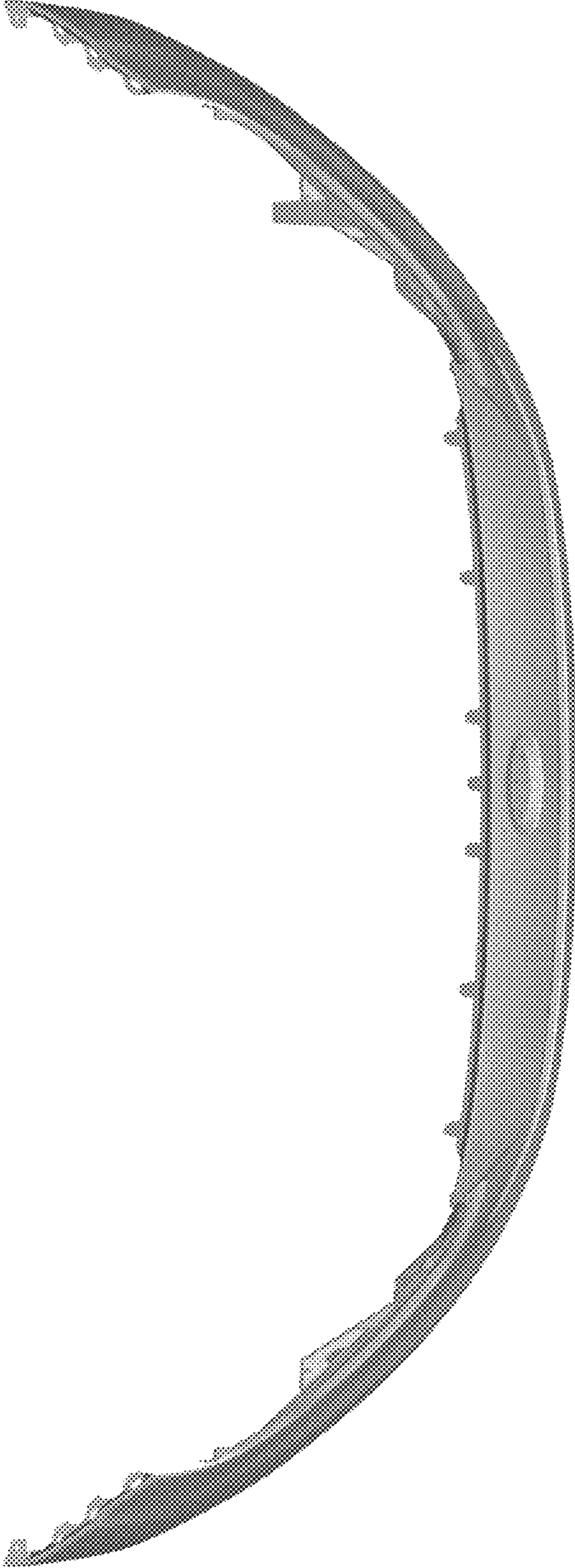


Figure 8

Figure 9

